



US00D470838S

(12) **United States Design Patent**
Kim

(10) **Patent No.:** **US D470,838 S**

(45) **Date of Patent:** **** Feb. 25, 2003**

(54) **ANTENNA AND MOUNT**

(76) **Inventor:** **Yonggun Kim**, 11000 NE. 10th St. Apt.
107, Bellevue, WA (US) 98004

(**) **Term:** **14 Years**

(21) **Appl. No.:** **29/159,566**

(22) **Filed:** **Apr. 23, 2002**

(51) **LOC (7) Cl.** **14-03**

(52) **U.S. Cl.** **D14/234; D14/238**

(58) **Field of Search** D14/230-238,
D14/299; 343/711-717, 702, 720, 900,
901, 907, 872, 873, 878, 879; 455/90, 128,
347, 562; D12/42, 43, 400

(56) **References Cited**

U.S. PATENT DOCUMENTS

- 3,544,140 A * 12/1970 Langcheck 343/715
- 3,579,241 A * 5/1971 Antista et al. 343/901
- 4,184,162 A * 1/1980 Grashow 343/715
- 4,282,526 A * 8/1981 Alf et al. 343/715

- D367,481 S * 2/1996 Bacnik D14/230
- 5,861,851 A * 1/1999 Chang 343/702
- D442,170 S * 5/2001 Mou D14/238

* cited by examiner

Primary Examiner—Louis S. Zarfaz

Assistant Examiner—Deanne Levy

(74) *Attorney, Agent, or Firm*—Jensen & Puntigam, P.S.

(57) **CLAIM**

The ornamental design for an antenna and mount, as shown and described.

DESCRIPTION

FIG. 1 is an isometric view of the antenna and support showing our new design;
 FIG. 2 is a front elevation thereof;
 FIG. 3 is a first side elevation thereof;
 FIG. 4 is a second side elevation thereof;
 FIG. 5 is a top view thereof; and,
 FIG. 6 is a bottom view thereof.

1 Claim, 3 Drawing Sheets

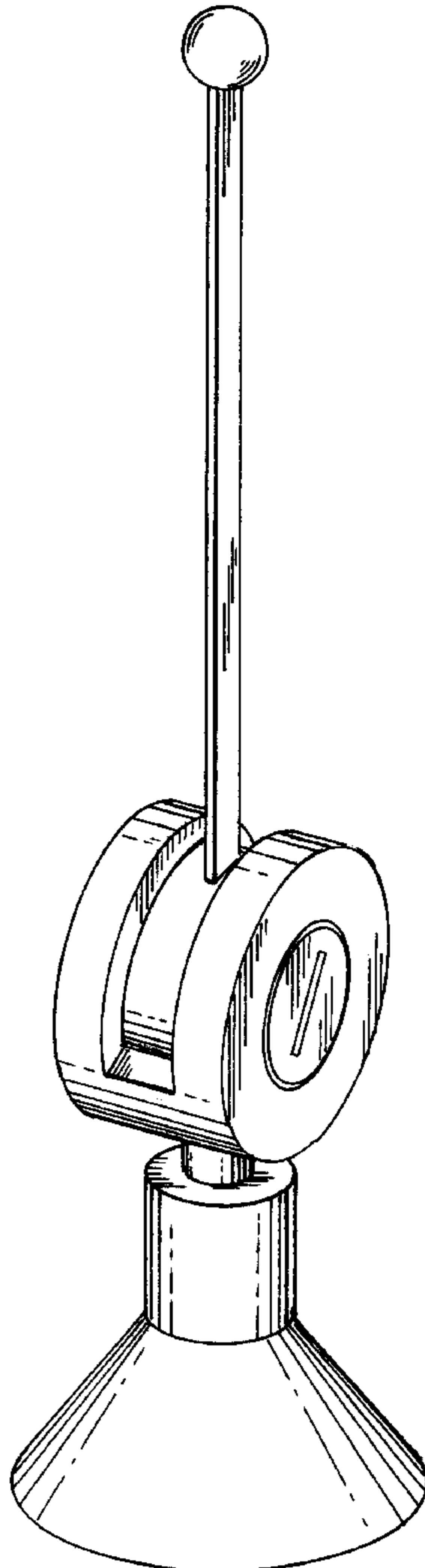


FIG. 1

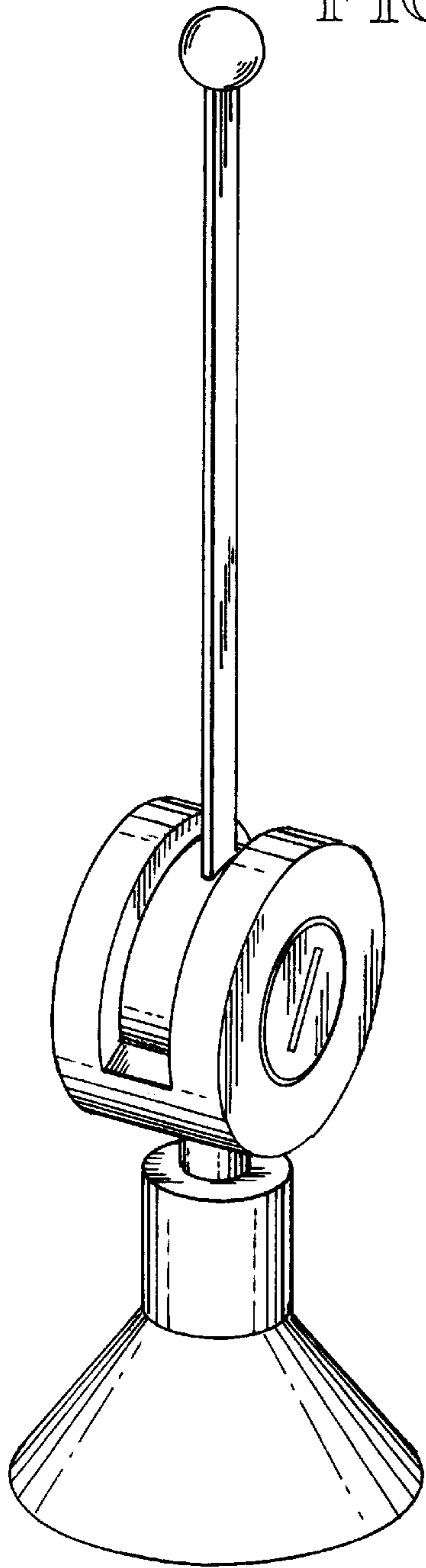
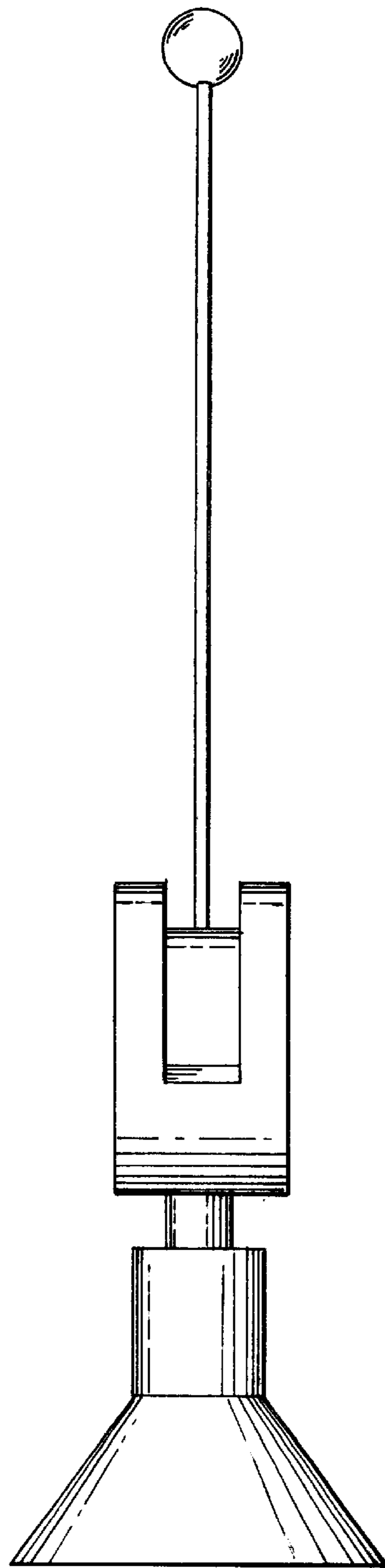


FIG. 2



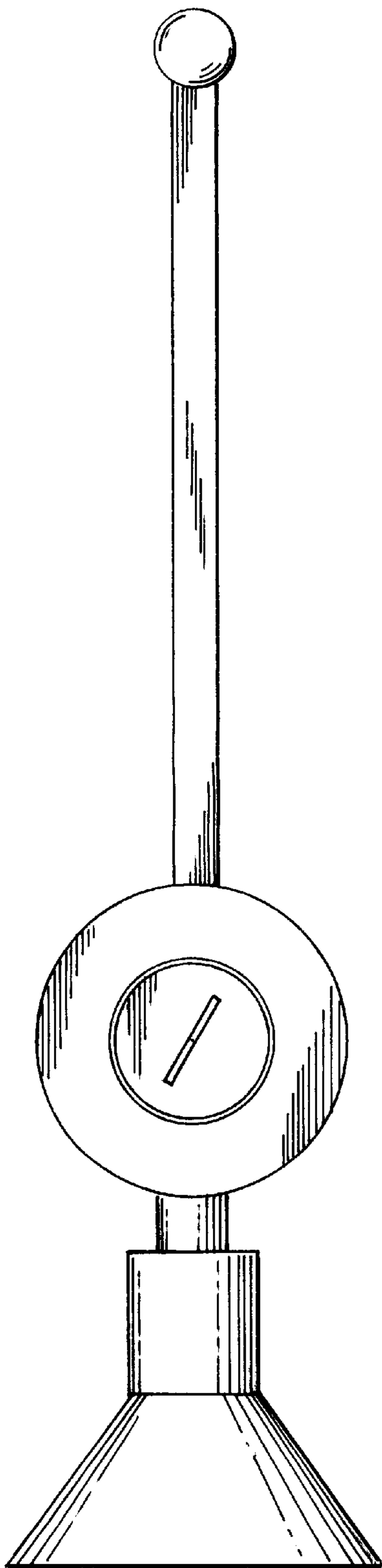


FIG. 3

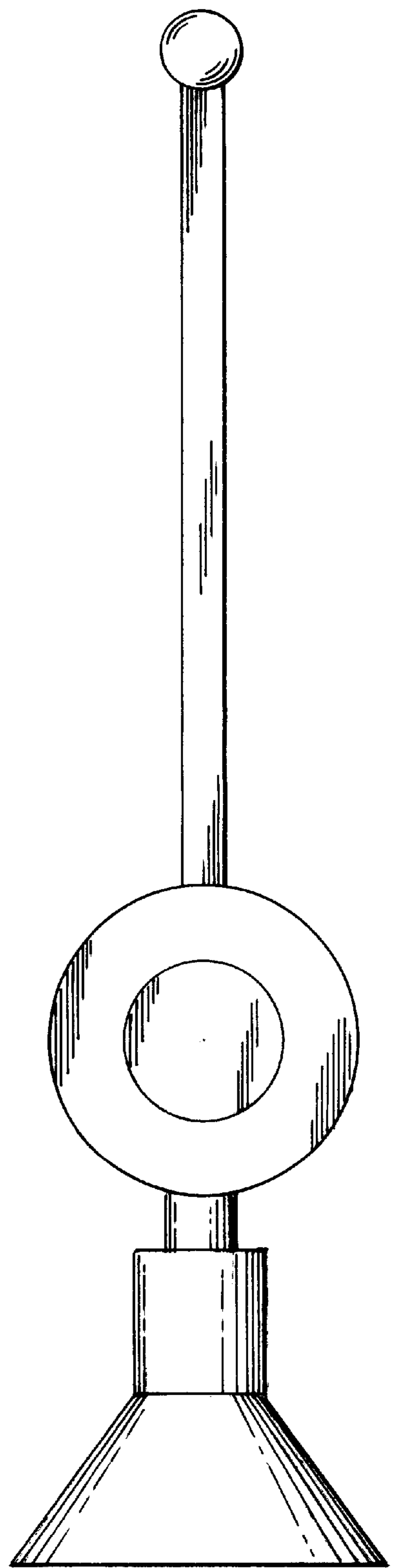


FIG. 4

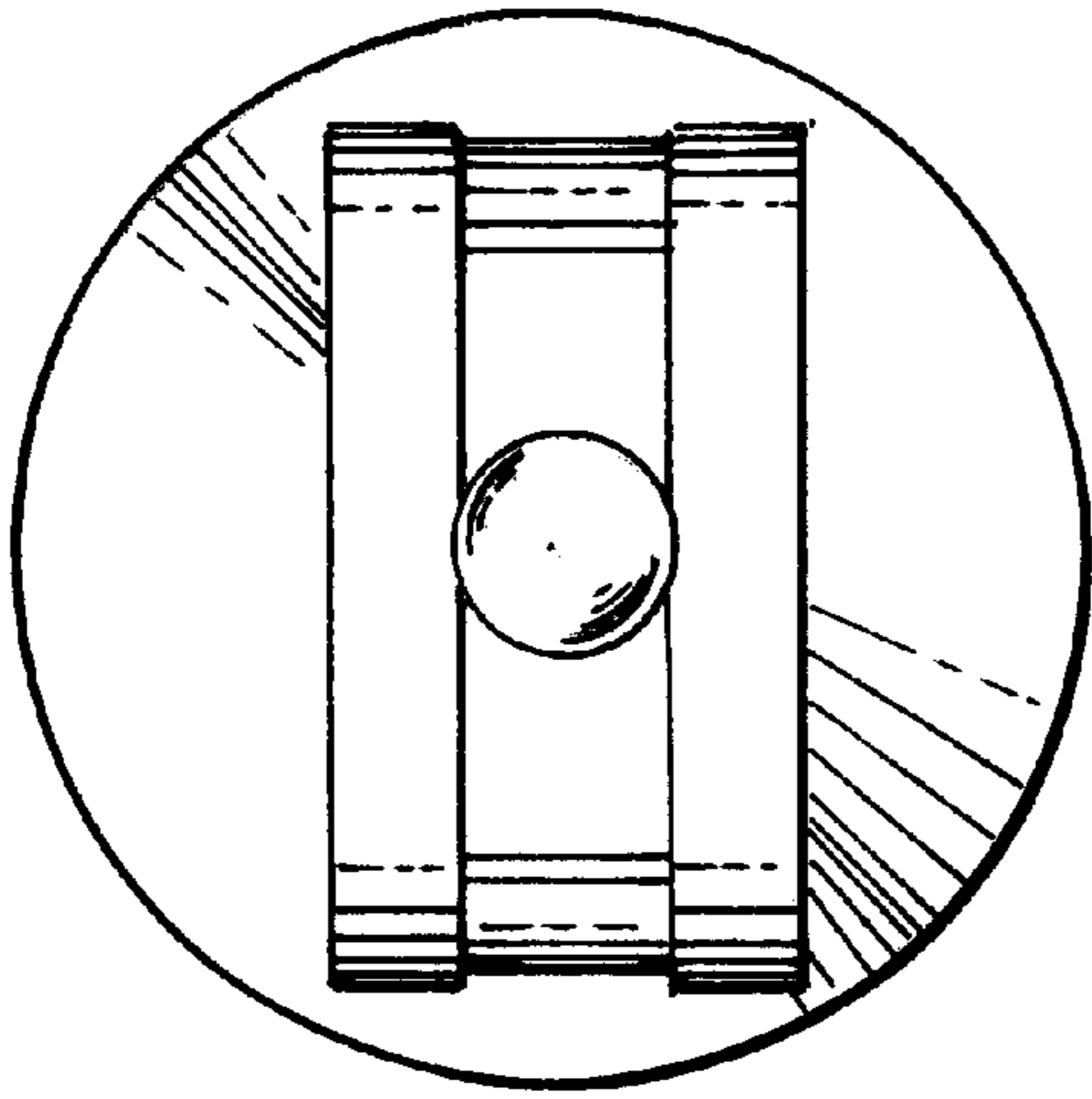


FIG. 5

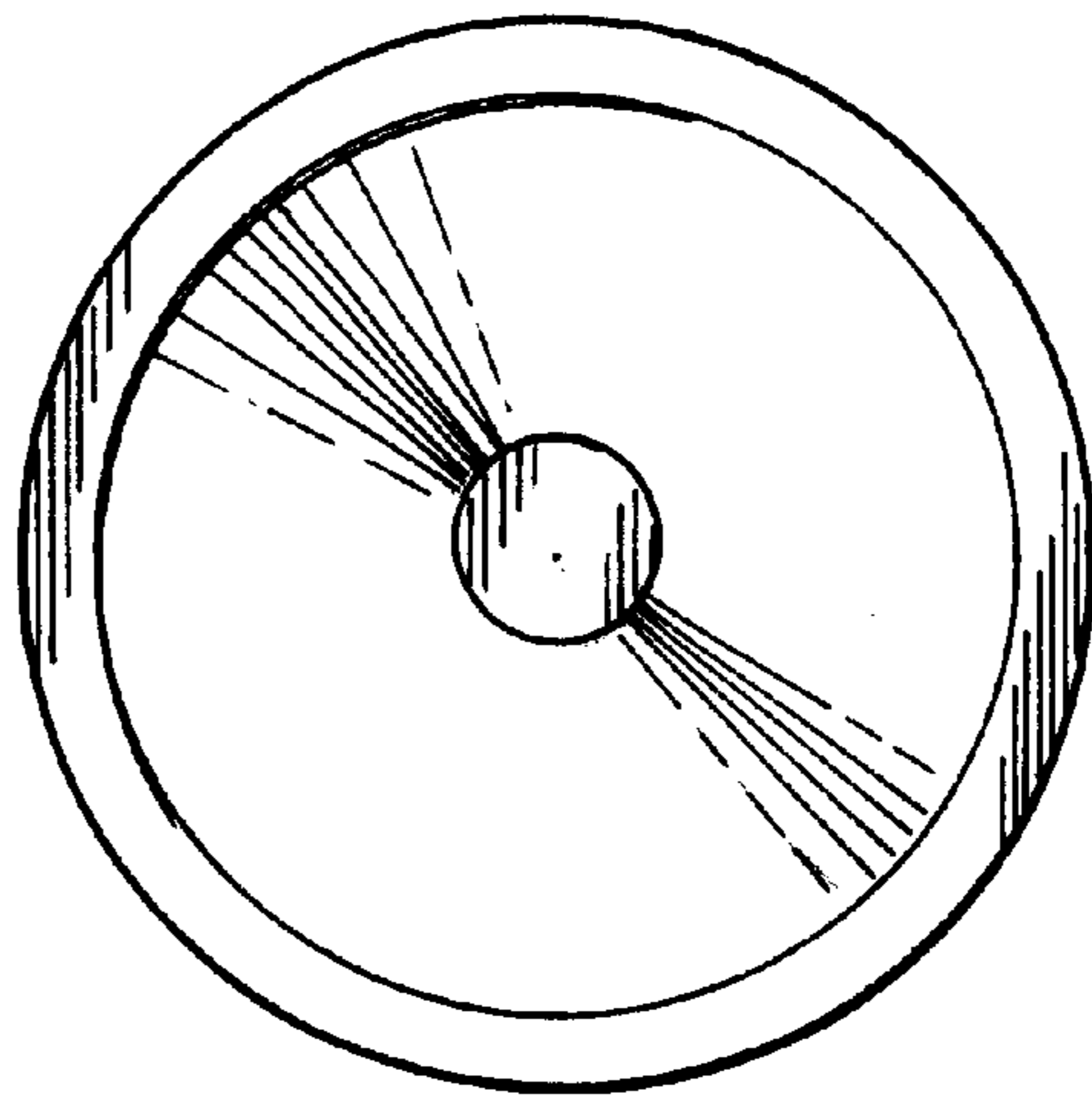


FIG. 6