



US00D470837S

(12) **United States Design Patent**
Tourres

(10) **Patent No.:** **US D470,837 S**

(45) **Date of Patent:** **** Feb. 25, 2003**

- (54) **WATERPROOF, MULTI-USE ANTENNA**
- (75) Inventor: **Benoit Tourres**, Porchester (GB)
- (73) Assignee: **Continental Technologies & Investments Ltd.**, Fareham (GB)
- (**) Term: **14 Years**
- (21) Appl. No.: **29/148,370**
- (22) Filed: **Sep. 18, 2001**
- (51) **LOC (7) Cl.** **14-03**
- (52) **U.S. Cl.** **D14/230**
- (58) **Field of Search** D14/230-238,
D14/299; 343/795, 872, 873; 455/90, 128,
347, 562

- (56) **References Cited**
- U.S. PATENT DOCUMENTS**
- D343,623 S * 1/1994 Takizawa D14/230
- D379,356 S * 5/1997 Liu et al. D14/230
- D416,561 S * 11/1999 Godar D14/230

D427,181 S * 6/2000 Engwall D14/230
 6,204,824 B1 * 3/2001 Davi et al. 343/803

* cited by examiner

Primary Examiner—Louis S. Zarfaz
Assistant Examiner—Deanne Levy

(74) *Attorney, Agent, or Firm*—Webb Ziesenheim Logsdon Orkin & Hanson, P.C.

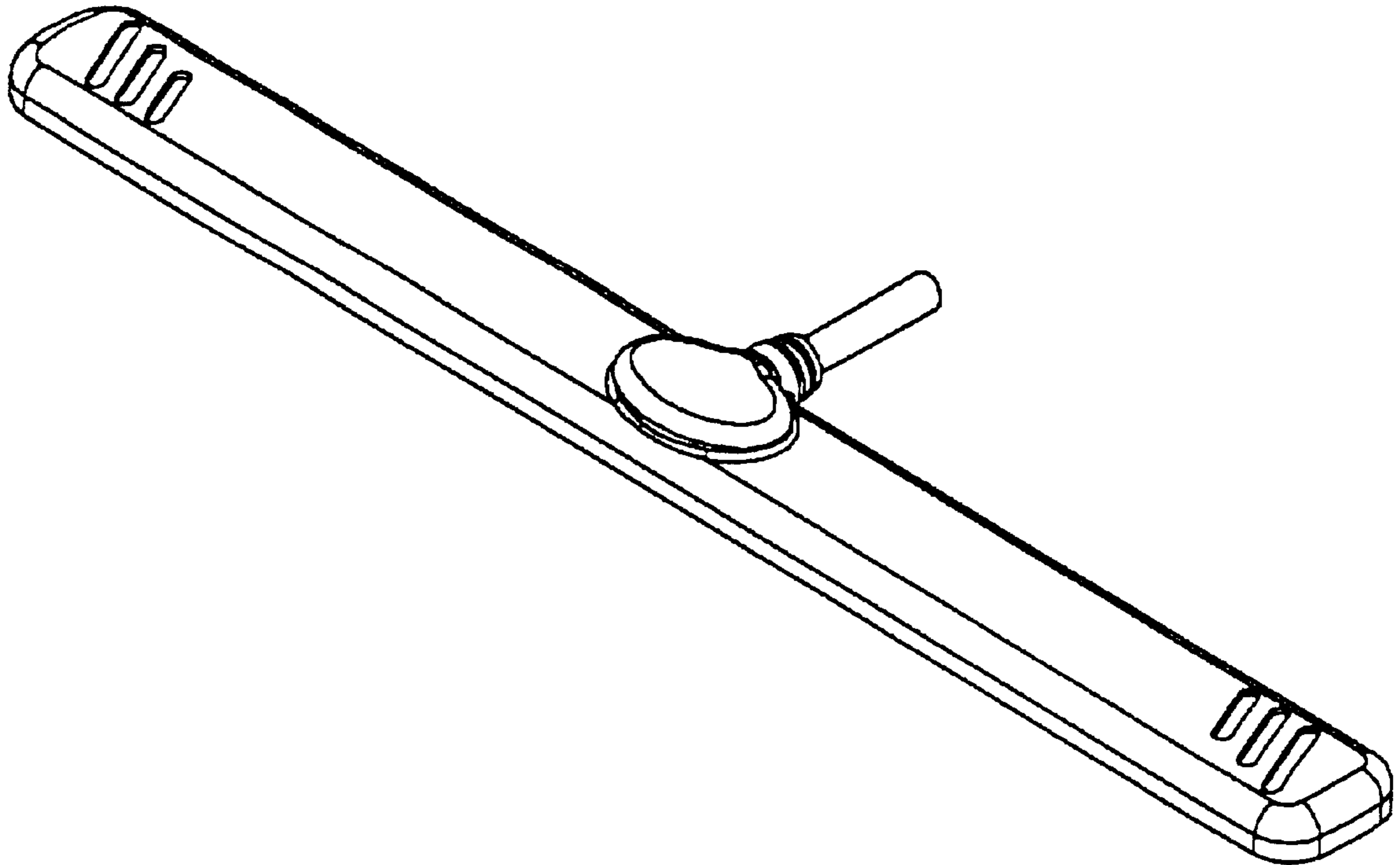
(57) **CLAIM**

The ornamental design for a waterproof, multi-use antenna, as shown and described.

DESCRIPTION

FIG. 1 is a perspective view of a glass mountable antenna showing the new ornamental design;
 FIG. 2 is a top plan view thereof;
 FIG. 3 is a front side elevational view thereof;
 FIG. 4 is a left end elevational view thereof, the right end elevational view being a mirror image thereof;
 FIG. 5 is a bottom plan view thereof; and,
 FIG. 6 is a rear side elevational view thereof.

1 Claim, 3 Drawing Sheets



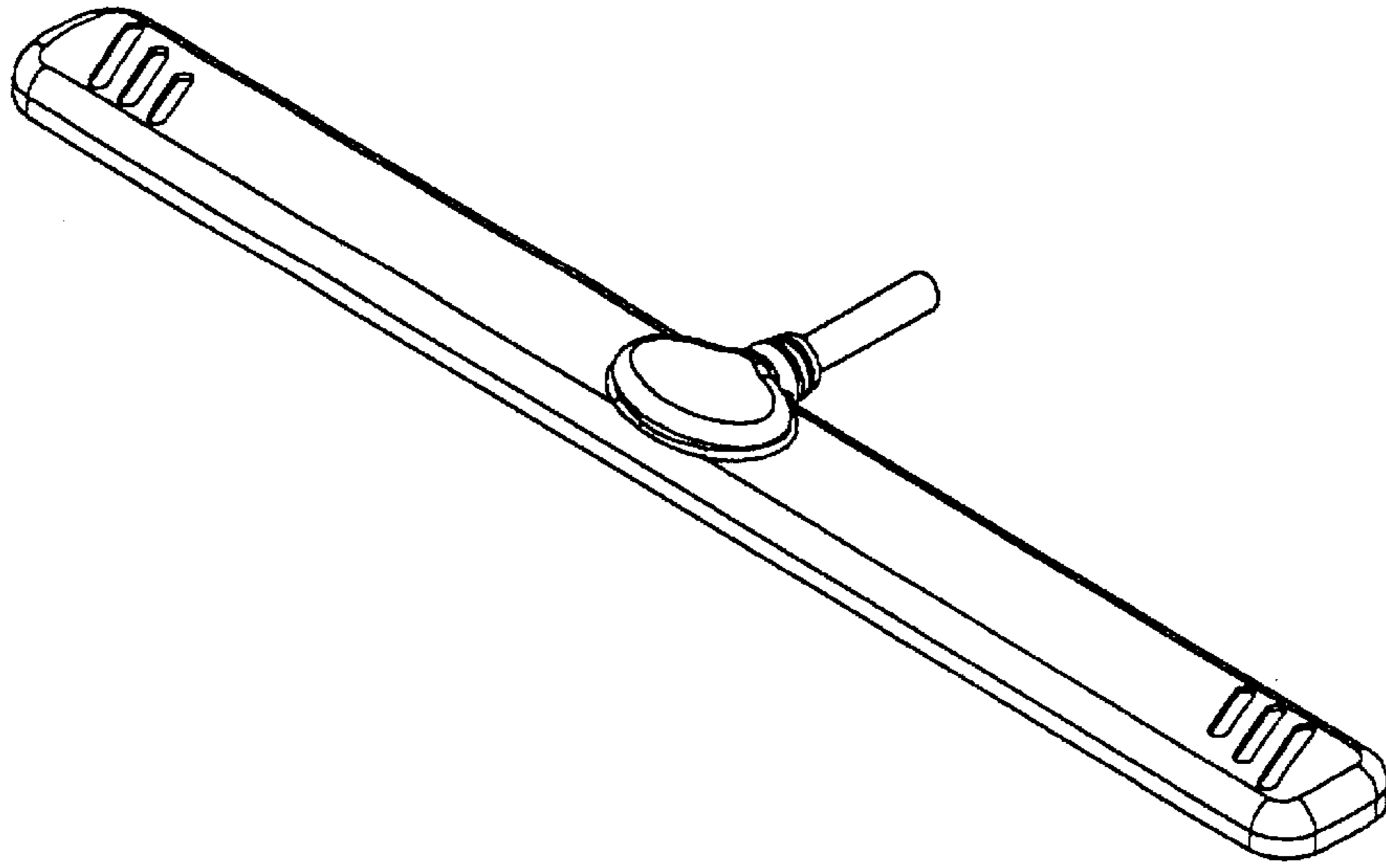


Fig. 1

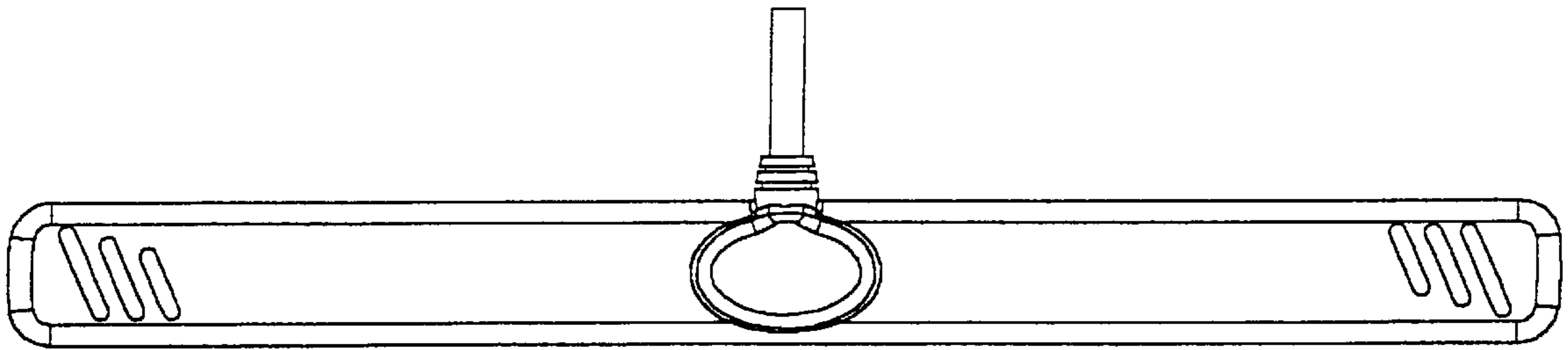


Fig. 2

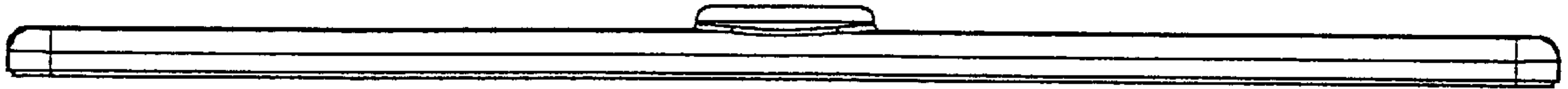


Fig. 3



Fig. 4

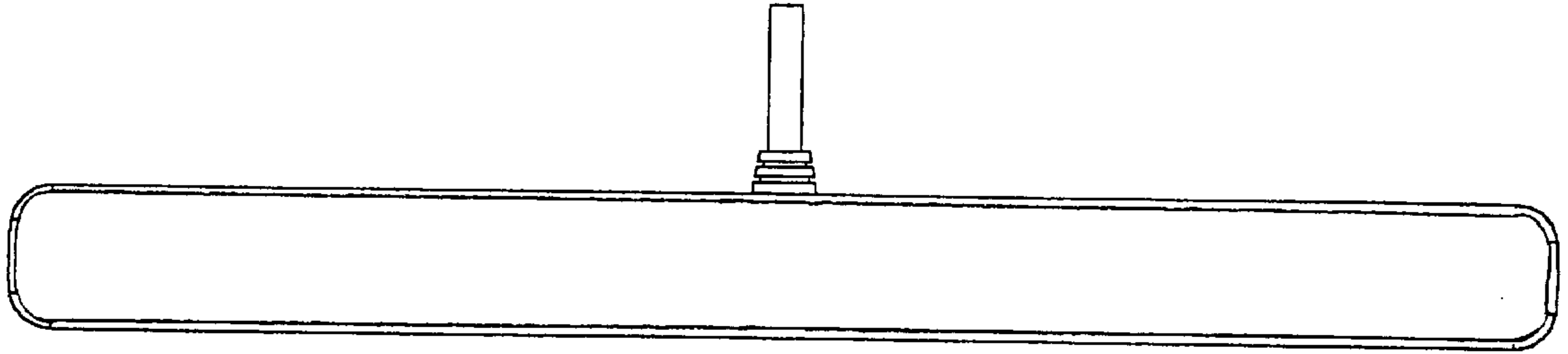


Fig. 5



Fig. 6