



US00D470831S

(12) **United States Design Patent**  
**Zeitman**

(10) **Patent No.:** **US D470,831 S**

(45) **Date of Patent:** **\*\* Feb. 25, 2003**

(54) **CD PLAYER**

(75) **Inventor:** **Josh Zeitman, Brooklyn, NY (US)**

(73) **Assignee:** **Lenoxx Electronics Corp., Brooklyn, NY (US)**

(\*\*) **Term:** **14 Years**

(21) **Appl. No.:** **29/152,236**

(22) **Filed:** **Dec. 19, 2001**

(51) **LOC (7) Cl. .... 14-01**

(52) **U.S. Cl. .... D14/156**

(58) **Field of Search** ..... D14/135-136,  
D14/156-157, 167-168, 188, 193-198,  
257-258; 369/75.1, 75.2, 77.1, 77.2; 455/344,  
347, 350-351

(56) **References Cited**

**U.S. PATENT DOCUMENTS**

5,864,533 A \* 1/1999 Yamada et al. .... 369/247

D431,544 S \* 10/2000 Kobayashi ..... D14/156  
D451,489 S \* 12/2001 Martres ..... D14/156  
D451,490 S \* 12/2001 Martres ..... D14/156

\* cited by examiner

*Primary Examiner*—Nanda Bondade

(74) *Attorney, Agent, or Firm*—Burns, Doane, Swecker & Mathis, L.L.P.

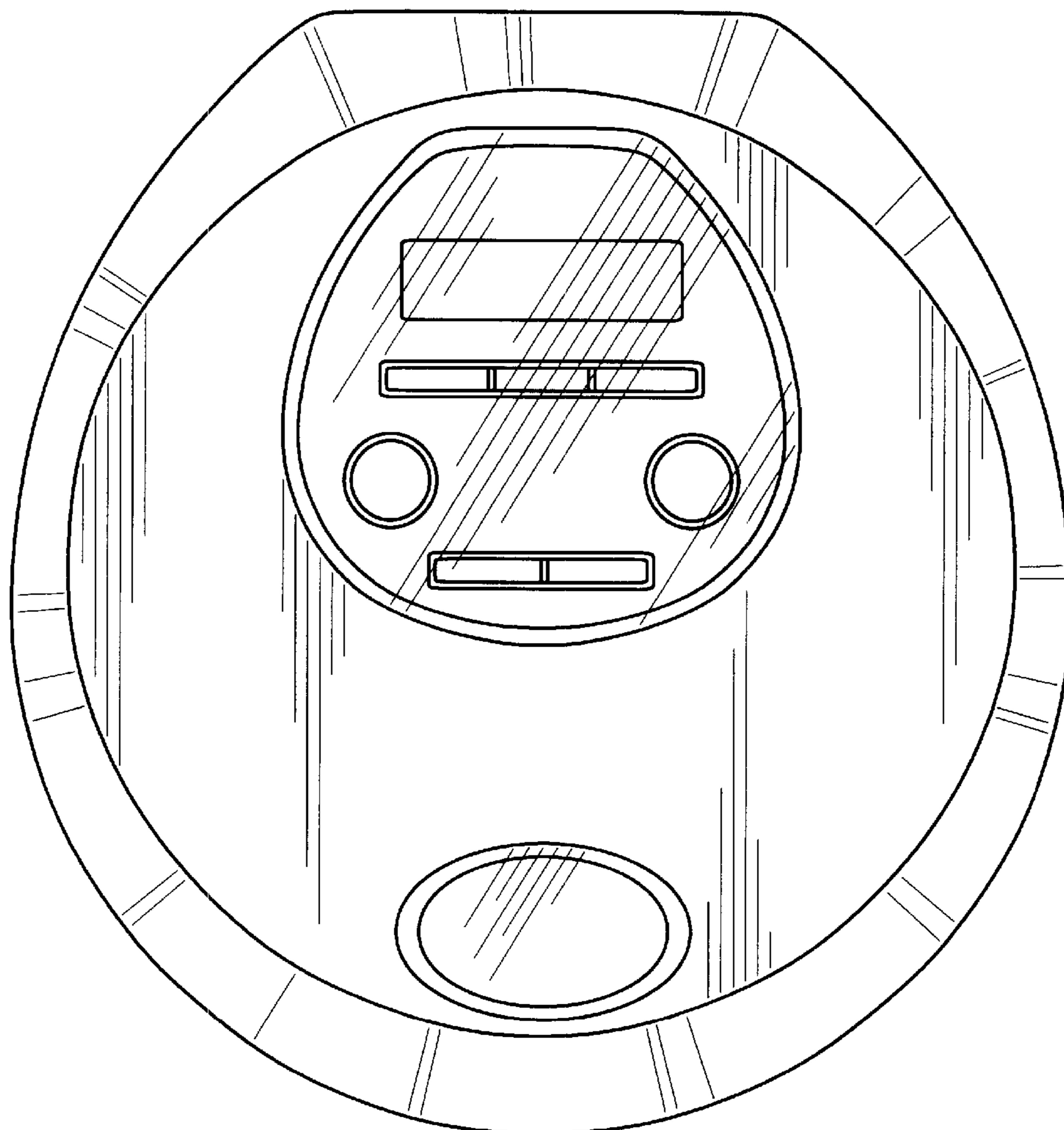
(57) **CLAIM**

The ornamental design for a “CD player”, as shown and described.

**DESCRIPTION**

FIG. 1 is a front view of a “CD player” showing my design; FIG. 2 is a rear view thereof; FIG. 3 is a left side view thereof; FIG. 4 is a right side view thereof; FIG. 5 is a top plan view thereof; and, FIG. 6 is a bottom view thereof.

**1 Claim, 4 Drawing Sheets**



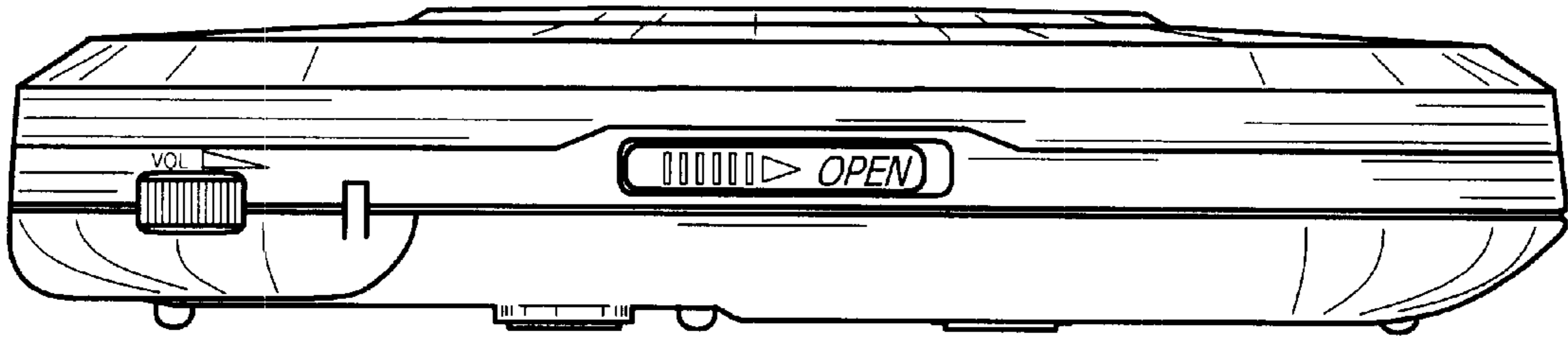


FIG. 1

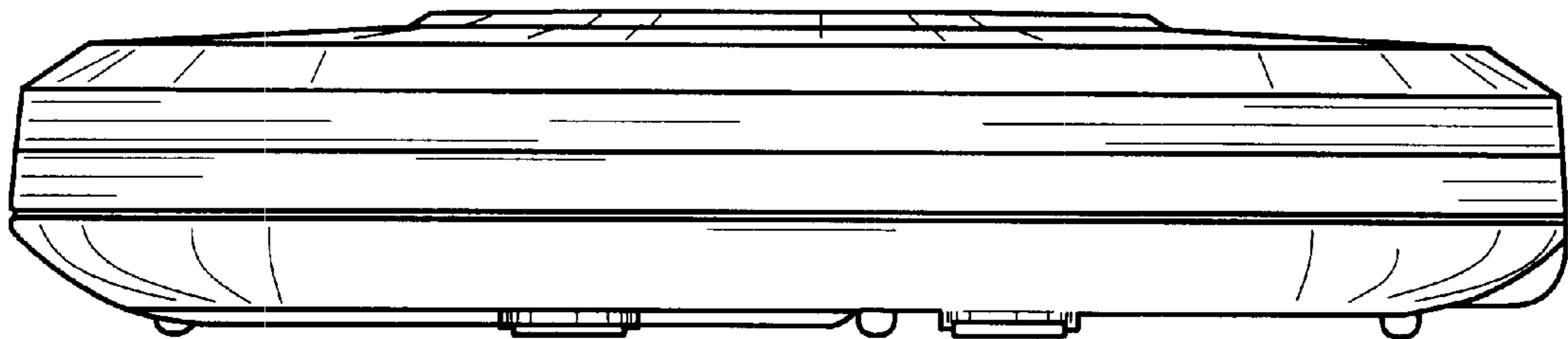


FIG. 2

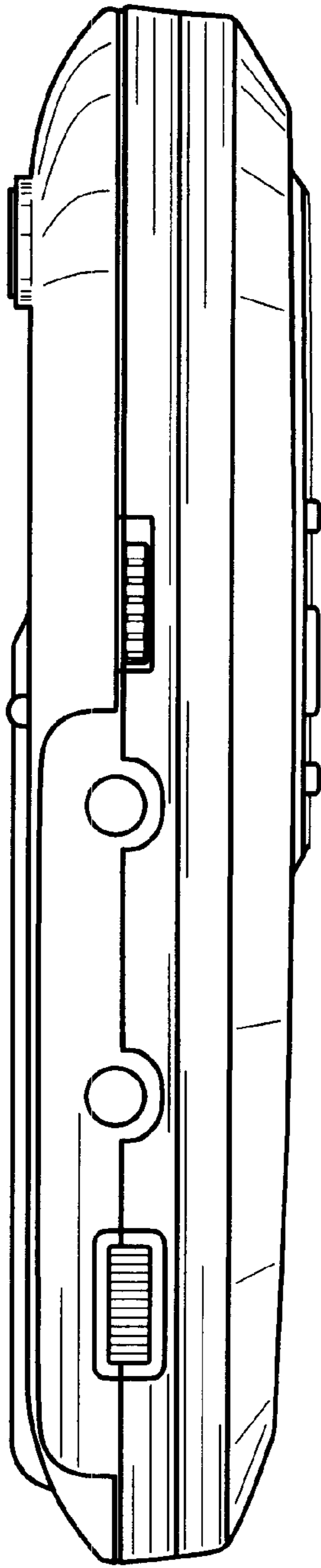


FIG. 3

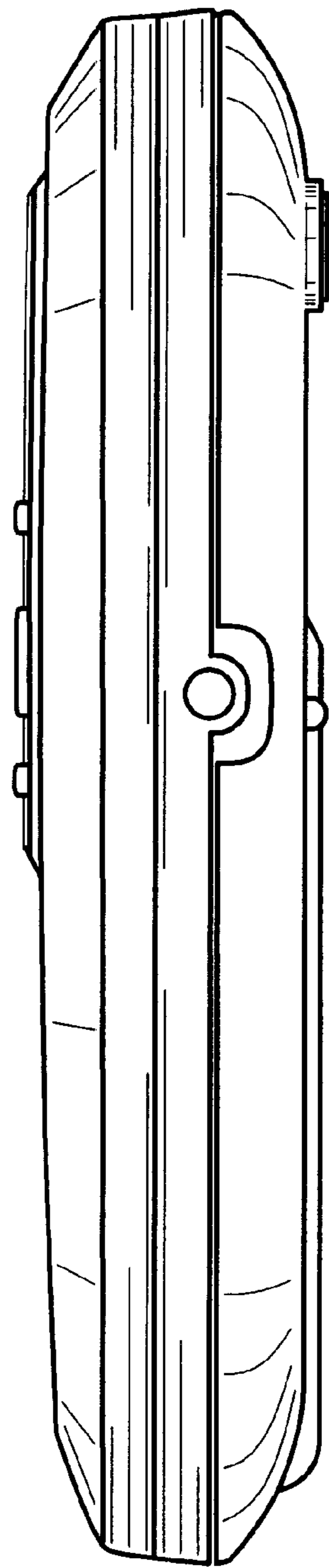


FIG. 4

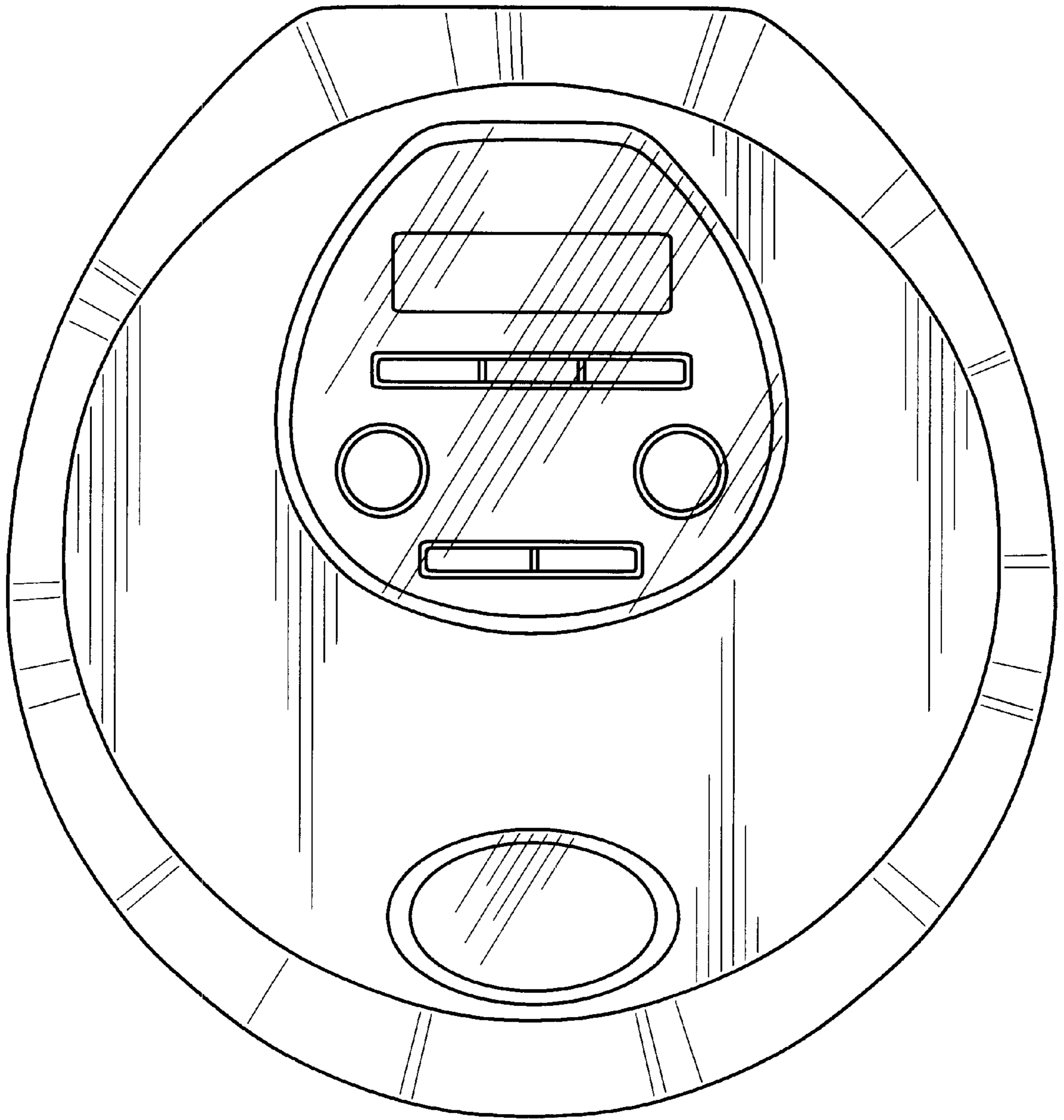


FIG. 5

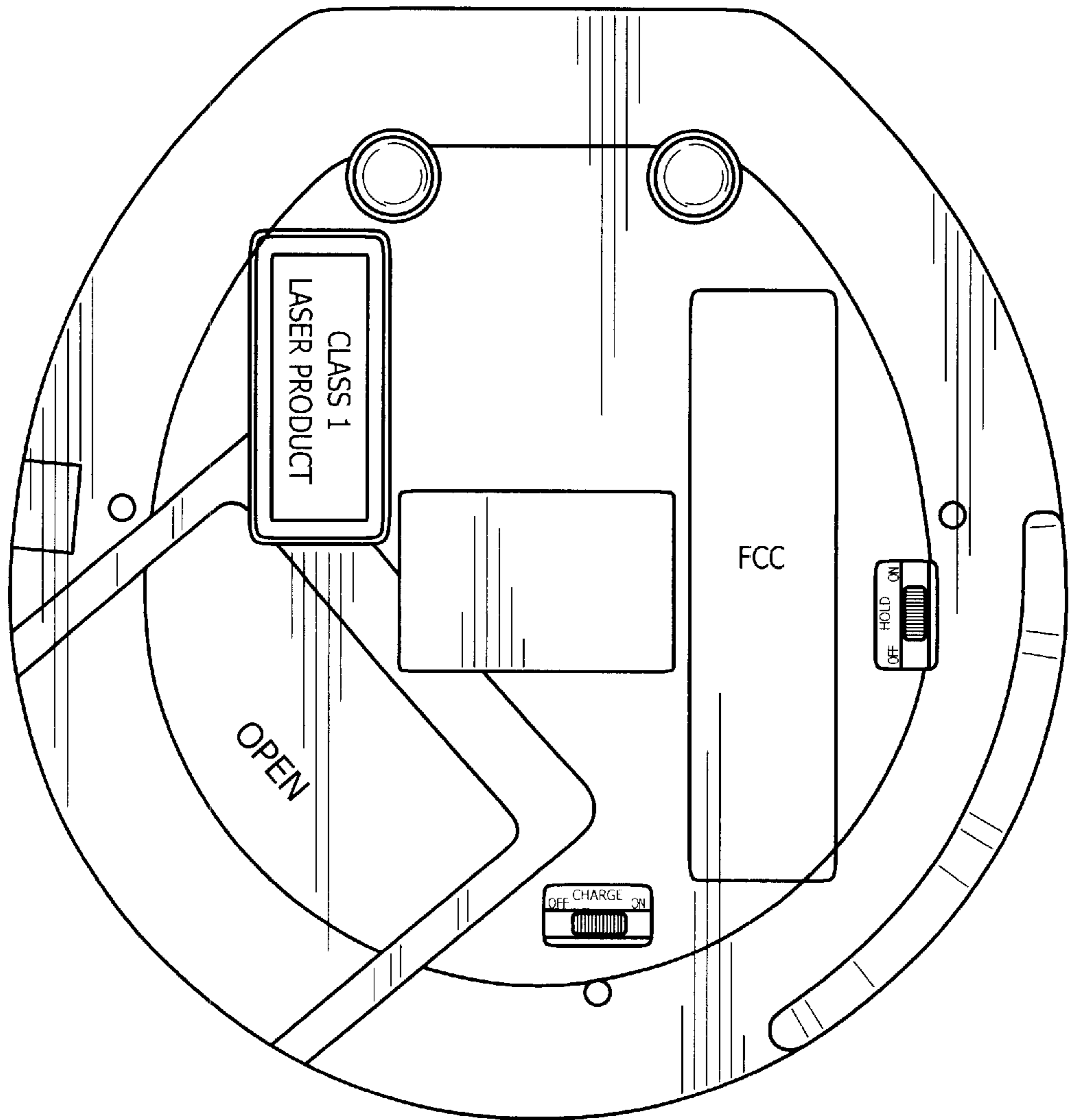


FIG. 6