



US00D470828S

(12) **United States Design Patent**
Solland

(10) **Patent No.:** **US D470,828 S**

(45) **Date of Patent:** **** Feb. 25, 2003**

(54) **VIDEO DISPLAY**

(75) **Inventor:** **Kurt Solland**, Westlake Village, CA (US)

(73) **Assignee:** **Harman International Industries, Inc.**, Northridge, CA (US)

(**) **Term:** **14 Years**

(21) **Appl. No.:** **29/165,814**

(22) **Filed:** **Aug. 19, 2002**

(51) **LOC (7) Cl.** **14-03**

(52) **U.S. Cl.** **D14/132**

(58) **Field of Search** D14/125-136, D14/239, 371, 374, 315, 327, 340; D12/418, 345, 415; 296/37.1, 37.8, 37.7, 70; 224/311, 539; 348/180, 184, 325, 739, 825

(56) **References Cited**

U.S. PATENT DOCUMENTS

- D391,926 S * 3/1998 Brunner D14/340
- 5,775,762 A * 7/1998 Vitito 296/37.7
- 6,059,255 A * 5/2000 Rosen et al. 248/917
- D451,895 S * 12/2001 Lavelle et al. D14/132

- D453,325 S * 2/2002 Okada et al. D14/132
- D454,121 S * 3/2002 Lavelle et al. D14/126
- D462,670 S * 9/2002 Kasuga et al. D14/132

* cited by examiner

Primary Examiner—Raphael Barkai

(74) *Attorney, Agent, or Firm*—Banner & Witcoff, Ltd.

(57) **CLAIM**

The ornamental design for a video display, as shown and described.

DESCRIPTION

FIG. 1 is a perspective view of a video display showing my new design;

FIG. 2 is a front elevational view thereof;

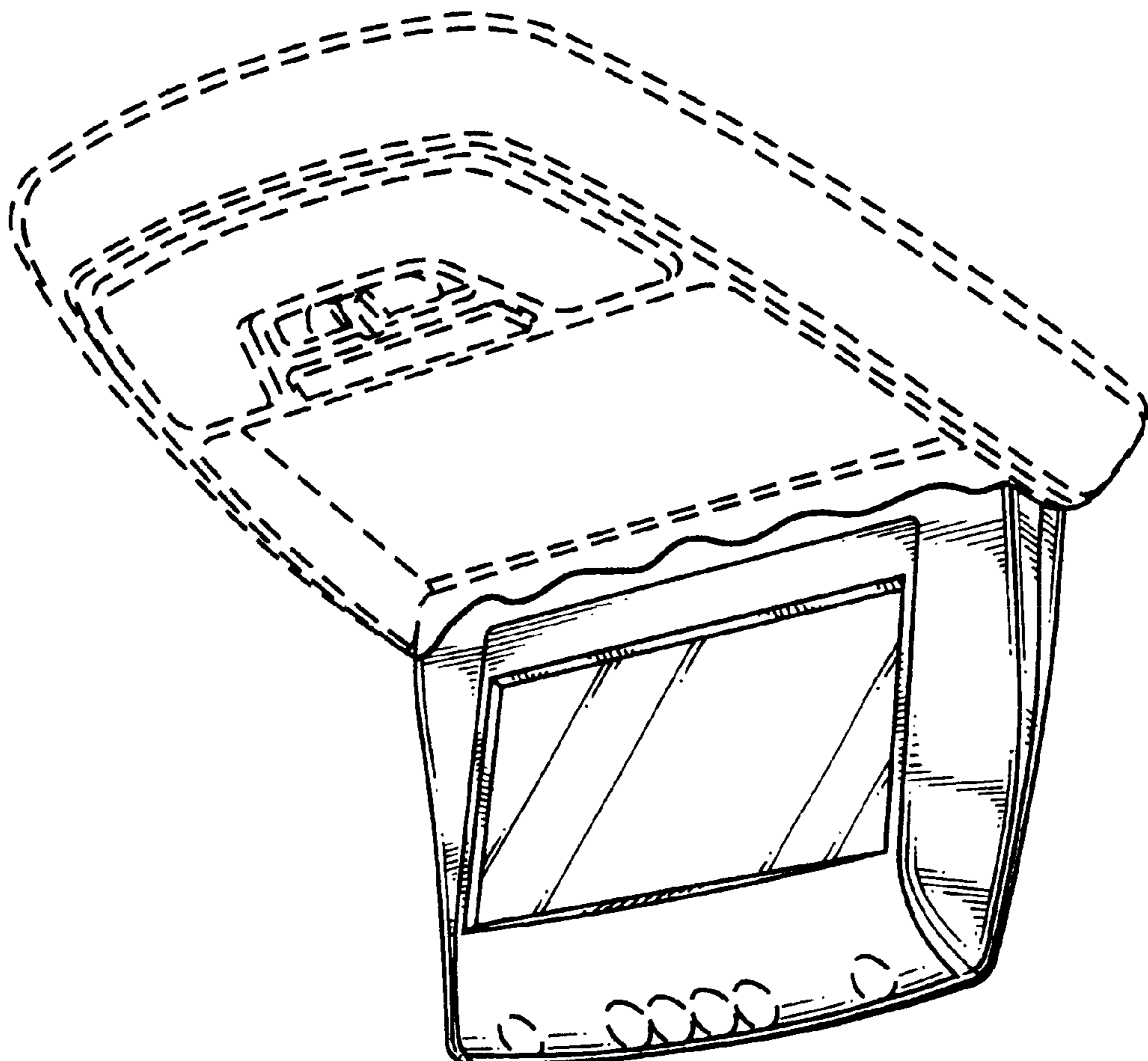
FIG. 3 is a side elevational view thereof, the opposite side elevational view being substantially a mirror image thereof;

FIG. 4 is a bottom plan view thereof; and,

FIG. 5 is a rear elevational view thereof.

The broken line showings of the circles on the bottom edge of the video display, and the remainder of the display are for illustrative purposes only and form no part of the claimed design.

1 Claim, 3 Drawing Sheets



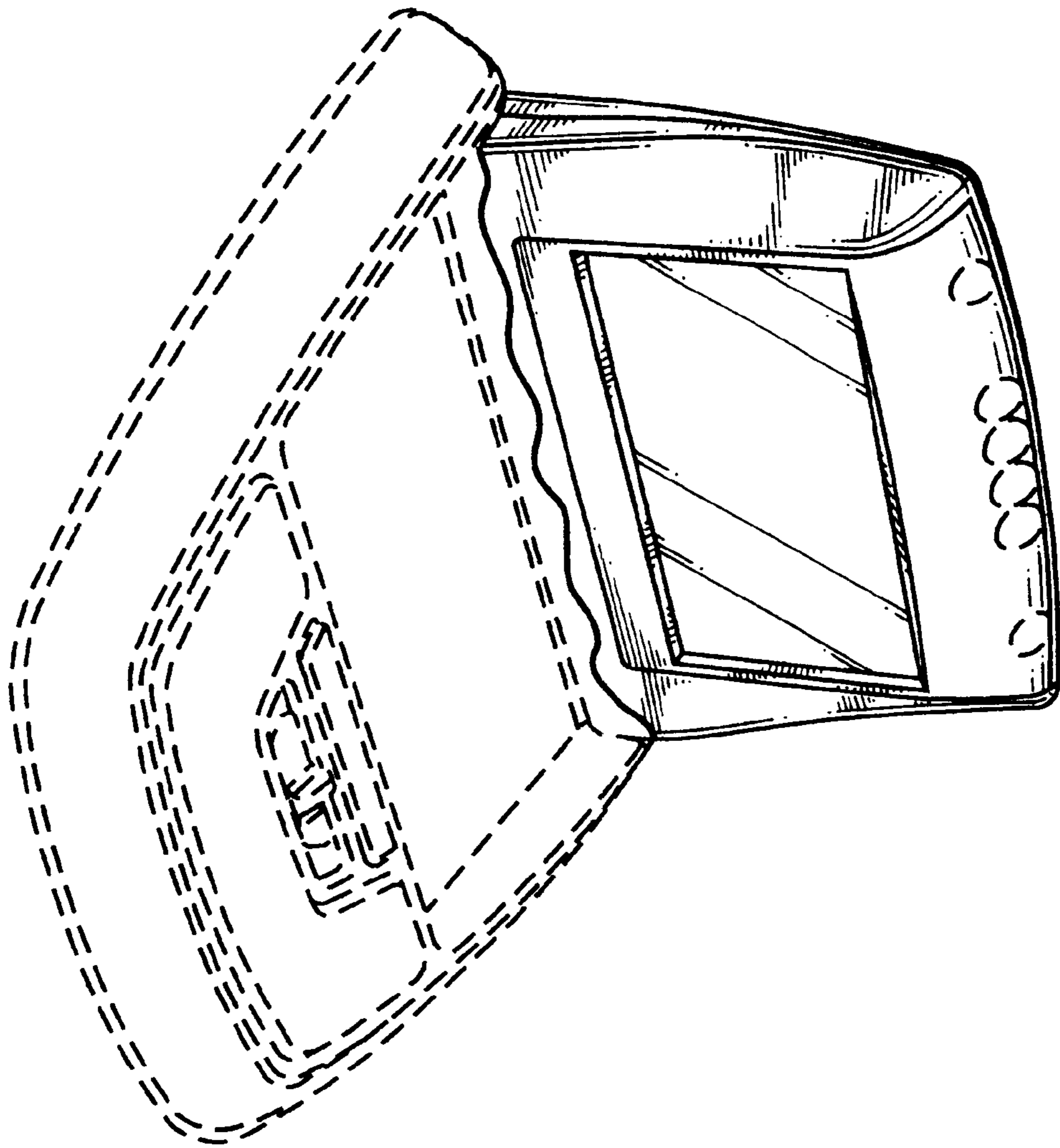


FIG.1

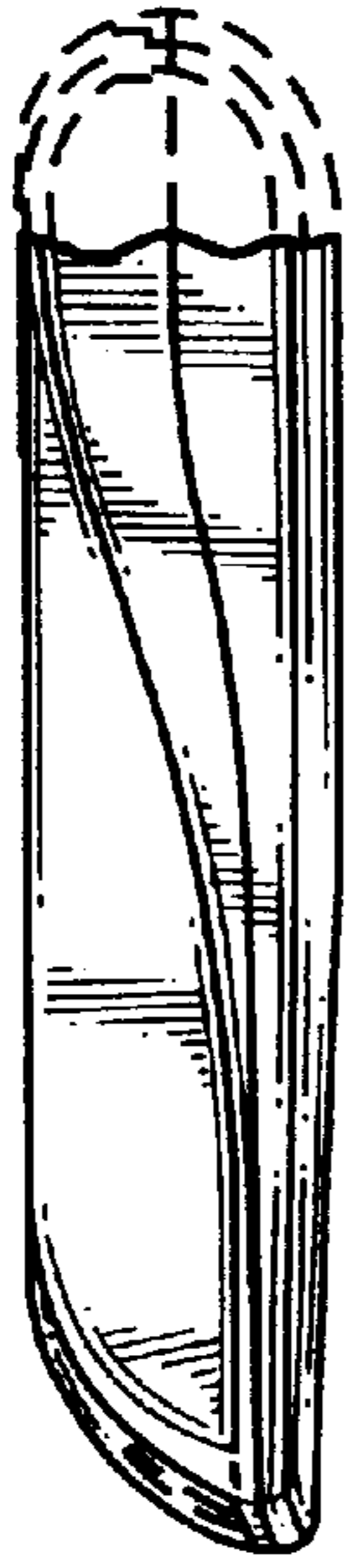


FIG. 3

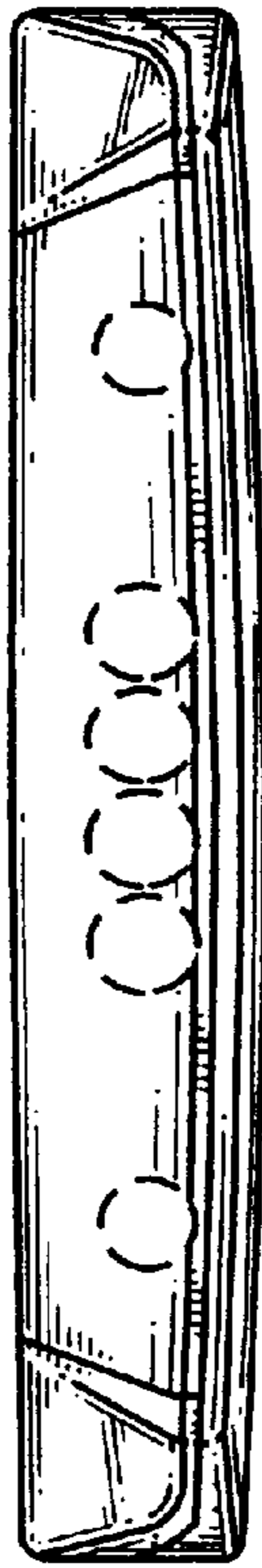


FIG. 4

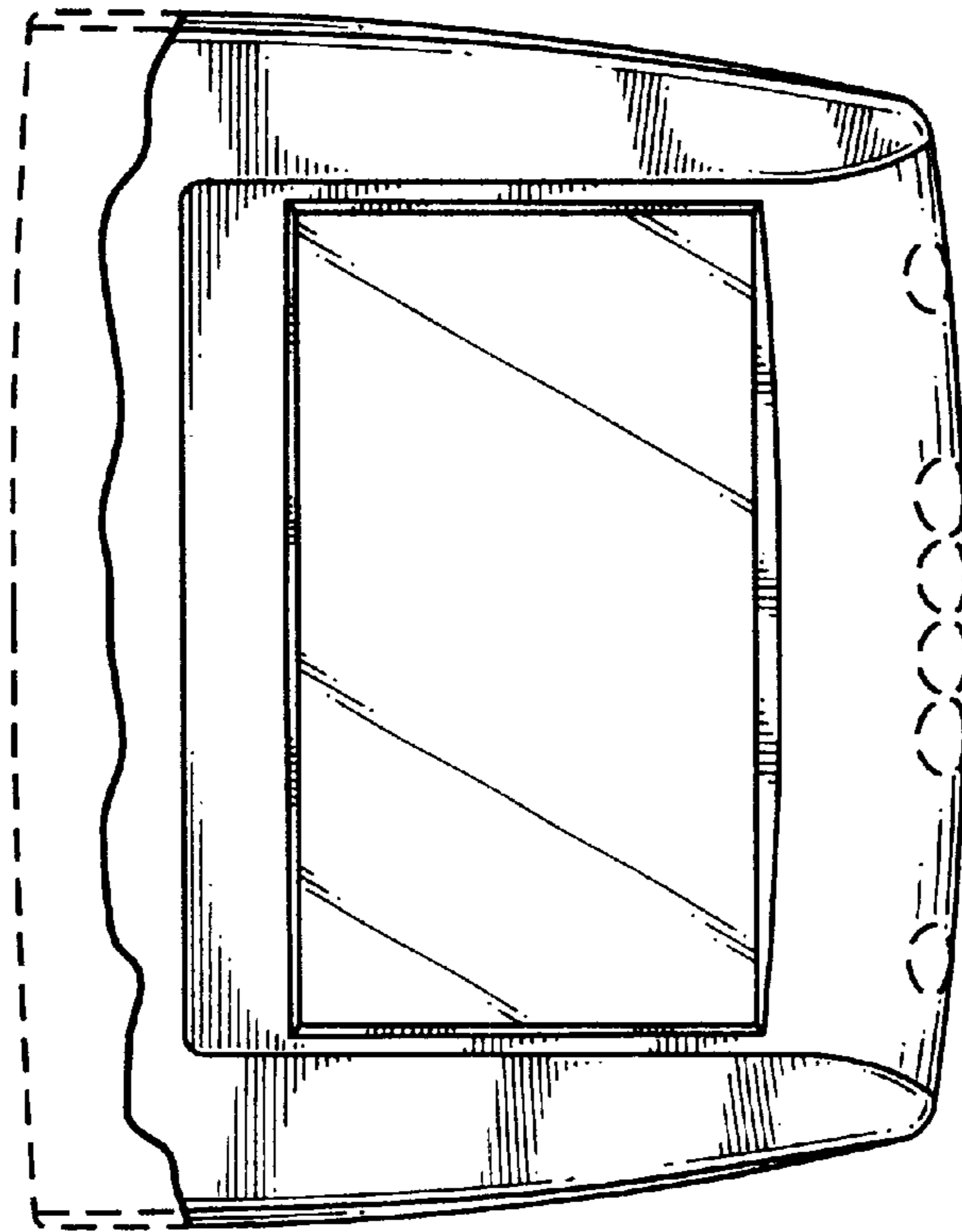


FIG. 2

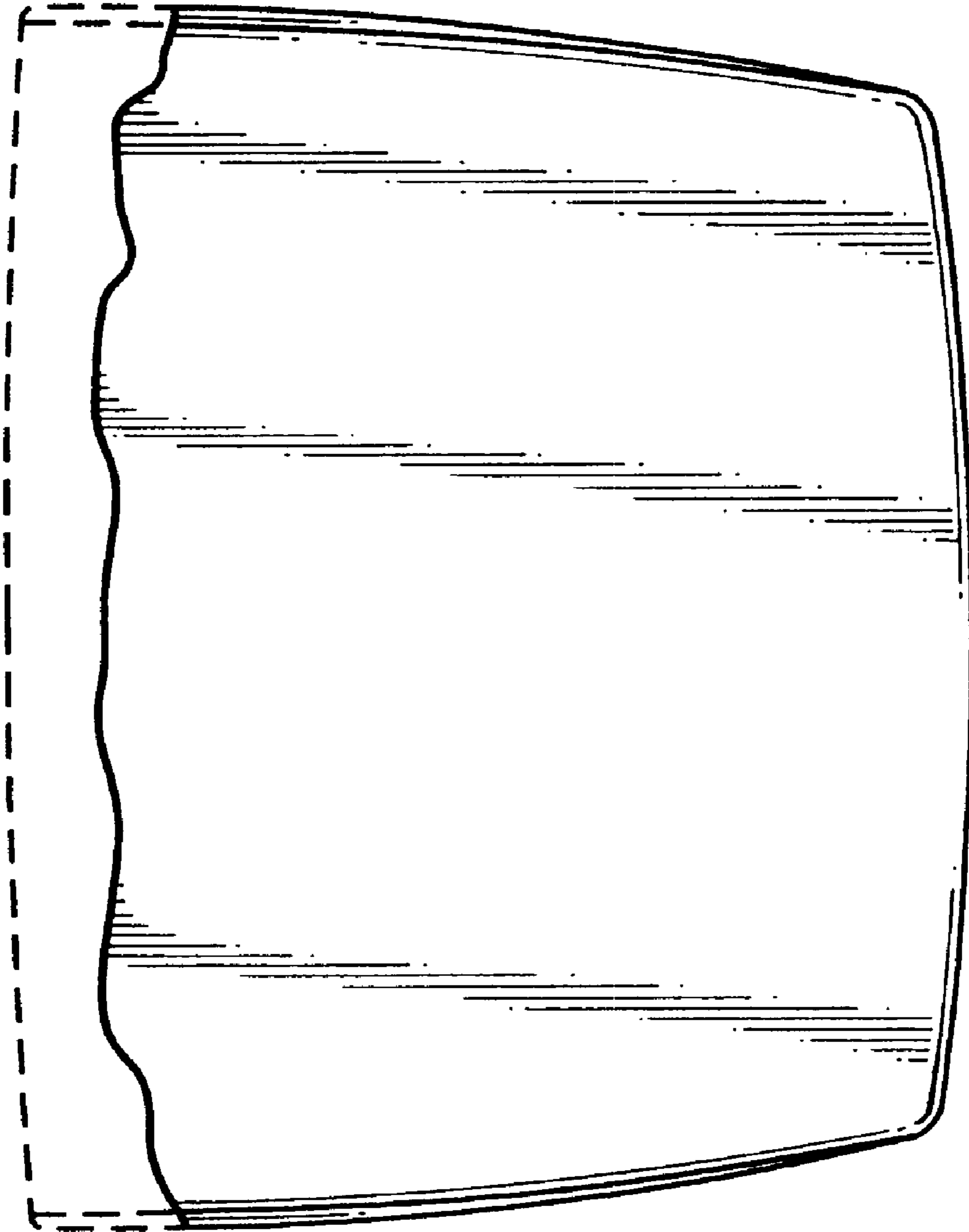


FIG. 5