



US00D470826S

(12) **United States Design Patent**
Bergmann

(10) **Patent No.:** **US D470,826 S**

(45) **Date of Patent:** **** Feb. 25, 2003**

(54) **ELECTRONIC BATH CONTROL COVER**

(75) **Inventor:** **Konrad Bergmann, Schweich (DE)**

(73) **Assignee:** **American Standard International Inc., New York, NY (US)**

(**) **Term:** **14 Years**

(21) **Appl. No.:** **29/145,751**

(22) **Filed:** **Jul. 27, 2001**

Related U.S. Application Data

(62) Division of application No. 09/380,623, filed as application No. PCT/EP98/01384 on Mar. 10, 1998.

(51) **LOC (7) Cl.** **13-03**

(52) **U.S. Cl.** **D13/184**

(58) **Field of Search** D10/46, 49, 50, D10/104, 106, 108, 121; D14/217, 218, 240; D13/162, 164, 184; 200/5 R, 5 A; 340/825.69, 825.72, 815.49, 825.29, 825.22; 236/12.12; 4/668, 676; 704/275; 361/616, 627, 628, 631, 643, 644, 645, 658, 667, 535; 455/325-355

(56) **References Cited**

U.S. PATENT DOCUMENTS

4,307,391 A * 12/1981 Lewis 345/160

4,945,943 A * 8/1990 Cogger 137/360
D328,260 S * 7/1992 Loew et al. D10/106
D337,757 S * 7/1993 Wu D13/184
5,511,723 A * 4/1996 Eki et al. 236/12.12
6,029,094 A * 2/2000 Diffut 700/32
D431,535 S * 10/2000 Kubis et al. D13/164
D447,075 S * 8/2001 Roberts D10/106
6,317,717 B1 * 11/2001 Lindsey et al. 704/275

* cited by examiner

Primary Examiner—Ted Shooman
Assistant Examiner—Selina Sikder

(57) **CLAIM**

The ornamental design for an electronic bath control cover, as shown and described.

DESCRIPTION

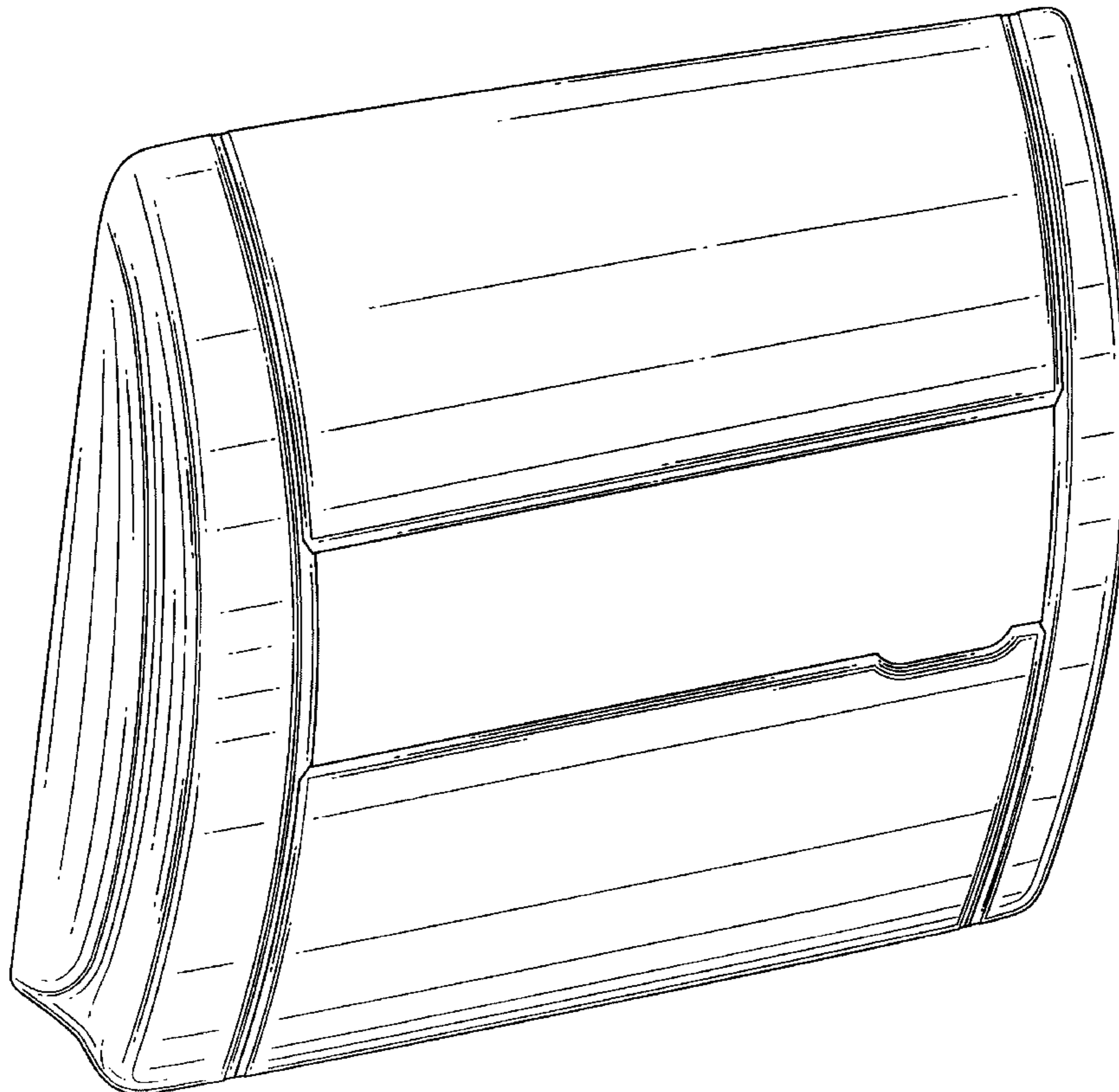
FIG. 1 is a left front perspective view of an electronic bath control cover showing my new design;

FIG. 2 is a front view of the cover thereof;

FIG. 3 is a left side view of the cover thereof, the right side view being a mirror image of the left side; and,

FIG. 4 is a top plan view of the cover thereof.

1 Claim, 4 Drawing Sheets



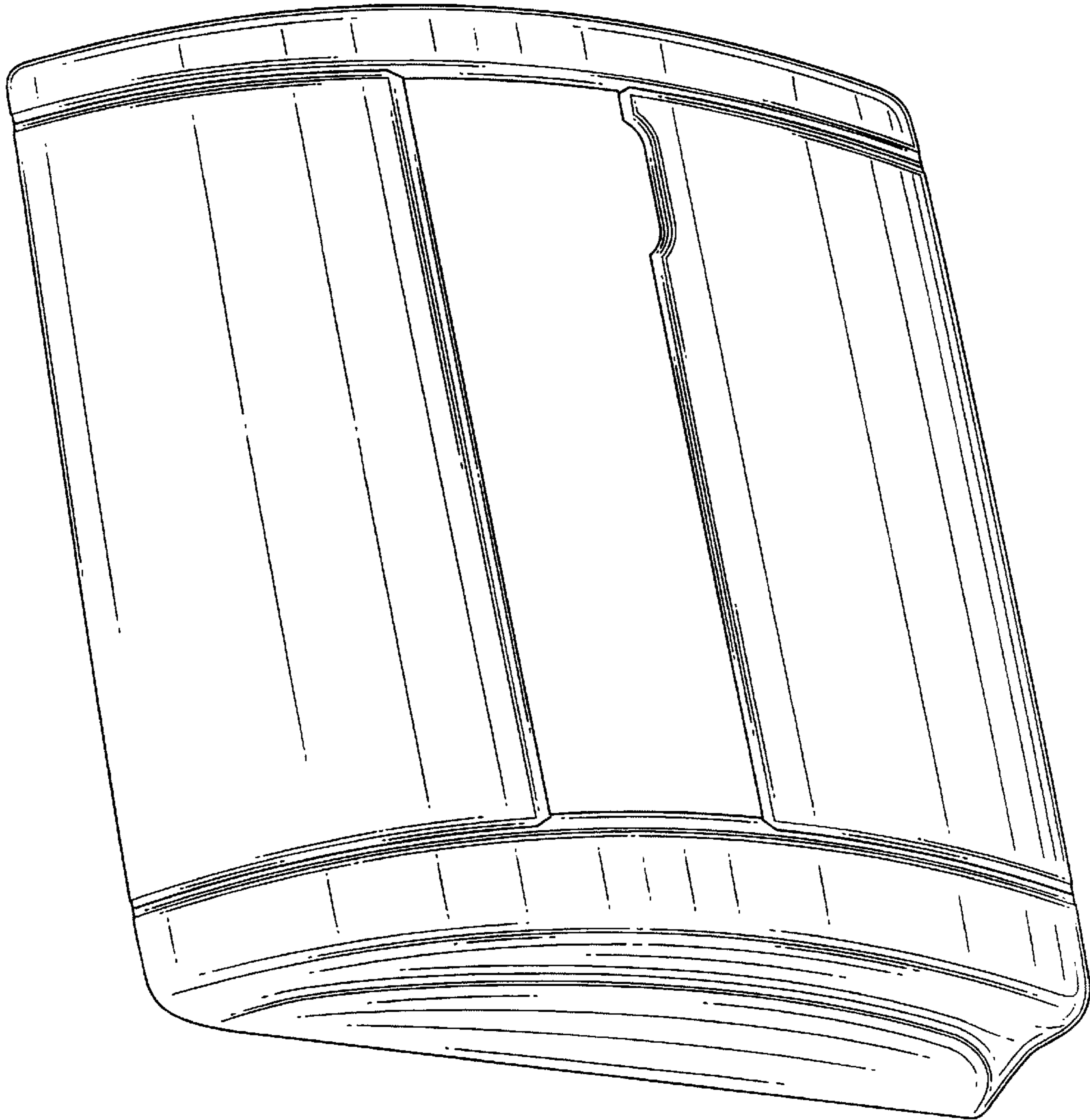


FIG. 1

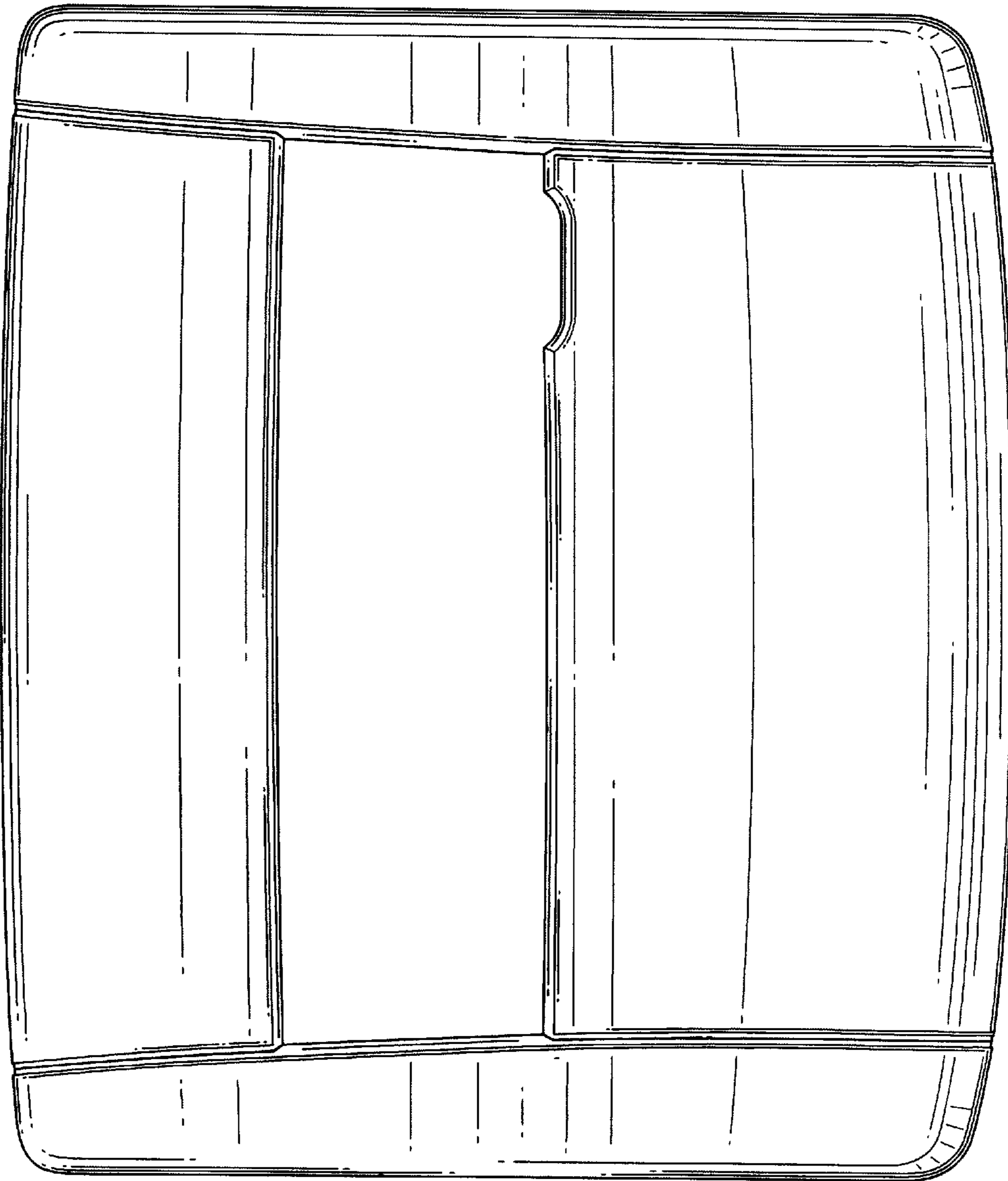


FIG. 2

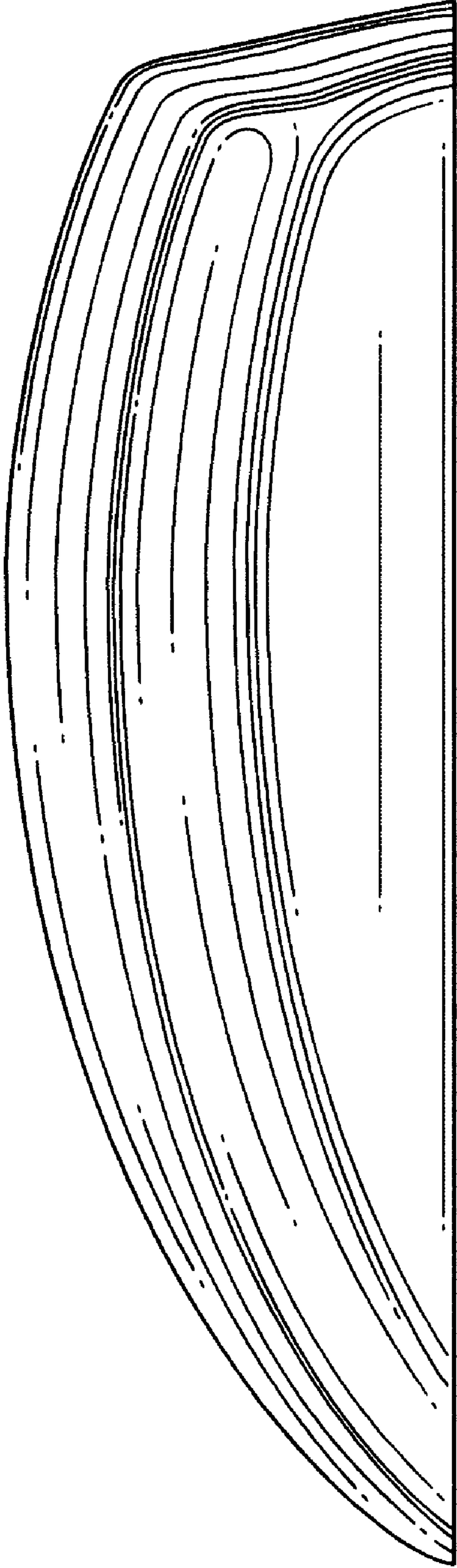


FIG. 3

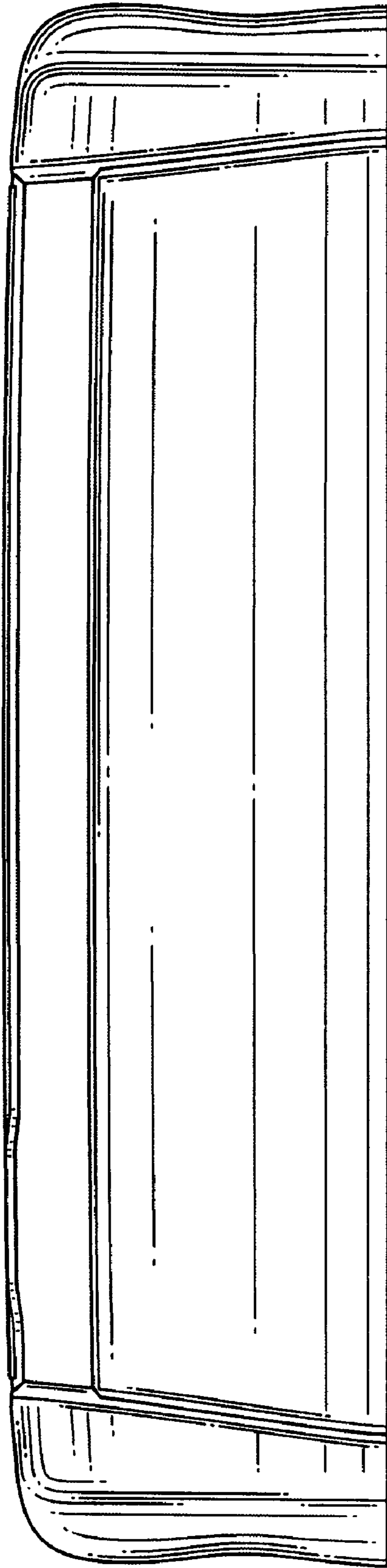


FIG. 4