



US00D470821S

(12) **United States Design Patent**
Sperber et al.

(10) **Patent No.:** **US D470,821 S**

(45) **Date of Patent:** **** Feb. 25, 2003**

(54) **DIGITAL DIRECTIONAL COUPLER**

(75) Inventors: **Martin Sperber**, Coral Springs, FL
(US); **Tibor Urbanek**, Boynton Beach,
FL (US)

(73) Assignee: **Viewsonics, Inc.**, Pompano Beach, FL
(US)

(**) Term: **14 Years**

(21) Appl. No.: **29/141,526**

(22) Filed: **May 8, 2001**

(51) **LOC (7) Cl.** **13-03**

(52) **U.S. Cl.** **D13/151**

(58) **Field of Search** D13/133, 146,
D13/151; 174/50, 52.1, 59; 439/578

(56) **References Cited**

U.S. PATENT DOCUMENTS

D251,972 S	*	5/1979	Malocsay	D13/151
4,567,318 A	*	1/1986	Shu	174/35 GC
4,806,116 A	*	2/1989	Ackerman	439/578 X
D301,244 S	*	5/1989	Chino	D13/146 X

4,897,045 A	*	1/1990	Dyck	439/578
5,153,380 A	*	10/1992	Chang	174/52.1
D396,691 S	*	8/1998	Shen	D13/147
D452,681 S	*	1/2002	Inoue	D13/151
6,339,190 B1	*	1/2002	Chung	174/50

* cited by examiner

Primary Examiner—Joel Sincavage

(74) *Attorney, Agent, or Firm*—Sonnenschein Nath &
Rosenthal; Brian R. McGinley

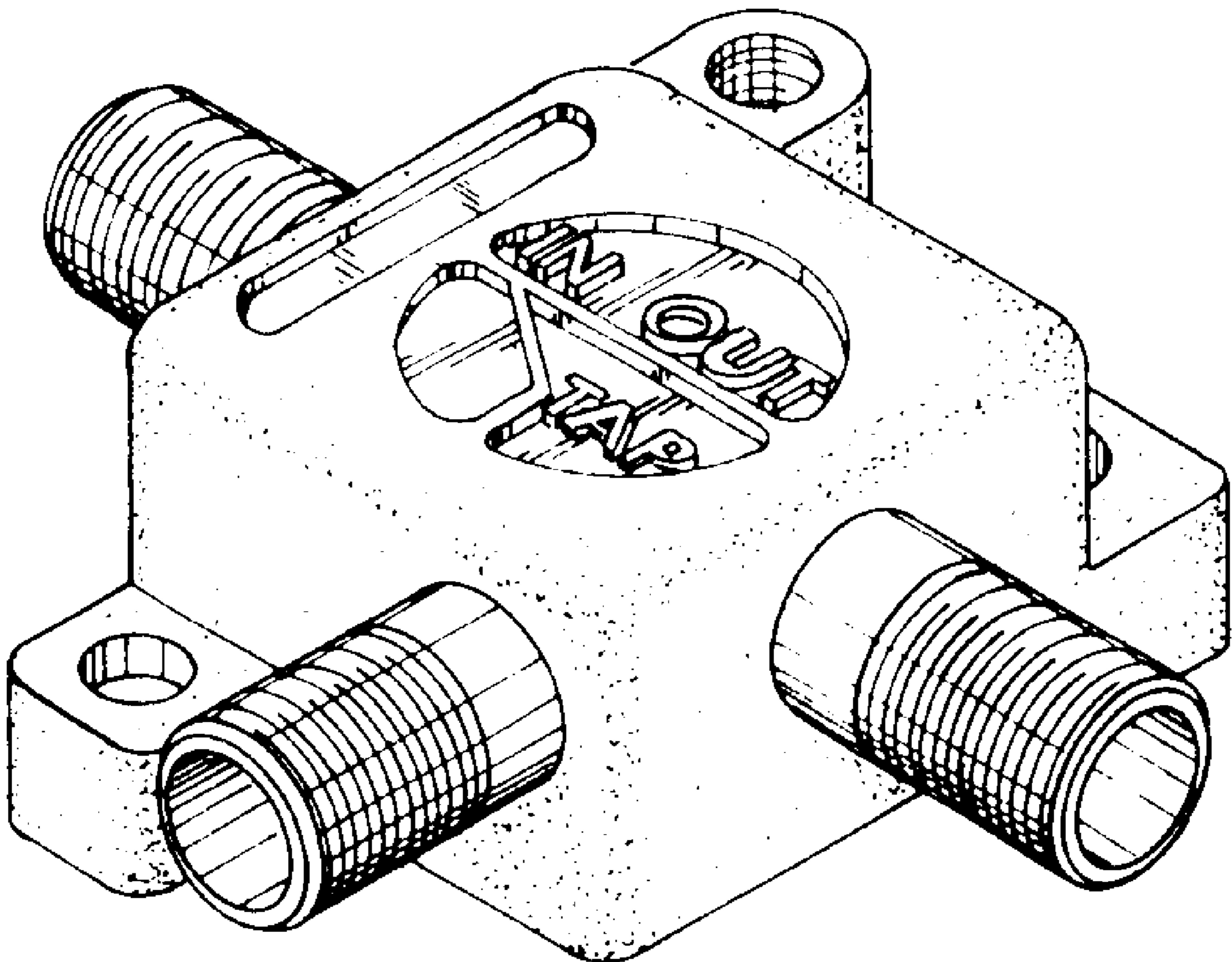
(57) **CLAIM**

The ornamental design for a digital directional coupler, as shown and described.

DESCRIPTION

FIG. 1 is a top plan view of a digital directional coupler showing a new design;
FIG. 2 is a bottom plan view thereof;
FIG. 3 is a front elevational view thereof;
FIG. 4 is a left elevational view thereof;
FIG. 5 is a right elevational view thereof;
FIG. 6 is a rear elevational view thereof; and,
FIG. 7 is a perspective view thereof.

1 Claim, 1 Drawing Sheet



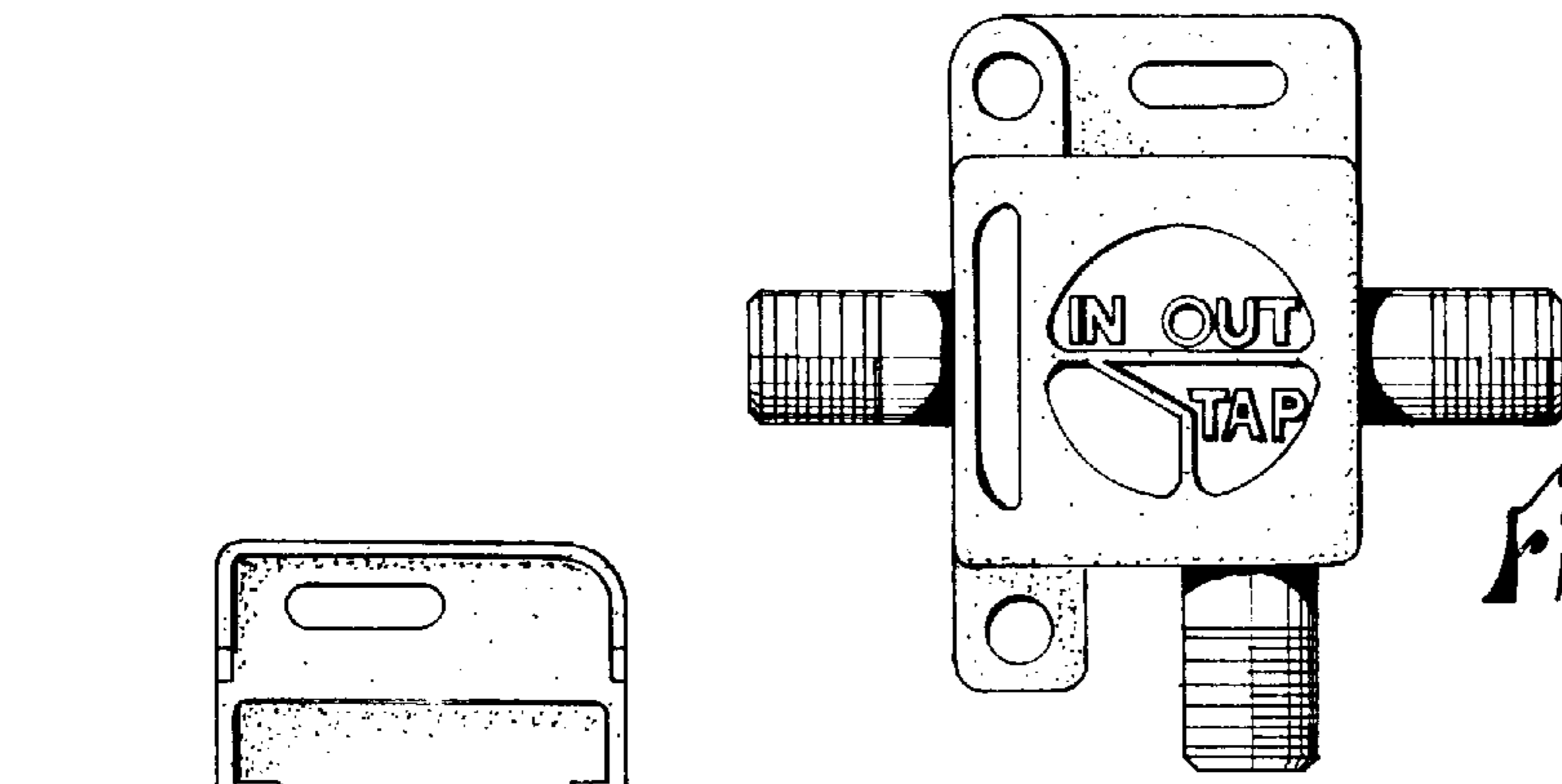


Fig. 1

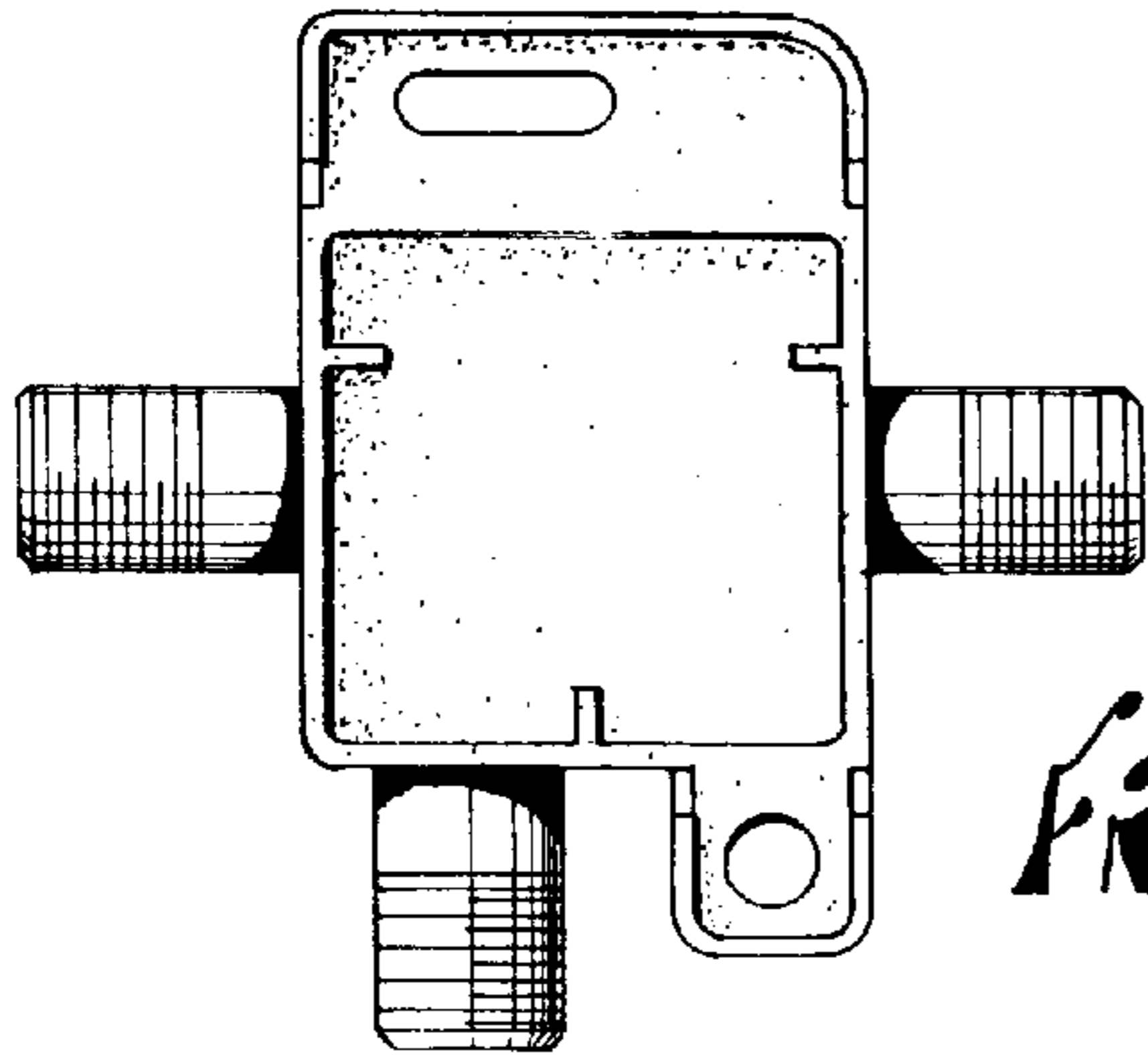


Fig. 2

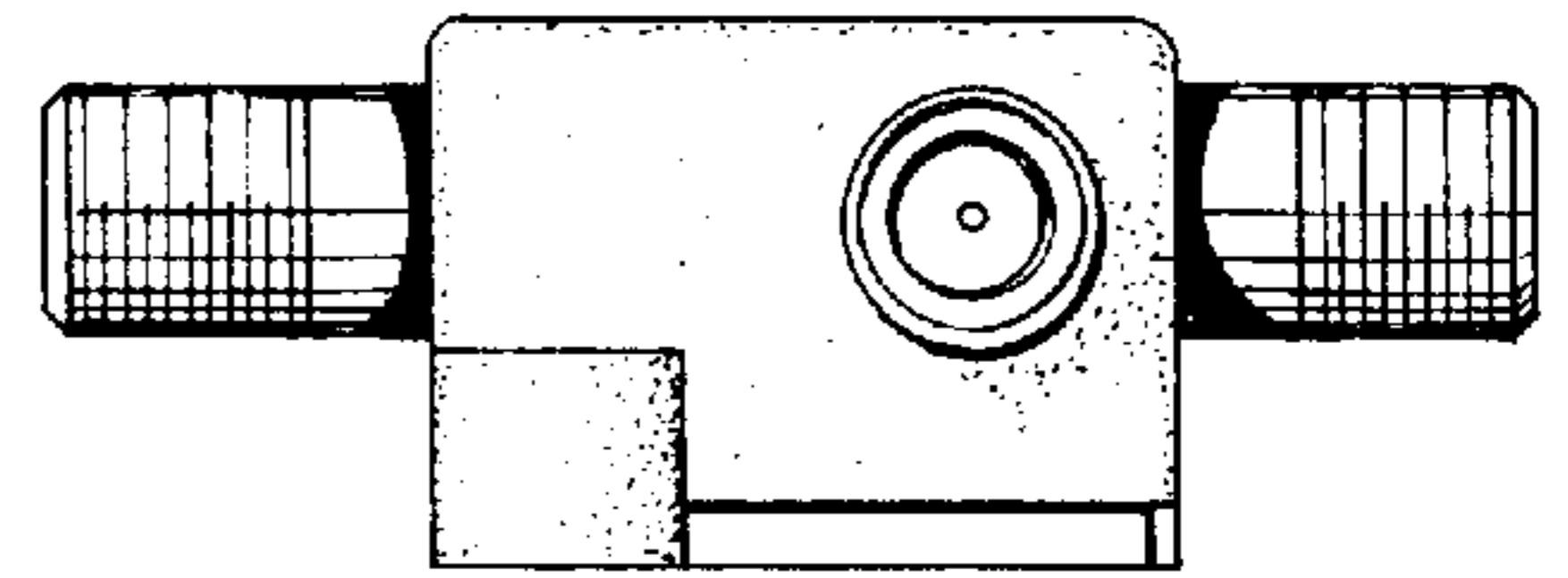


Fig. 3

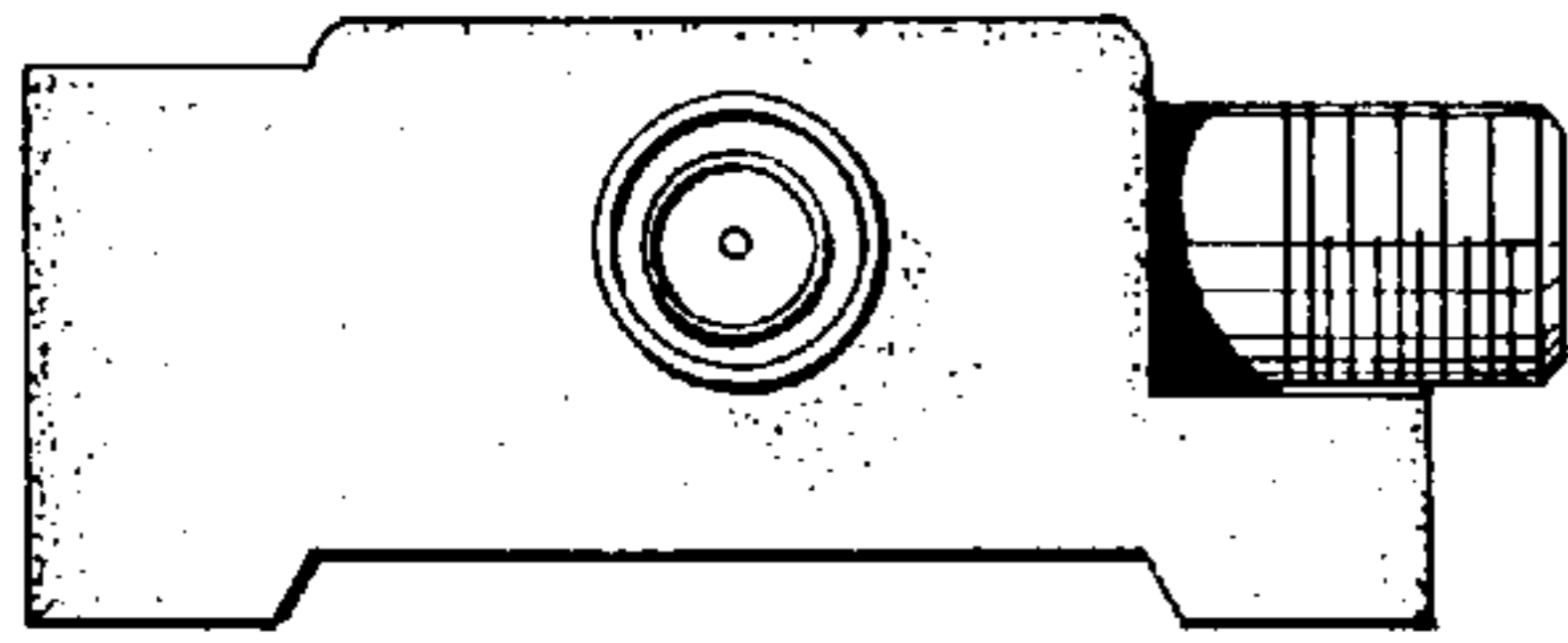


Fig. 4

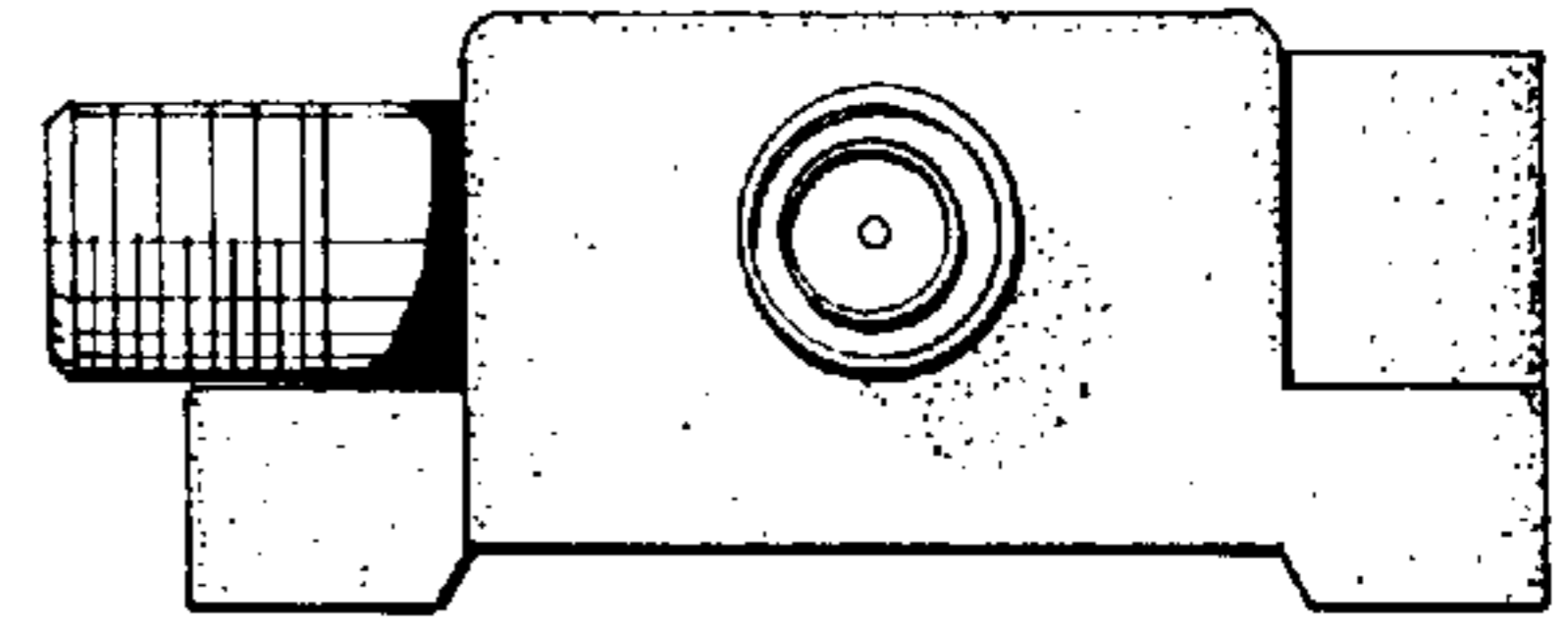


Fig. 5

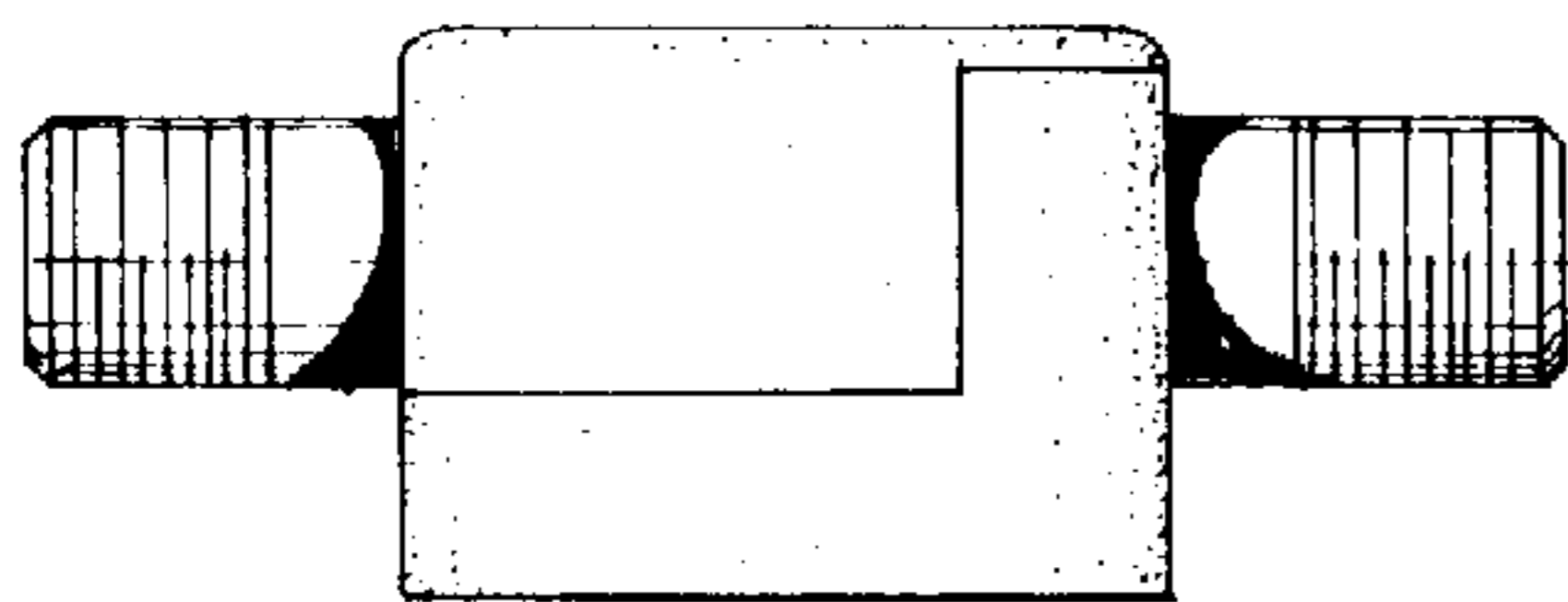


Fig. 6

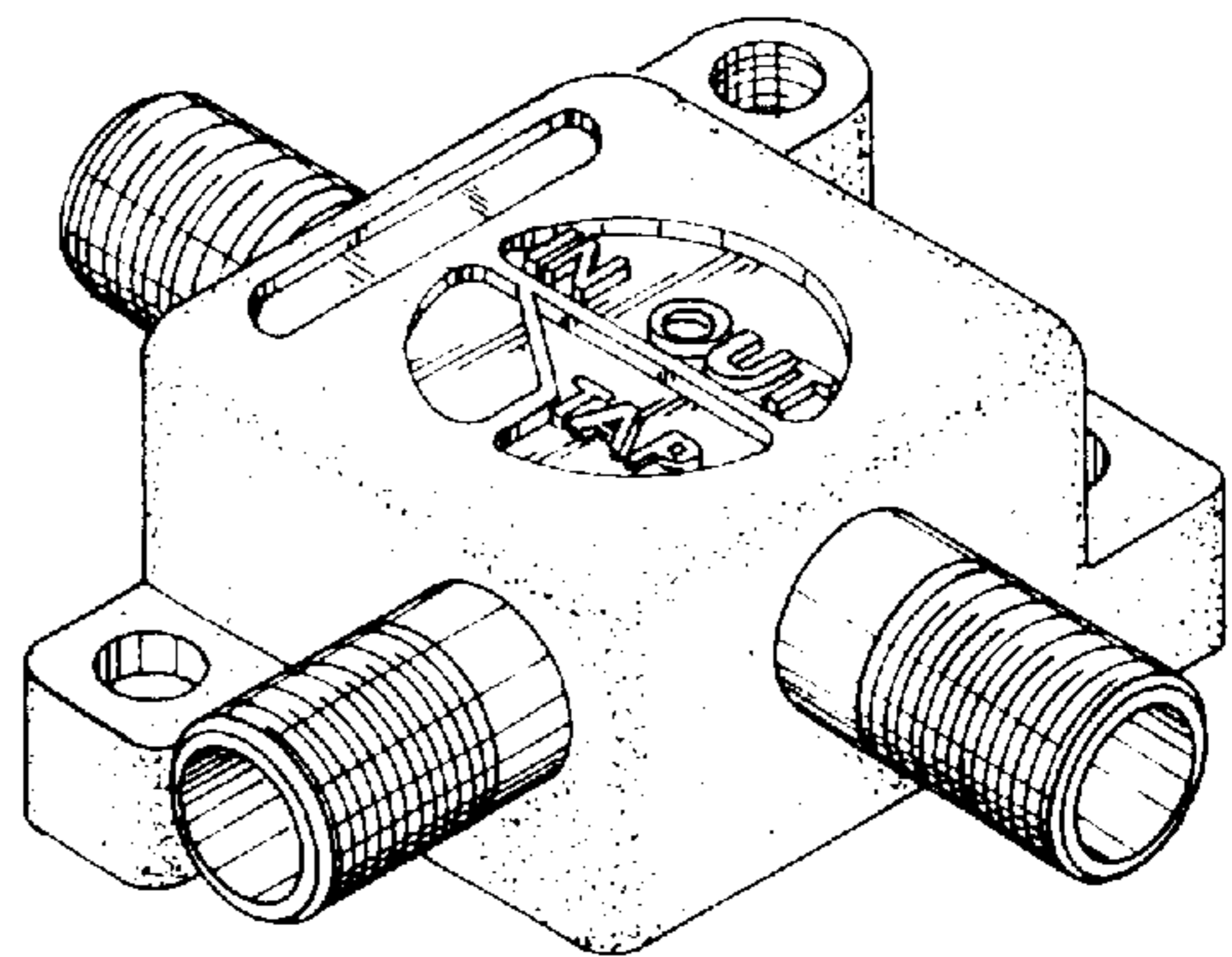


Fig. 7