



US00D470820S

(12) **United States Design Patent**  
**Goto**

(10) **Patent No.:** **US D470,820 S**

(45) **Date of Patent:** **\*\* Feb. 25, 2003**

(54) **ELECTRIC CONNECTOR**

(75) Inventor: **Teiyu Goto**, Tokyo (JP)

(73) Assignee: **Sony Computer Entertainment Inc.**,  
Tokyo (JP)

(\*\*) Term: **14 Years**

(21) Appl. No.: **29/162,297**

(22) Filed: **Jun. 14, 2002**

**Related U.S. Application Data**

(62) Division of application No. 29/132,271, filed on Nov. 7, 2000, now Pat. No. Des. 462,659.

(30) **Foreign Application Priority Data**

Jun. 7, 2000 (JP) ..... 2000-15426  
Jun. 7, 2000 (JP) ..... 2000-15427

(51) **LOC (7) Cl.** ..... **13-03**

(52) **U.S. Cl.** ..... **D13/133**

(58) **Field of Search** ..... D13/133, 154,  
D13/146, 147; 439/536, 638, 656, 660,  
682

(56) **References Cited**

**U.S. PATENT DOCUMENTS**

D305,230 S \* 12/1989 Math ..... D14/124  
5,429,363 A 7/1995 Hayashi ..... 463/40

5,567,180 A \* 10/1996 Seo ..... 439/638  
D413,323 S \* 8/1999 Tashiro ..... D14/124  
D444,127 S \* 6/2001 Wong ..... D13/146  
D445,763 S 7/2001 Corona ..... D13/133  
D448,810 S 10/2001 Goto ..... D21/332  
D453,499 S \* 2/2002 Hisada et al. .... D13/147  
D458,902 S \* 6/2002 Suzuki ..... D13/147  
6,402,549 B1 \* 6/2002 Ayres et al. .... 439/638 X

\* cited by examiner

*Primary Examiner*—Joel Sincavage

(74) *Attorney, Agent, or Firm*—Rader, Fishman & Grauer  
PLLC

(57) **CLAIM**

The ornamental design for an electric connector, as shown and described.

**DESCRIPTION**

FIG. 1 is a front elevational view of an electric connector showing my new design;  
FIG. 2 is a top plan view thereof;  
FIG. 3 is a right side elevational view thereof;  
FIG. 4 is a left side elevational view thereof; and,  
FIG. 5 is a bottom plan view thereof.

The evenly dashed lines throughout the drawings are included for the purpose of illustrating portions of the connector that form no part of the claimed design and the chain-link dashed lines shown in FIG. 1 identify the perimeter of the claimed design.

**1 Claim, 2 Drawing Sheets**

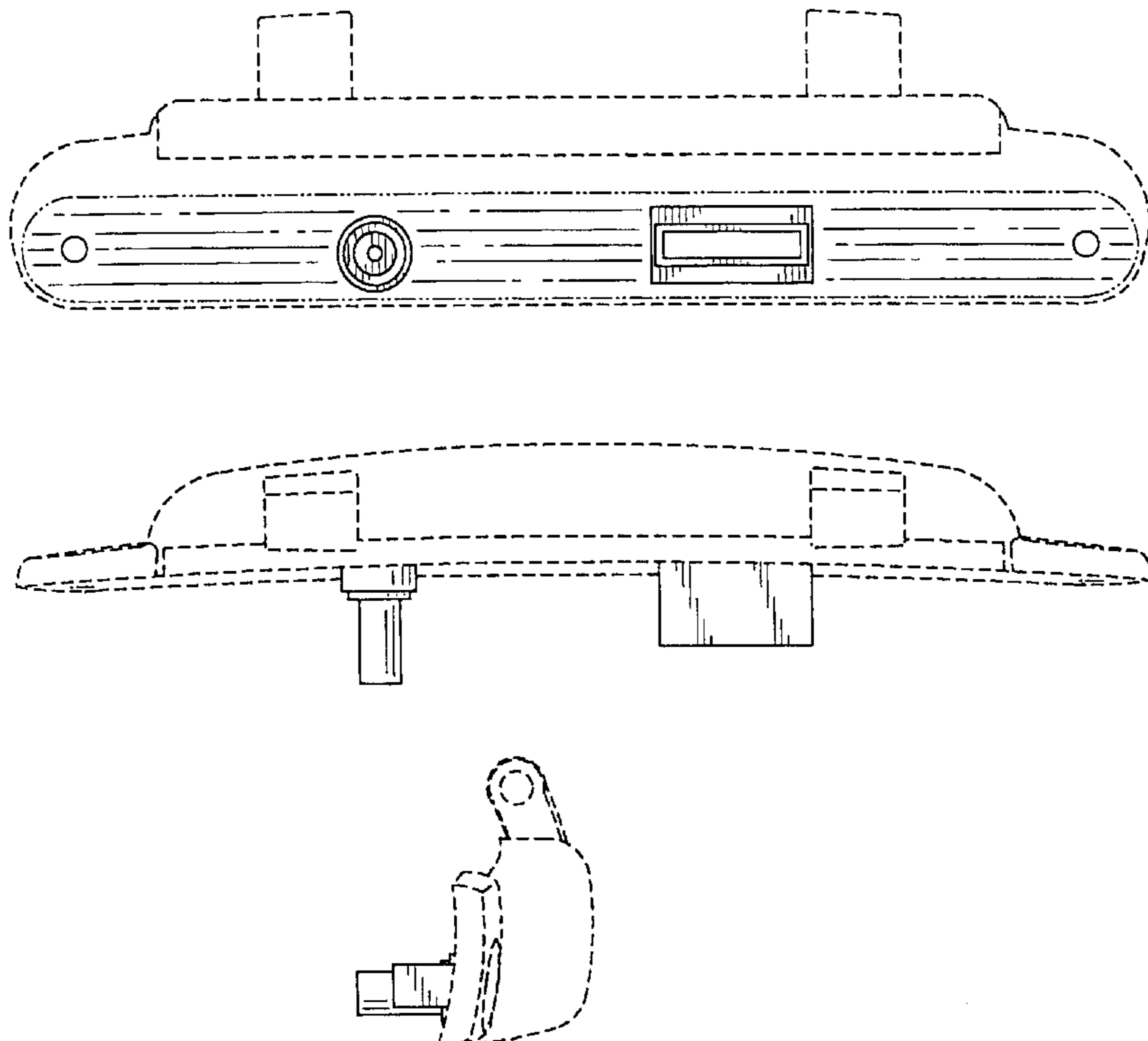


FIG. 1

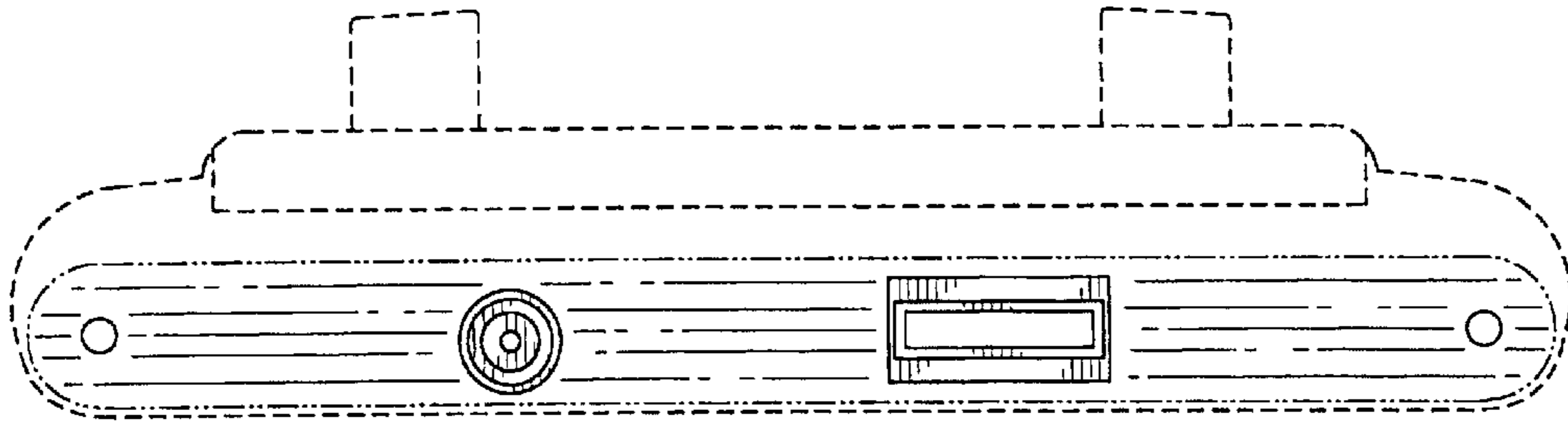


FIG. 2

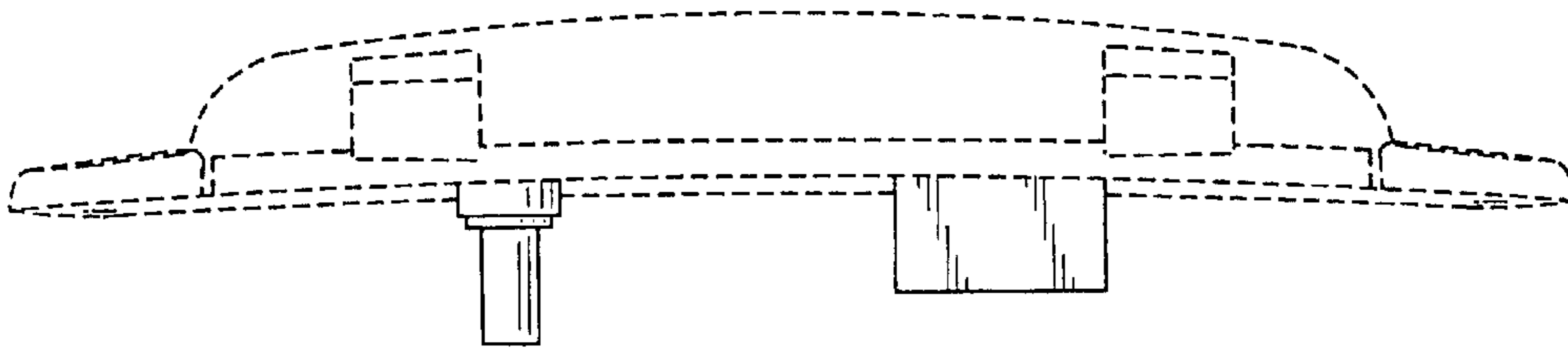


FIG. 3

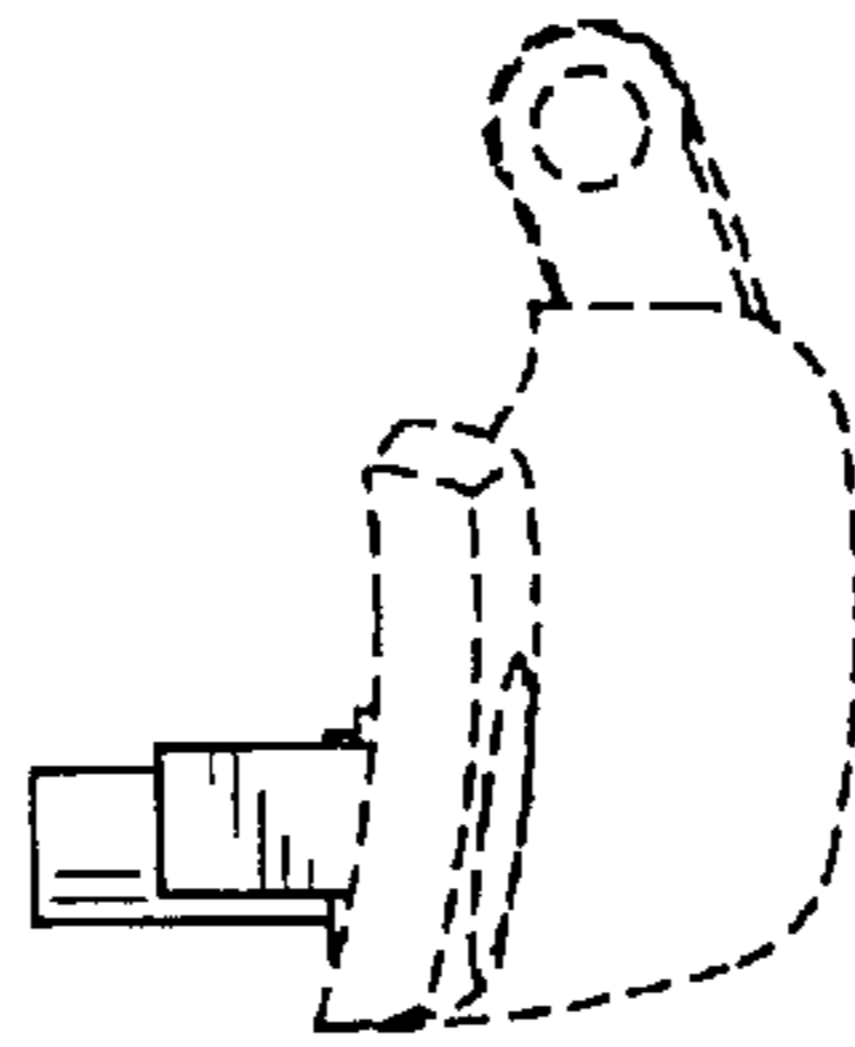


FIG. 4

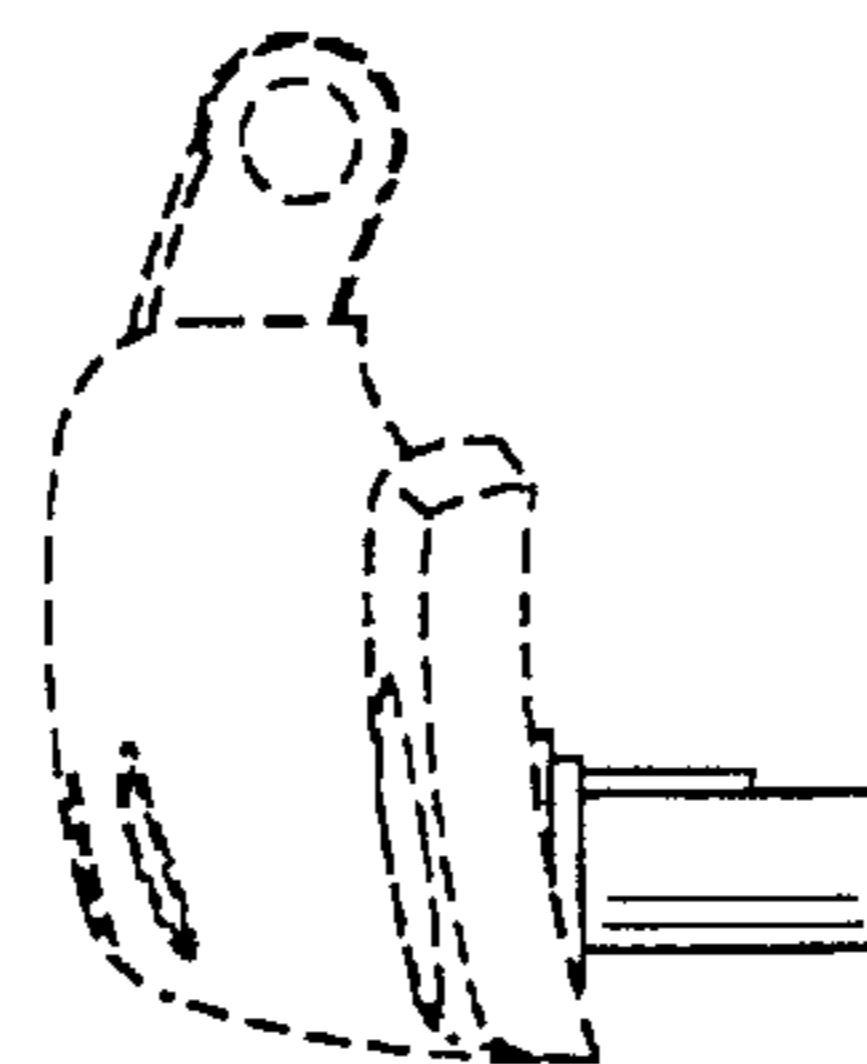


FIG. 5

