



US00D470818S

(12) **United States Design Patent**
Cheng

(10) **Patent No.:** **US D470,818 S**

(45) **Date of Patent:** **** Feb. 25, 2003**

(54) **OPTICAL FIBER PLUG**

(76) **Inventor:** **Yu-Feng Cheng**, No. 7, Fuhsing St.,
Tucheng Ind. Dist., Tucheng City,
Taipei Hsien (TW)

(**) **Term:** **14 Years**

(21) **Appl. No.:** **29/160,038**

(22) **Filed:** **May 1, 2002**

(51) **LOC (7) Cl.** **13-03**

(52) **U.S. Cl.** **D13/133**

(58) **Field of Search** D13/133, 154;
385/55, 58, 60, 78

(56) **References Cited**

U.S. PATENT DOCUMENTS

D296,325 S	*	6/1988	Hugin	D13/133
4,844,570 A	*	7/1989	Tanabe	385/60
4,895,145 A	*	1/1990	Joffe et al.	606/11
5,212,753 A	*	5/1993	Maranto	385/80
5,390,270 A	*	2/1995	Hanzawa et al.	385/81
5,692,090 A	*	11/1997	Szegda	385/139

5,694,508 A * 12/1997 May et al. 385/81

6,186,671 B1 * 2/2001 Rucks et al. 385/78 X

6,224,270 B1 * 5/2001 Nakajima et al. 385/78

D451,073 S * 11/2001 Yasuda et al. D13/133

D456,363 S * 4/2002 Lee D13/154

* cited by examiner

Primary Examiner—Joel Sincavage

(74) *Attorney, Agent, or Firm*—Dellett & Walters

(57) **CLAIM**

The ornamental design for an optical fiber plug, as shown.

DESCRIPTION

FIG. 1 is a perspective view of an optical fiber plug, showing my new design;

FIG. 2 is a front elevational view thereof;

FIG. 3 is a rear elevational view thereof;

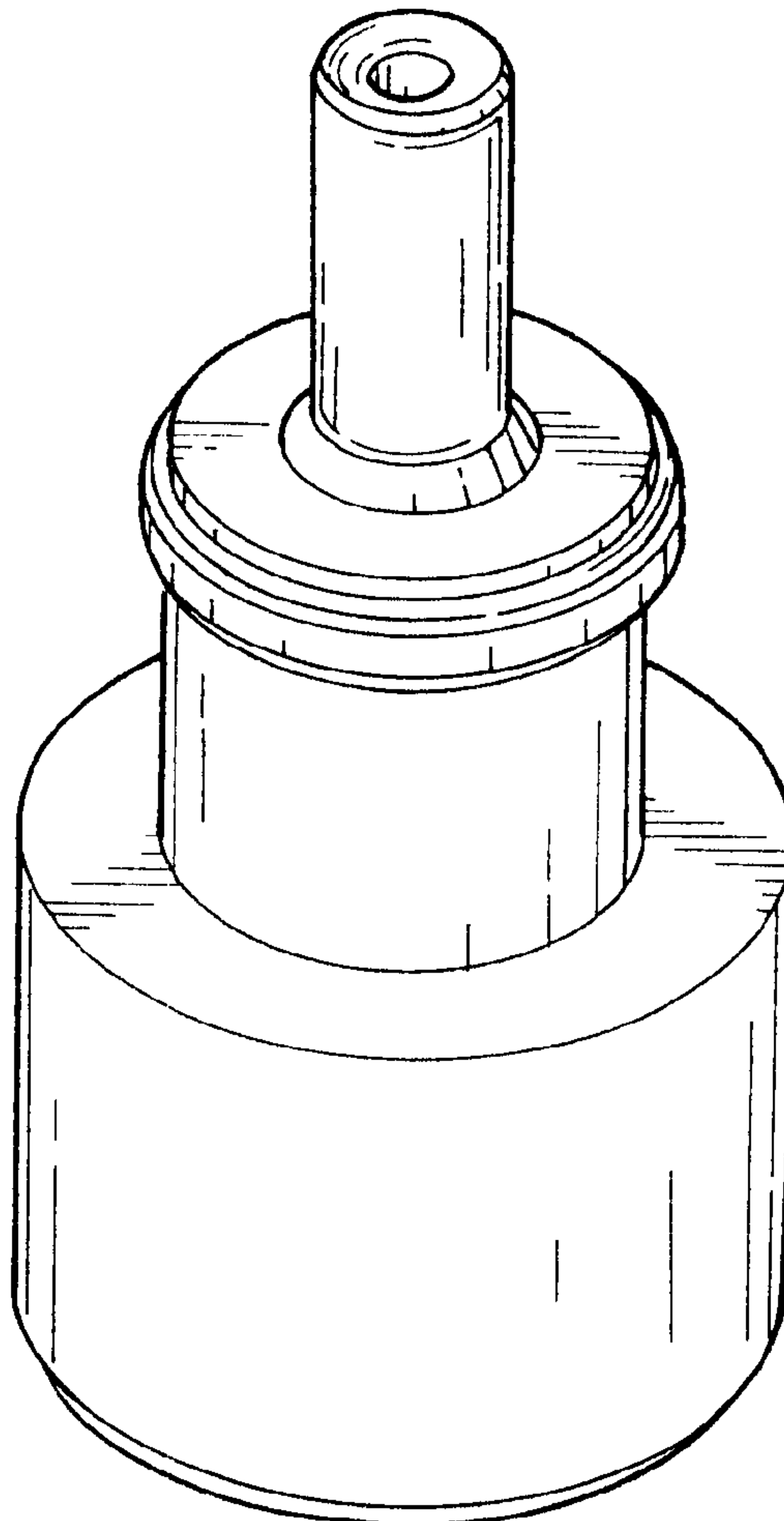
FIG. 4 is a left elevational view thereof;

FIG. 5 is a right elevational view thereof;

FIG. 6 is top plan view thereof; and,

FIG. 7 is a bottom plan view thereof.

1 Claim, 4 Drawing Sheets



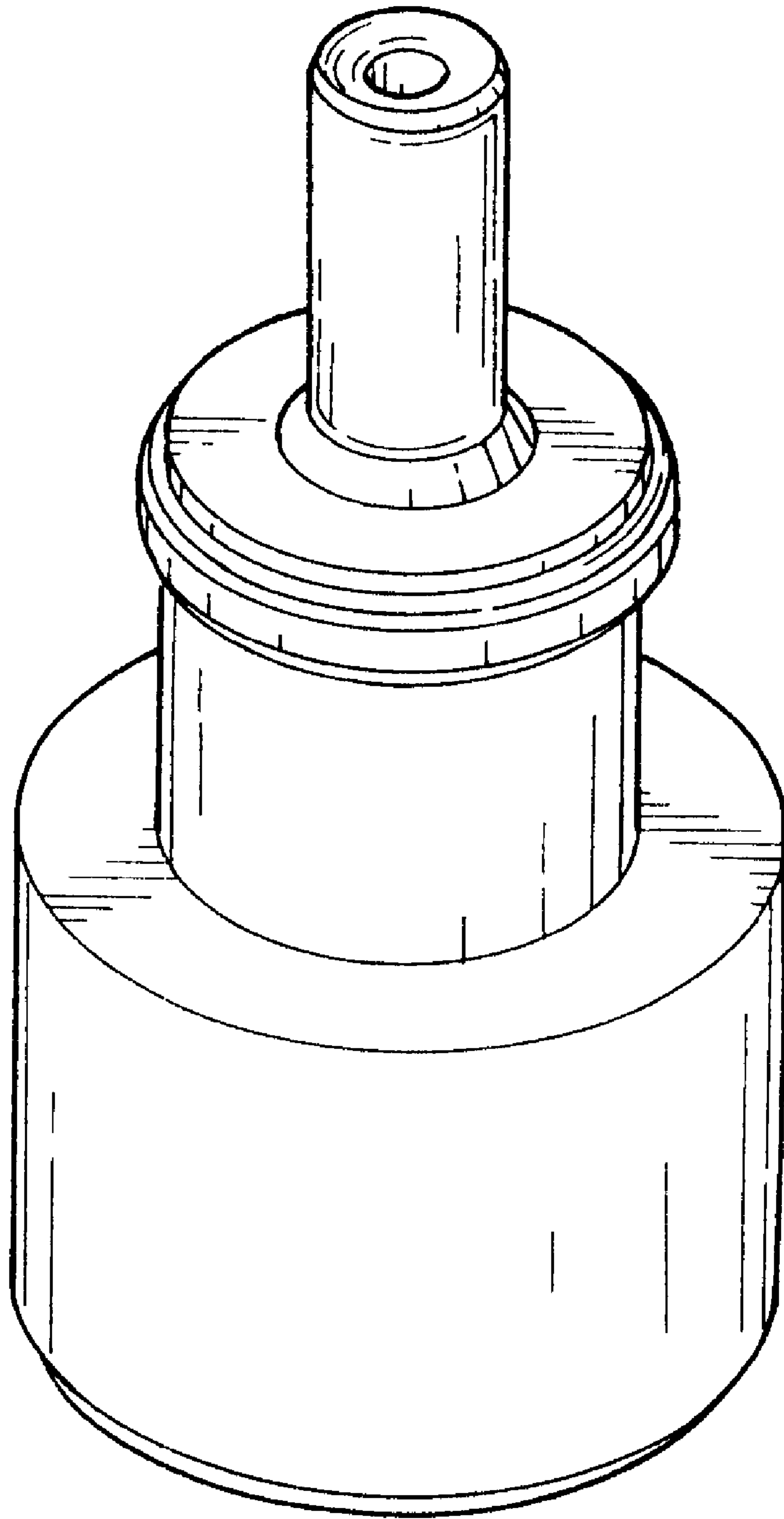


FIG. 1

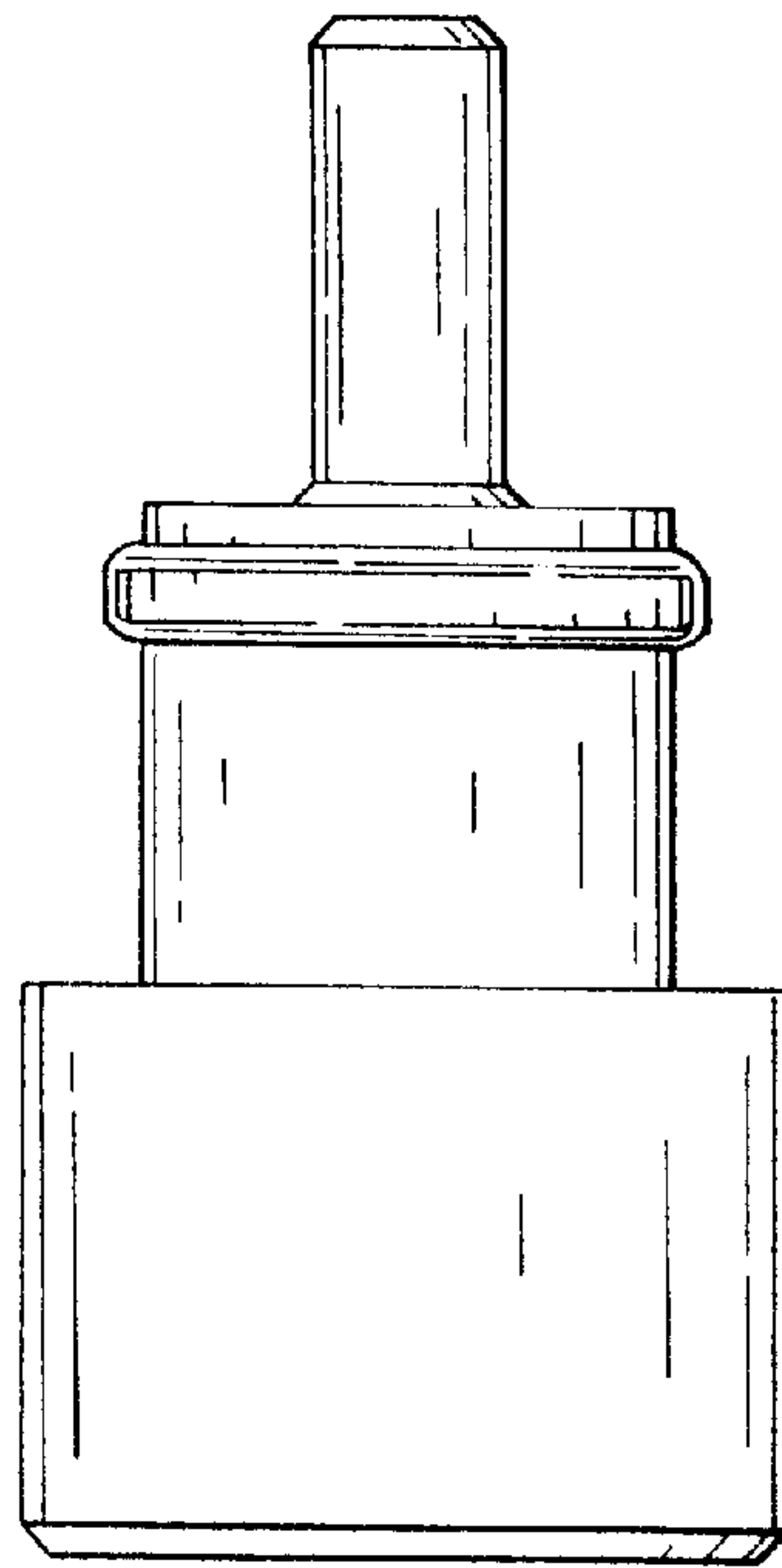


FIG. 2

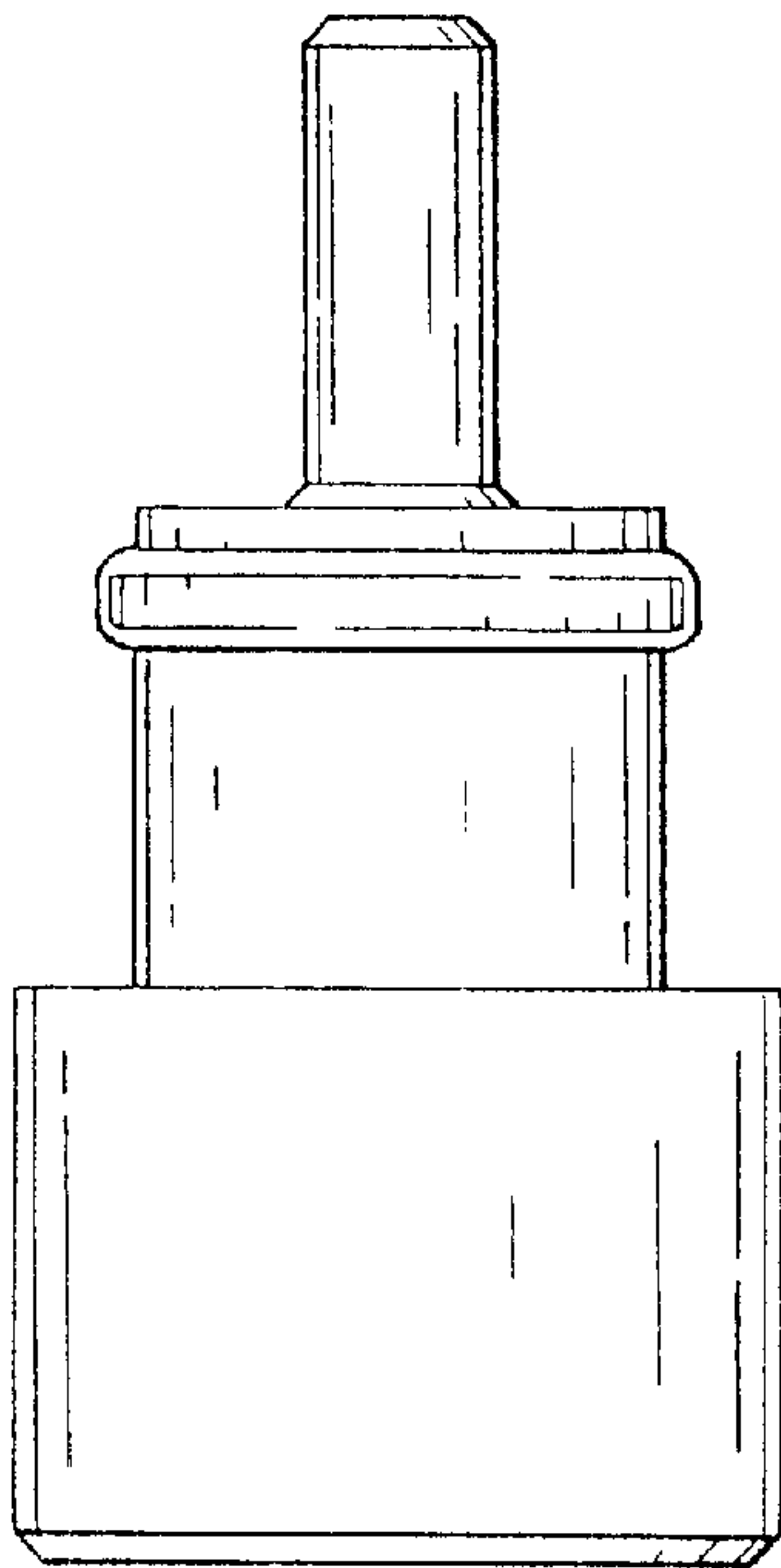


FIG. 3

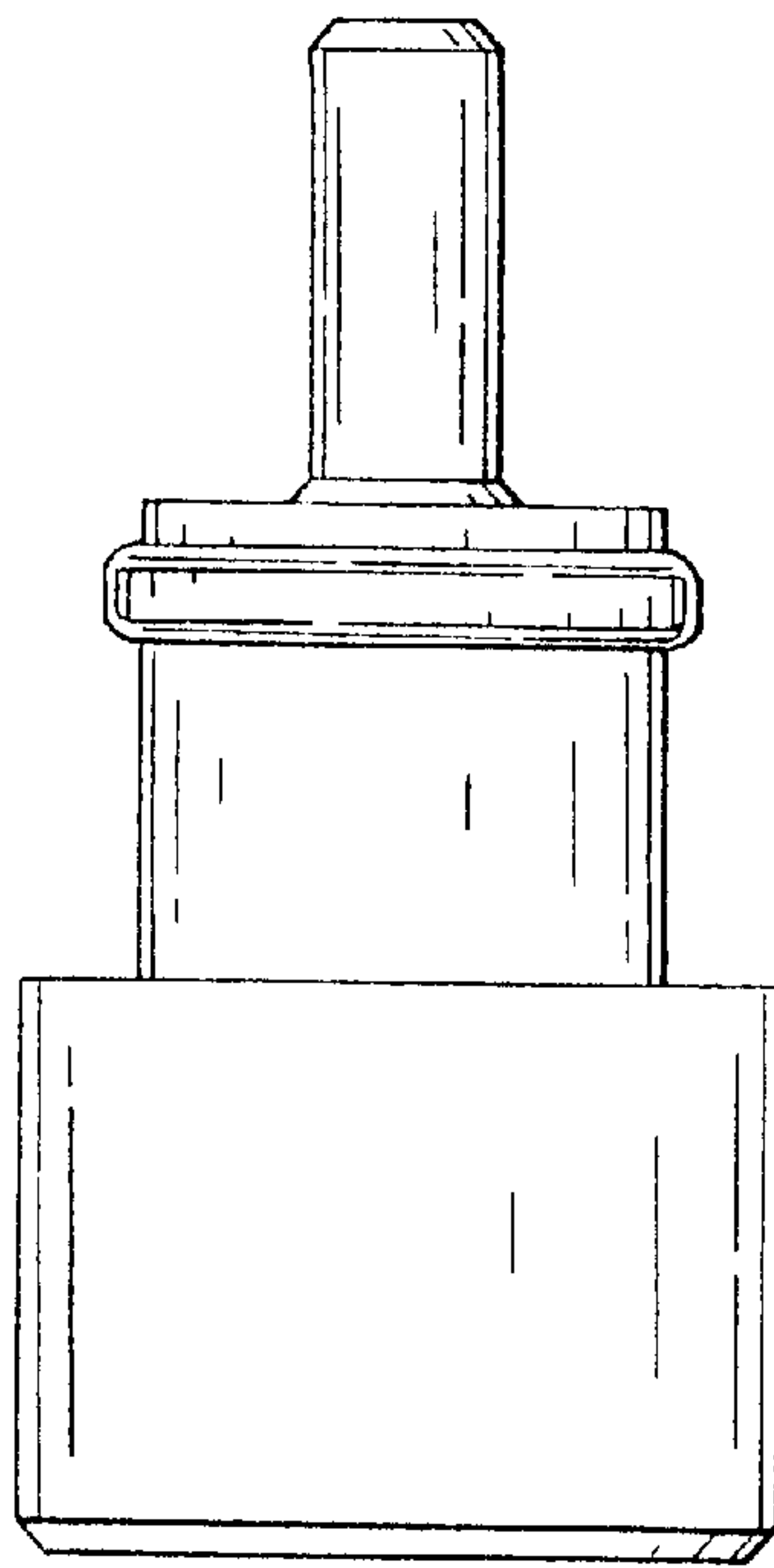


FIG. 4

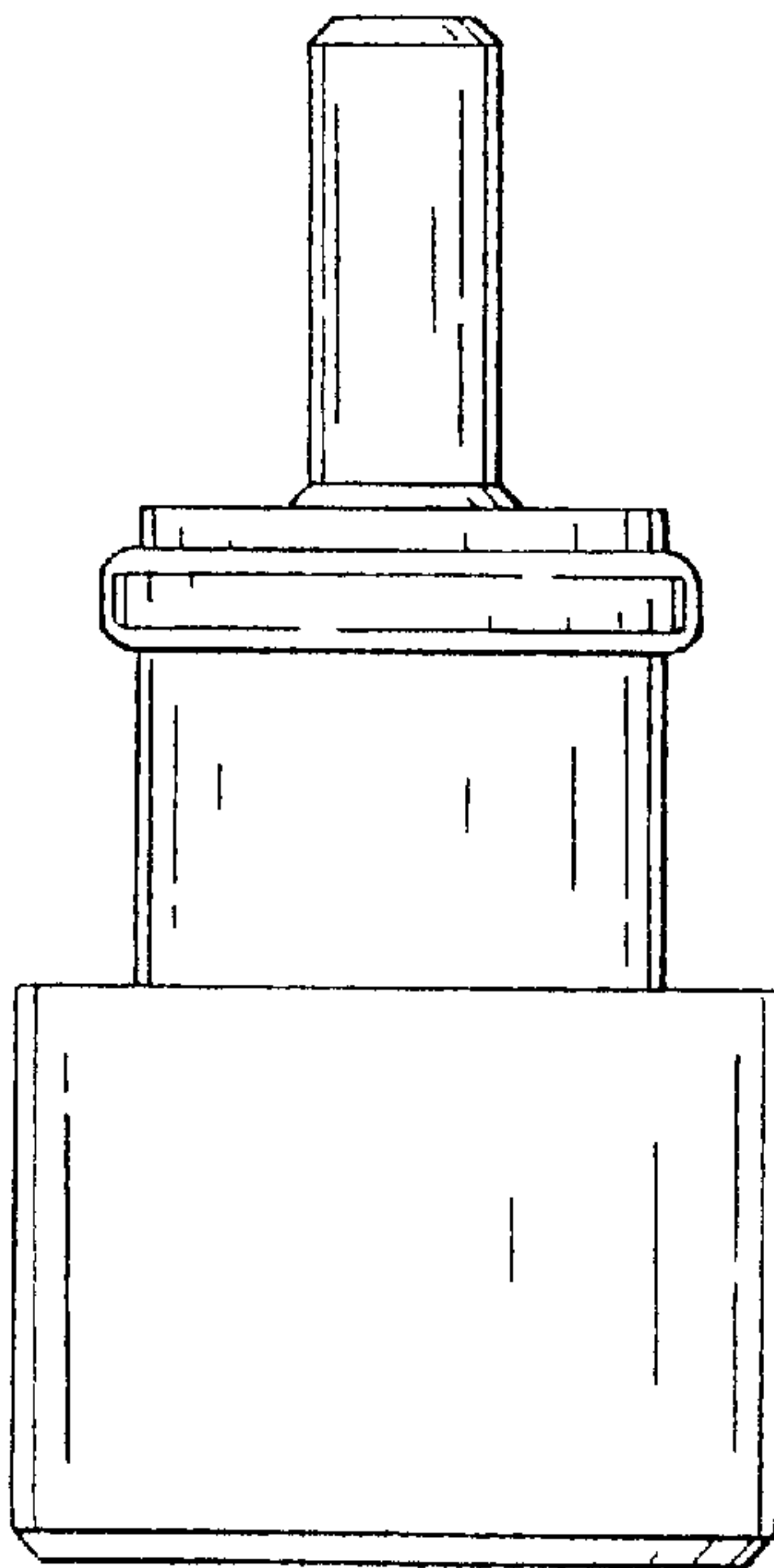


FIG. 5

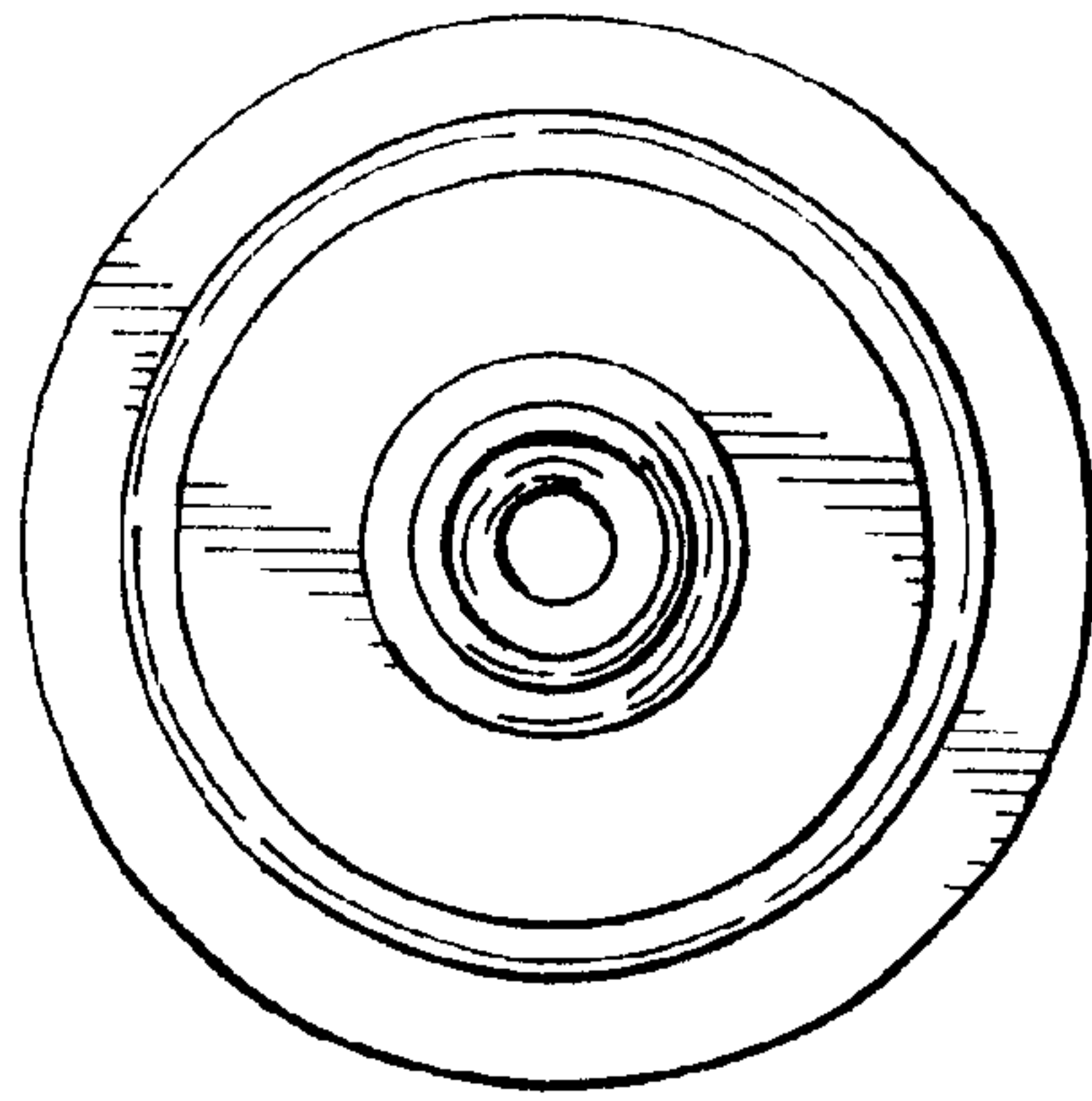


FIG. 6

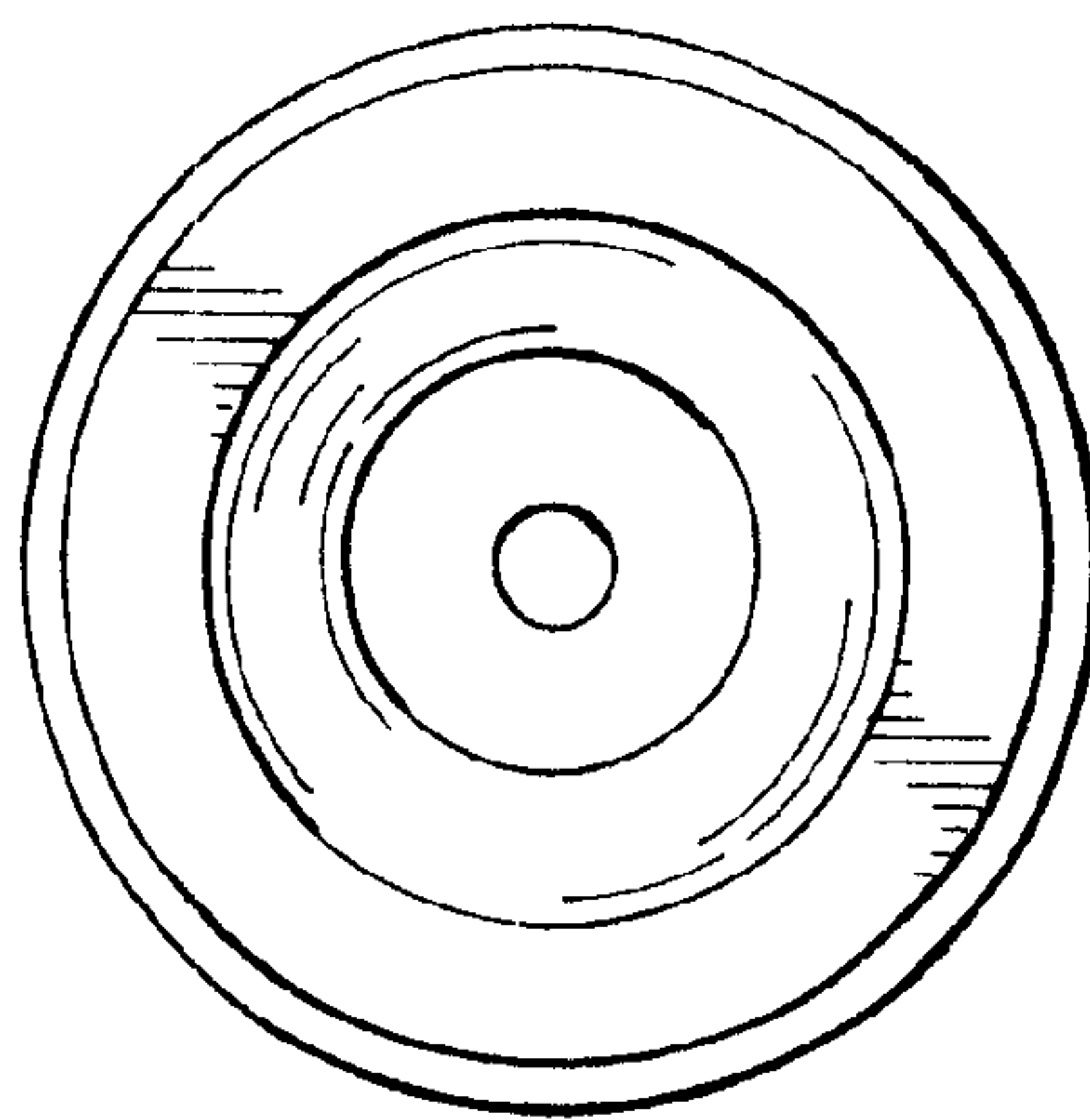


FIG. 7