



US00D470817S

(12) **United States Design Patent**
Oohashi et al.

(10) **Patent No.:** **US D470,817 S**

(45) **Date of Patent:** **** Feb. 25, 2003**

(54) **STATOR OF VEHICLE ALTERNATOR**

FOREIGN PATENT DOCUMENTS

(75) Inventors: **Atsushi Oohashi**, Tokyo (JP);
Yoshihito Asao, Tokyo (JP)
(73) Assignee: **Mitsubishi Denki Kabushiki Kaisha**,
Tokyo (JP)
(**) Term: **14 Years**

JP	1041849	*	6/1999
JP	1041849-001	*	6/1999
JP	1041849-002	*	6/1999
JP	1041849-003	*	2/2000
JP	1041849-004	*	7/2000
JP	1041849-005	*	7/2000
JP	1041849-006	*	7/2000
JP	1041849-007	*	7/2000

(21) Appl. No.: **29/150,088**
(22) Filed: **Nov. 2, 2001**

* cited by examiner

(30) **Foreign Application Priority Data**

Primary Examiner—Lisa Lichtenstein
(74) *Attorney, Agent, or Firm*—Oblon, Spivak, McClelland,
Maier & Neustadt, P.C.

Jun. 29, 2001 (JP) 2001-019025

(51) **LOC (7) Cl.** **13-01**
(52) **U.S. Cl.** **D13/118**
(58) **Field of Search** D13/118, 122;
310/68 B, 263, 156

(57) **CLAIM**

The ornamental design for a stator of vehicle alternator, as shown and described.

(56) **References Cited**

DESCRIPTION

U.S. PATENT DOCUMENTS

4,710,657 A	*	12/1987	Ocken et al.	310/62
4,741,098 A	*	5/1988	Barrera	29/596
D425,857 S	*	5/2000	Umeda et al.	D13/118
D426,191 S	*	6/2000	Umeda et al.		
D447,114 S		8/2001	Asao et al.		
D447,115 S		8/2001	Asao et al.		
D447,731 S		9/2001	Asao et al.		
D448,004 S		9/2001	Asao et al.		
D448,343 S		9/2001	Asao et al.		
D448,729 S		10/2001	Asao et al.		

FIG. 1 is a front, and top side perspective view of a stator of vehicle alternator showing our new design;
FIG. 2 is a front elevational view thereof;
FIG. 3 is a rear elevational view thereof;
FIG. 4 is a top plan view thereof;
FIG. 5 is a bottom plan view thereof;
FIG. 6 is a right side elevational view thereof; and,
FIG. 7 is a left side elevational view thereof.
The broken lines in the figures are for illustrative purposes only and form no part of the claimed design.

1 Claim, 5 Drawing Sheets

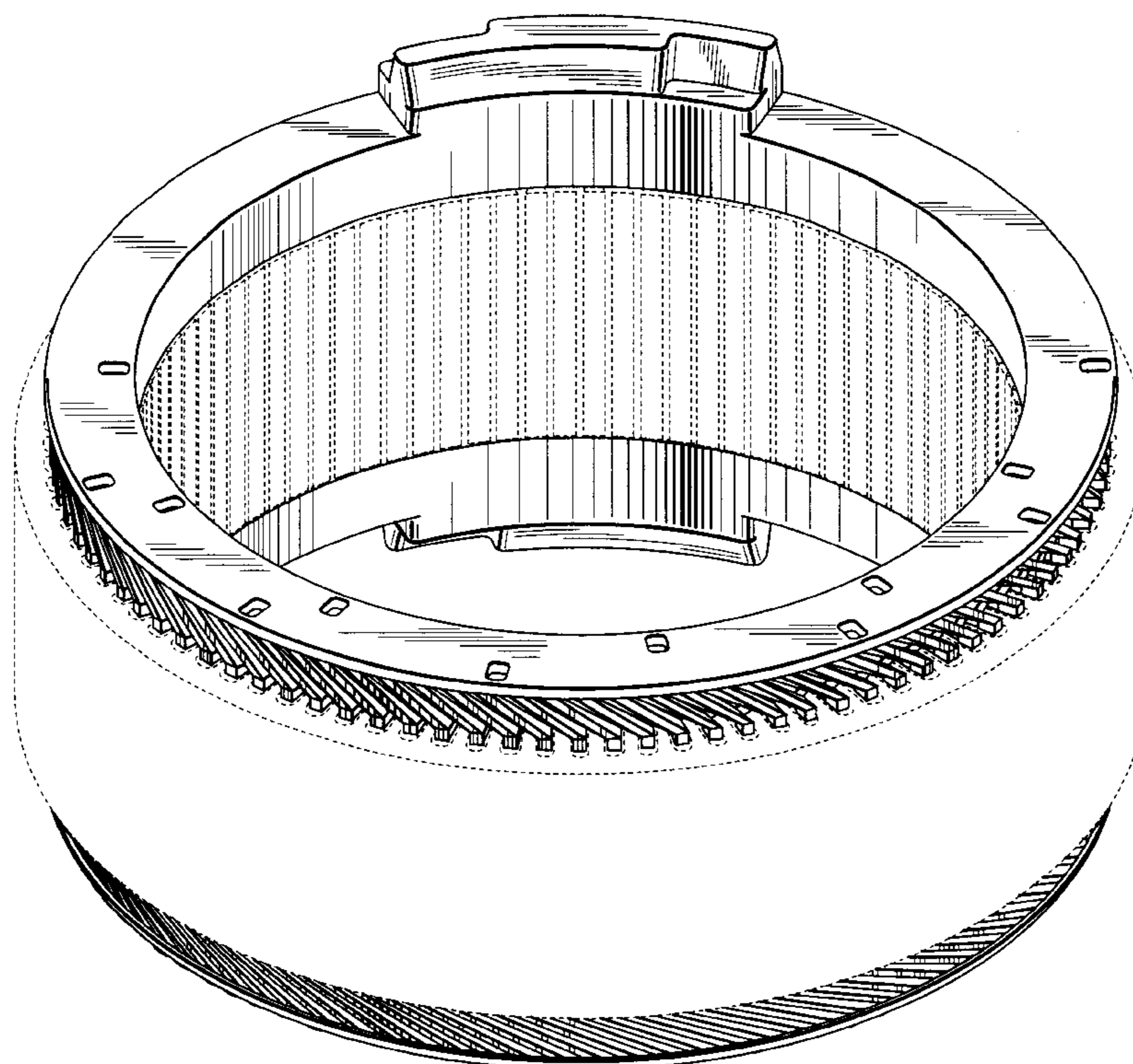


FIG. 1

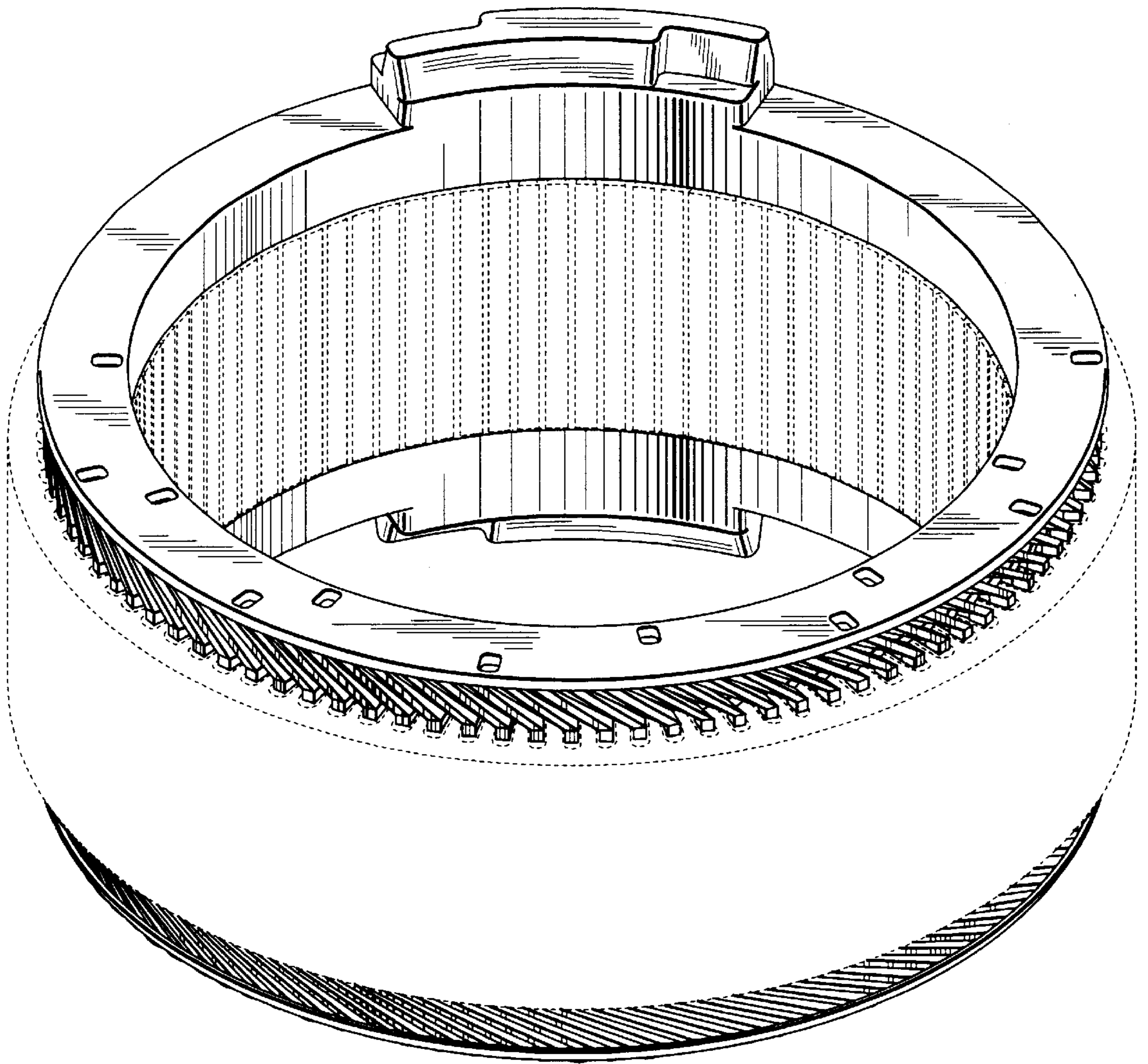


FIG.2

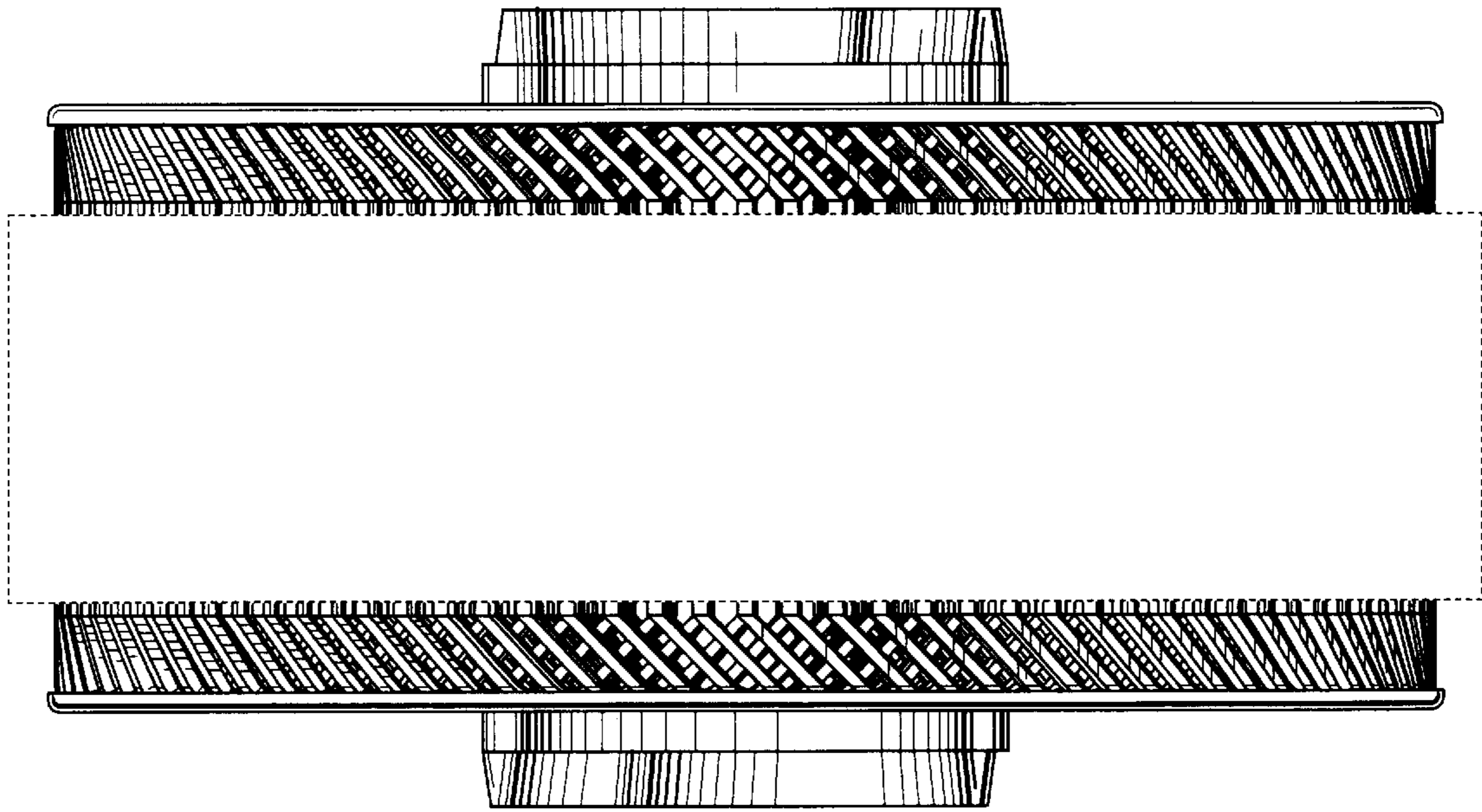


FIG.3

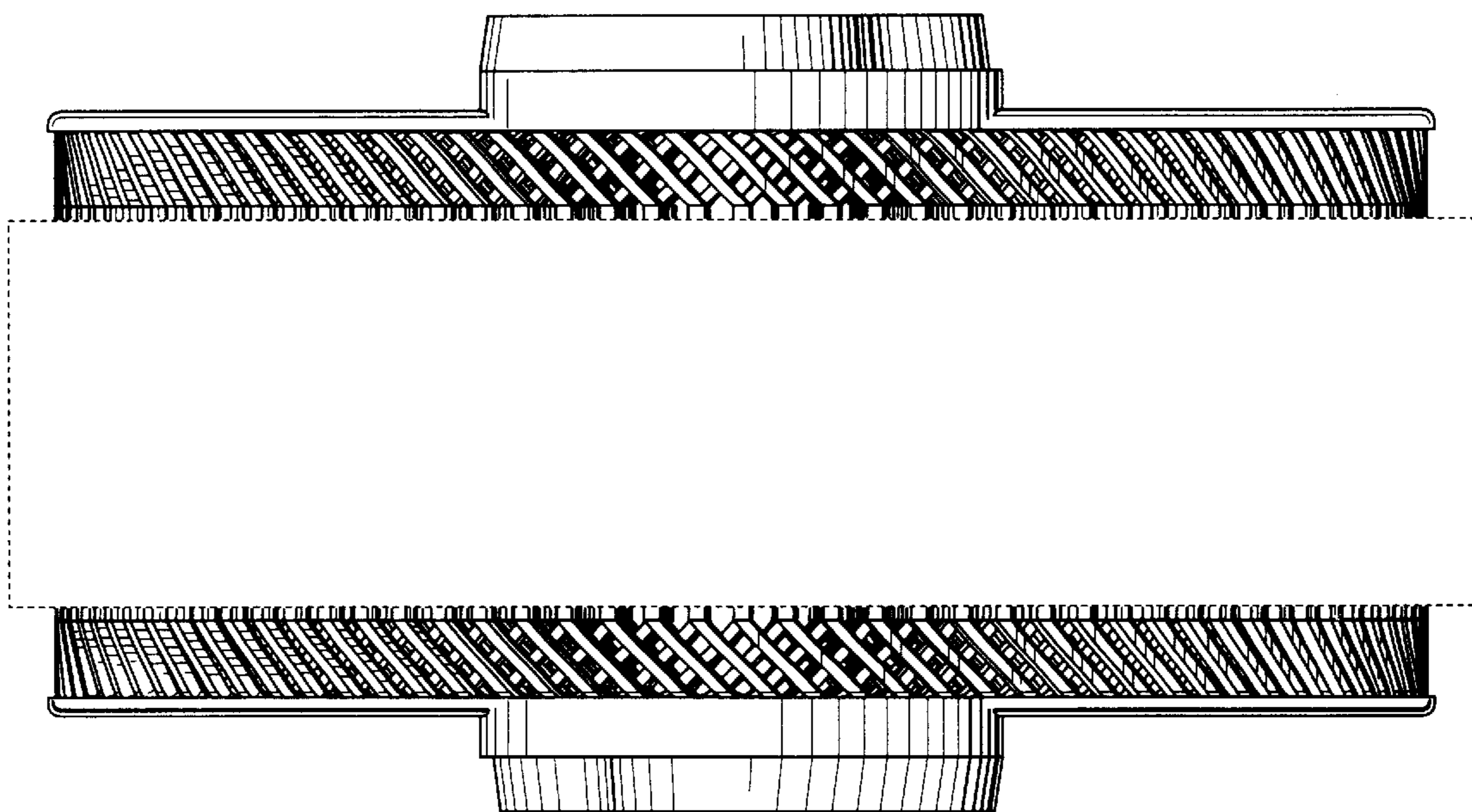


FIG.4

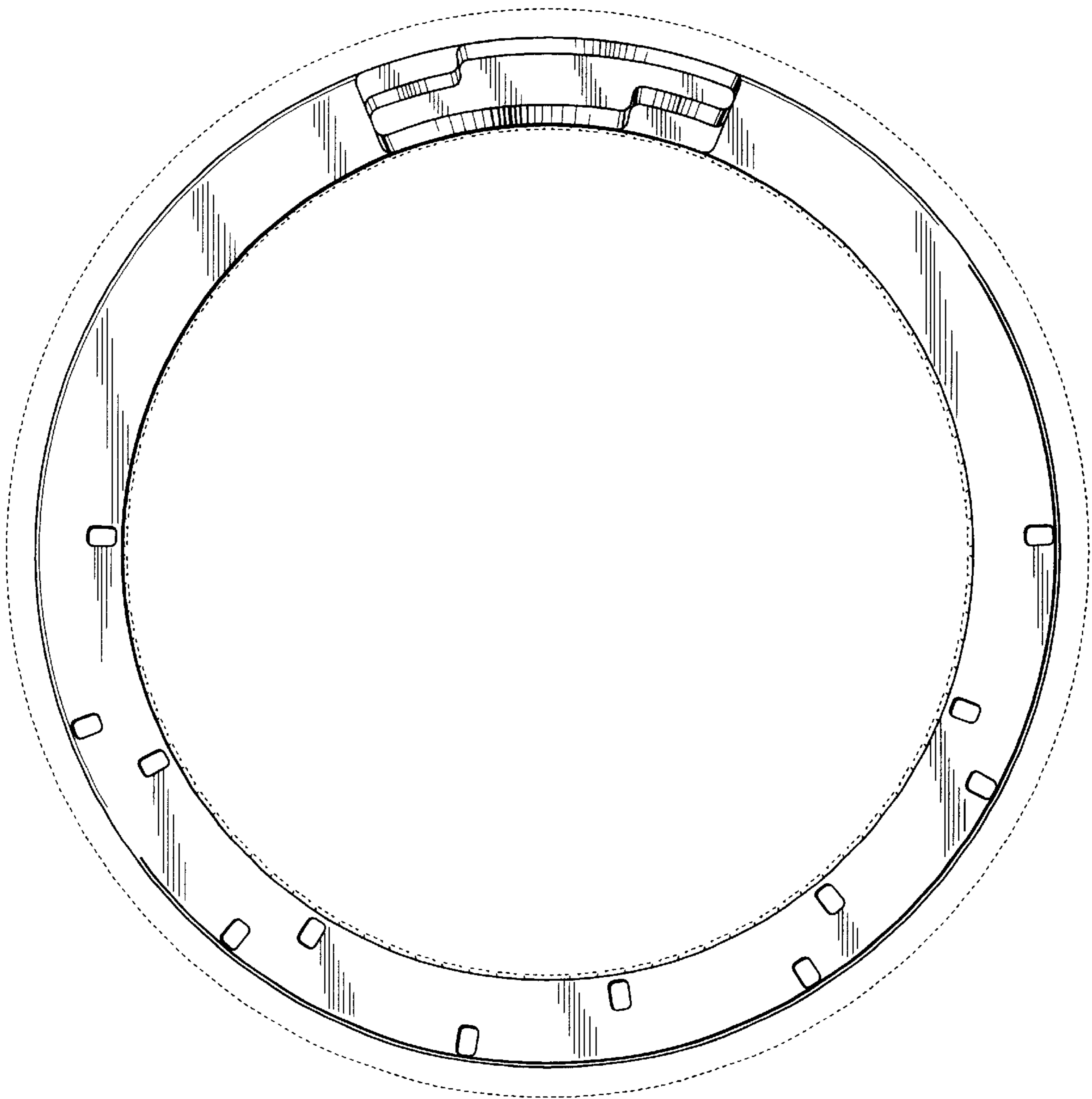


FIG.5

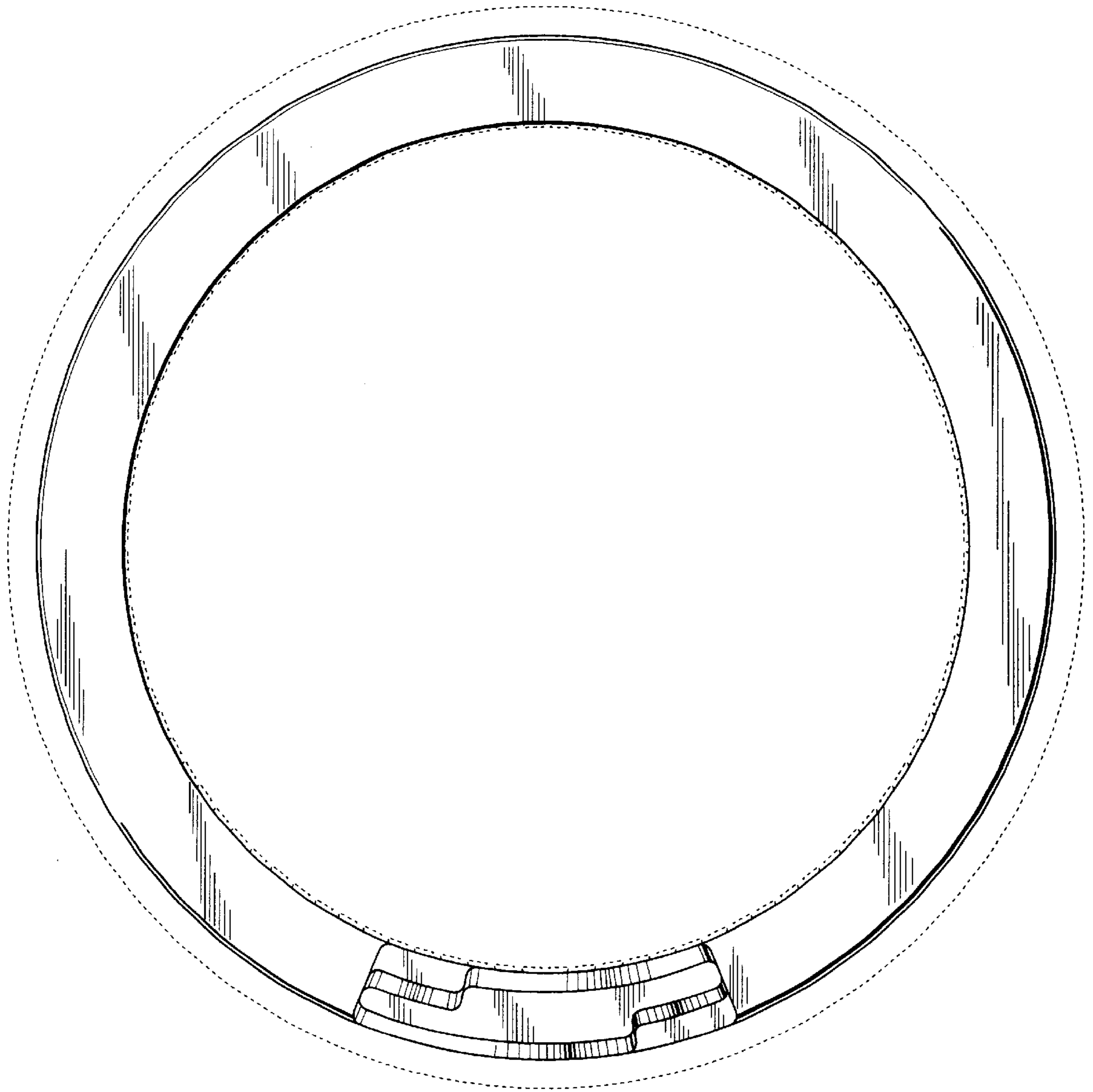


FIG.6

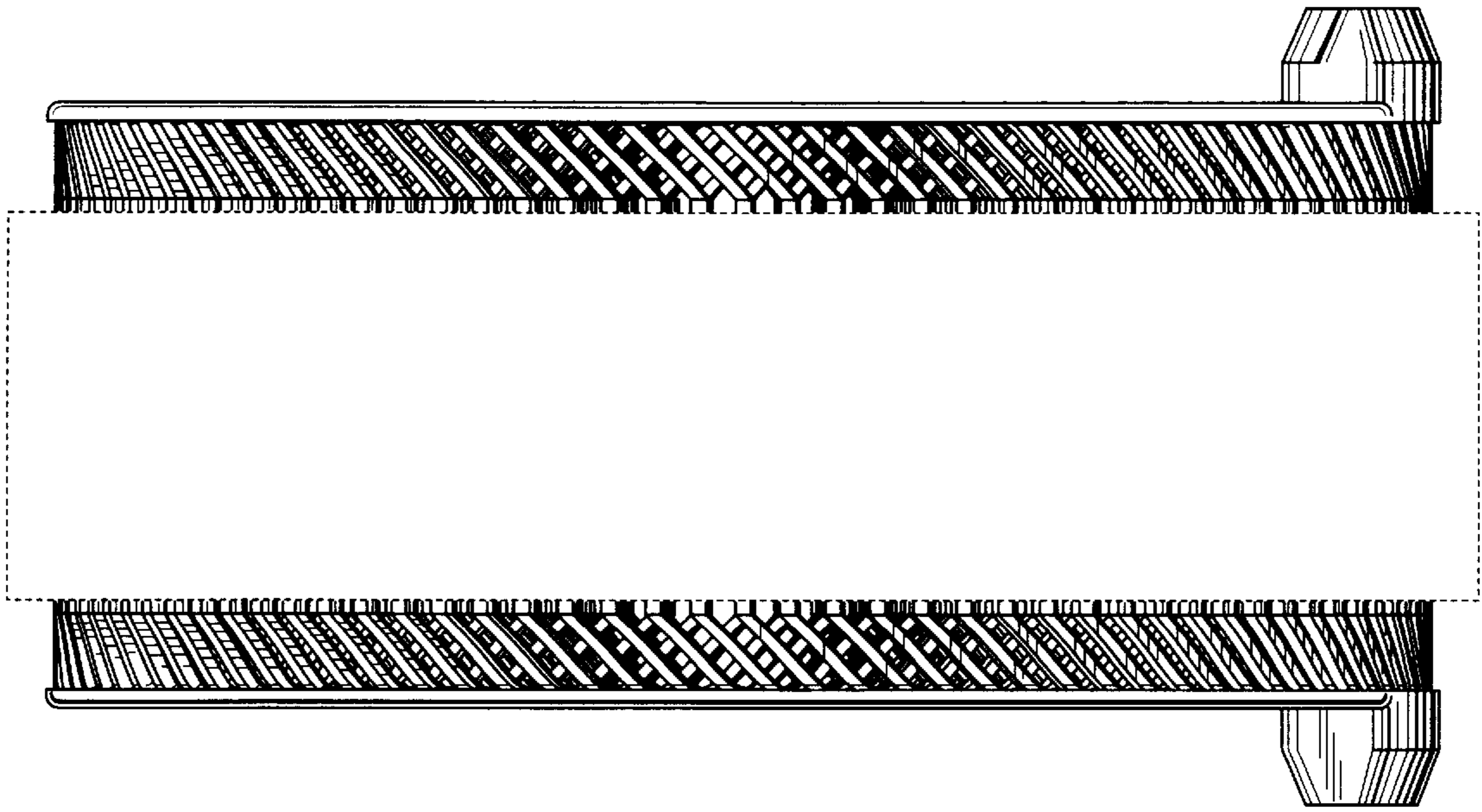


FIG.7

