



US00D470816S

(12) **United States Design Patent**
Thackray et al.

(10) **Patent No.:** **US D470,816 S**

(45) **Date of Patent:** **** Feb. 25, 2003**

(54) **LASER HEAD**

4,507,789 A * 3/1985 Daly et al. 372/35
D288,435 S * 2/1987 Tanner D13/101

(75) Inventors: **Philip C. Thackray**, Mars, PA (US);
Micki Downey, San Jose, CA (US)

* cited by examiner

(73) Assignees: **Spectra Physics, Inc.**, Mountain View,
CA (US); **Laser Drive, Inc.**, Gibsonia,
PA (US)

Primary Examiner—Lisa Lichtenstein
(74) *Attorney, Agent, or Firm*—Paul Davis; Heller Ehrman
White & McAuliffe

(**) Term: **14 Years**

(57) **CLAIM**

The ornamental design for a laser head, as shown and described.

(21) Appl. No.: **29/143,579**

(22) Filed: **Jun. 15, 2001**

DESCRIPTION

(51) **LOC (7) Cl.** **13-02**

FIG. 1 is a perspective view of the laser head under the embodiment of the invention.

(52) **U.S. Cl.** **D13/101**

FIG. 2 is a front view of the laser head.

(58) **Field of Search** D13/101; 372/35

FIG. 3 is a right view of the laser head.

FIG. 4 is a back view of the laser head.

(56) **References Cited**

U.S. PATENT DOCUMENTS

D214,793 S * 7/1969 Smith et al. D13/101

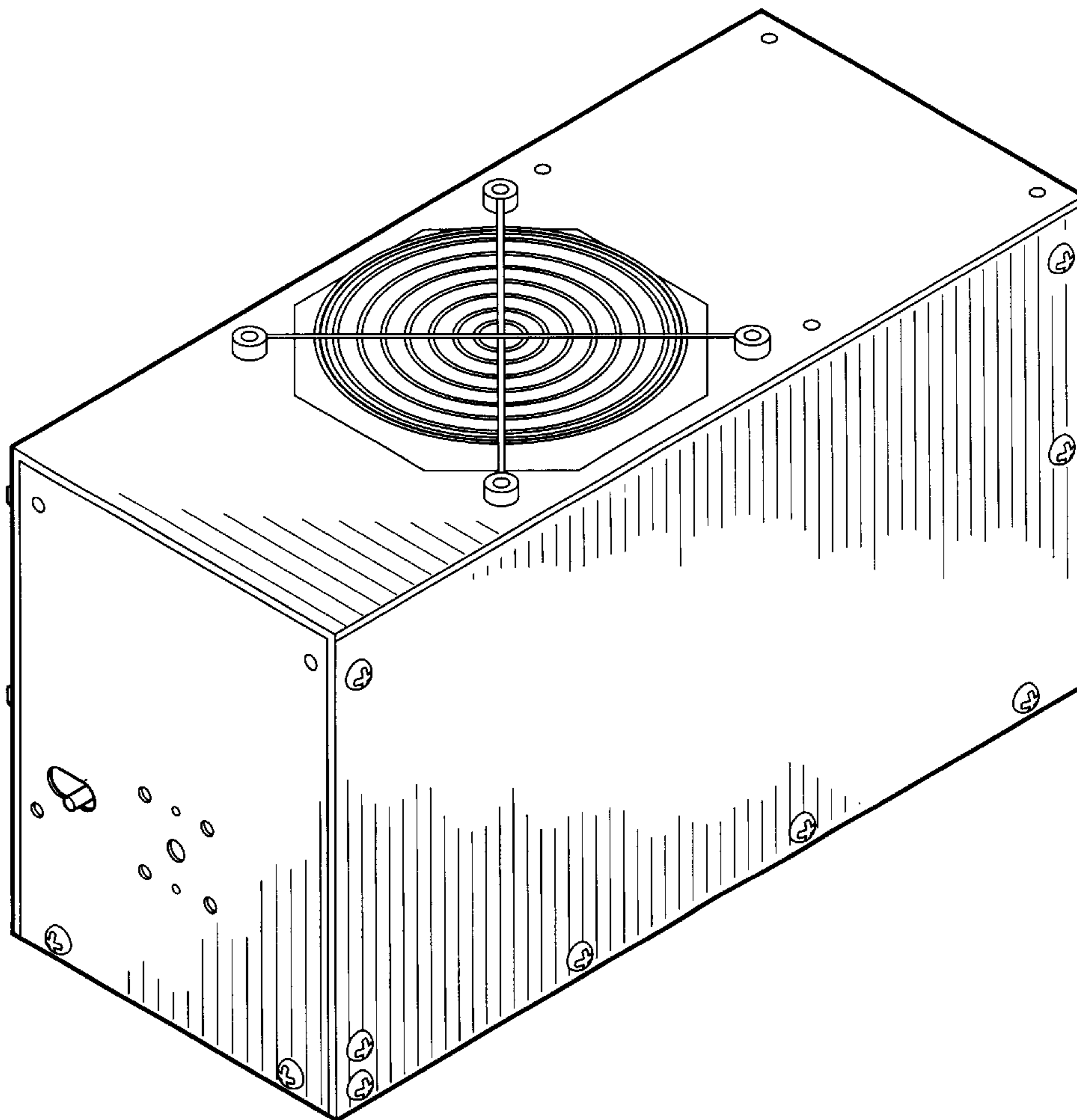
D218,687 S * 9/1970 Reynolds et al. D13/101

FIG. 5 is a left view of the laser head.

FIG. 6 is a top view of the laser head; and,

FIG. 7 is a bottom view of the laser head.

1 Claim, 5 Drawing Sheets



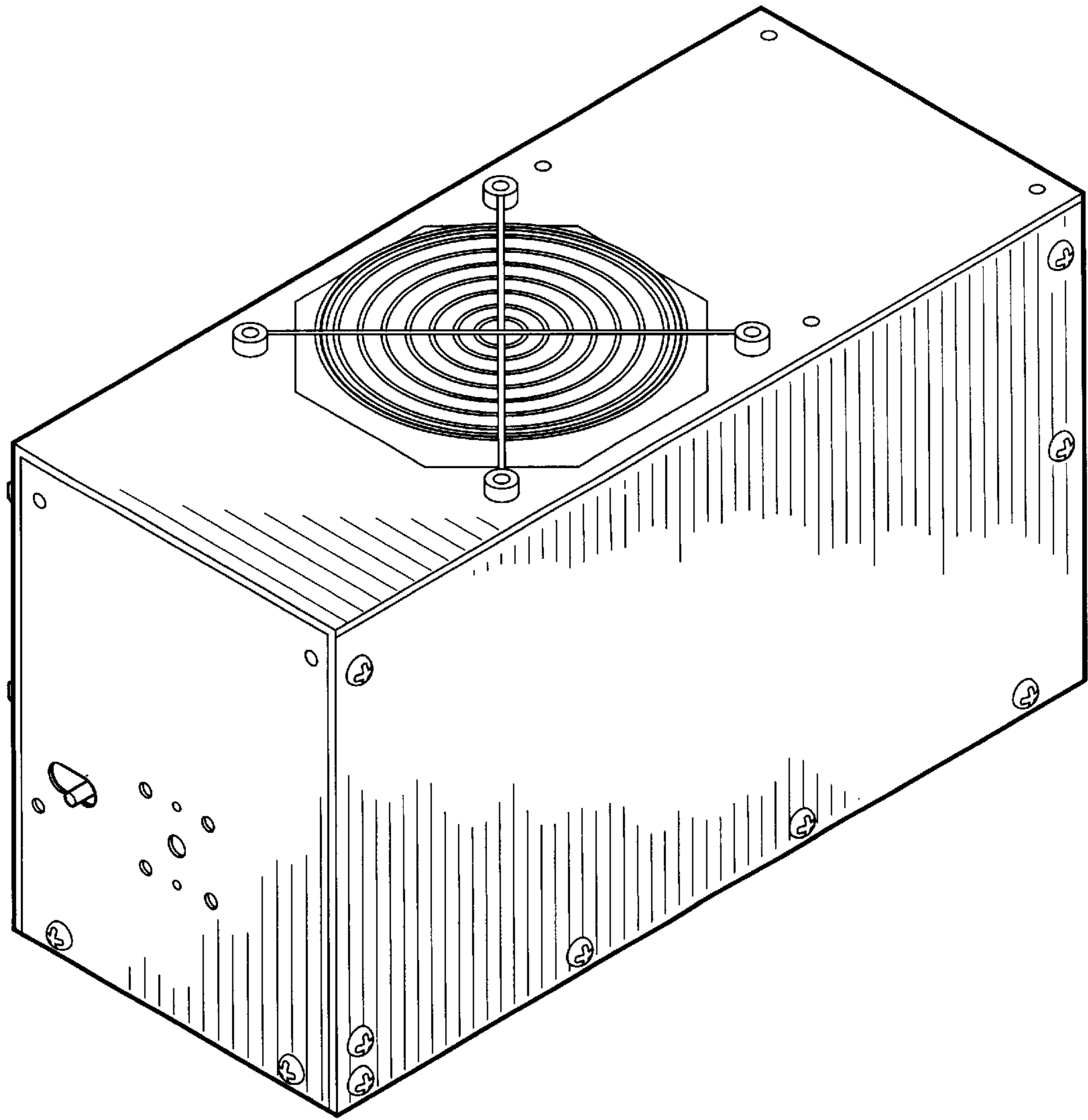


FIG. 1

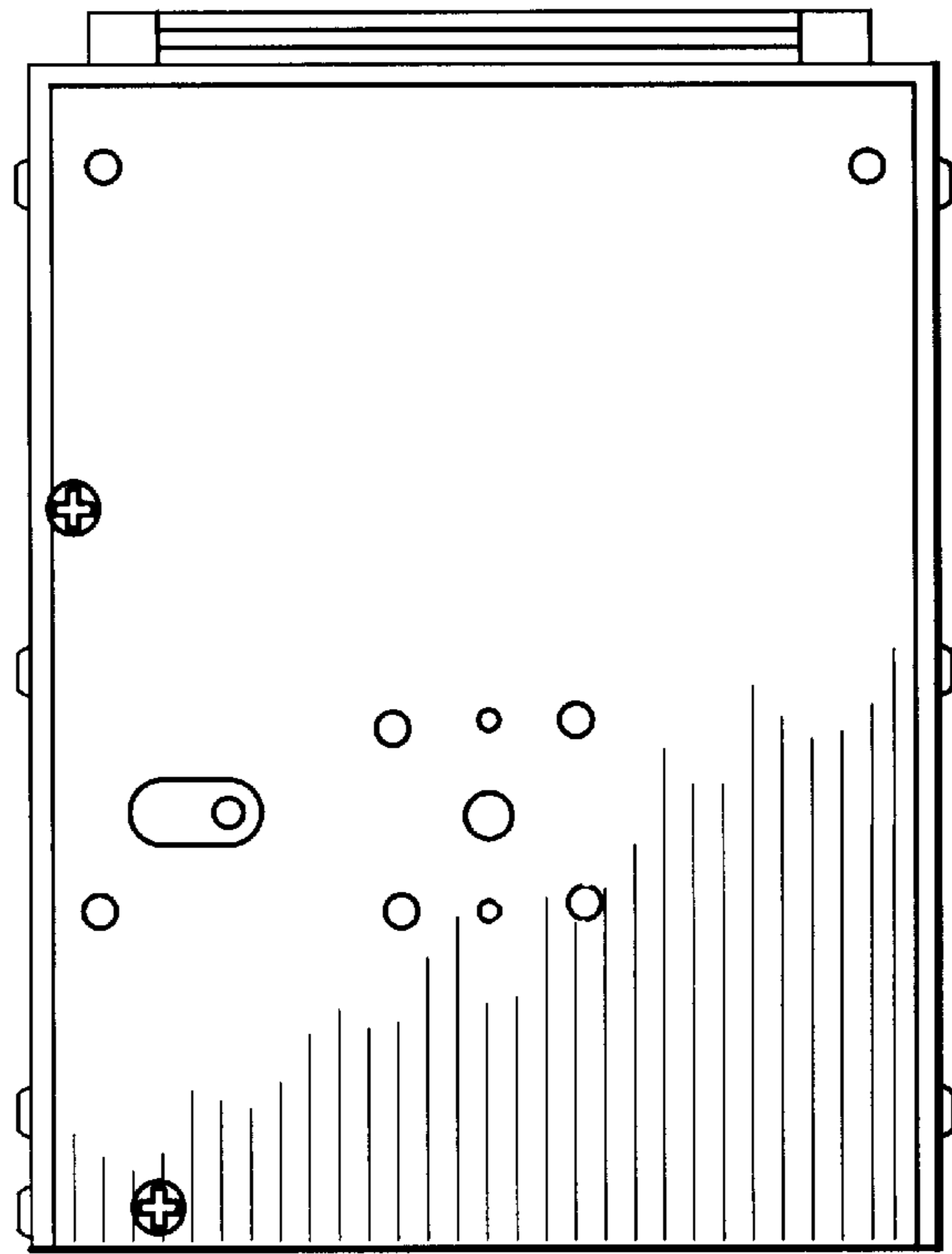


FIG. 2

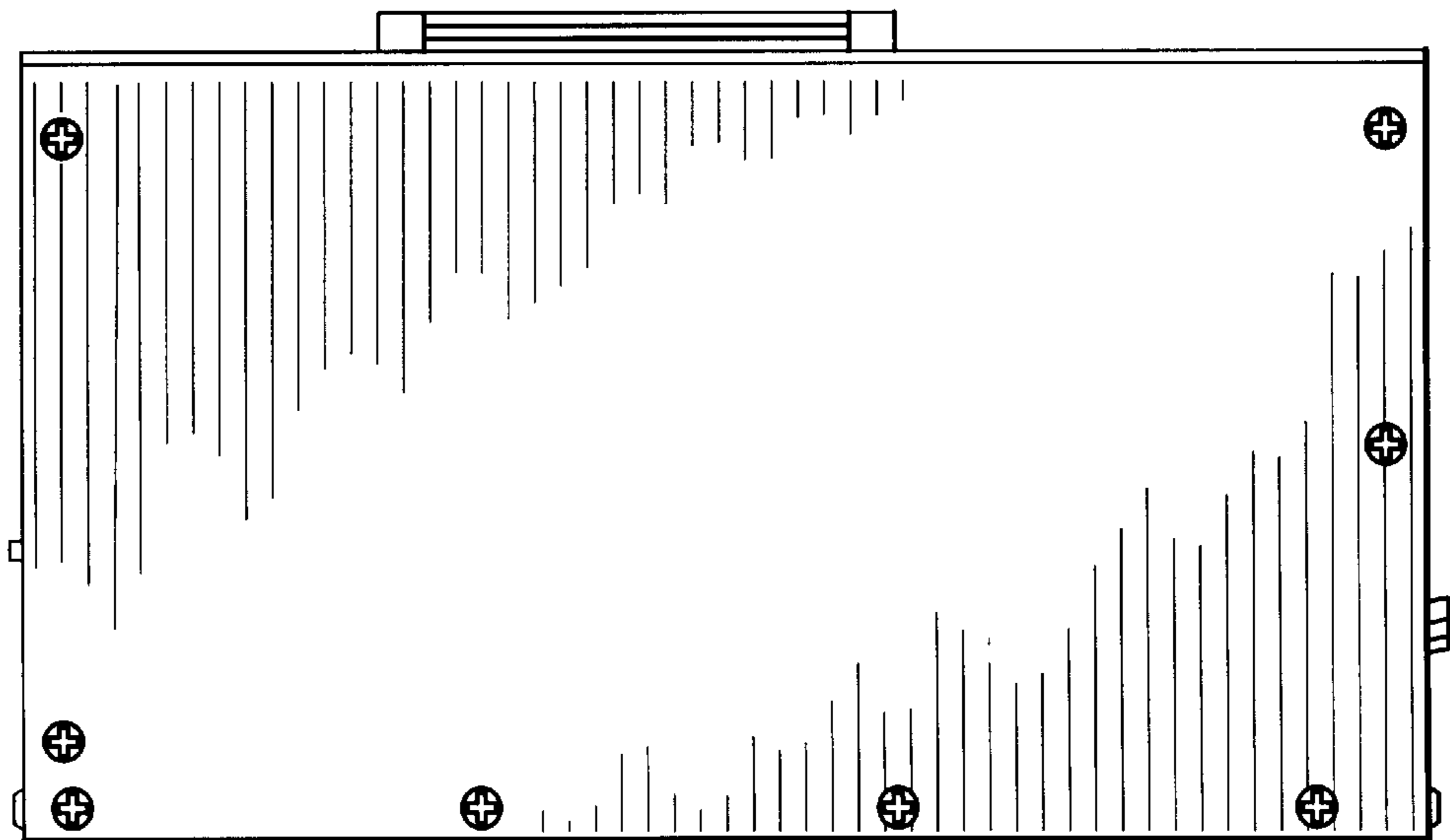


FIG. 3

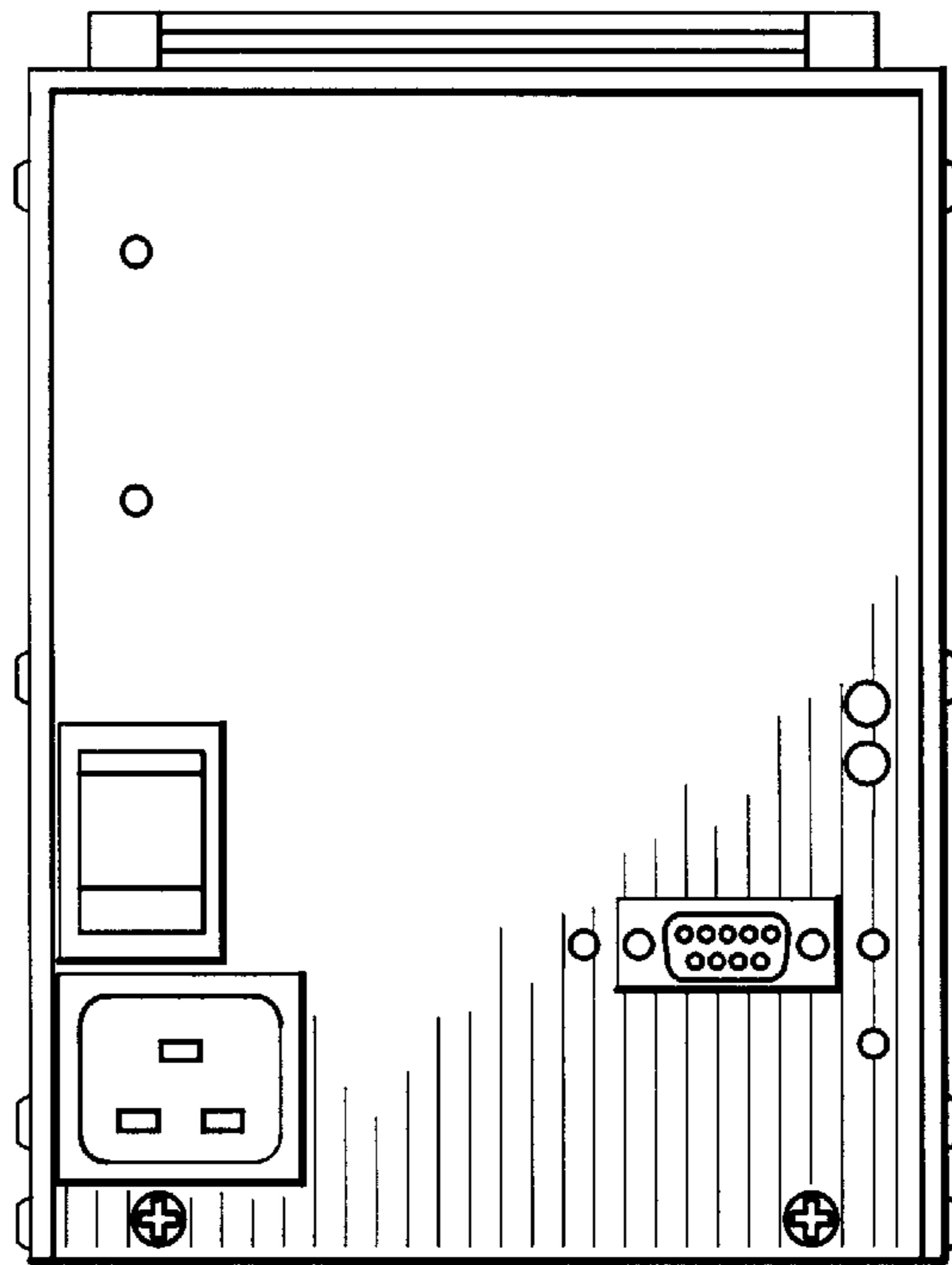


FIG. 4

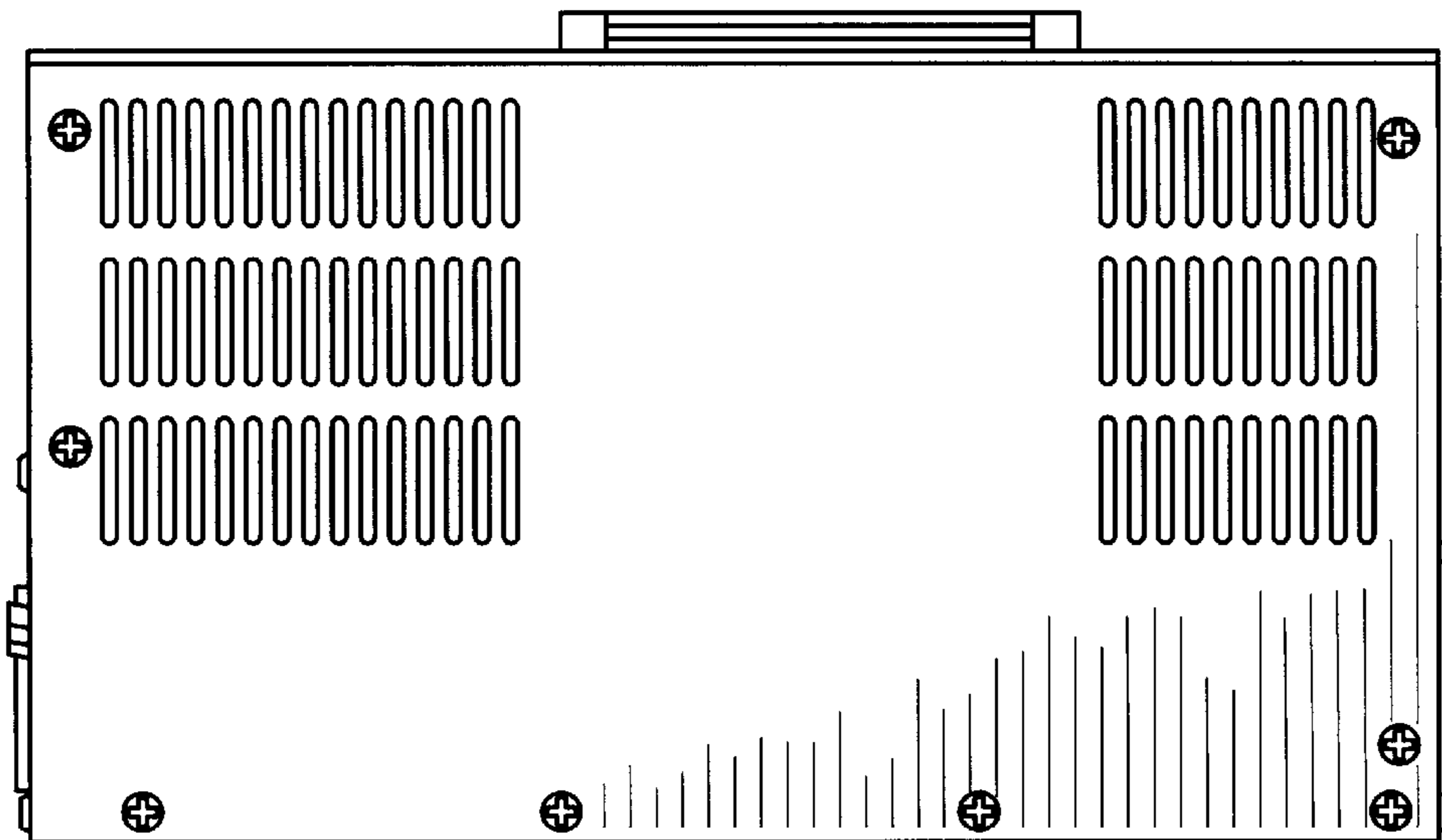


FIG. 5

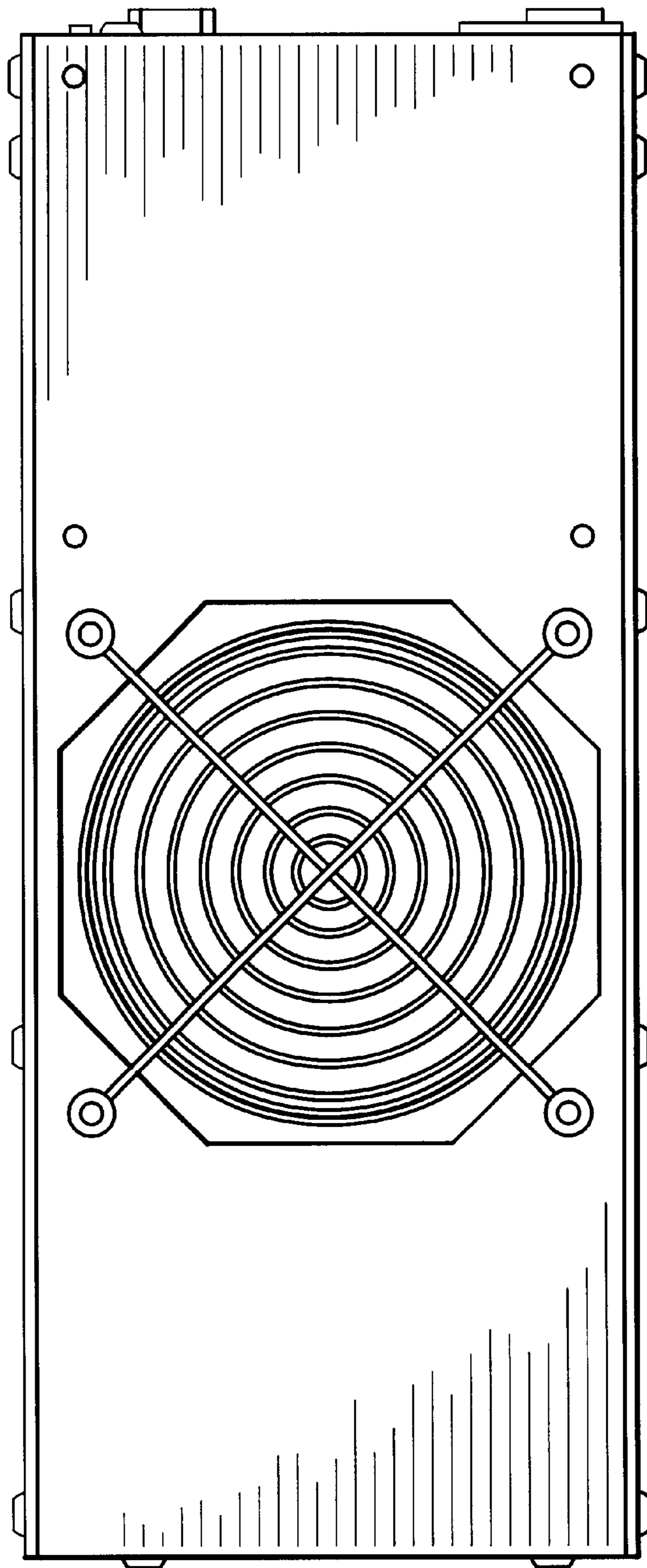


FIG. 6

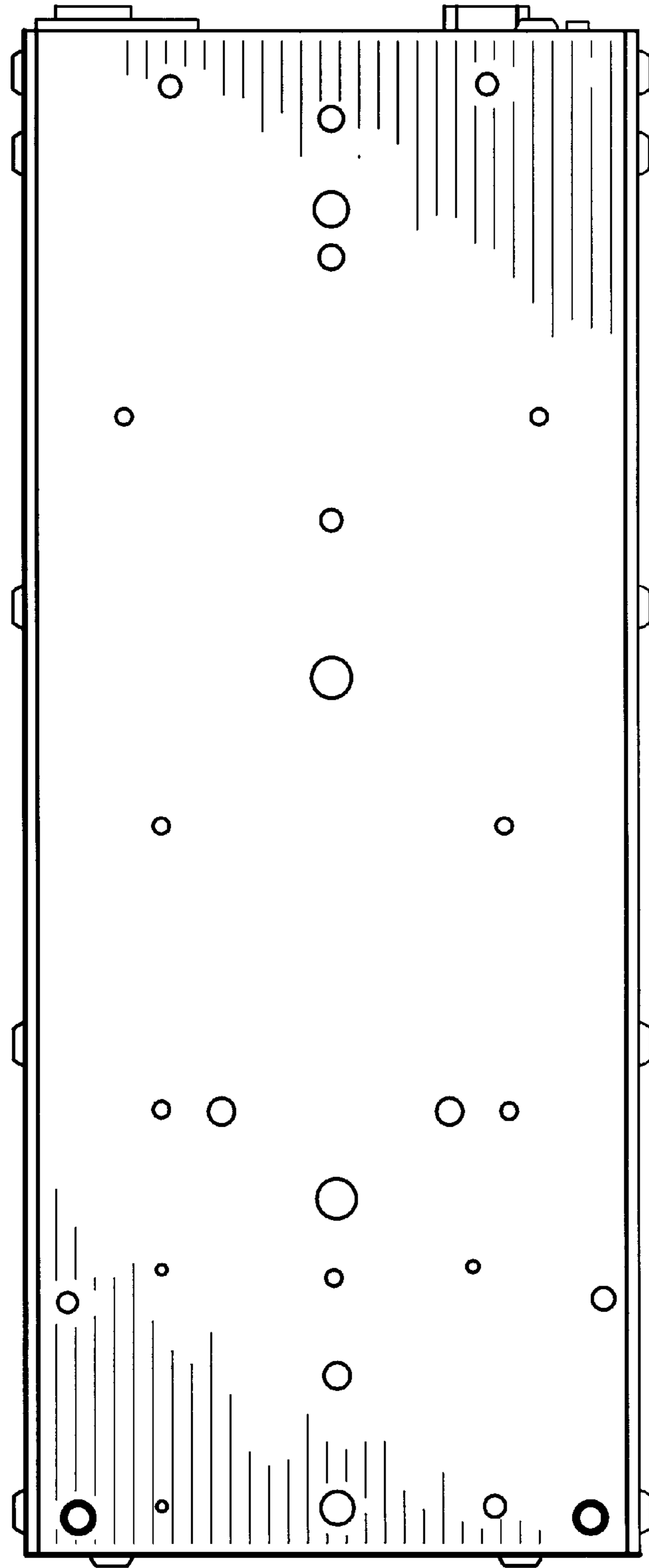


FIG. 7