



US00D470815S

(12) **United States Design Patent**
Gates et al.

(10) **Patent No.:** **US D470,815 S**

(45) **Date of Patent:** **** Feb. 25, 2003**

(54) **SEAT COVER AND STORAGE COMPARTMENT FOR RECREATIONAL VEHICLE**

(75) Inventors: **Stacey L. Gates**, West Jordan, UT (US); **Ronda J. Gates**, West Jordan, UT (US)

(73) Assignee: **All Rite Products, Inc.**, West Jordan, UT (US)

(**) Term: **14 Years**

(21) Appl. No.: **29/154,935**

(22) Filed: **Feb. 1, 2002**

(51) **LOC (7) Cl.** **12-16**

(52) **U.S. Cl.** **D12/407**

(58) **Field of Search** D12/107, 114, D12/407, 409; D6/354, 368, 500, 601; 224/436-439, 418, 428-432, 42.11; 280/288.4; 297/188.01, 188.02, 188.08, 188.12, 188.13, 188.19, 188.21, 195.1, 214

(56) **References Cited**

U.S. PATENT DOCUMENTS

3,603,639 A	9/1971	Wilson	
3,836,196 A	9/1974	Hu	
4,630,863 A	12/1986	Roberts	
4,779,924 A	10/1988	Rudel	
D303,183 S	* 9/1989	Fellenbaum D6/354
4,998,311 A	3/1991	Ernst	
5,088,747 A	2/1992	Morrison et al.	
D340,814 S	* 11/1993	Grant D6/368

5,322,345 A	6/1994	Desser et al.	
5,634,685 A	6/1997	Herring	
5,890,639 A	* 4/1999	Hancock et al. 224/42.11
5,890,760 A	4/1999	Kirstein	
5,975,629 A	11/1999	Lorbiecki	
6,009,578 A	1/2000	Davis	
6,012,770 A	1/2000	Rubin	

* cited by examiner

Primary Examiner—Alan P. Douglas

Assistant Examiner—Linda Brooks

(74) *Attorney, Agent, or Firm*—Thorpe North & Western

(57) **CLAIM**

The ornamental design for a seat cover and storage compartment for recreational vehicle, as shown and described.

DESCRIPTION

FIG. 1 is a right rear overhead perspective view of a seat cover and storage compartment for recreational vehicle, shown in condition of use on a recreational vehicle which is shown in broken lines for purposes of illustration only and forms no part of the claimed design.

FIG. 2 is an enlarged overhead view of the seat cover and storage compartment for recreational vehicle, shown in non-use condition.

FIG. 3 is a left side view of FIG. 2.

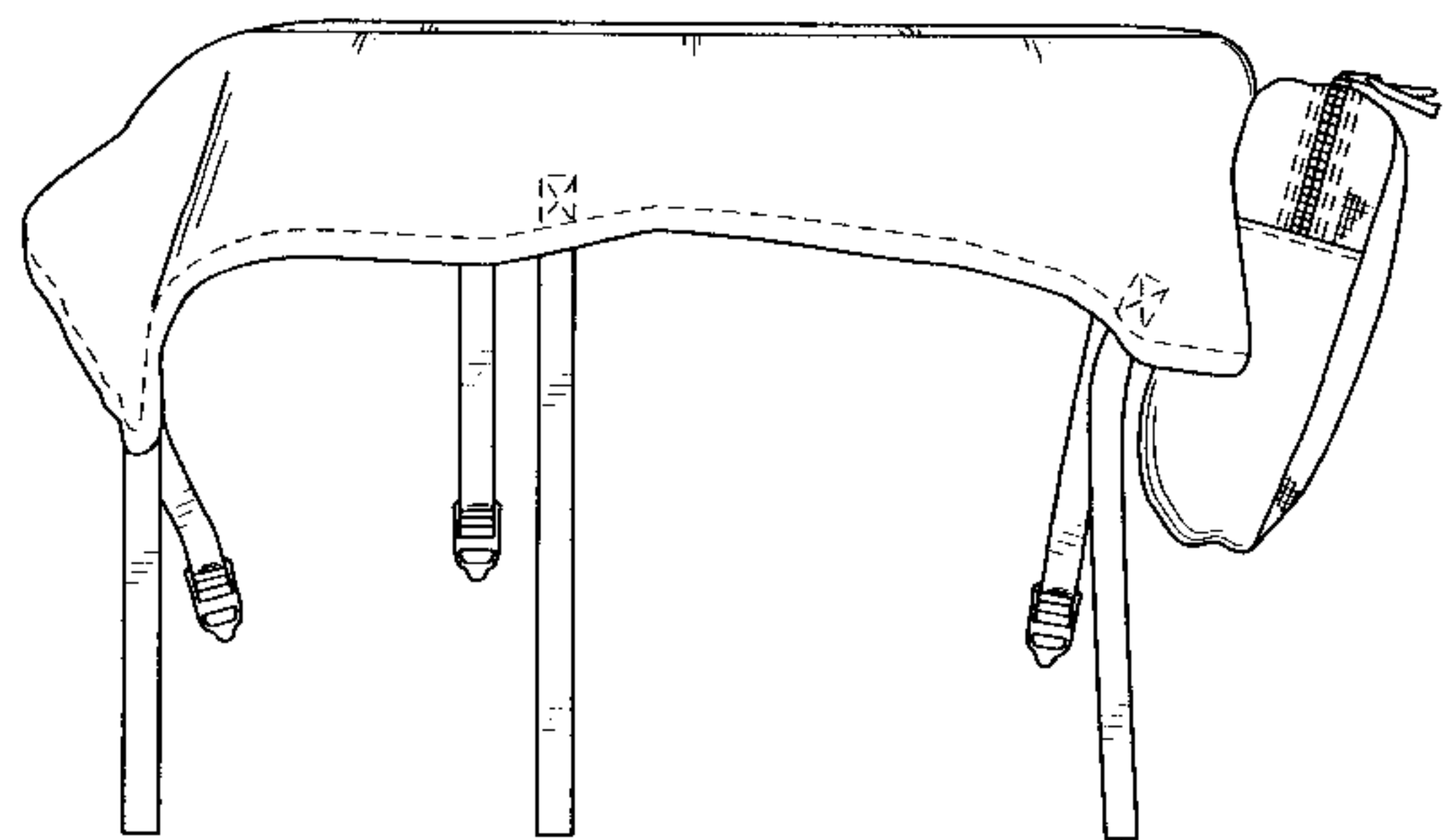
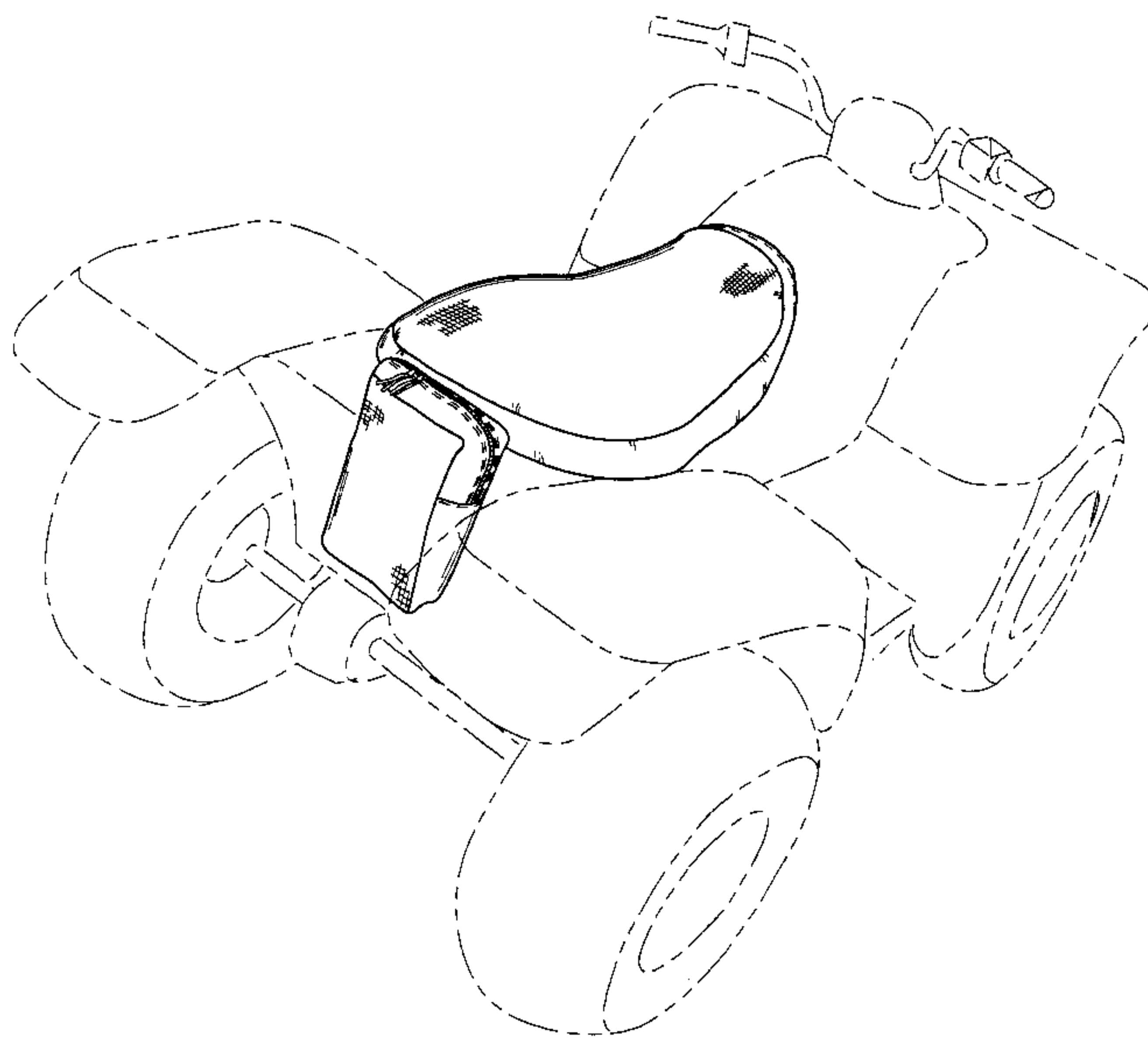
FIG. 4 is a right side view of FIG. 2.

FIG. 5 is a rear view of FIG. 2; and,

FIG. 6 is a front view of FIG. 2.

The broken lines shown within the boundaries of the seat cover and storage compartment for recreational vehicle illustrate stitching.

1 Claim, 4 Drawing Sheets



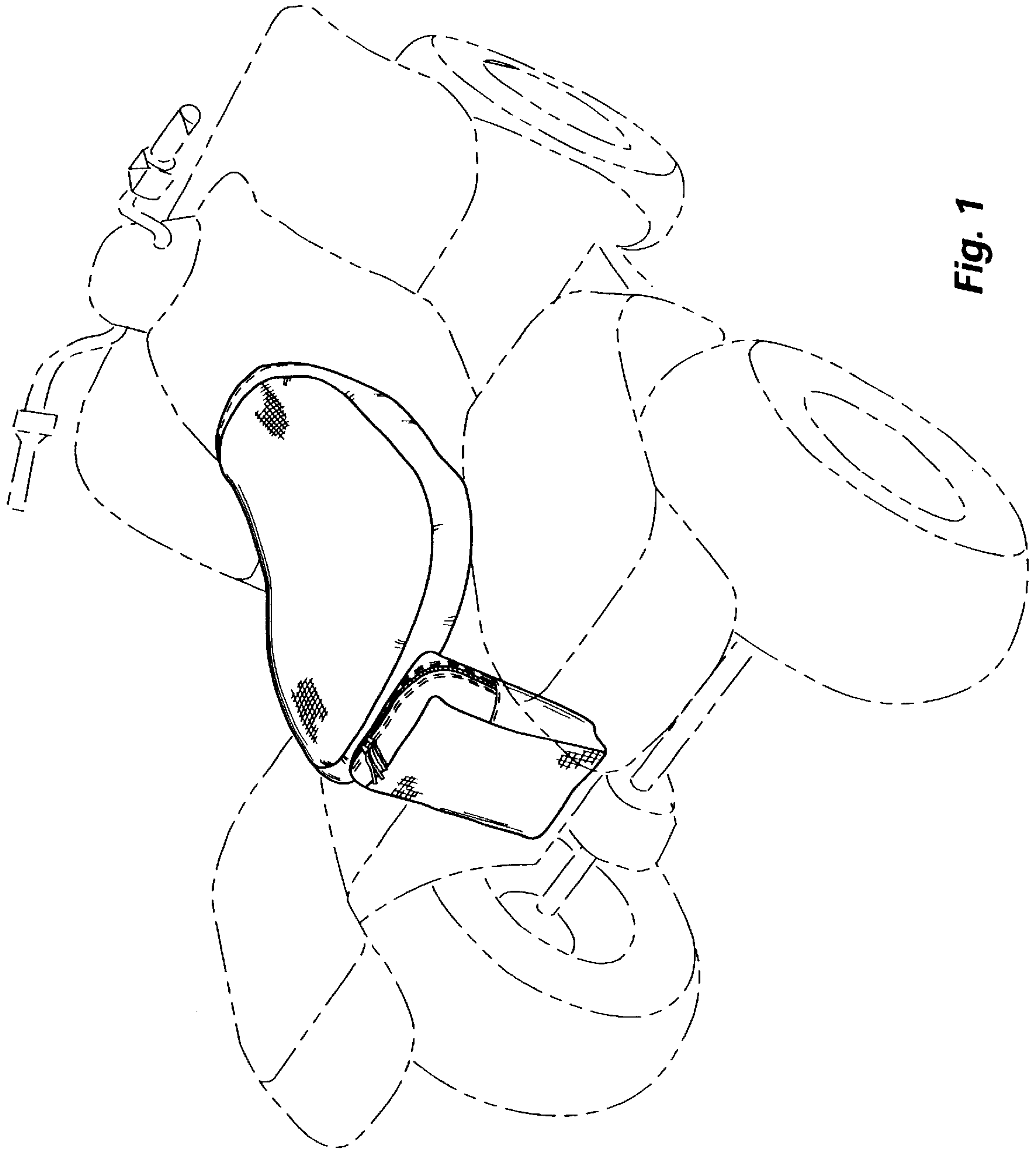


Fig. 1

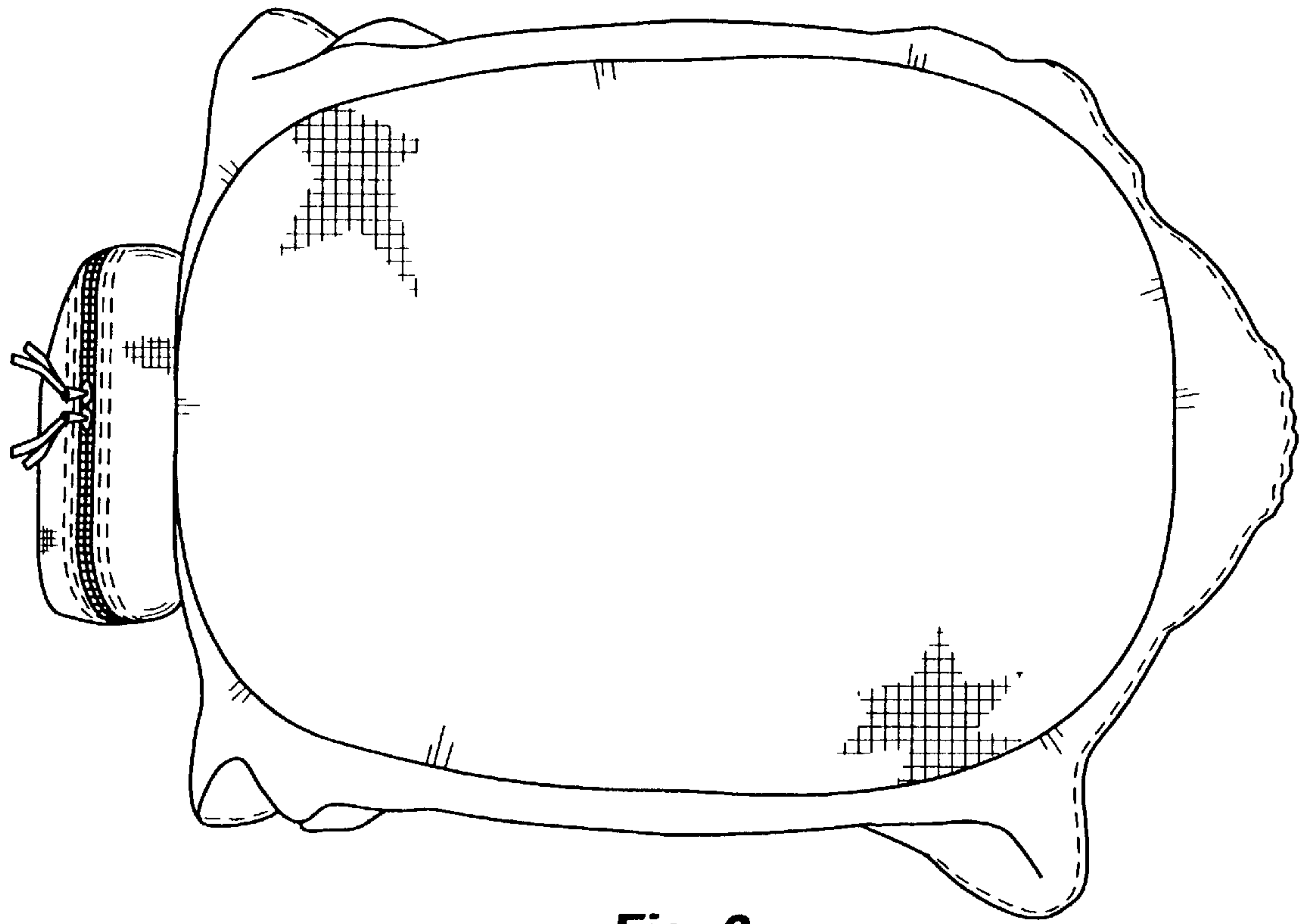


Fig. 2

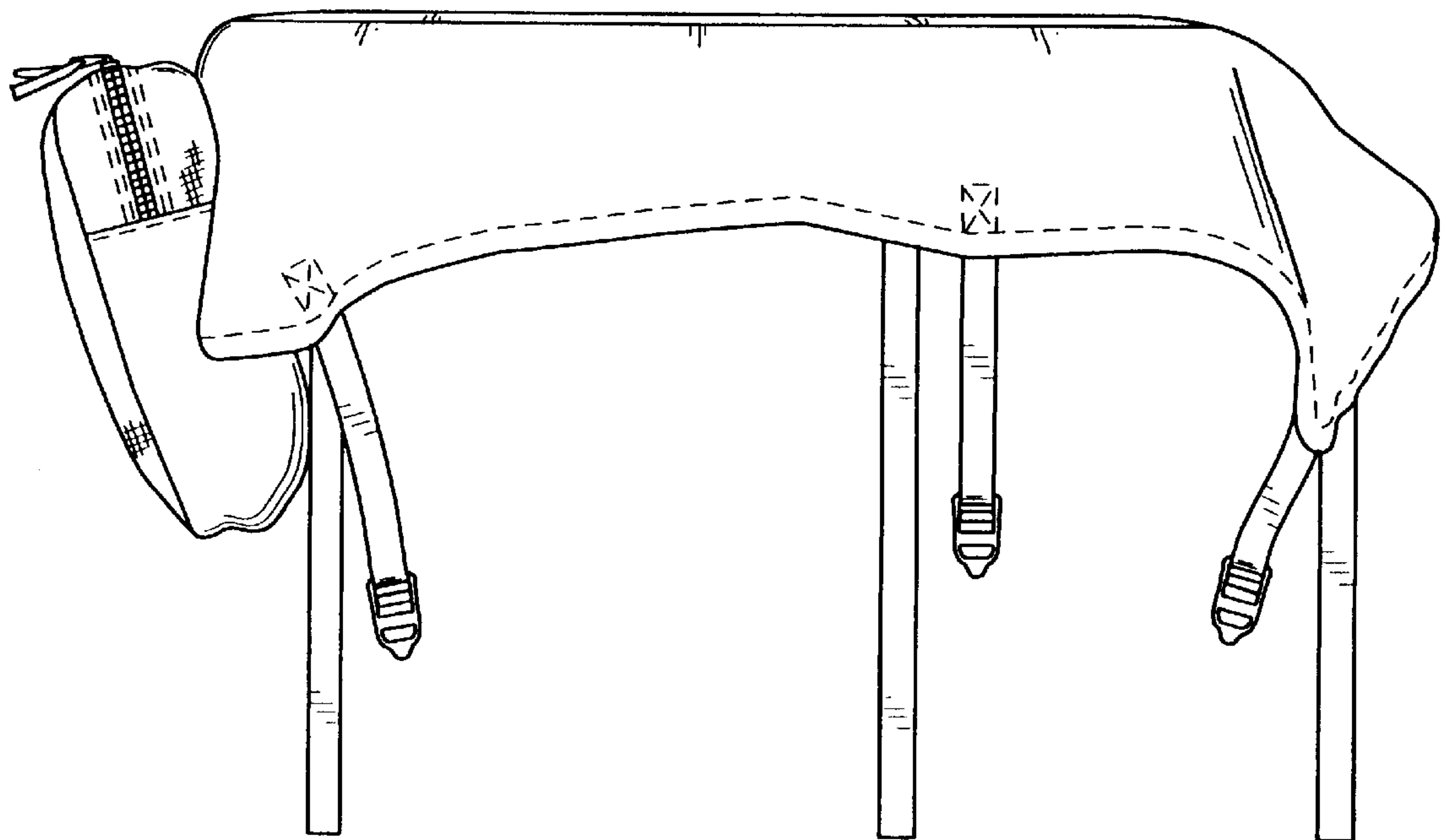


Fig. 3

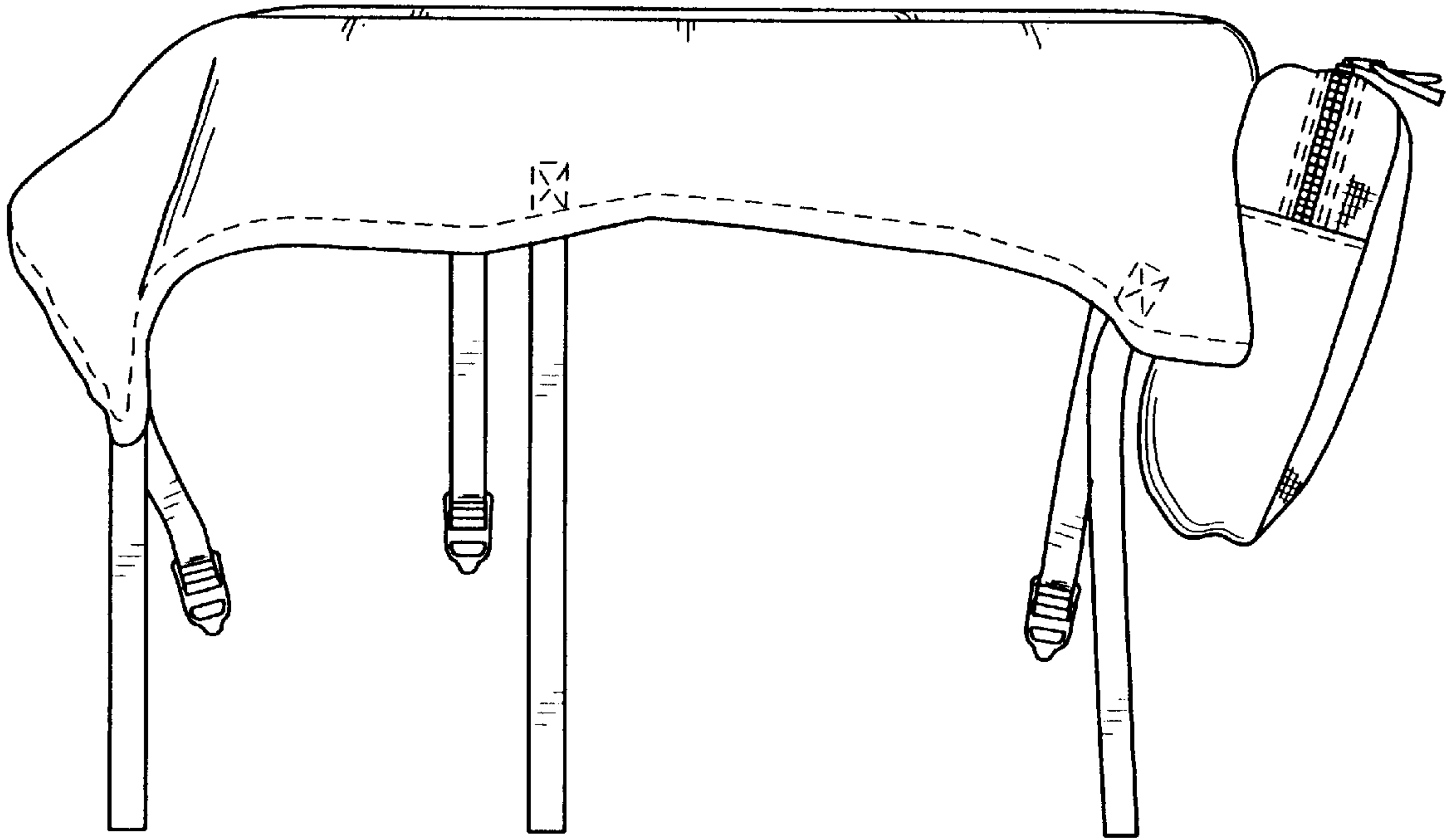


Fig. 4

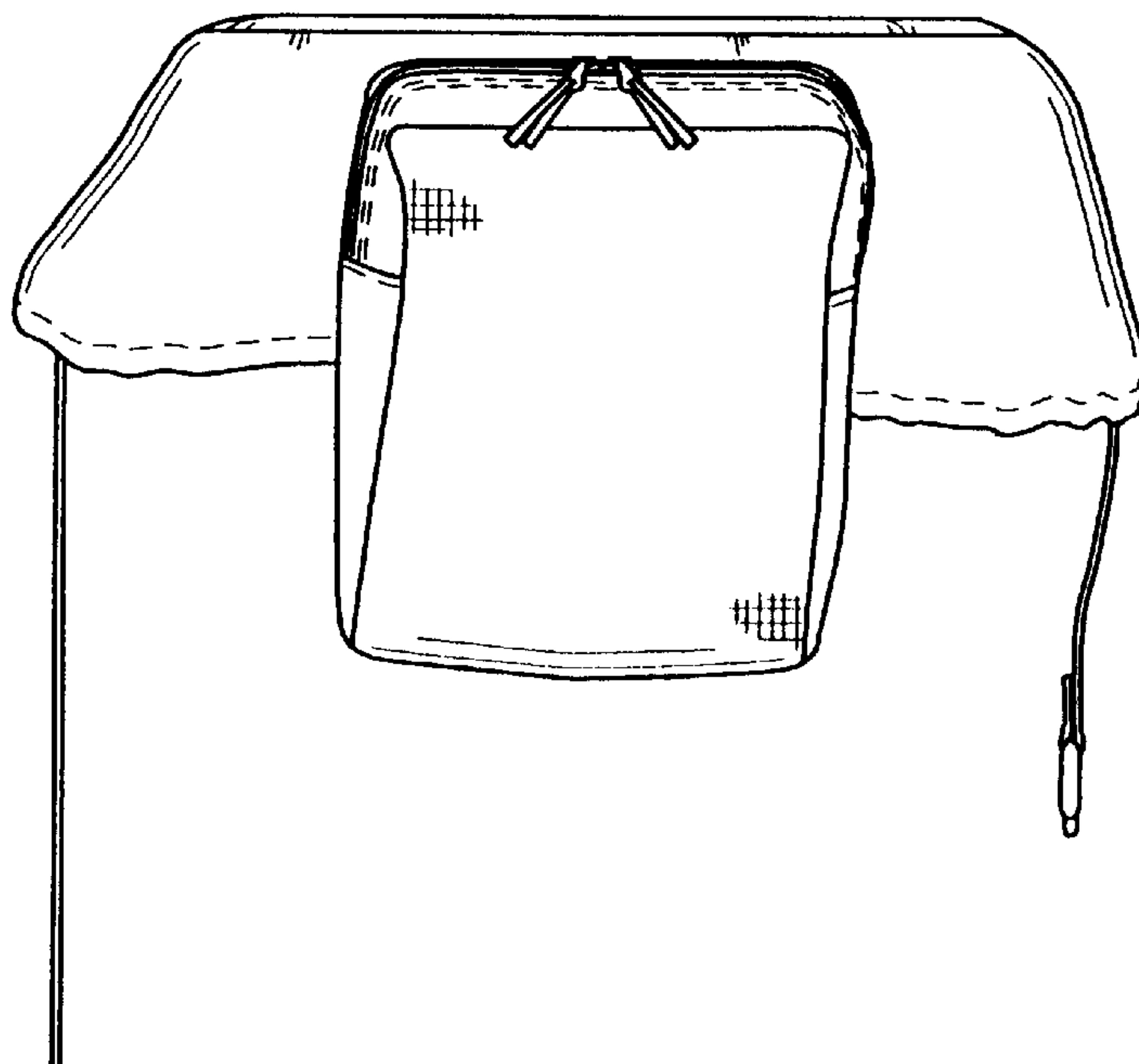


Fig. 5

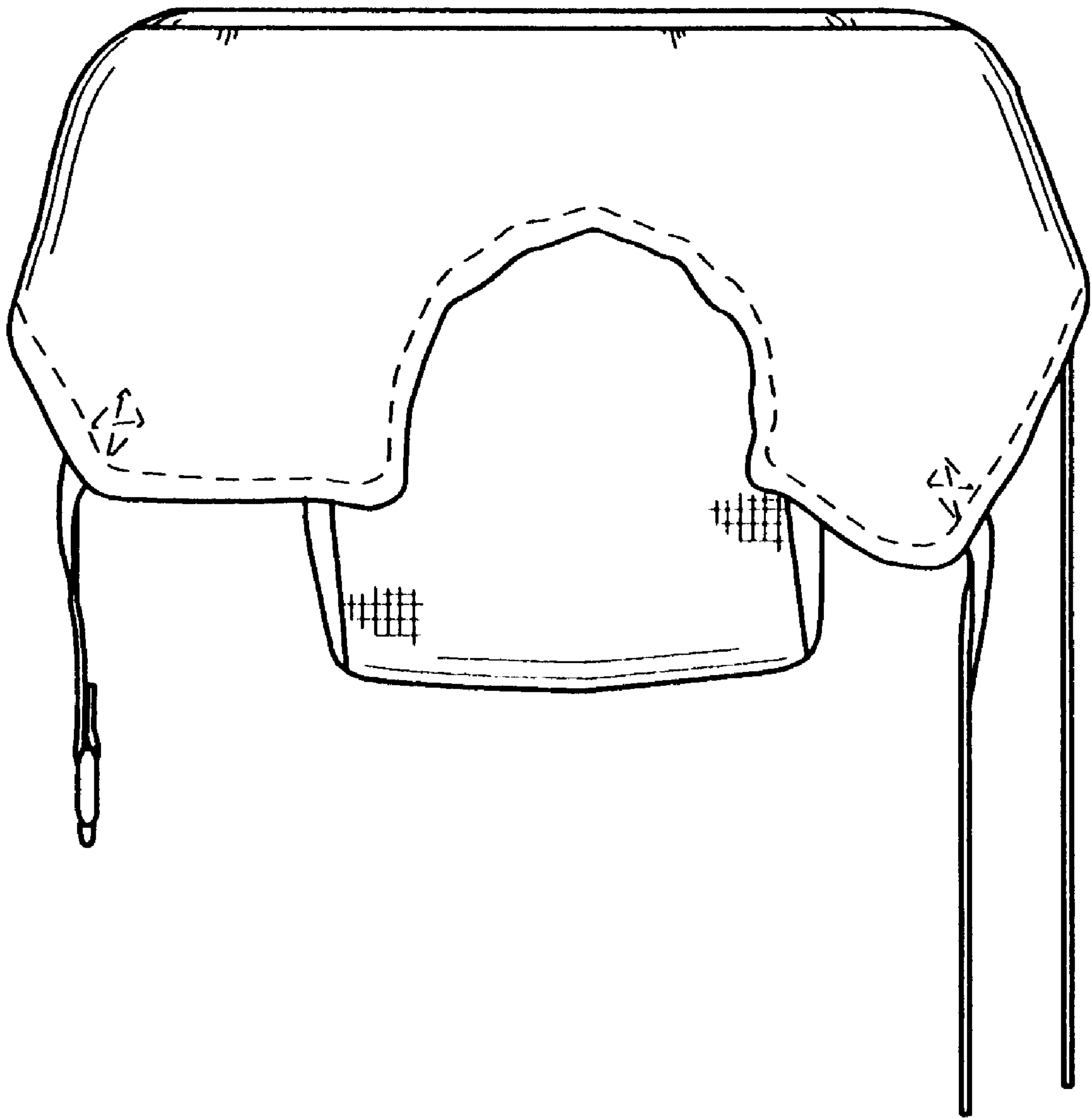


Fig. 6