



US00D470813S

(12) **United States Design Patent**
Nanez

(10) **Patent No.:** **US D470,813 S**

(45) **Date of Patent:** **** Feb. 25, 2003**

(54) **NON-ROTATING CENTERPIECE FOR WHEEL**

D439,213 S * 3/2001 Huang D12/213

* cited by examiner

(76) **Inventor:** **Antonio M. Nanez**, 6752 Bradford Ct., Chino, CA (US) 91710

Primary Examiner—Stacia Cadmus

(**) **Term:** **14 Years**

(57) **CLAIM**

The ornamental design for a non-rotating centerpiece for wheel, as shown and described.

(21) **Appl. No.:** **29/166,829**

(22) **Filed:** **Sep. 4, 2002**

DESCRIPTION

(51) **LOC (7) Cl.** **12-16**

(52) **U.S. Cl.** **D12/213**

(58) **Field of Search** D12/207, 213, D12/400, 204; 301/37.43, 37.374, 37.101, 105.1, 108.1–108.4; D8/397; D9/435

FIG. 1 is a front elevational view of a non-rotating centerpiece for wheel showing my new design; FIG. 2 is a rear elevational view thereof; FIG. 3 is a side view, taken from the left side of FIG. 1, the right side view being a mirror image thereof; and, FIG. 4 is a top plan view thereof; the bottom plan view being a mirror image thereof.

(56) **References Cited**

U.S. PATENT DOCUMENTS

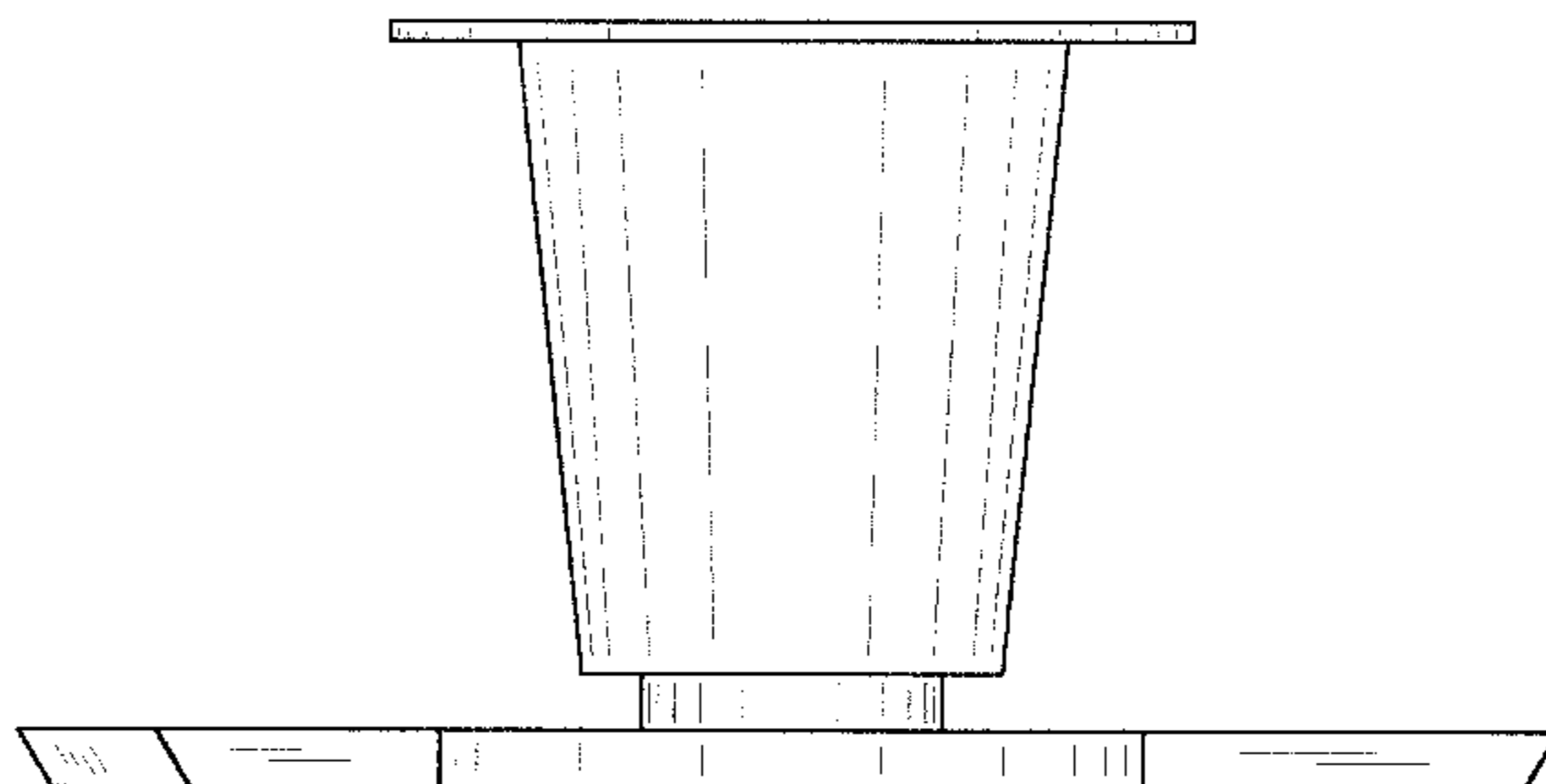
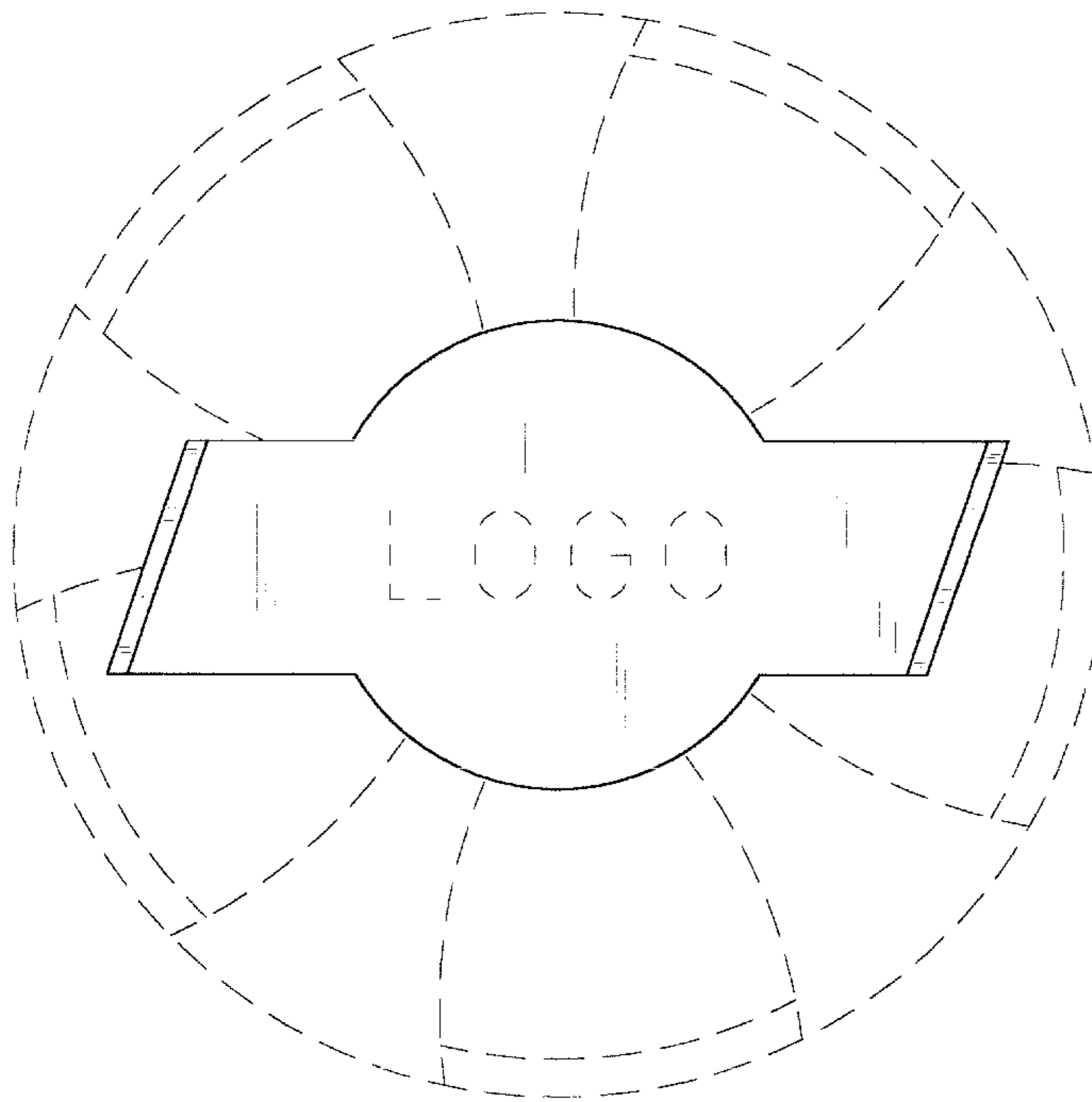
3,005,906 A * 10/1961 Butler, Jr. D12/213 X

D303,103 S * 8/1989 Brouch et al. D12/207

D424,502 S * 5/2000 Noriega D12/213

The broken lines showing lettering and a wheel cover in FIG. 1 is for illustrative purposes only and forms no part of the claimed design.

1 Claim, 3 Drawing Sheets



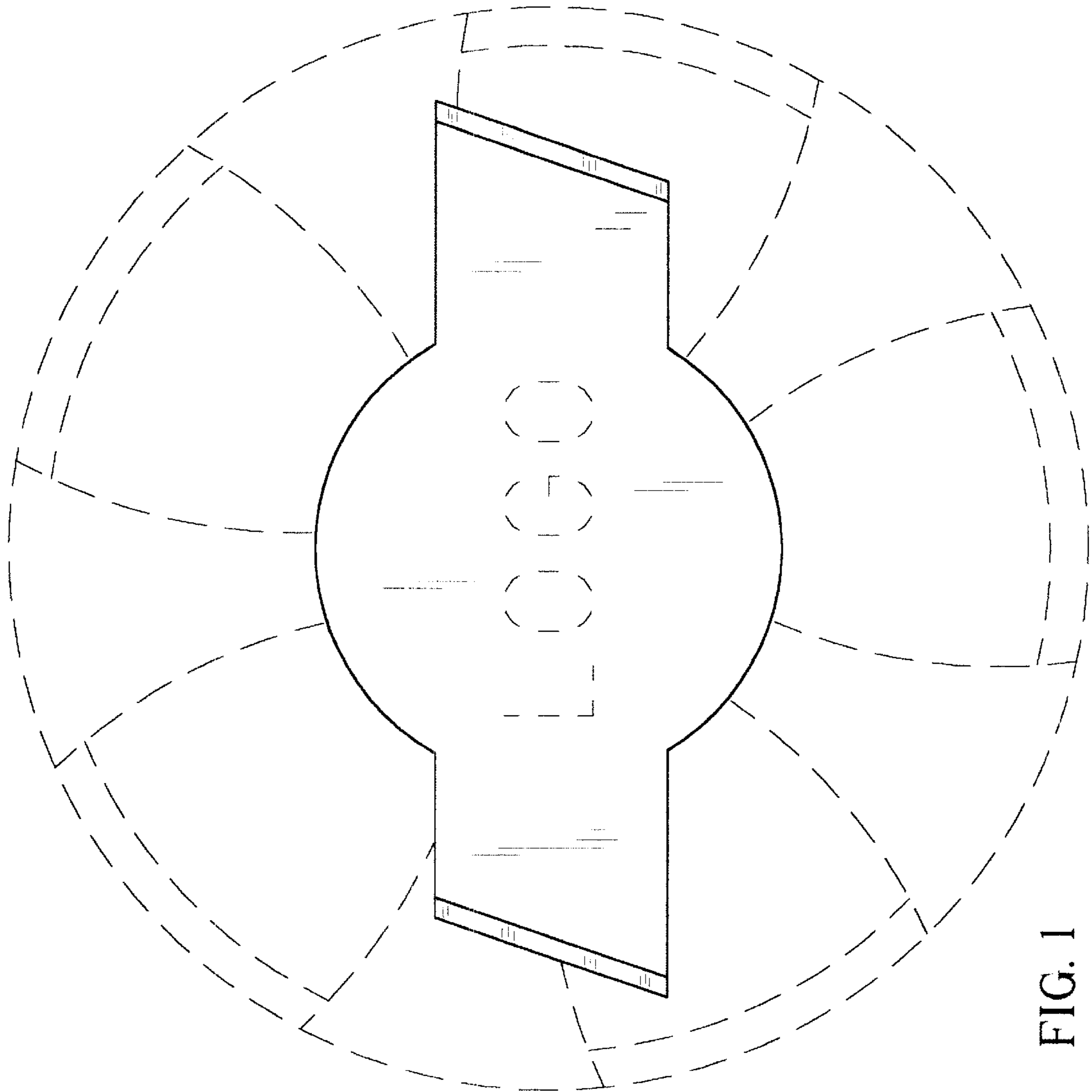


FIG. 1

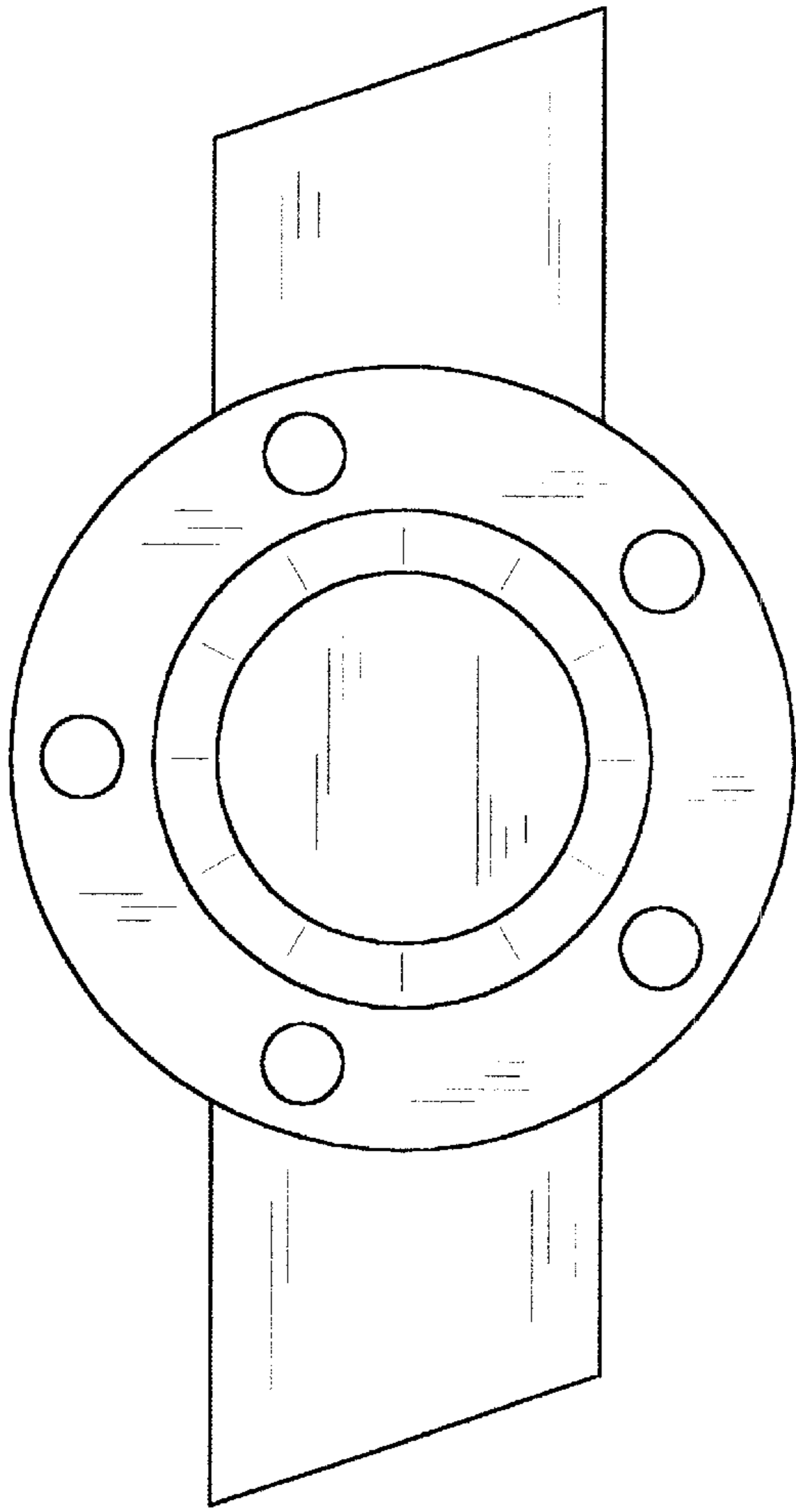


FIG. 2

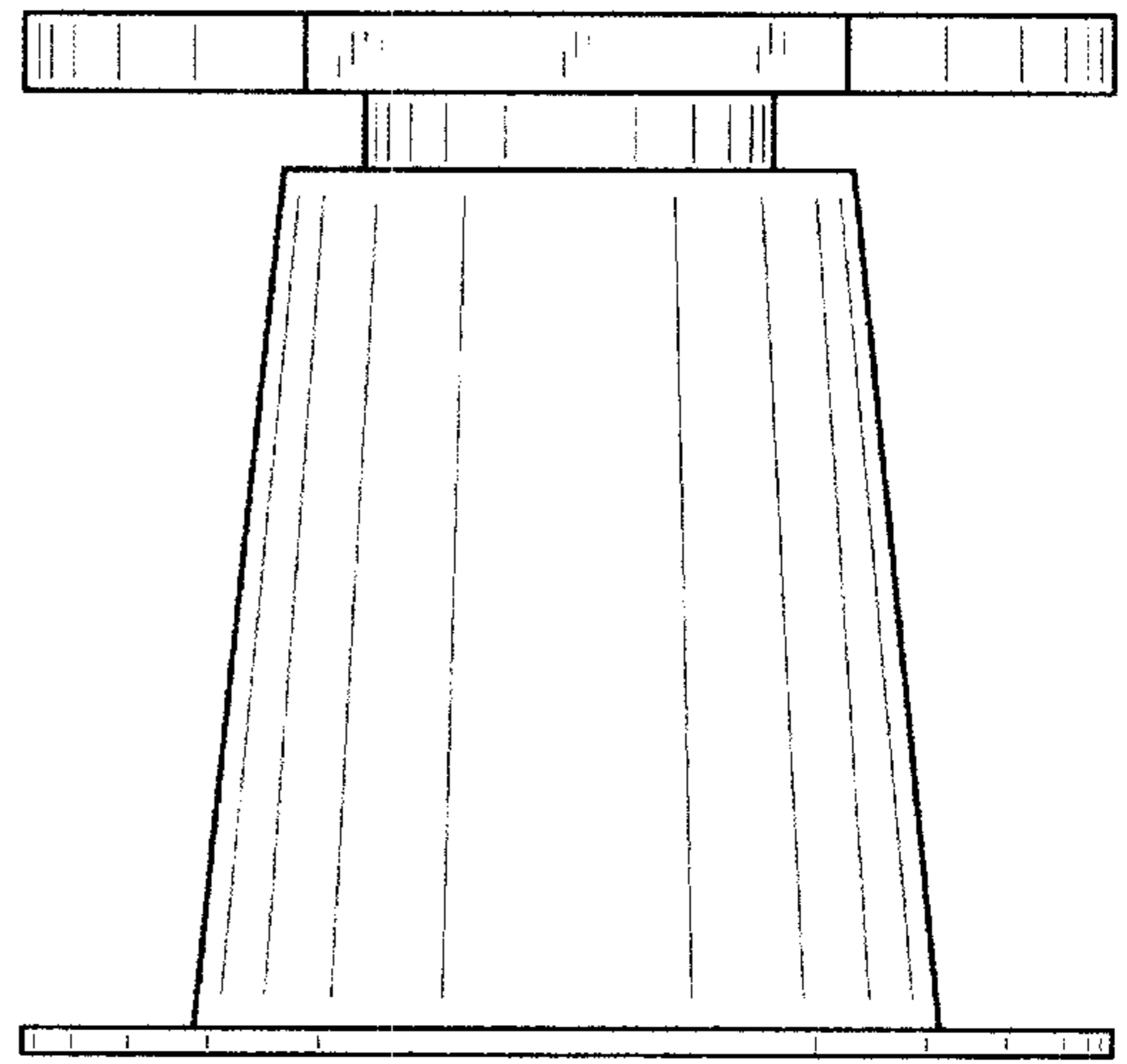


FIG. 3

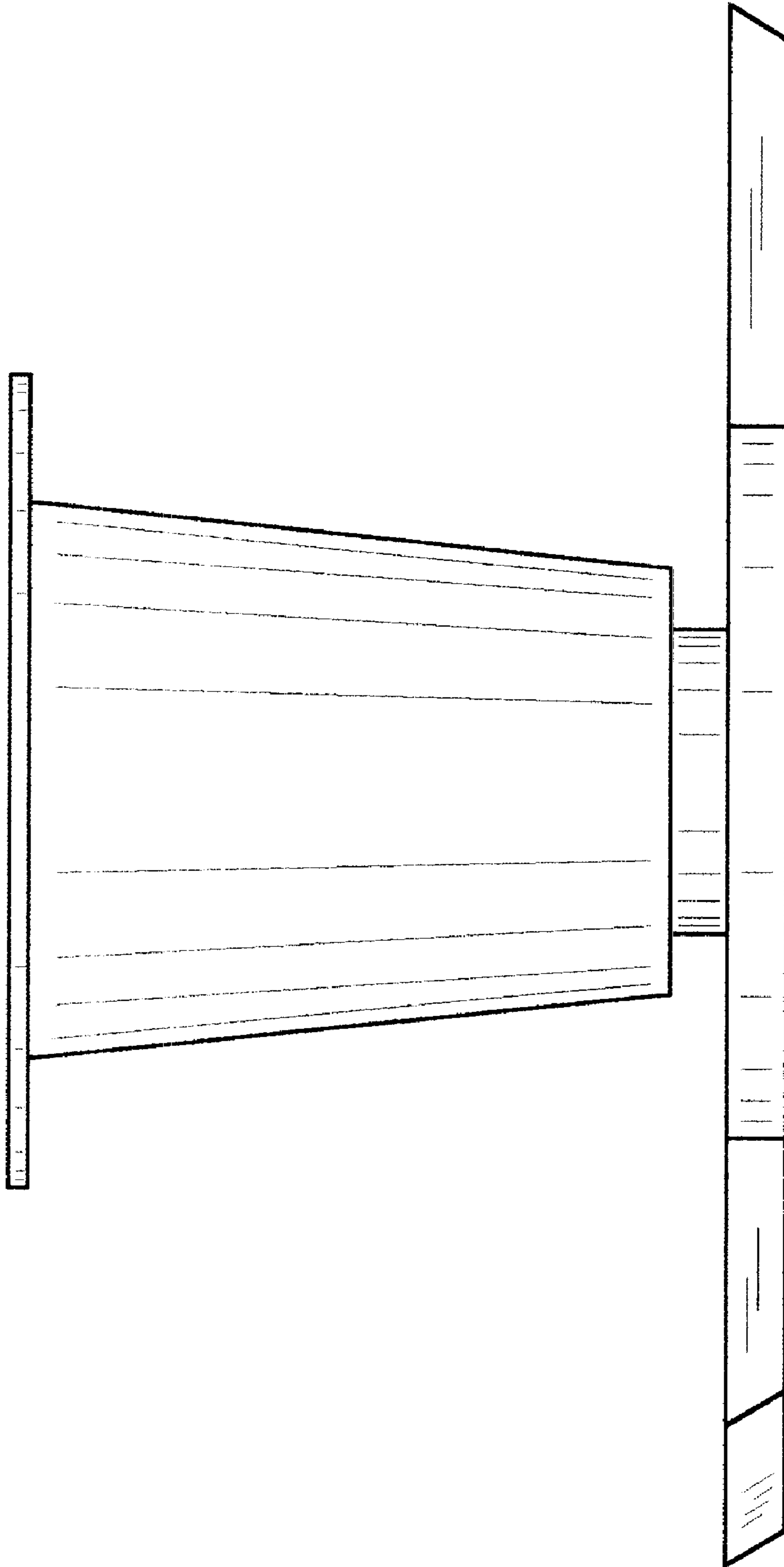


FIG. 4