



US00D470812S

(12) **United States Design Patent**
Chu

(10) **Patent No.:** **US D470,812 S**

(45) **Date of Patent:** **** Feb. 25, 2003**

(54) **WHEEL**

(75) **Inventor:** **Hazel Chu**, Paramount, CA (US)

(73) **Assignee:** **Mizati Luxury Alloy Wheels, Inc.**,
Paramount, CA (US)

(**) **Term:** **14 Years**

(21) **Appl. No.:** **29/166,639**

(22) **Filed:** **Aug. 31, 2002**

(51) **LOC (7) Cl.** **12-16**

(52) **U.S. Cl.** **D12/211**

(58) **Field of Search** D12/204-211;
301/37.101, 64.101, 65

D445,084 S	7/2001	Mendez	
D448,336 S	9/2001	Mendez	
D450,026 S	* 11/2001	Donikoglu D12/209
D452,209 S	* 12/2001	Chung D12/209
D454,528 S	* 3/2002	Brown et al. D12/209
D455,696 S	* 4/2002	Foose D12/209
D455,703 S	* 4/2002	Foose D12/211
D456,331 S	* 4/2002	Chung D12/209
D461,156 S	8/2002	Noriega	

* cited by examiner

Primary Examiner—Stacia Cadmus

(74) *Attorney, Agent, or Firm*—Lawrence N. Ginsberg

(57) **CLAIM**

The ornamental design for a wheel, as shown and described.

DESCRIPTION

FIG. 1 is a front perspective view of a wheel, showing my new design;

FIG. 2 is a front view thereof; and,

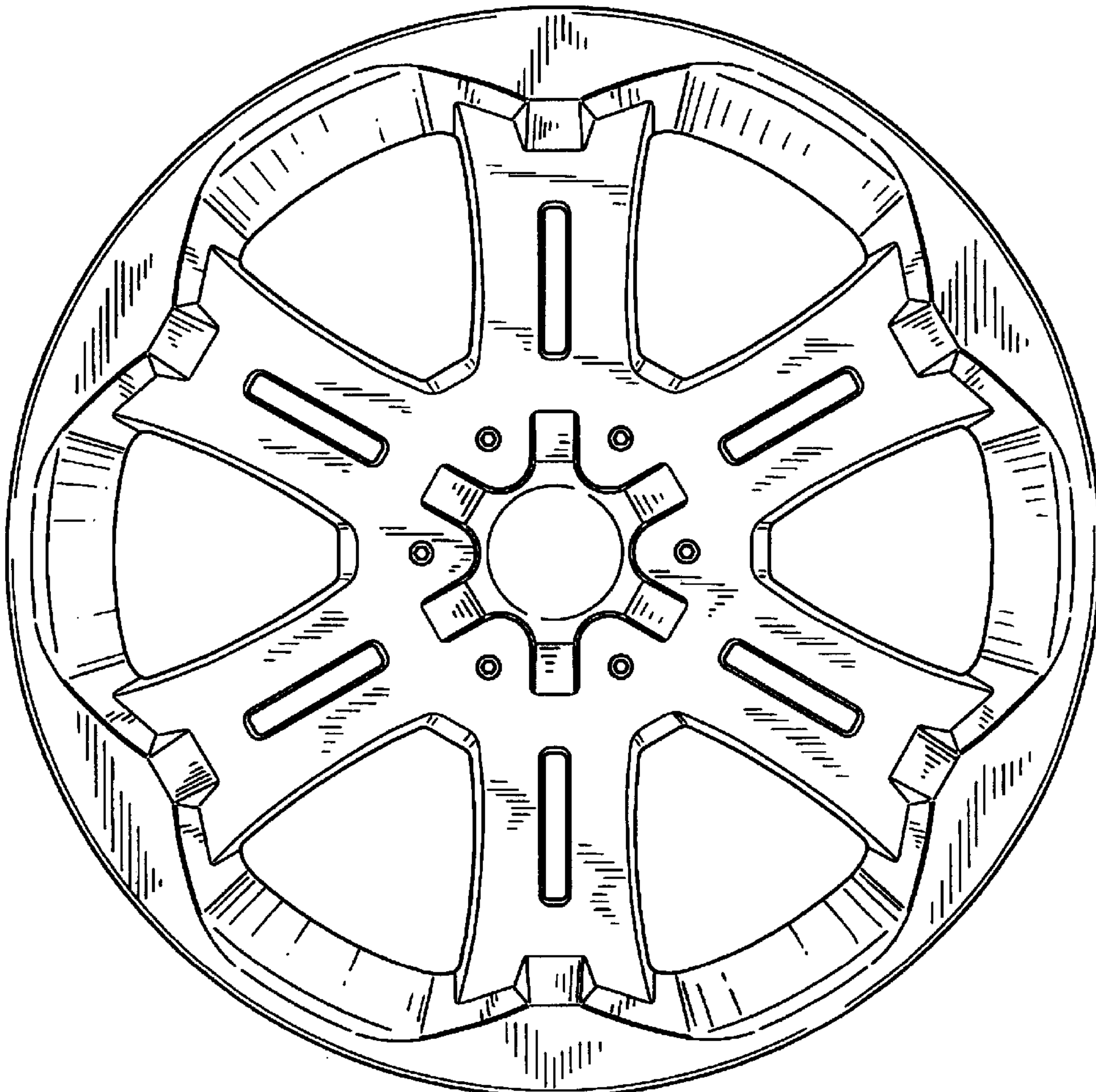
FIG. 3 is a side view thereof.

(56) **References Cited**

U.S. PATENT DOCUMENTS

D208,542 S	* 9/1967	Halibrand D12/211
D411,160 S	* 6/1999	Hall D12/211
D432,972 S	* 10/2000	Chung D12/209
D444,758 S	7/2001	Mendez	
D445,082 S	* 7/2001	Chung D12/211

1 Claim, 2 Drawing Sheets



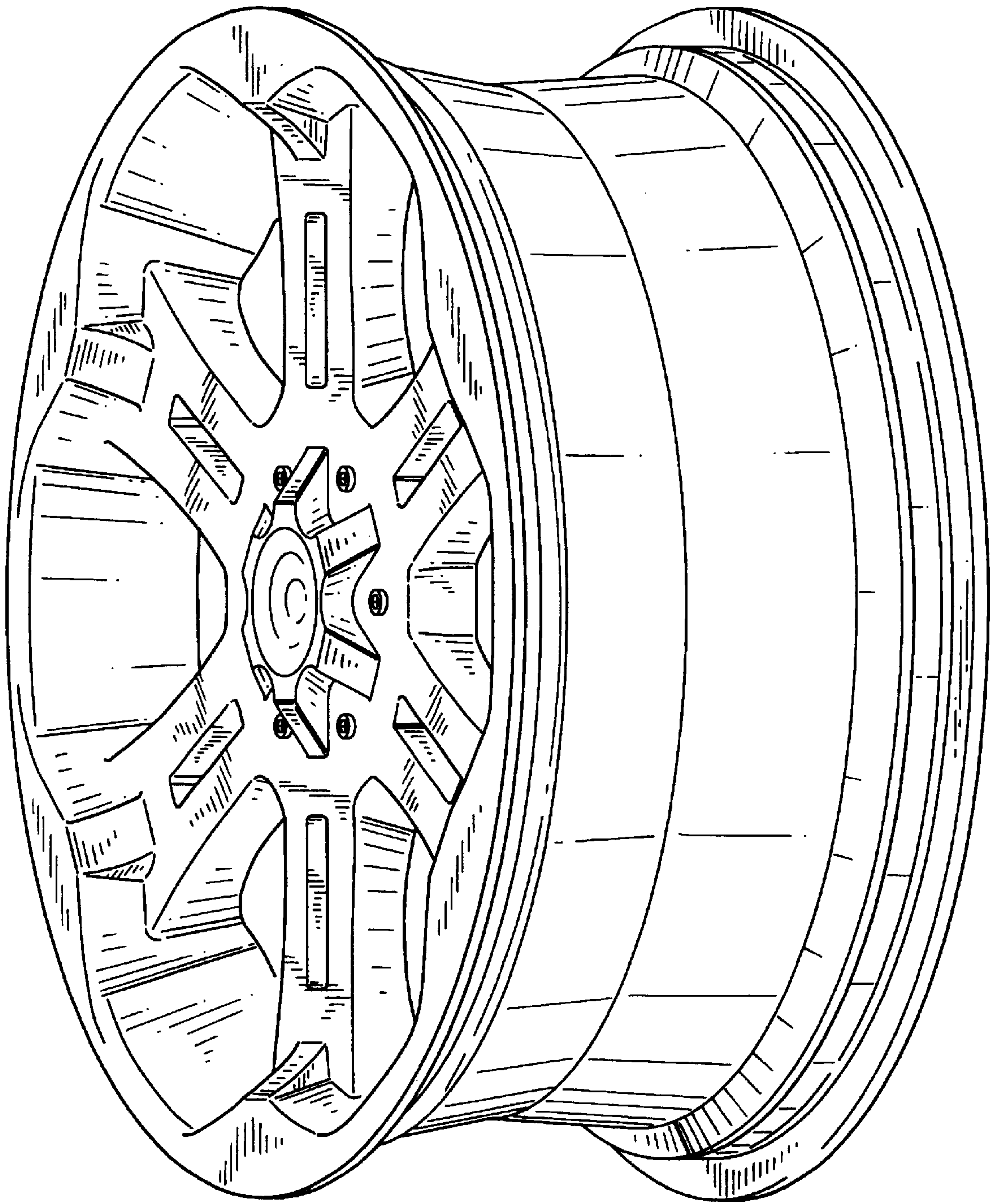


FIG. 1

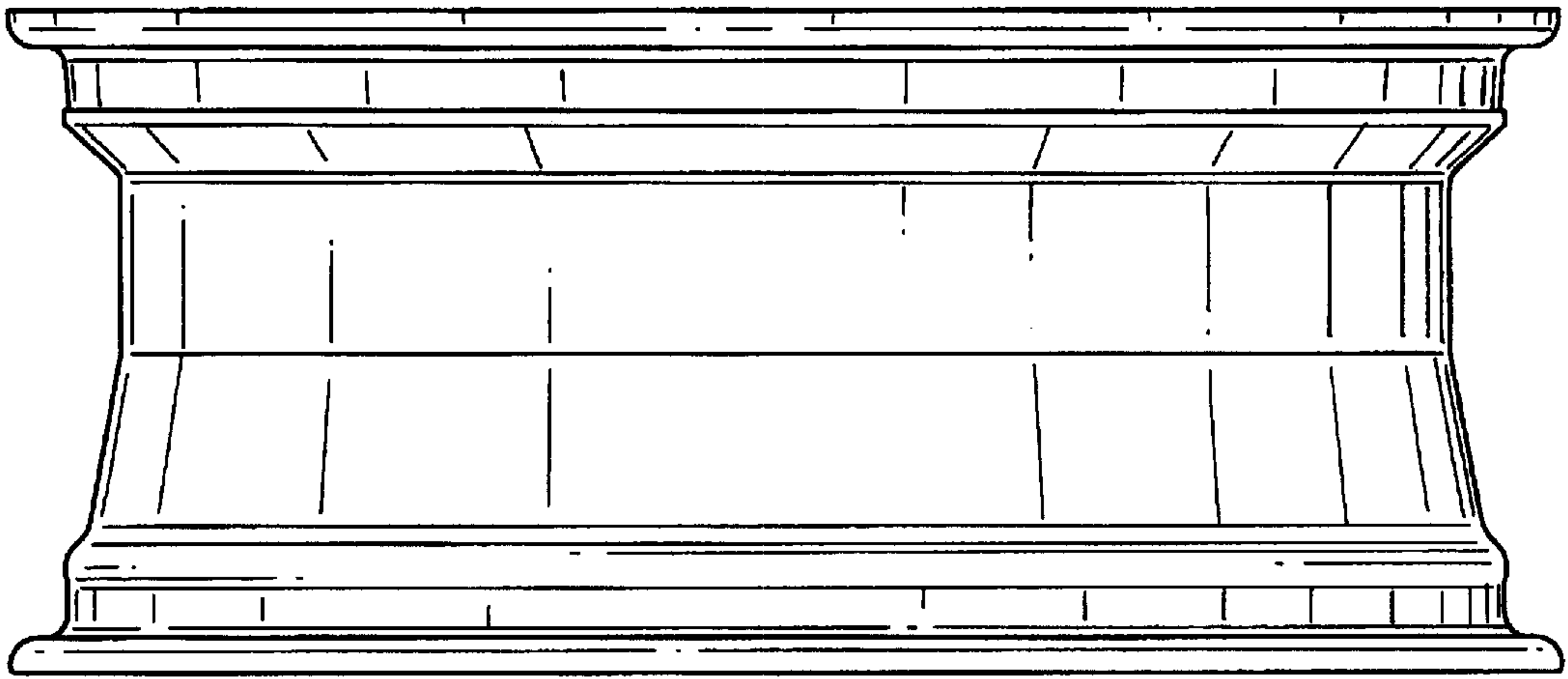


FIG. 3

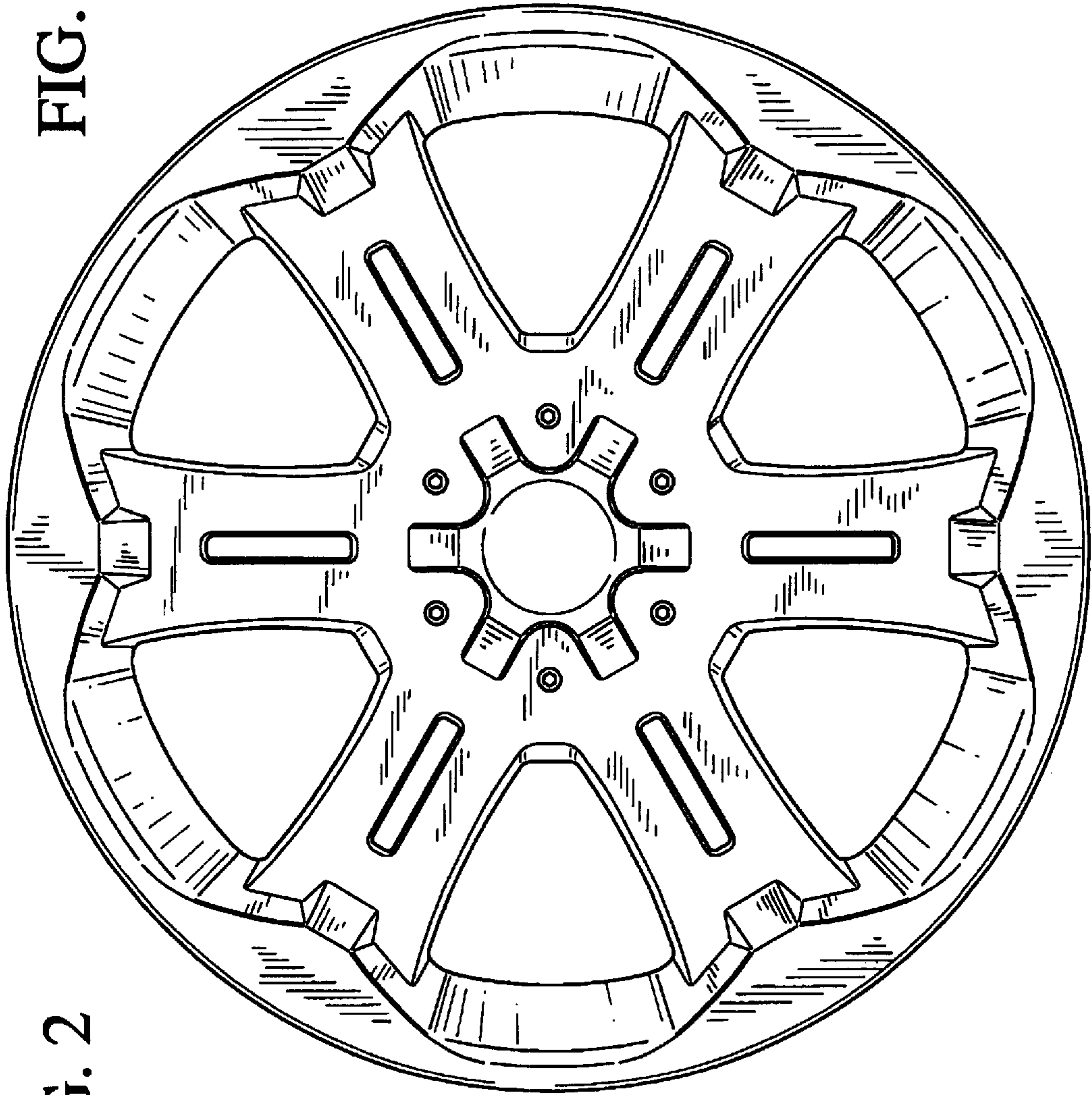


FIG. 2