



US00D470810S

(12) **United States Design Patent**  
**Ohm**

(10) **Patent No.:** **US D470,810 S**

(45) **Date of Patent:** **\*\* Feb. 25, 2003**

- (54) **LICENSE PLATE FRAME**
- (75) Inventor: **Patrick L. Ohm, Mesa, AZ (US)**
- (73) Assignee: **Bell Automotive Products, Inc.,  
Scottsdale, AZ (US)**
- (\*\*) Term: **14 Years**
- (21) Appl. No.: **29/160,701**
- (22) Filed: **May 15, 2002**
- (51) **LOC (7) Cl.** ..... **12-16**
- (52) **U.S. Cl.** ..... **D12/193**
- (58) **Field of Search** ..... **D12/193; D6/300-303,  
D6/310-314; 40/200-203, 207-216**

D368,693 S	4/1996	Spencer	.....	D12/193
D384,627 S	* 10/1997	Clark et al.	.....	D12/193
D385,244 S	10/1997	Spencer	.....	D12/193
D411,155 S	* 6/1999	Hartmann et al.	.....	D12/193
D416,527 S	* 11/1999	Steinhagen	.....	D12/193
D437,816 S	* 2/2001	Hussaini et al.	.....	D12/193
D441,334 S	5/2001	Hussaini et al.	.....	D12/193
D441,335 S	5/2001	Hussaini et al.	.....	D12/193
D442,130 S	5/2001	Hussaini et al.	.....	D12/193

\* cited by examiner

*Primary Examiner*—Stacia Cadmus

(74) *Attorney, Agent, or Firm*—Greenberg Traurig PC

(57) **CLAIM**

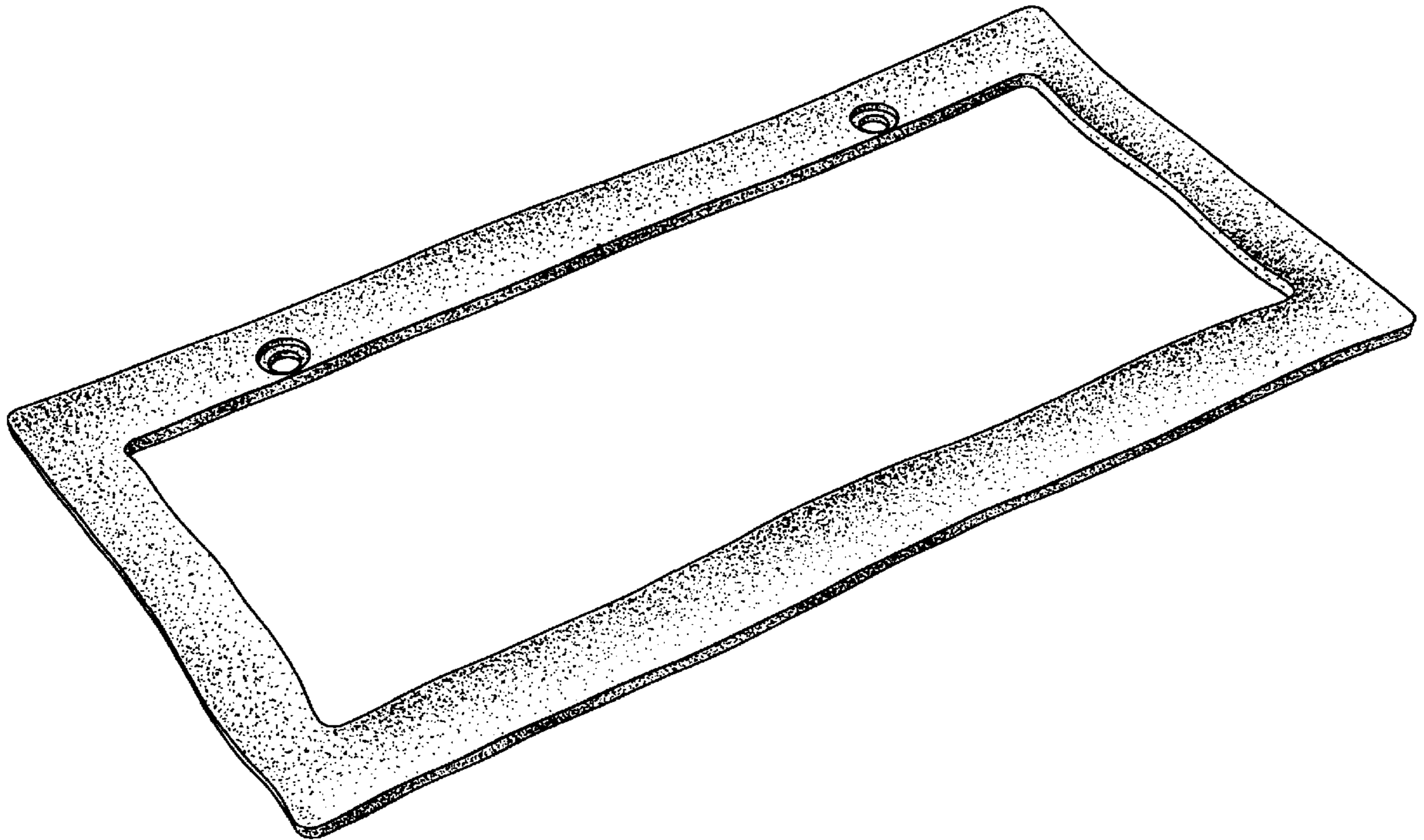
The ornamental design for a license plate frame, as shown.

**DESCRIPTION**

FIG. 1 is a perspective view of the new license plate frame ornamental design;  
 FIG. 2 is a front plan view;  
 FIG. 3 is a bottom elevational view;  
 FIG. 4 is a right side elevational view;  
 FIG. 5 is a top elevational view;  
 FIG. 6 is a left side elevational view; and,  
 FIG. 7 is a rear plan view.

**1 Claim, 3 Drawing Sheets**

- (56) **References Cited**
- U.S. PATENT DOCUMENTS
- |             |           |         |       |         |
|-------------|-----------|---------|-------|---------|
| 2,765,553 A | 10/1956   | Audette | ..... | 40/125  |
| D233,326 S  | * 10/1974 | Barber  | ..... | D12/193 |
| D327,047 S  | * 6/1992  | Corey   | ..... | D12/193 |
| D331,217 S  | 11/1992   | Spencer | ..... | D12/193 |
| D332,247 S  | * 1/1993  | Wilson  | ..... | D12/193 |
| D335,117 S  | 4/1993    | Spencer | ..... | D12/193 |
| D348,643 S  | * 7/1994  | Nagata  | ..... | D12/193 |
| D348,865 S  | * 7/1994  | Nagata  | ..... | D12/193 |
| D366,441 S  | * 1/1996  | Wu      | ..... | D12/193 |



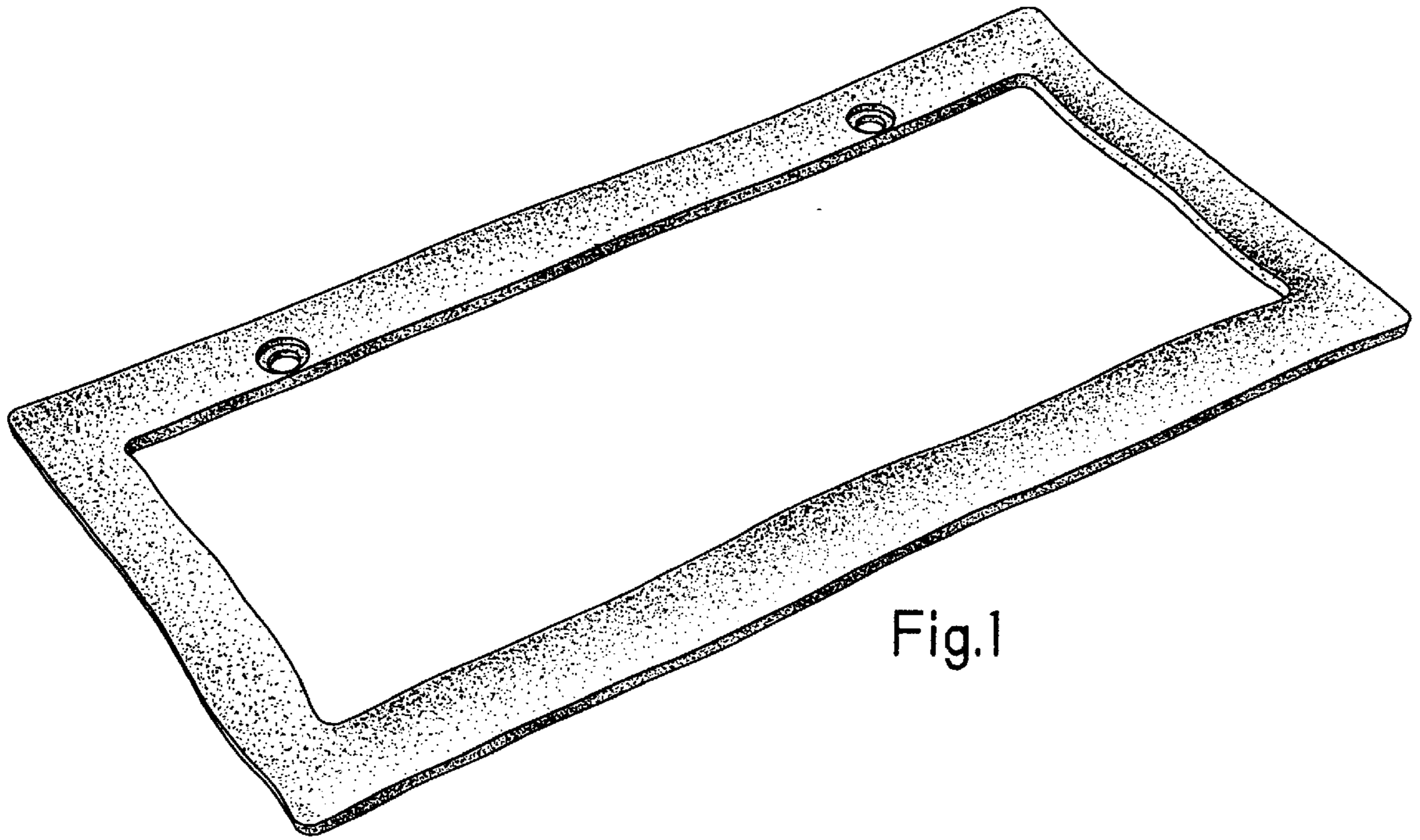


Fig.1

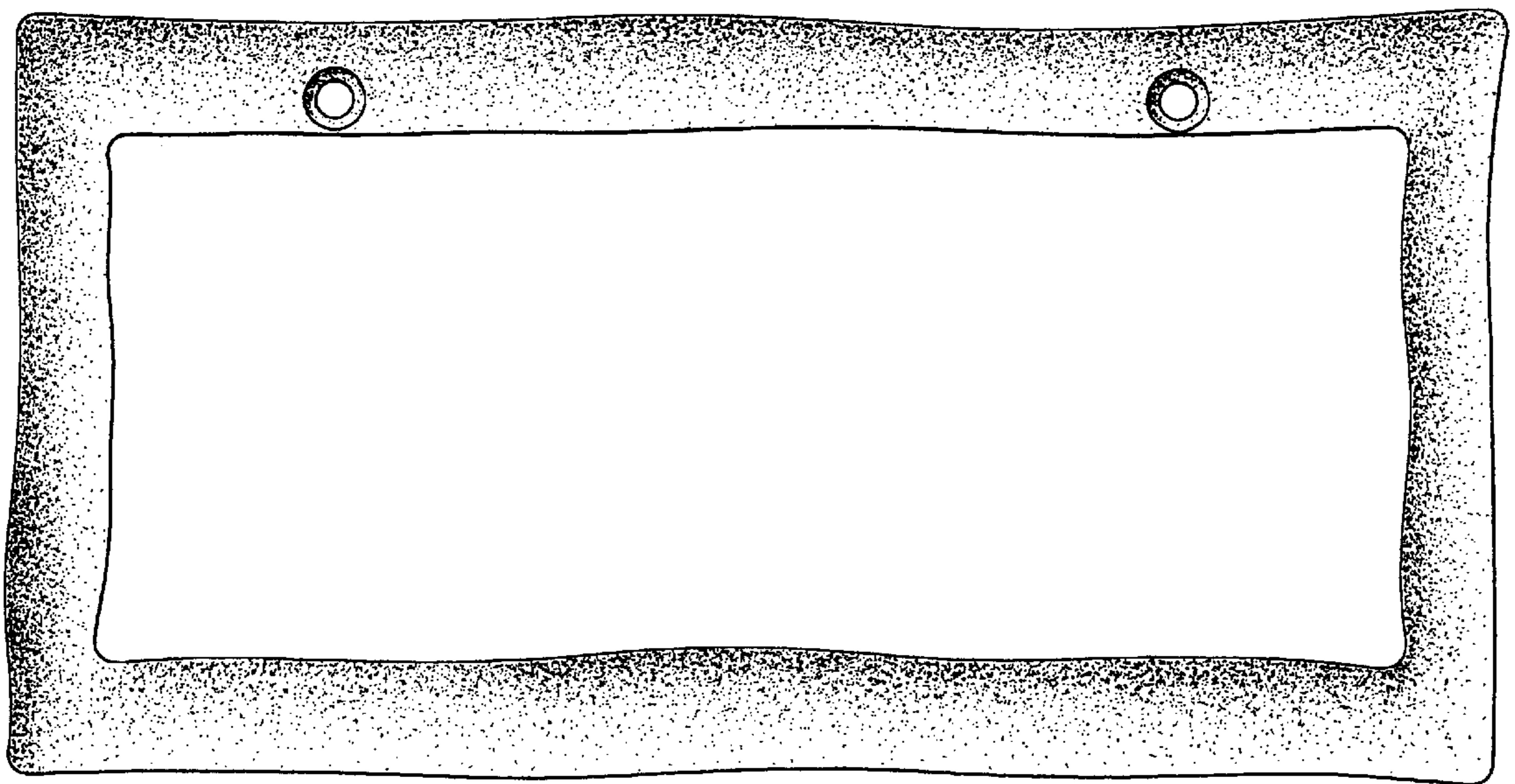


Fig.2



Fig.3



Fig.4

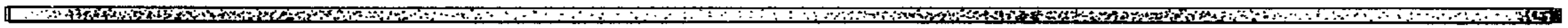


Fig.5

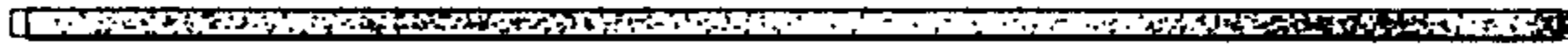


Fig.6

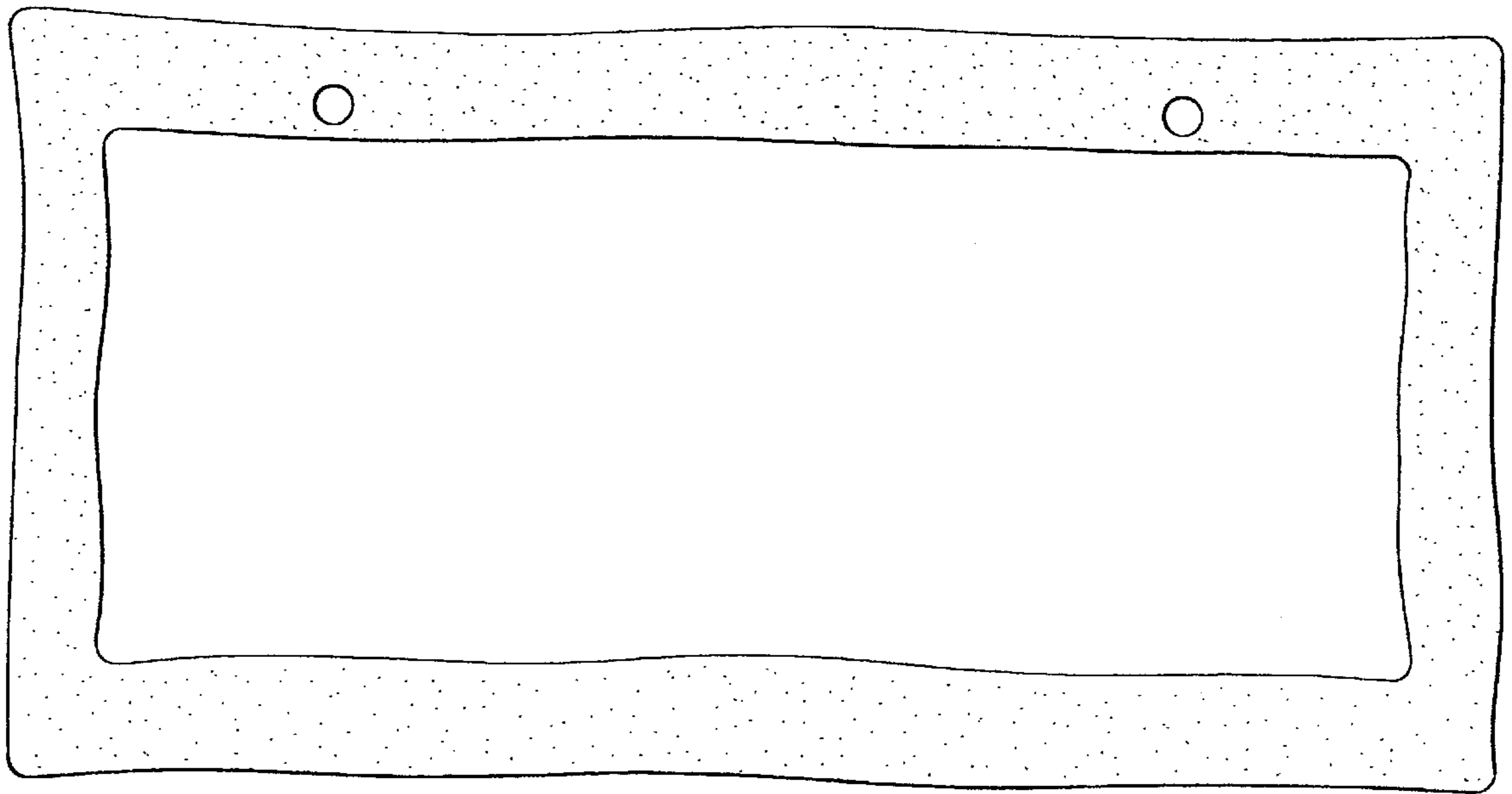


Fig.7