



US00D470809S

(12) **United States Design Patent**
Asahi et al.

(10) **Patent No.:** **US D470,809 S**

(45) **Date of Patent:** **** Feb. 25, 2003**

(54) **INSTRUMENT PANEL FOR AN AUTOMOBILE**

D439,211 S * 3/2001 Pfeiffer D12/192
D440,193 S * 4/2001 Pfeiffer D12/192
D449,263 S * 10/2001 Yamazaki et al. D12/192
D455,691 S * 4/2002 Okonkwo D12/192

(75) Inventors: **Yoshinori Asahi, Wako (JP); Kotaro Mori, Wako (JP); Chiyuki Ishigame, Wako (JP)**

* cited by examiner

(73) Assignee: **Honda Giken Koeyo Kabushiki Kaisha, Tokyo (JP)**

Primary Examiner—Stacia Cadmus

(74) *Attorney, Agent, or Firm*—Sughrue Mion, PLLC

(**) Term: **14 Years**

(57) **CLAIM**

(21) Appl. No.: **29/161,975**

The ornamental design for an instrument panel for an automobile, as shown and described.

(22) Filed: **Jun. 10, 2002**

DESCRIPTION

(30) **Foreign Application Priority Data**

Dec. 10, 2001 (JP) 2001-036301

(51) **LOC (7) Cl.** **12-16**

(52) **U.S. Cl.** **D12/192**

(58) **Field of Search** D12/192, 400; 180/90; 280/750-752; 296/70, 190-191

FIG. 1 is a perspective view of the right side of an instrument panel for an automobile showing our new design; FIG. 2 is a perspective view of the left side thereof, FIG. 3 is a front elevational view thereof, FIG. 4 is a rear elevational view thereof, FIG. 5 is a right side elevational view thereof, FIG. 6 is a left side elevational view thereof; FIG. 7 is a top plan view thereof; FIG. 8 is a bottom plan view thereof; FIG. 9 is a cross-sectional view thereof taken along line 9-9 in FIG. 3; FIG. 10 is a cross-sectional view thereof taken along line 10-10 in FIG. 3; FIG. 11 is a cross-sectional view thereof taken along line 11-11 in FIG. 3; and, FIG. 12 is a cross-sectional view thereof taken along line 12-12 in FIG. 3.

(56) **References Cited**

U.S. PATENT DOCUMENTS

D369,999 S * 5/1996 Sacco et al. D12/192
D372,010 S * 7/1996 Pfeiffer et al. D12/192
D378,910 S * 4/1997 Black et al. D12/192
D389,798 S * 1/1998 Ma et al. D12/192
D403,641 S * 1/1999 Sacco et al. D12/192
D405,408 S * 2/1999 Yoshida D12/192
D419,936 S * 2/2000 Sacco et al. D12/192
D423,434 S * 4/2000 Yano et al. D12/192

1 Claim, 12 Drawing Sheets

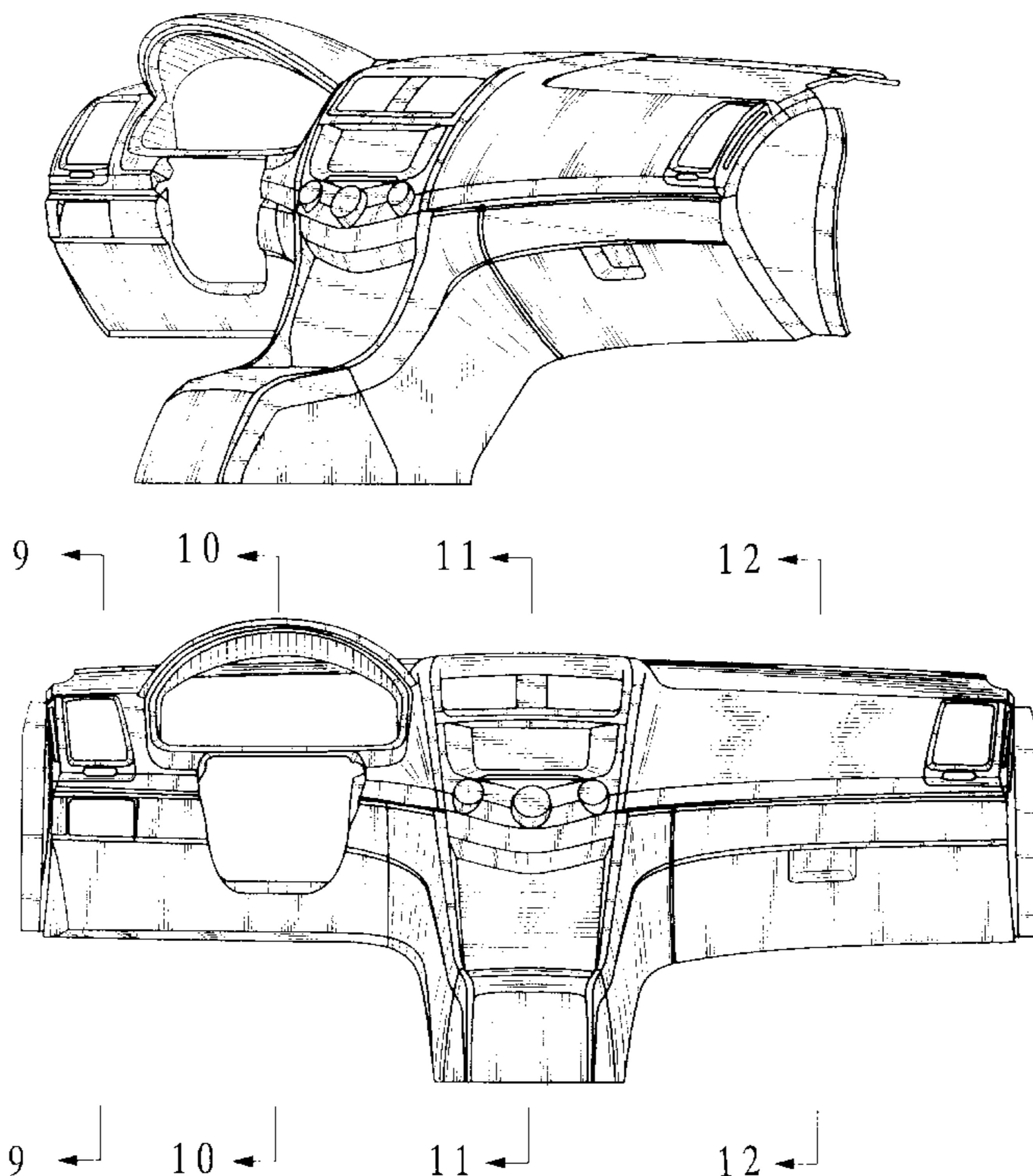


FIG. 1

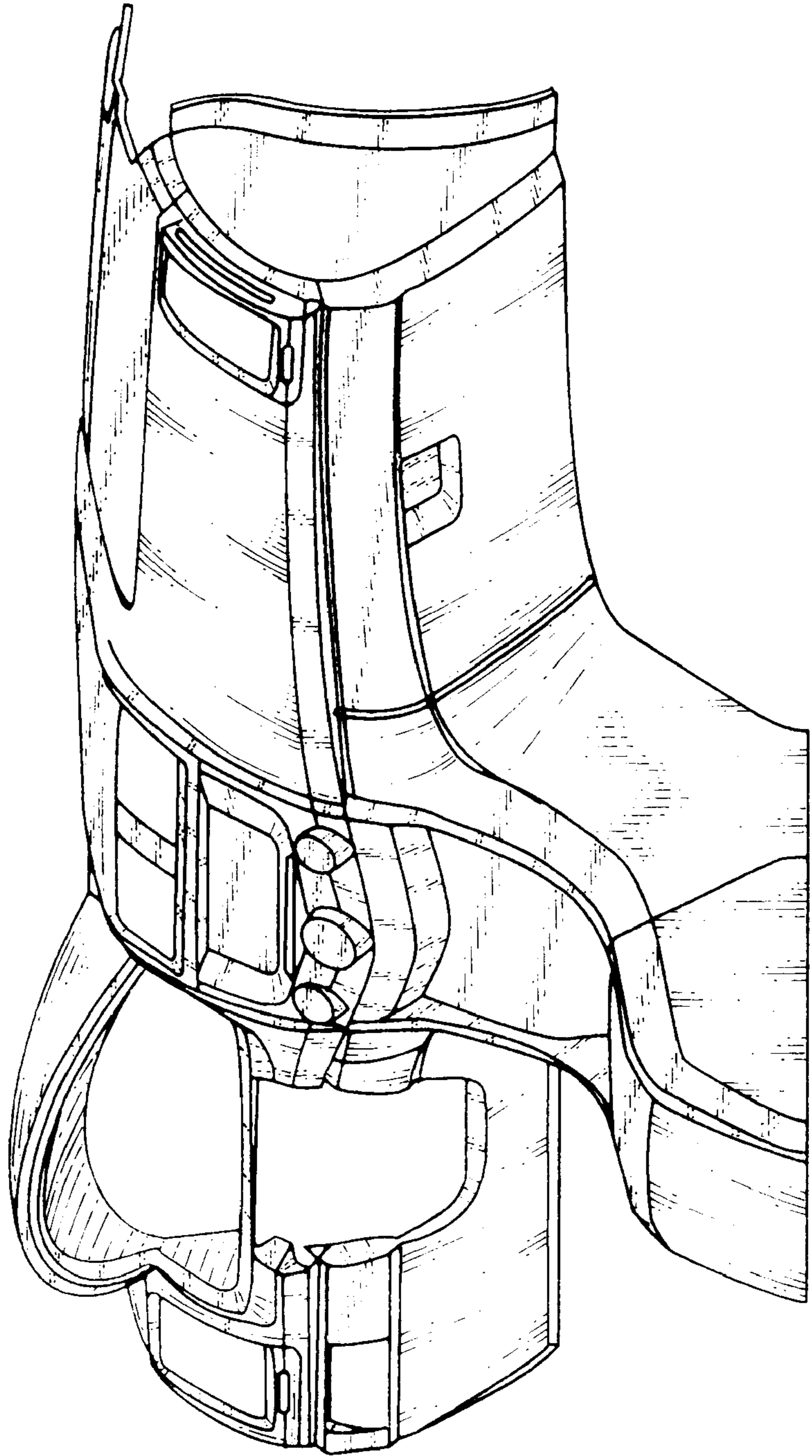


FIG. 2

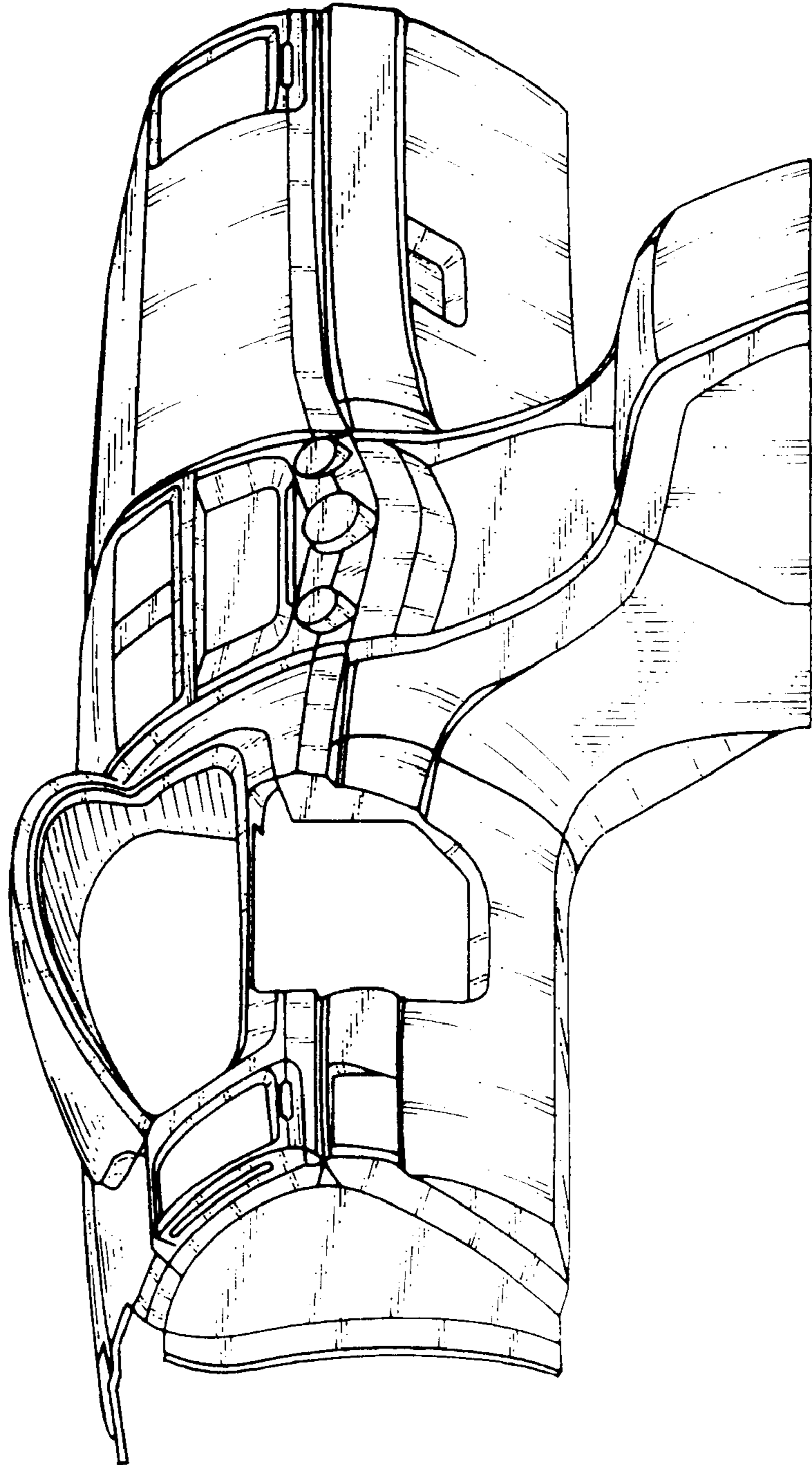


FIG. 3

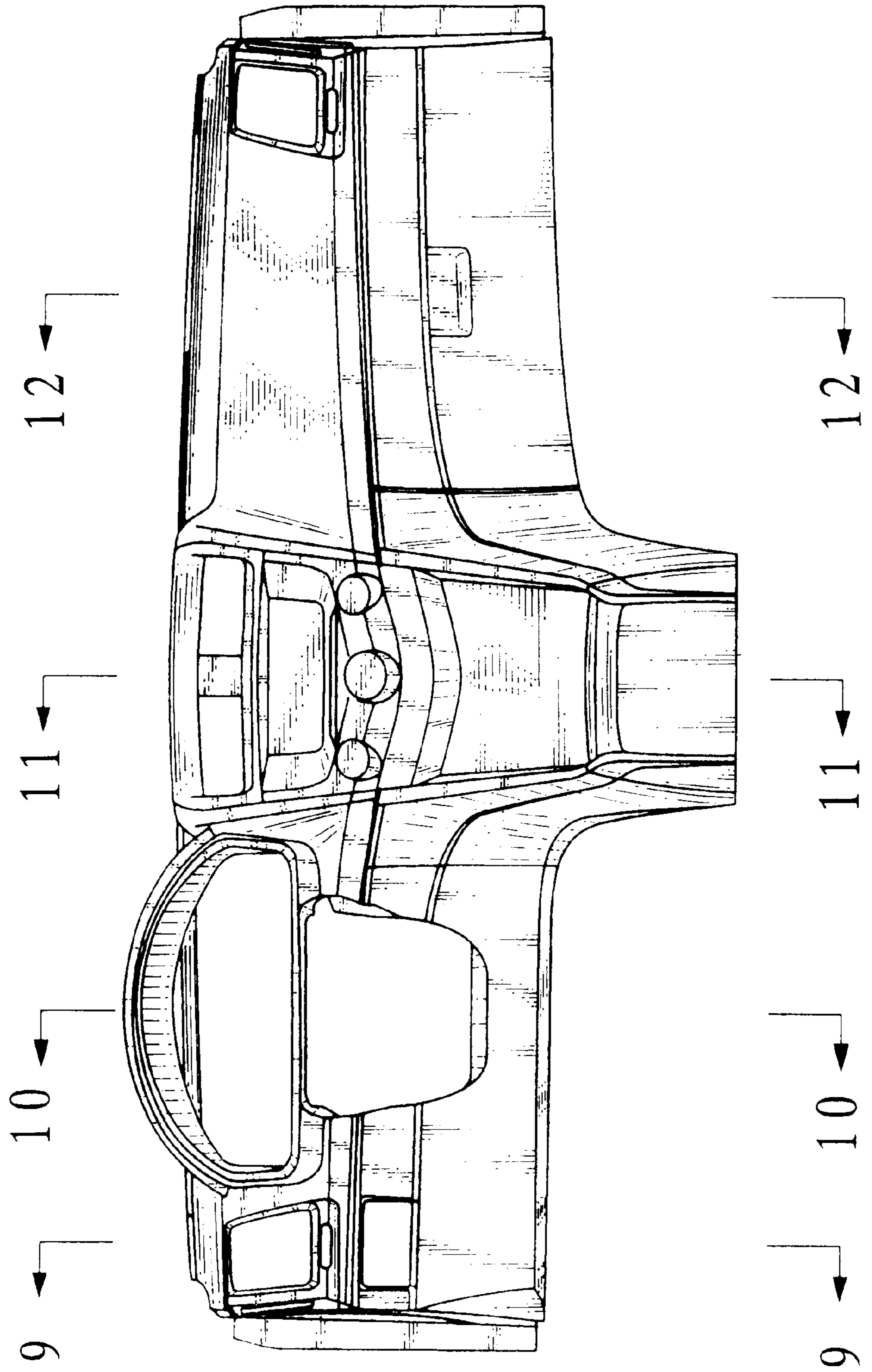


FIG. 4

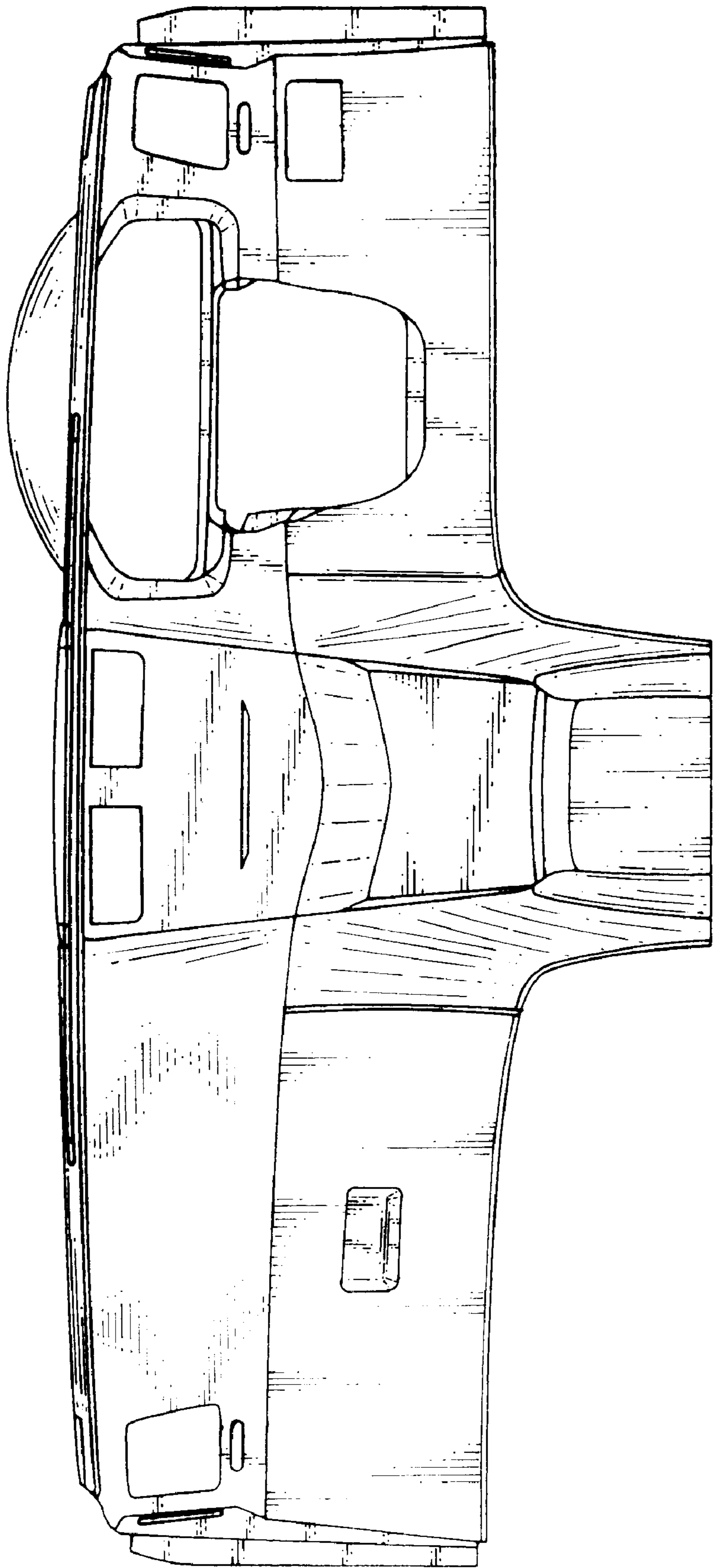


FIG. 5

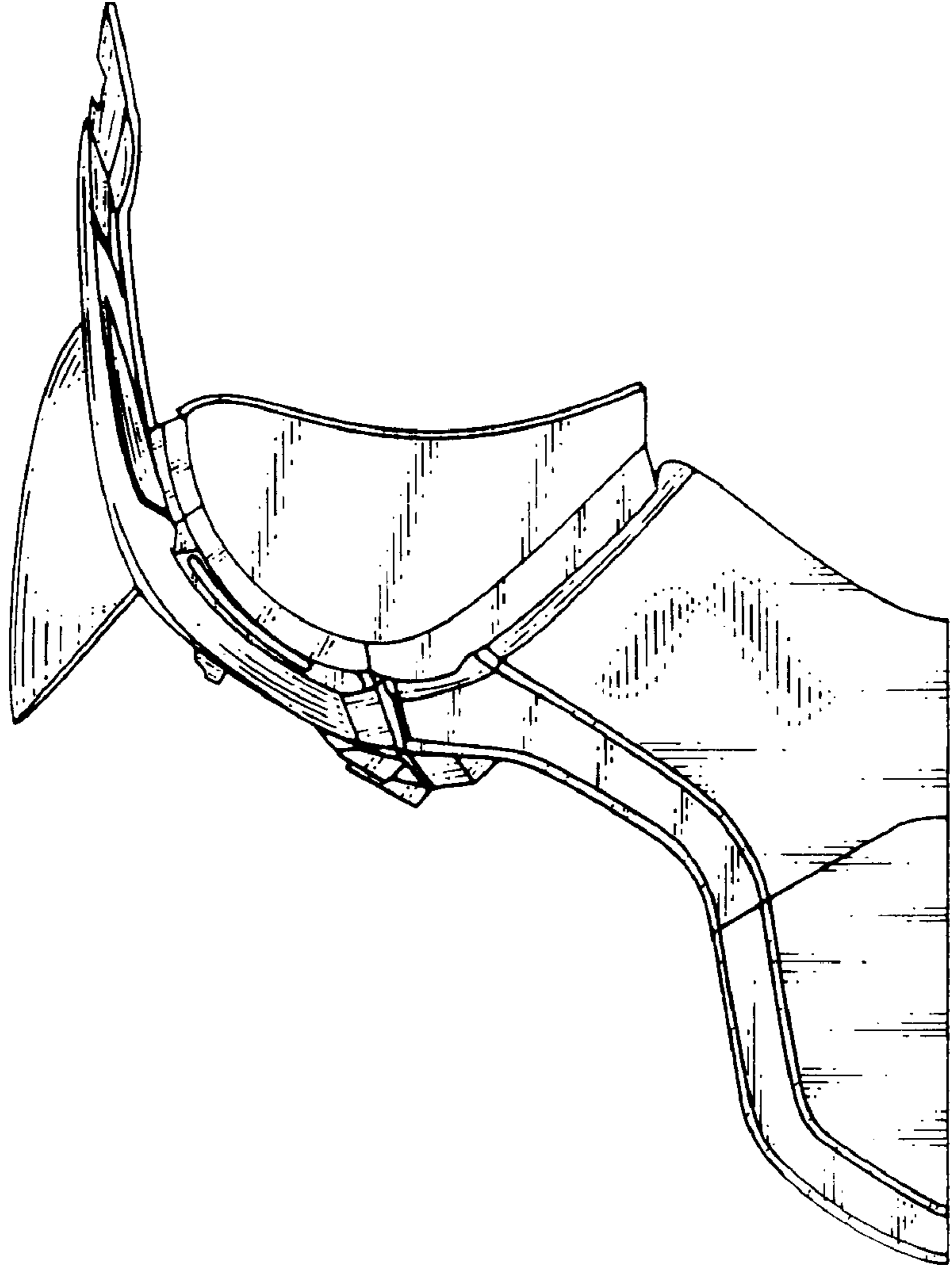


FIG. 6

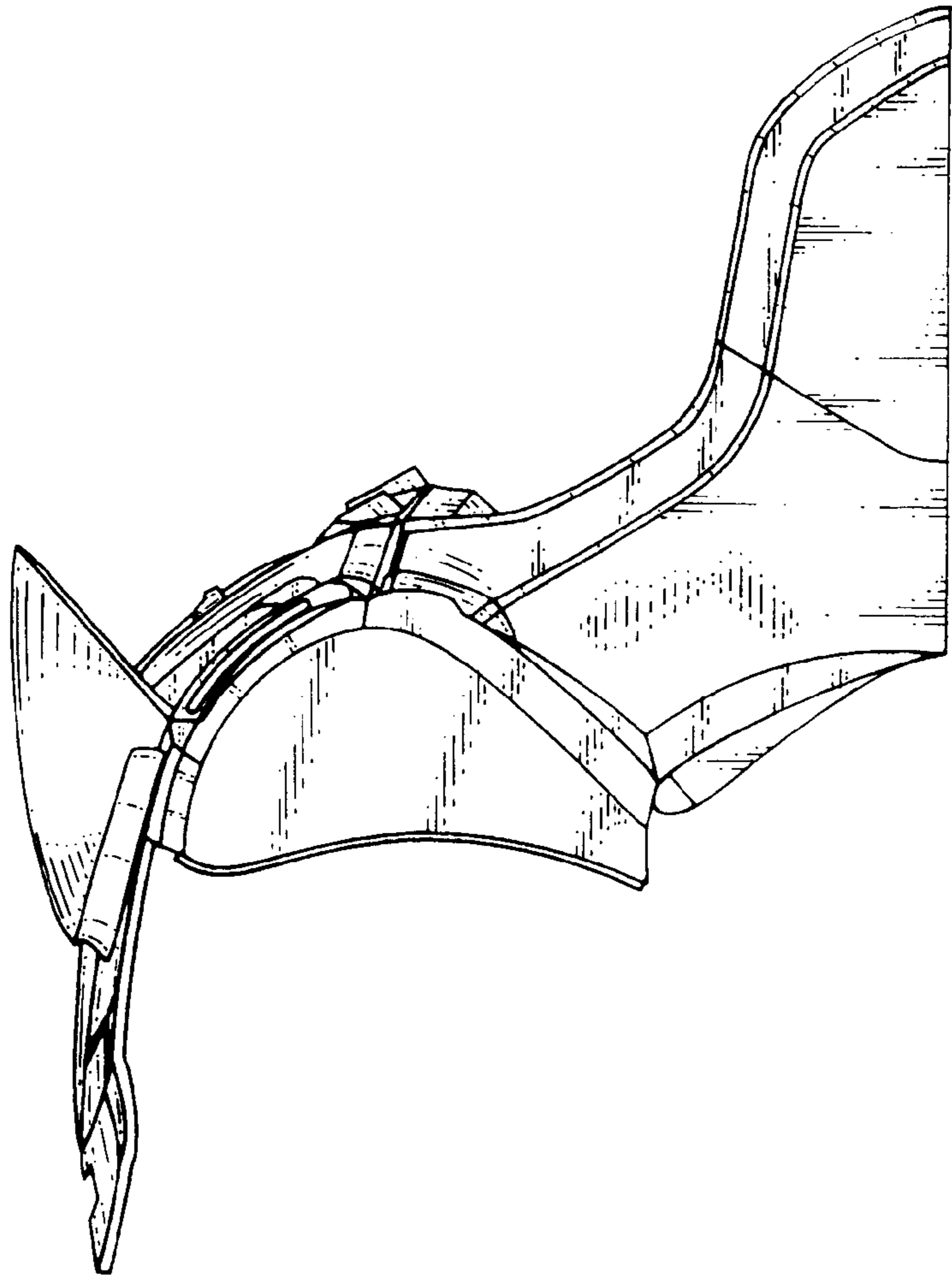


FIG. 7

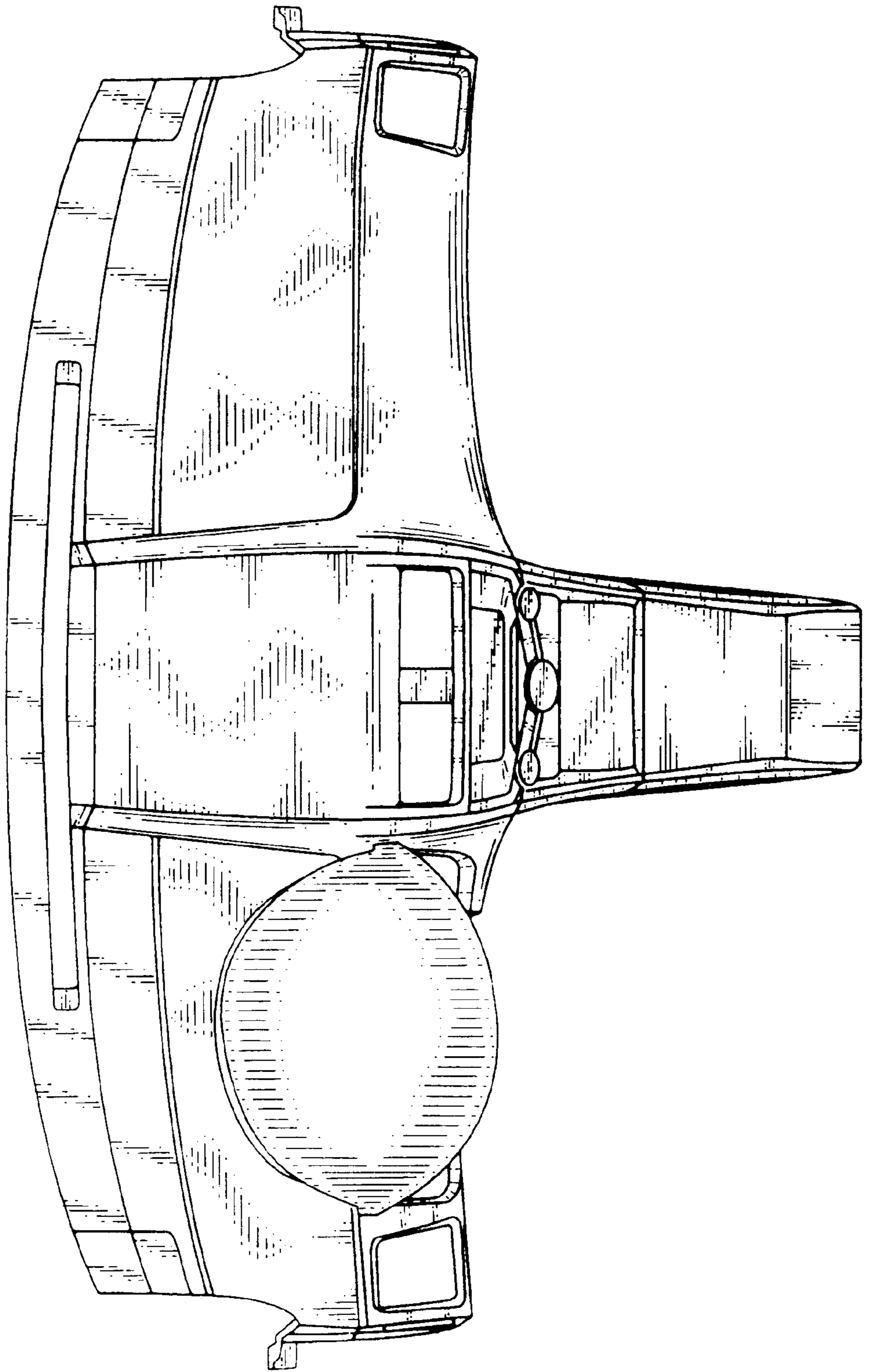


FIG. 8

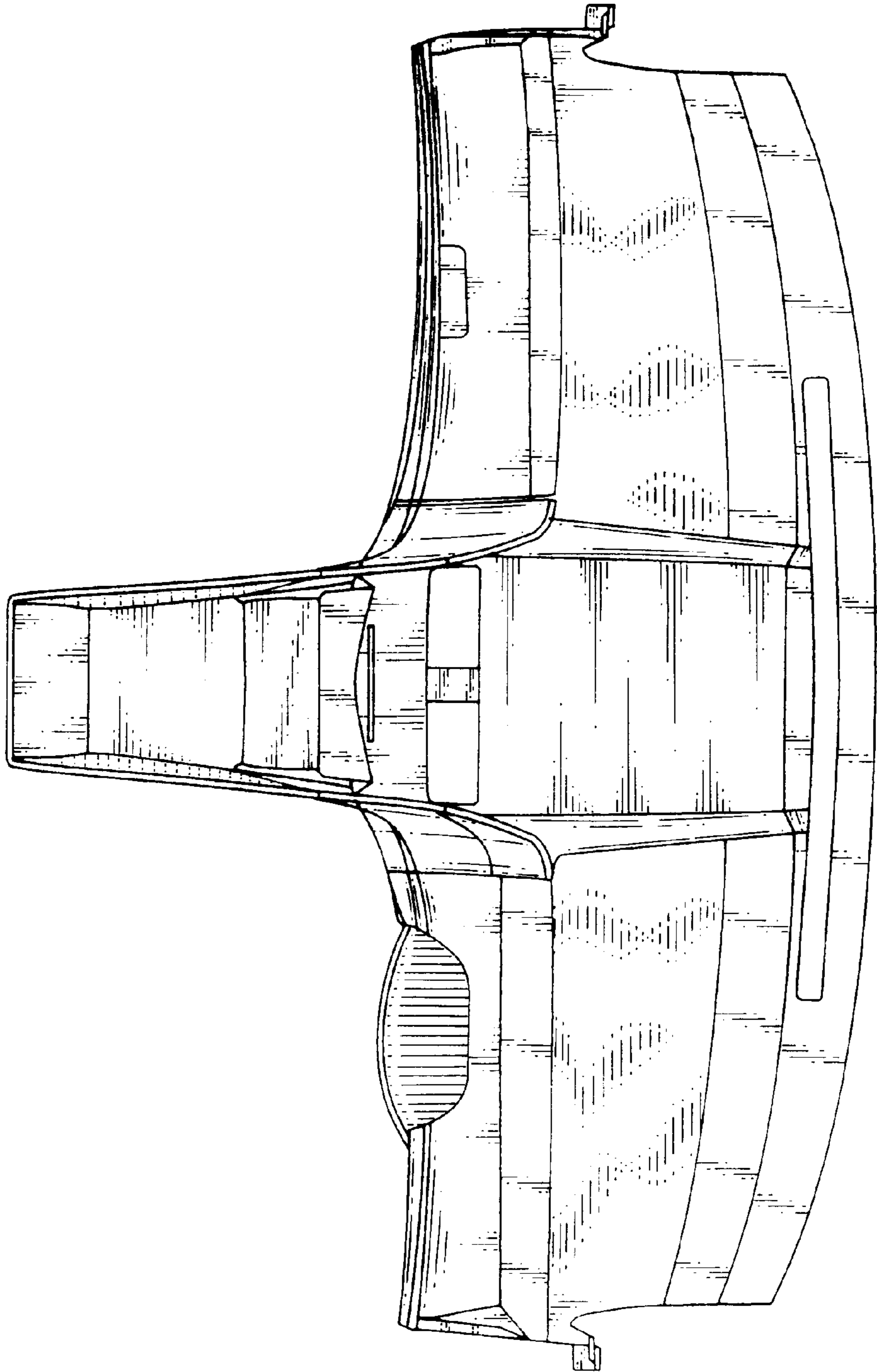


FIG. 9

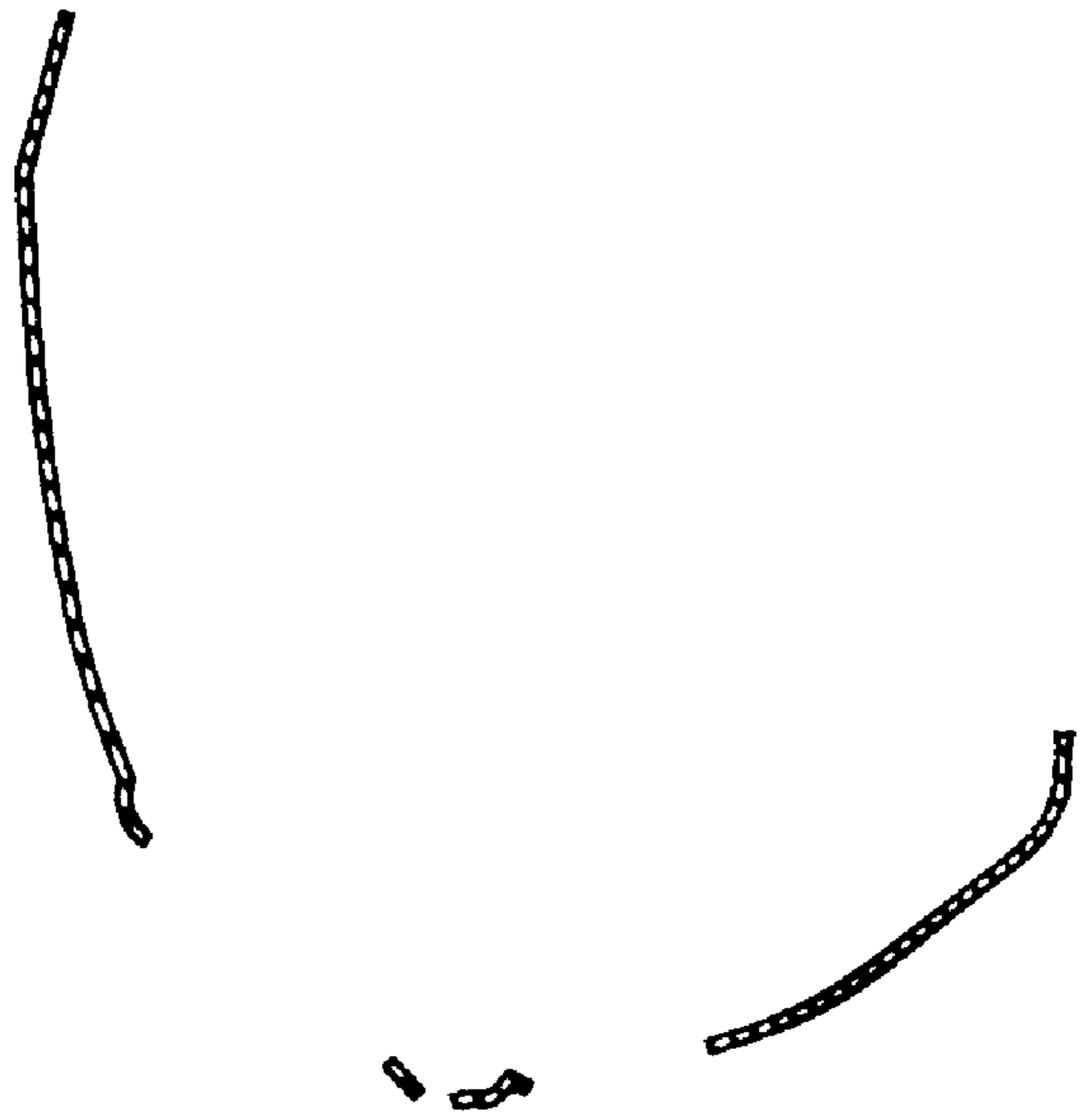


FIG. 10



FIG. 11

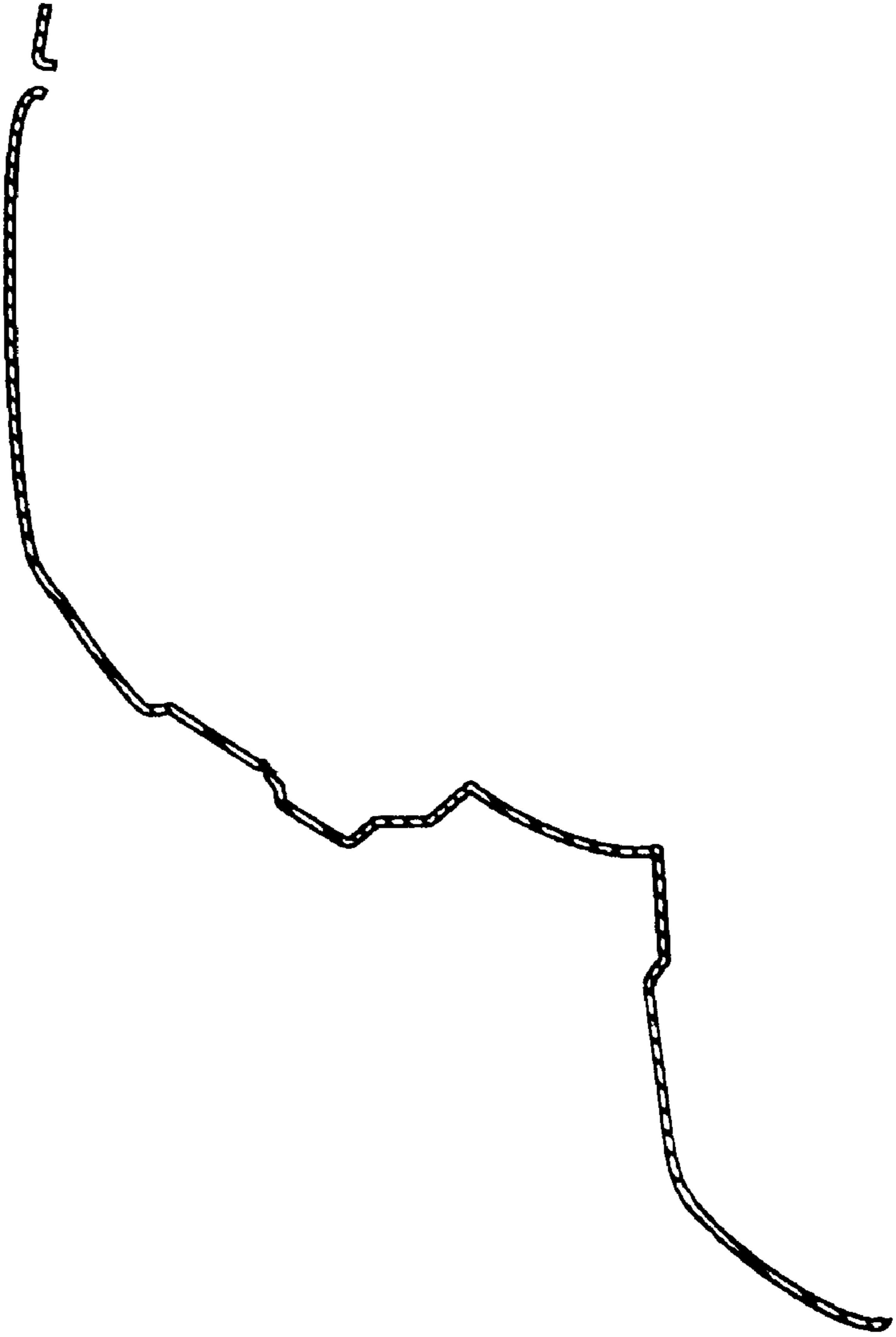
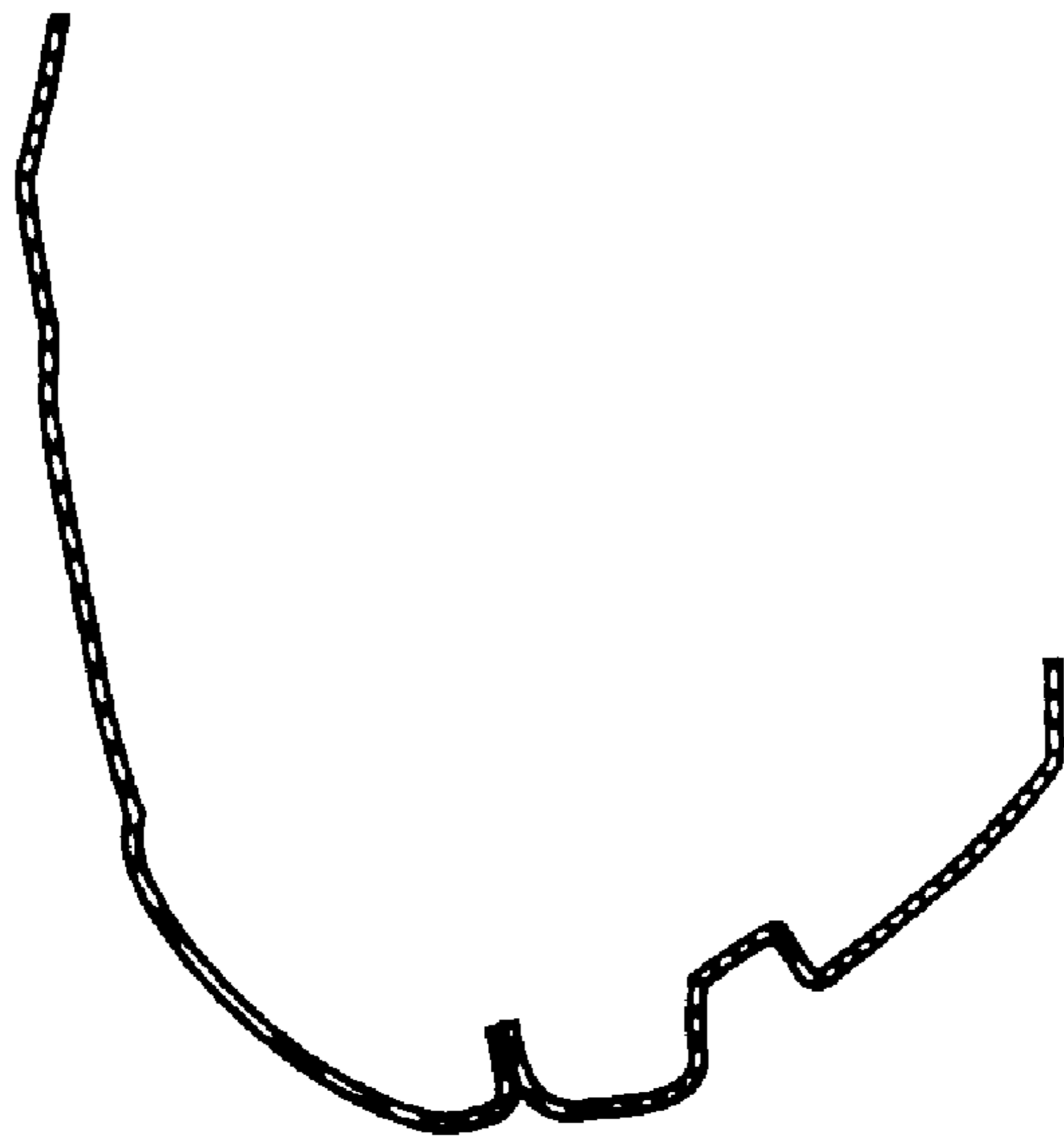


FIG. 12



UNITED STATES PATENT AND TRADEMARK OFFICE
CERTIFICATE OF CORRECTION

PATENT NO. : Des. 470,809 S
DATED : February 25, 2003
INVENTOR(S) : Yoshinori Asahi, Kotaro Mori and Chiyuki Ishigame

Page 1 of 1

It is certified that error appears in the above-identified patent and that said Letters Patent is hereby corrected as shown below:

Title page,
Item [73], should read:

-- [73] Assignee: **Honda Giken Kogyo Kabushiki Kaisha, Tokyo (JP)** --

Signed and Sealed this

Twenty-seventh Day of May, 2003

A handwritten signature in black ink, appearing to read "James E. Rogan", written over a horizontal line.

JAMES E. ROGAN
Director of the United States Patent and Trademark Office