



US00D470807S

(12) **United States Design Patent**
Wyszogrod et al.

(10) **Patent No.:** **US D470,807 S**

(45) **Date of Patent:** **** Feb. 25, 2003**

(54) **INSTRUMENT PANEL**

(75) **Inventors:** **Jose Wyszogrod**, Los Angeles, CA
(US); **Osamu Nakajima**, Torrance, CA
(US); **Koji Kamata**, Niiza (JP)

(73) **Assignee:** **Honda Giken Kogyo Kabushiki**
Kaisha, Tokyo (JP)

(**) **Term:** **14 Years**

(21) **Appl. No.:** **29/157,775**

(22) **Filed:** **Mar. 26, 2002**

(51) **LOC (7) Cl.** **12-16**

(52) **U.S. Cl.** **D12/192**

(58) **Field of Search** D12/192; 180/90;
280/750, 752, DIG. 5; 296/70-74, 190-191;
248/27.1-27.3, 904

(56) **References Cited**

U.S. PATENT DOCUMENTS

- D285,915 S * 9/1986 Luthe et al. D12/192
- D372,010 S * 7/1996 Pfeiffer et al. D12/192
- D378,910 S * 4/1997 Black et al. D12/192
- D389,798 S * 1/1998 Ma et al. D12/192

- D403,641 S * 1/1999 Sacco et al. D12/192
- D405,408 S * 2/1999 Yoshida et al. D12/192
- D413,095 S * 8/1999 Abalos et al. D12/192
- D419,936 S * 2/2000 Sacco et al. D12/192
- D423,434 S * 4/2000 Yano et al. D12/192
- D423,435 S * 4/2000 Sato D12/192
- D449,263 S * 10/2001 Yamazaki et al. D12/192
- D464,008 S * 10/2002 Siegert et al. D12/192

* cited by examiner

Primary Examiner—Stacia Cadmus

(74) *Attorney, Agent, or Firm*—Banner & Witcoff, Ltd.

(57) **CLAIM**

The ornamental design for an instrument panel, as shown and described.

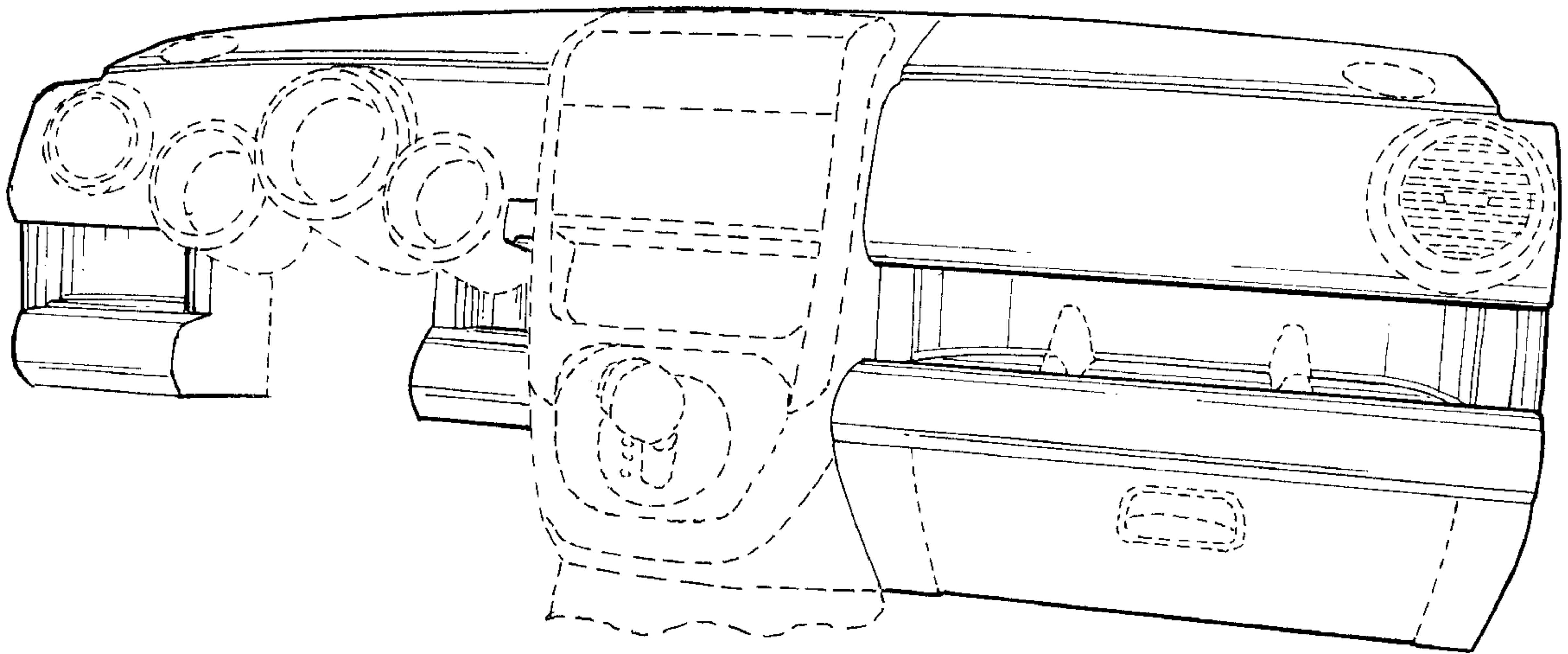
DESCRIPTION

FIG. 1 is a right frontal perspective view of the instrument panel showing our new design; and,

FIG. 2 is a left frontal perspective view thereof.

The broken line showings of the vents, speakers, center console, gear shift handle, glove compartment, storage dividers, and other components are for illustrative purposes only and form no part of the claimed design.

1 Claim, 2 Drawing Sheets



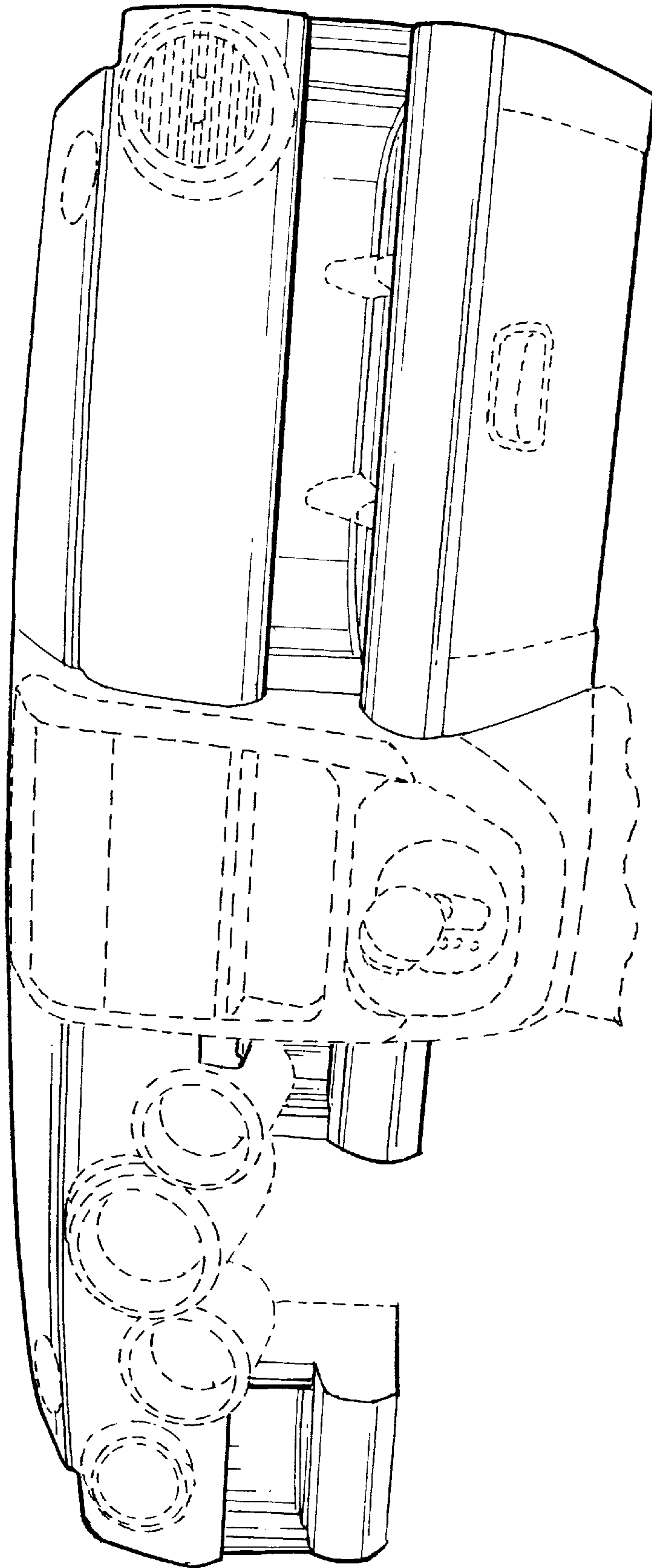


FIG. 1

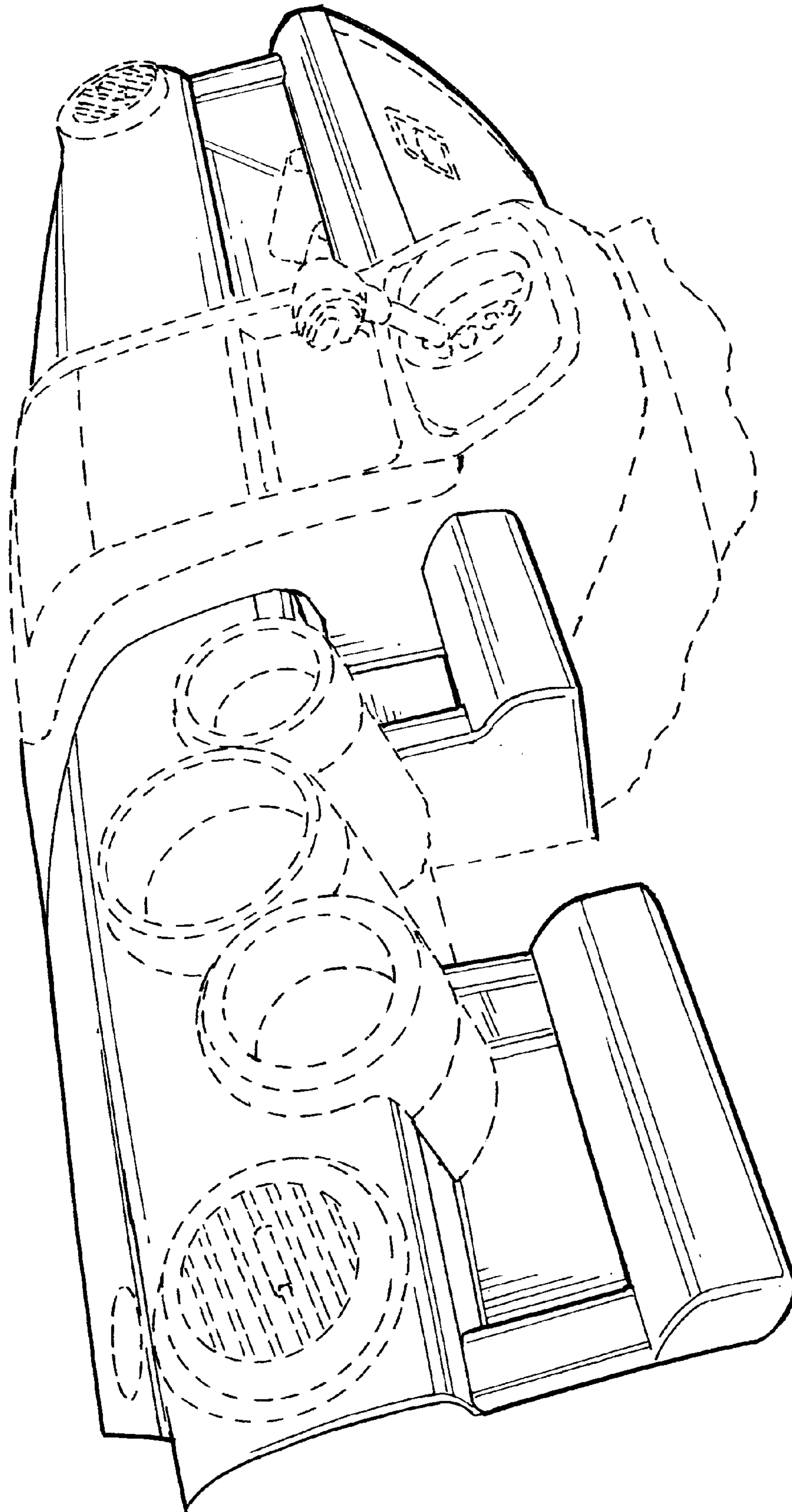


FIG. 2