



US00D470803S

(12) **United States Design Patent**  
**Hansen**

(10) **Patent No.:** **US D470,803 S**

(45) **Date of Patent:** **\*\* Feb. 25, 2003**

(54) **STROLLER TRAY**

(76) Inventor: **Kimberly K. Hansen**, 304 Camino  
Bravado, San Clemente, CA (US) 92673

(\*\*) Term: **14 Years**

(21) Appl. No.: **29/158,728**

(22) Filed: **Apr. 10, 2002**

(51) **LOC (7) Cl.** ..... **12-12**

(52) **U.S. Cl.** ..... **D12/133**

(58) **Field of Search** ..... D12/128, 130,  
D12/133; 297/5, 6, 188; 224/42.46, 42.42;  
220/23.83; 135/67.65, 75.85

(56) **References Cited**

**U.S. PATENT DOCUMENTS**

D324,504 S \* 3/1992 Olsen ..... D12/133  
D451,054 S \* 11/2001 Thom et al. .... D12/133

\* cited by examiner

*Primary Examiner*—Marcus A. Jackson  
(74) *Attorney, Agent, or Firm*—Edward E. Roberts

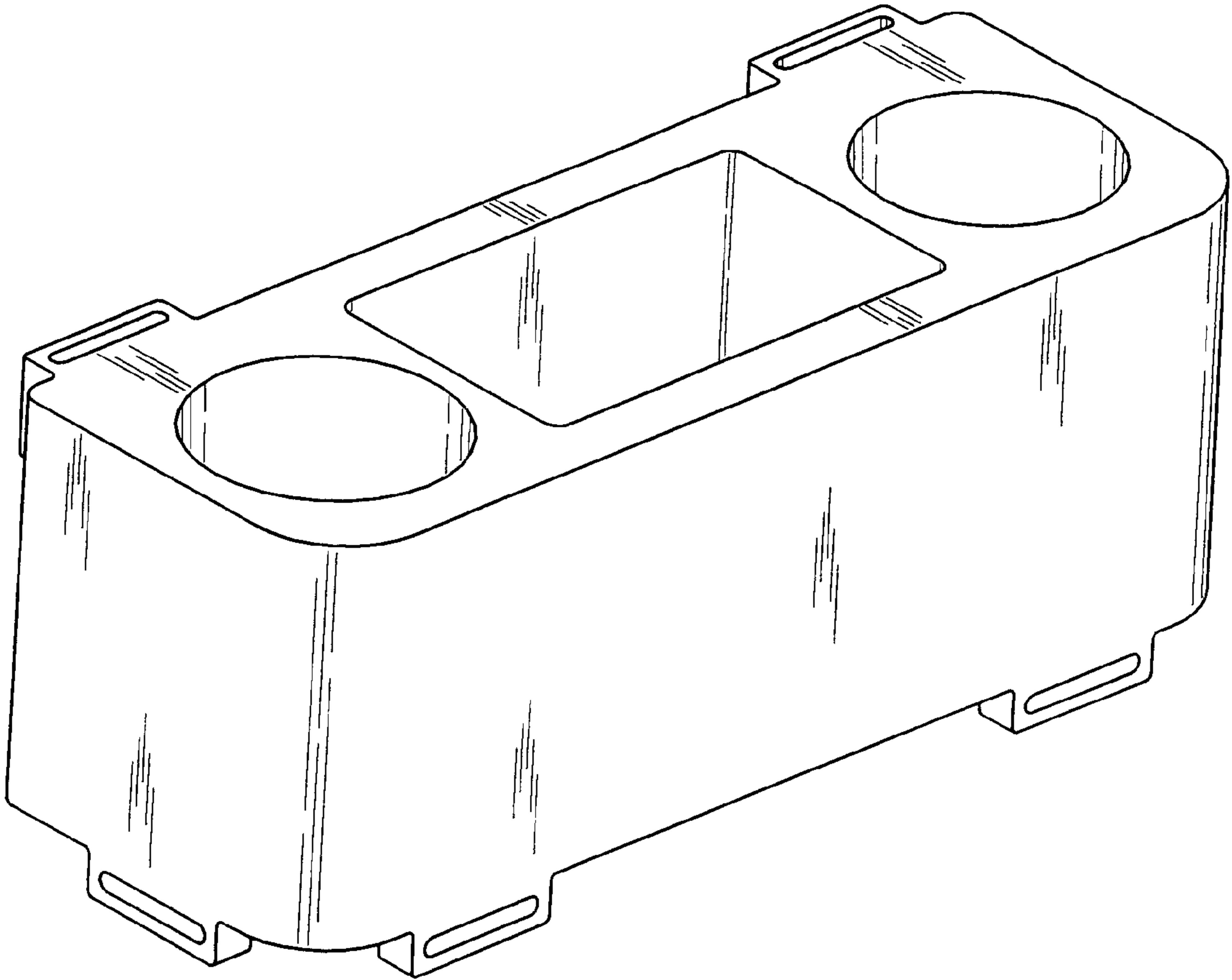
(57) **CLAIM**

The ornamental design for a stroller tray, as shown and described.

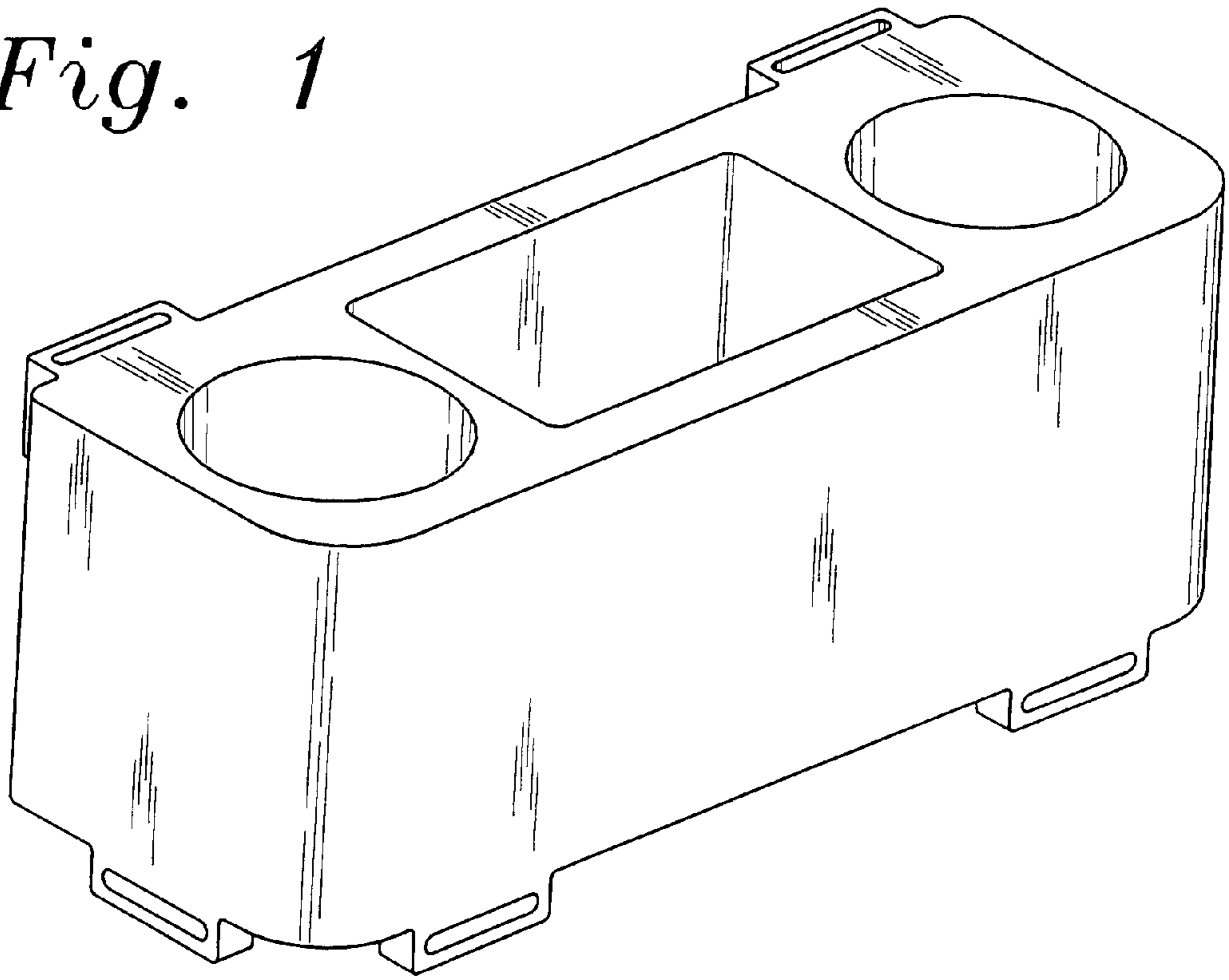
**DESCRIPTION**

FIG. 1 is a perspective view of a stroller tray showing my new design;  
FIG. 2 is a left side elevational view of the stroller tray of FIG. 1;  
FIG. 3 is a front elevational view of the stroller tray of FIG. 1;  
FIG. 4 is a rear elevational view of the stroller tray of FIG. 1;  
FIG. 5 is a top plan view of the stroller tray of FIG. 1; and,  
FIG. 6 is a bottom plan view of the stroller tray of FIG. 1.

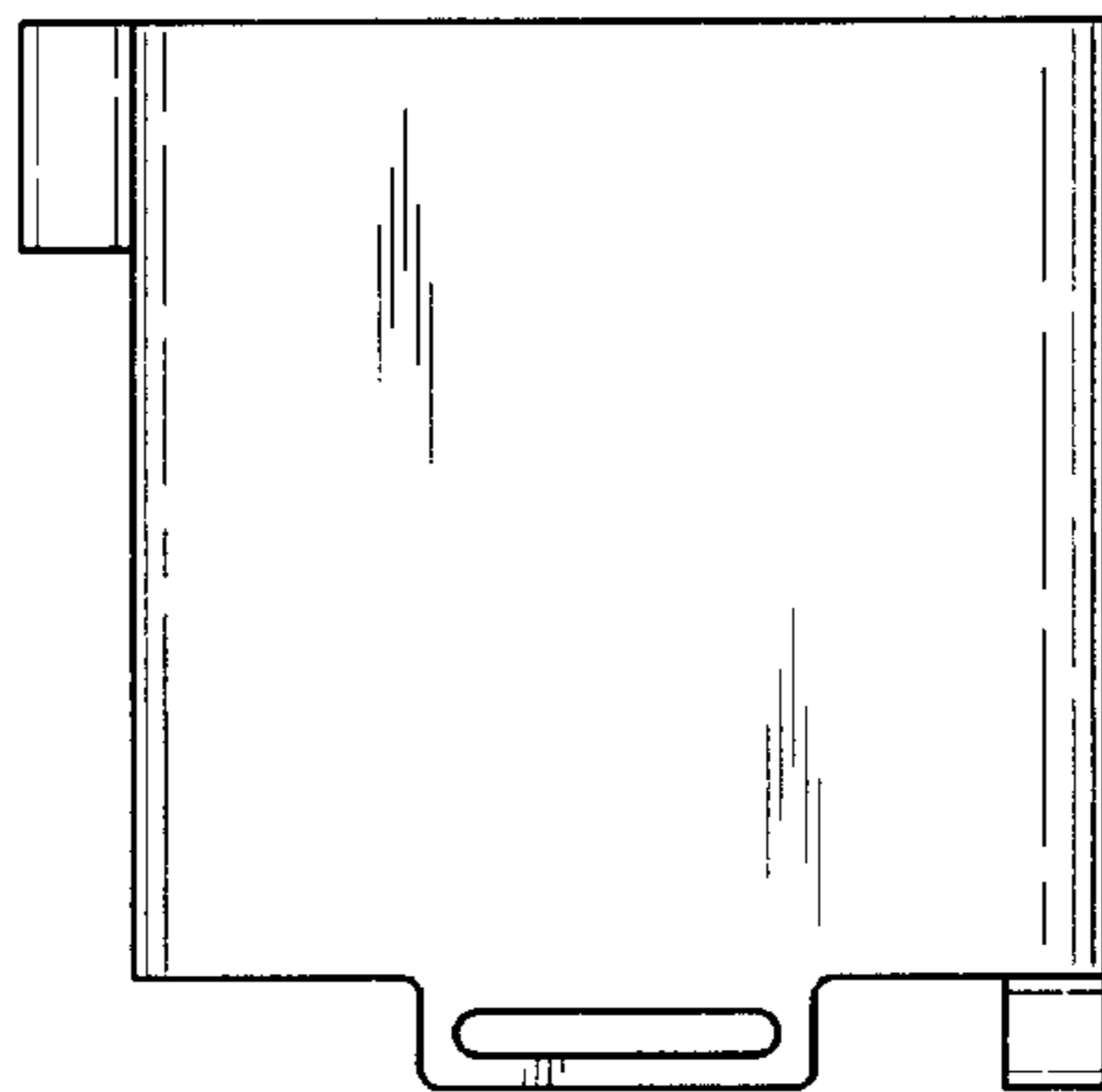
**1 Claim, 3 Drawing Sheets**



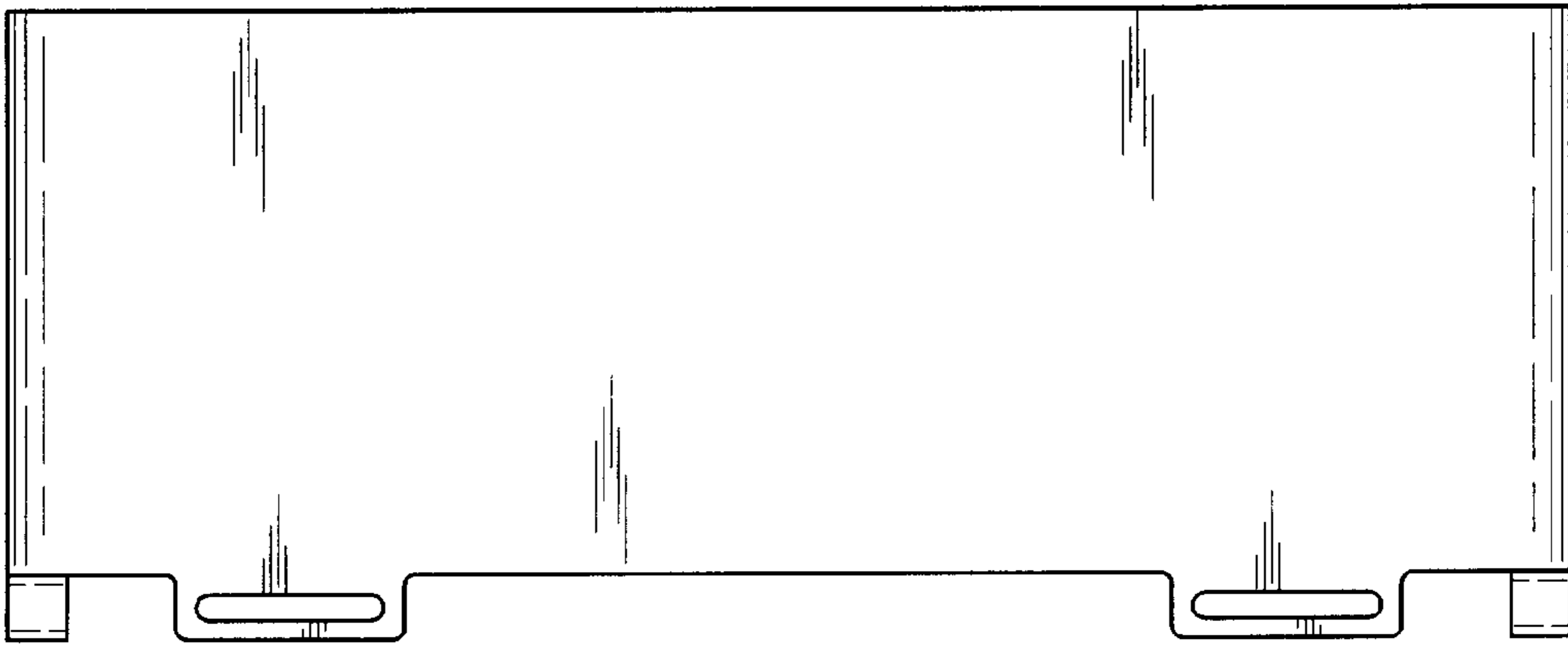
*Fig. 1*



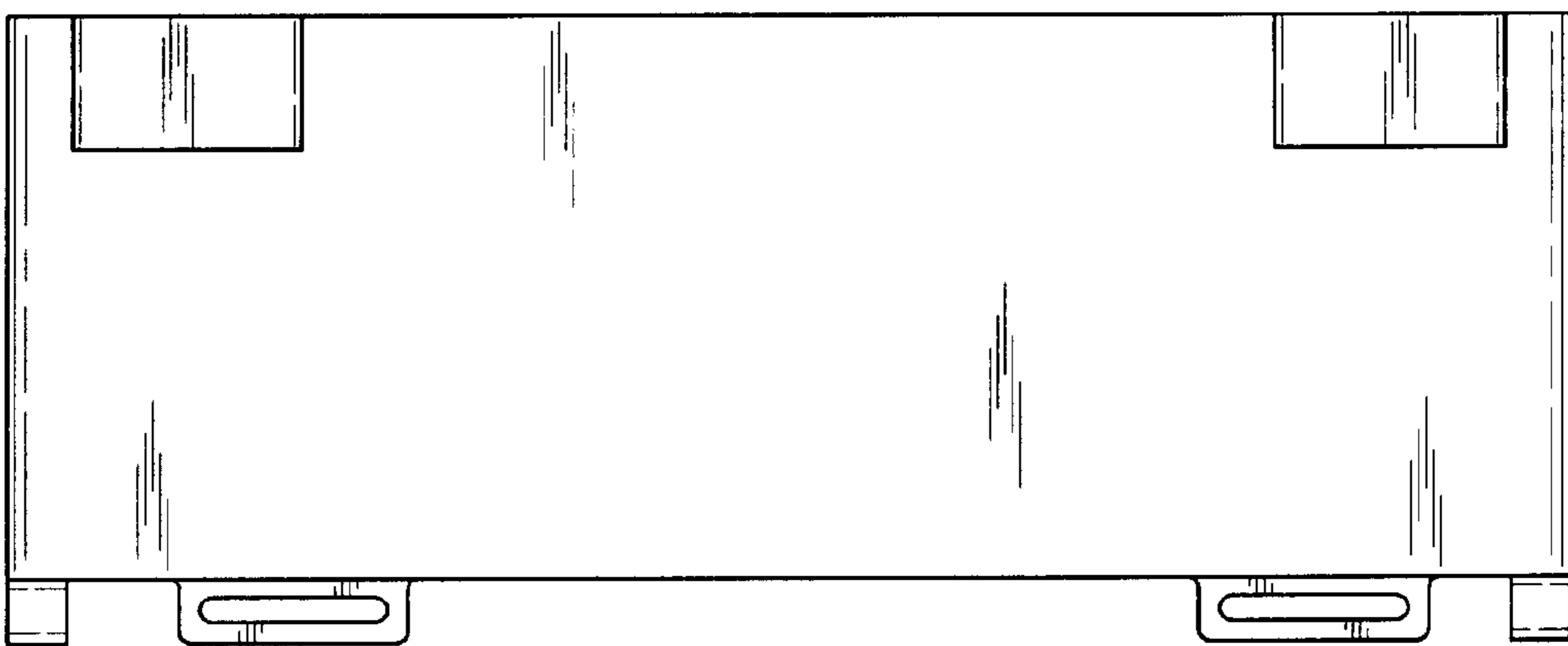
*Fig. 2*



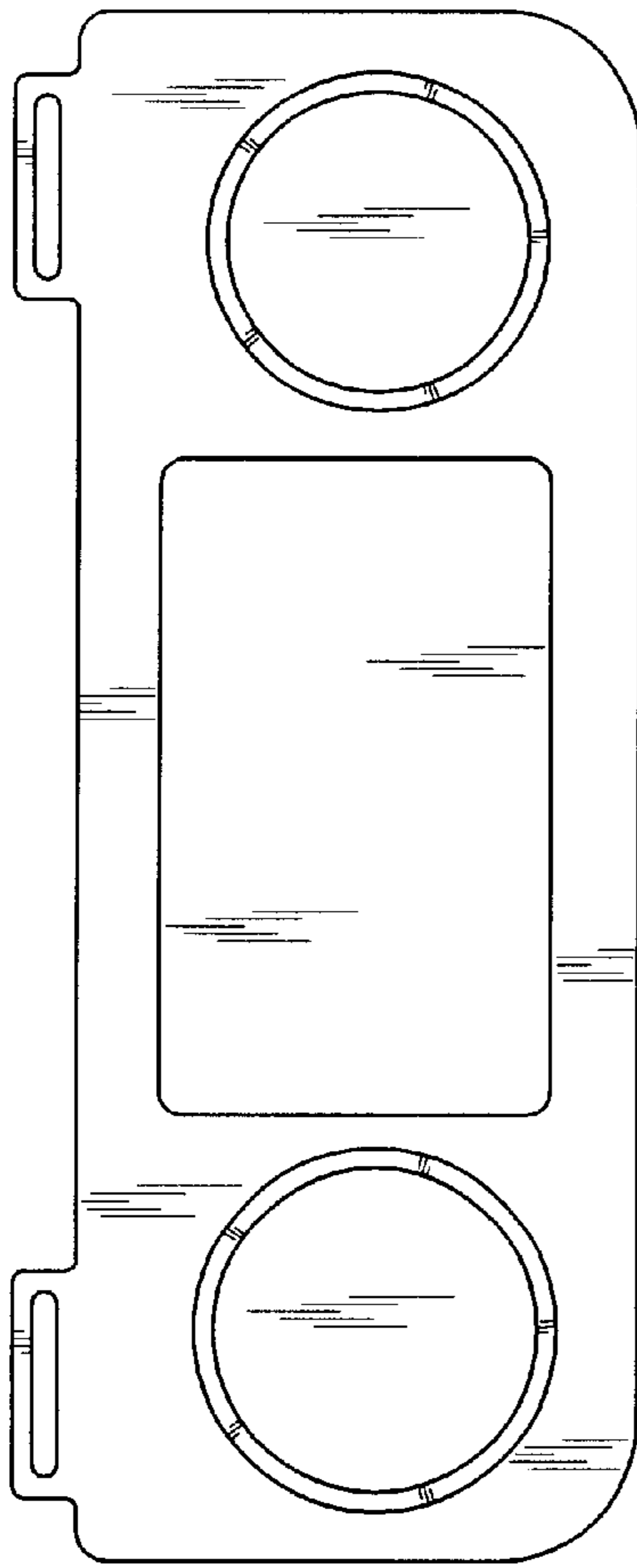
*Fig. 3*



*Fig. 4*



*Fig. 5*



*Fig. 6*

