



US00D470802S

(12) **United States Design Patent**
You

(10) **Patent No.:** **US D470,802 S**

(45) **Date of Patent:** **** Feb. 25, 2003**

(54) **STROLLER**

(75) **Inventor:** **Youn-Fu You, Chang-Hua (TW)**

(73) **Assignee:** **Link Treasure Limited, Chia-I Hsien (TW)**

(**) **Term:** **14 Years**

(21) **Appl. No.:** **29/161,010**

(22) **Filed:** **May 22, 2002**

(30) **Foreign Application Priority Data**

Nov. 28, 2001 (TW) 90307633

(51) **LOC (7) Cl.** **12-12**

(52) **U.S. Cl.** **D12/129**

(58) **Field of Search** D12/128-133;
280/47.4, 642, 644, 647, 650, 658

(56) **References Cited**

U.S. PATENT DOCUMENTS

D387,019 S * 12/1997 Yang D12/129

D419,493 S * 1/2000 Flannery et al. D12/129

D453,717 S * 2/2002 Hawker et al. D12/129

D457,110 S * 5/2002 Huang D12/129

* cited by examiner

Primary Examiner—Marcus A. Jackson

(74) *Attorney, Agent, or Firm*—Birch, Stewart, Kolasch & Birch, LLP

(57) **CLAIM**

The ornamental design for a stroller, as shown and described.

DESCRIPTION

FIG. 1 is a perspective view of a stroller showing our new design;

FIG. 2 is a left side elevational view thereof;

FIG. 3 is a right side elevational view thereof;

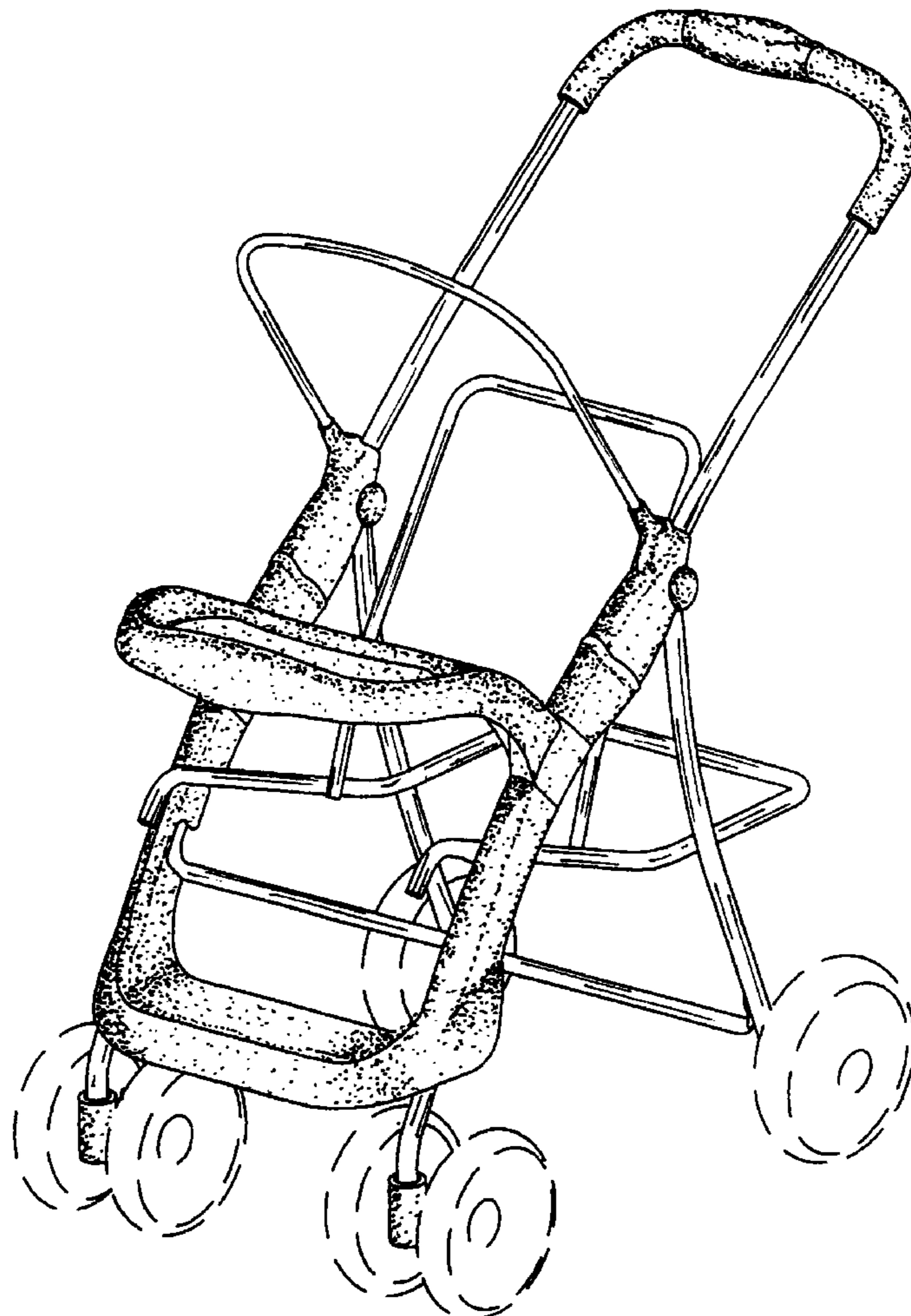
FIG. 4 is a front view thereof;

FIG. 5 is a rear view thereof;

FIG. 6 is a top view thereof; and,

FIG. 7 is a bottom view thereof.

1 Claim, 7 Drawing Sheets



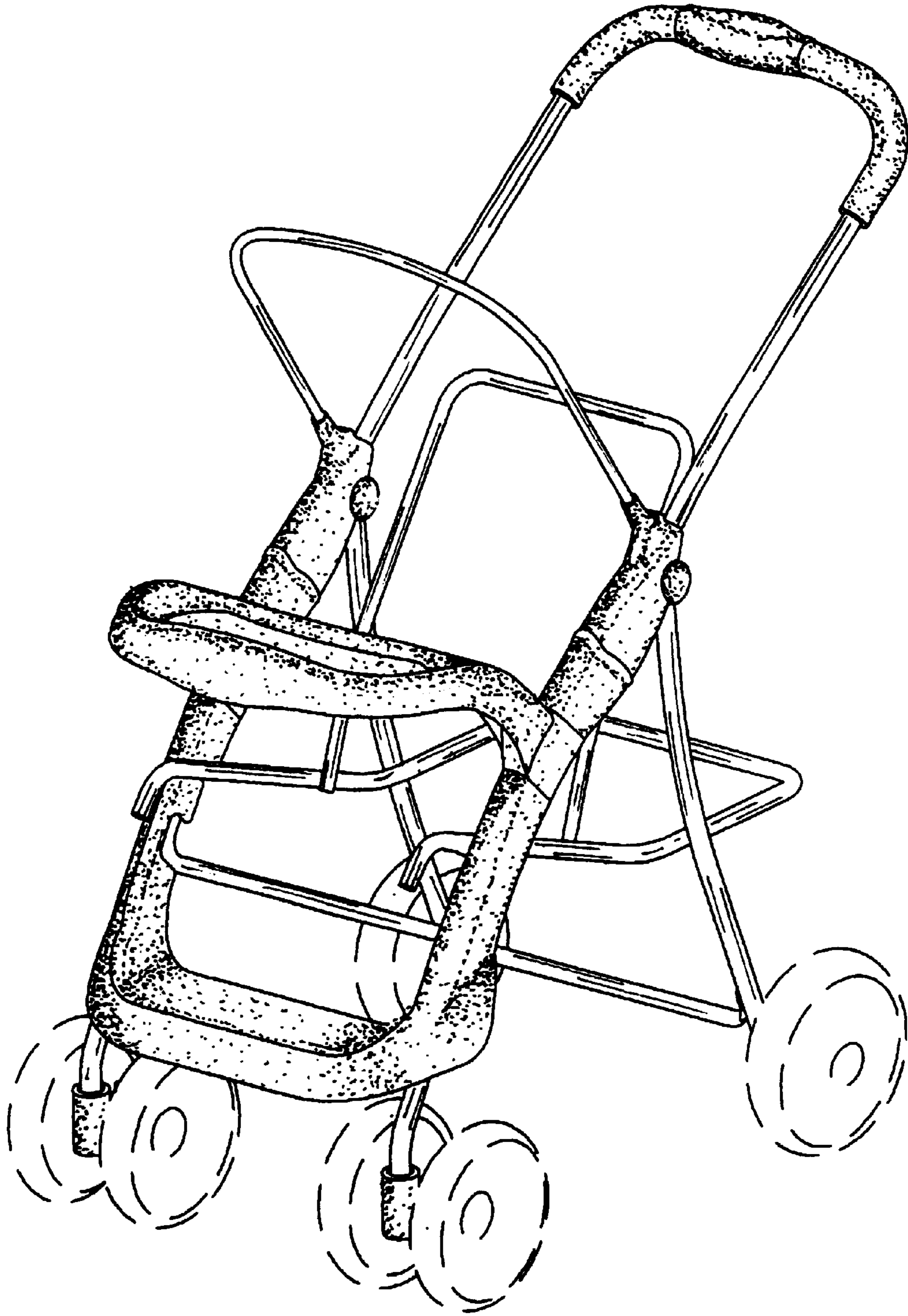


FIG. 1

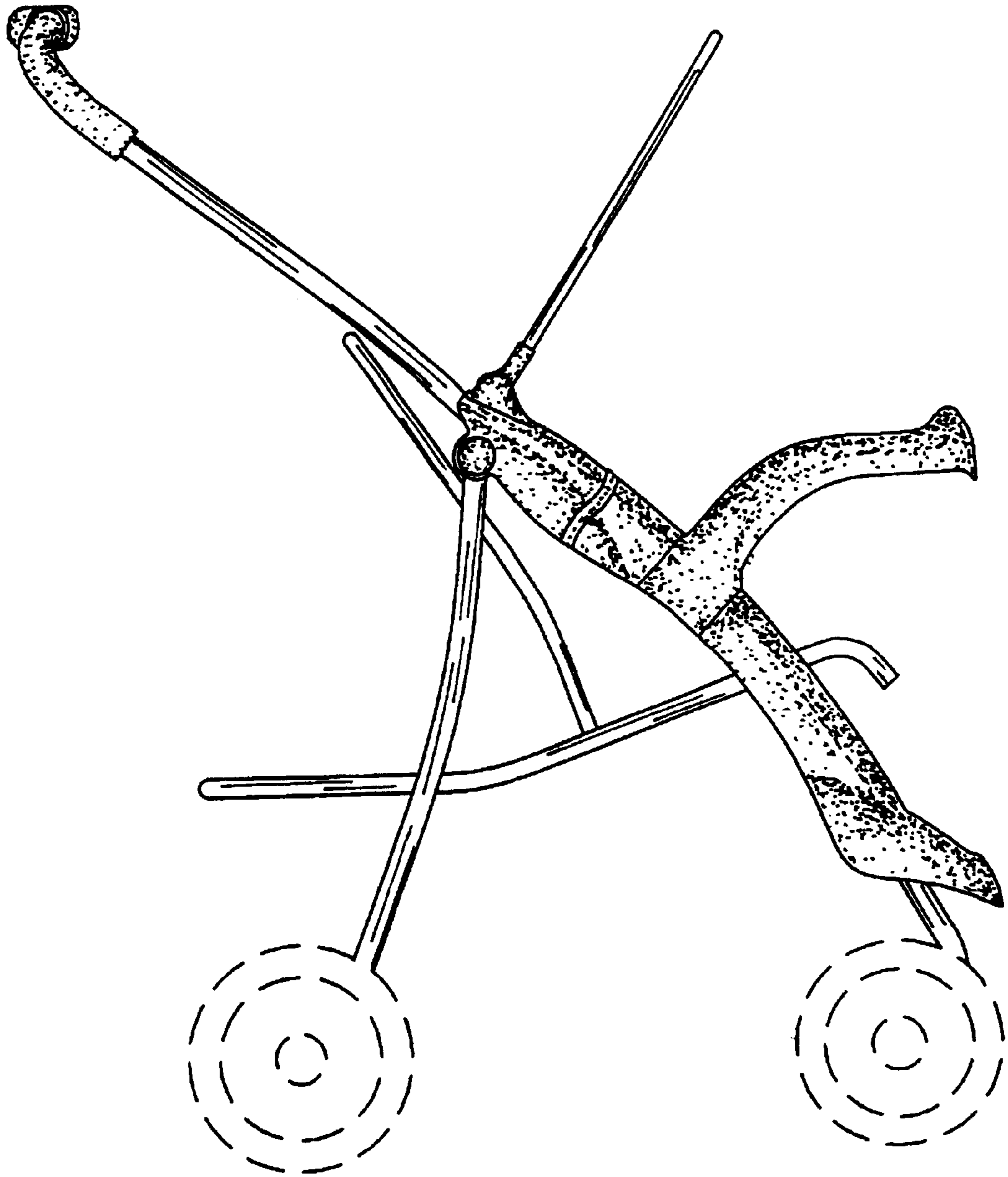


FIG. 2

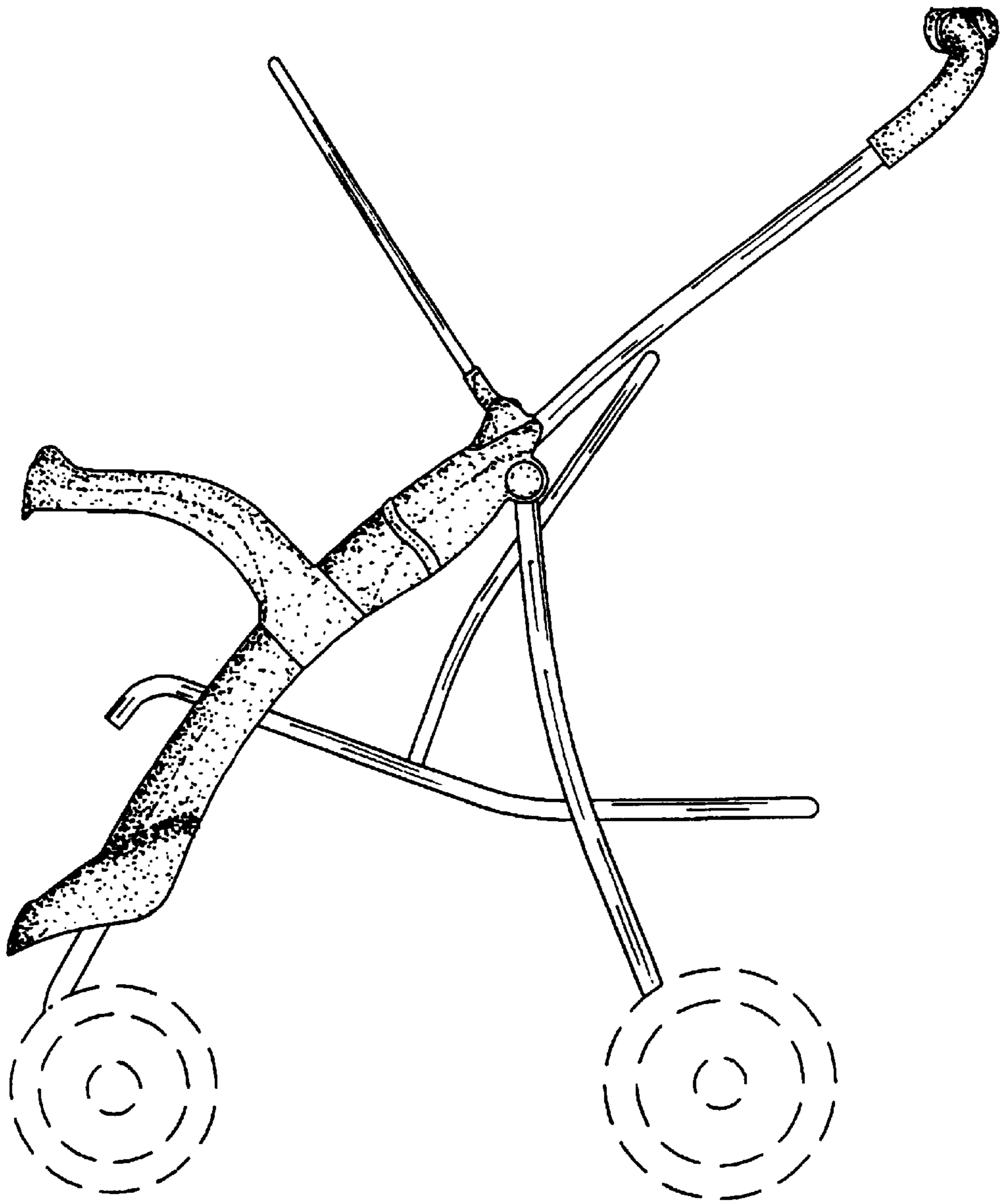


FIG. 3

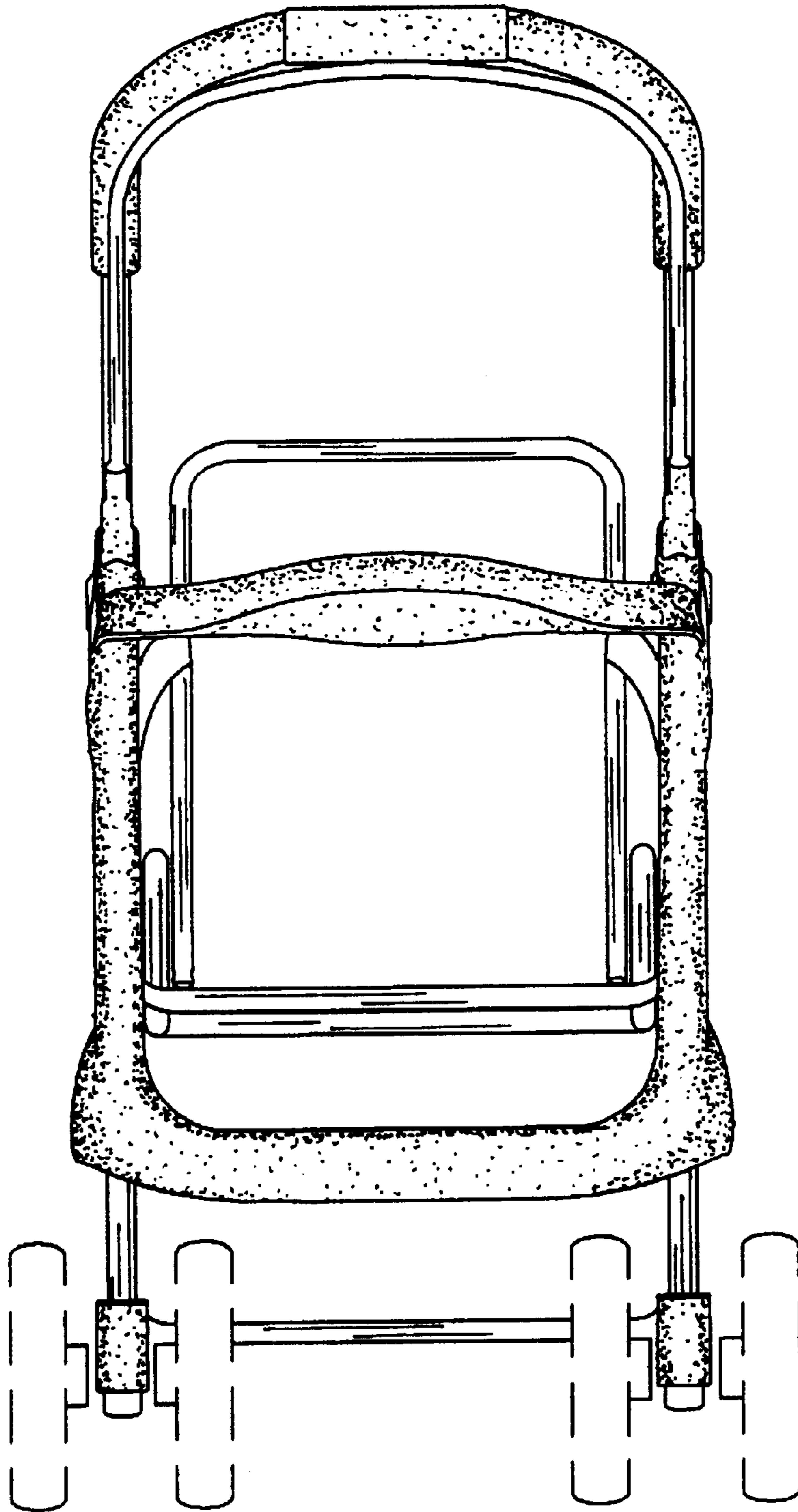


FIG. 4

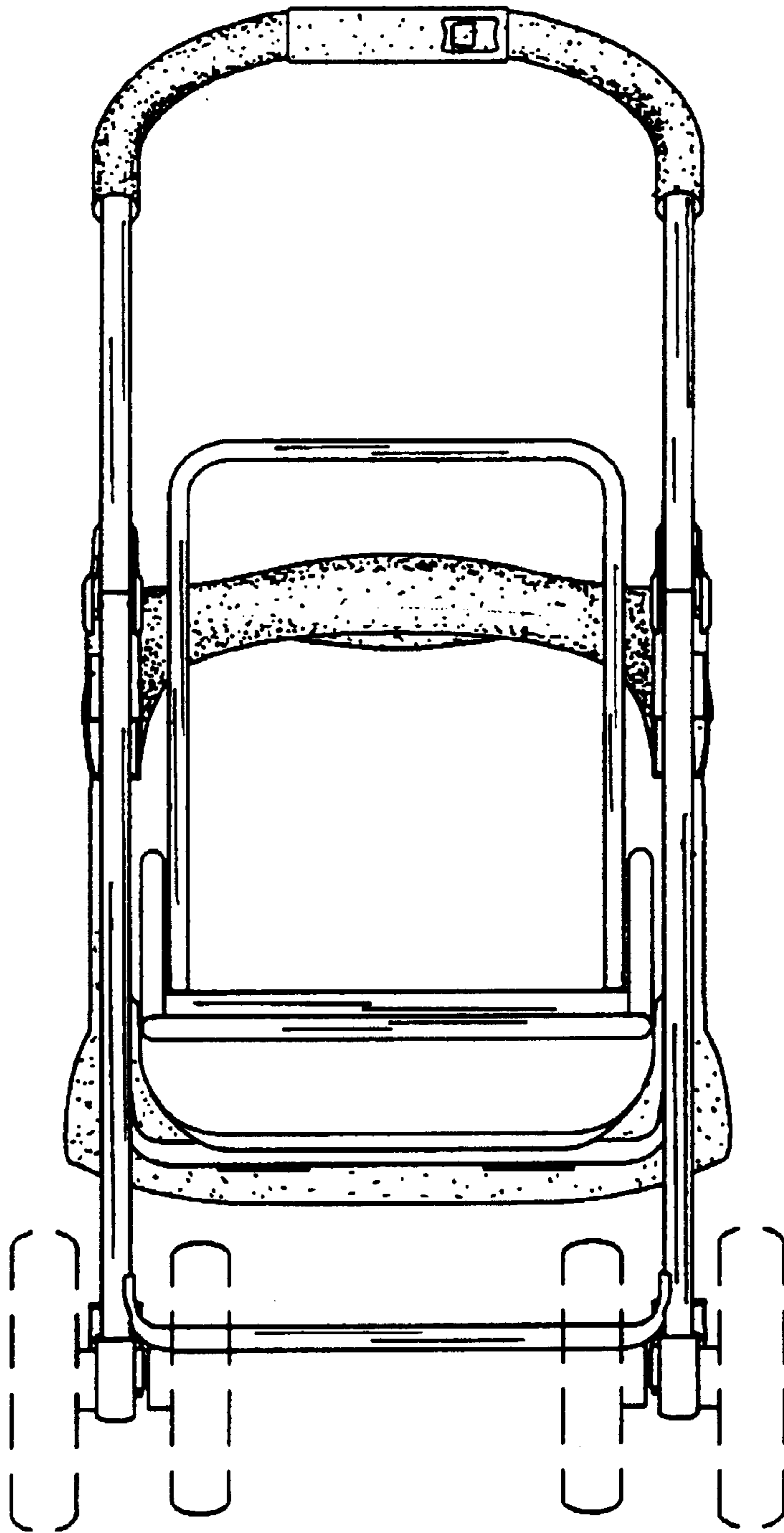


FIG. 5

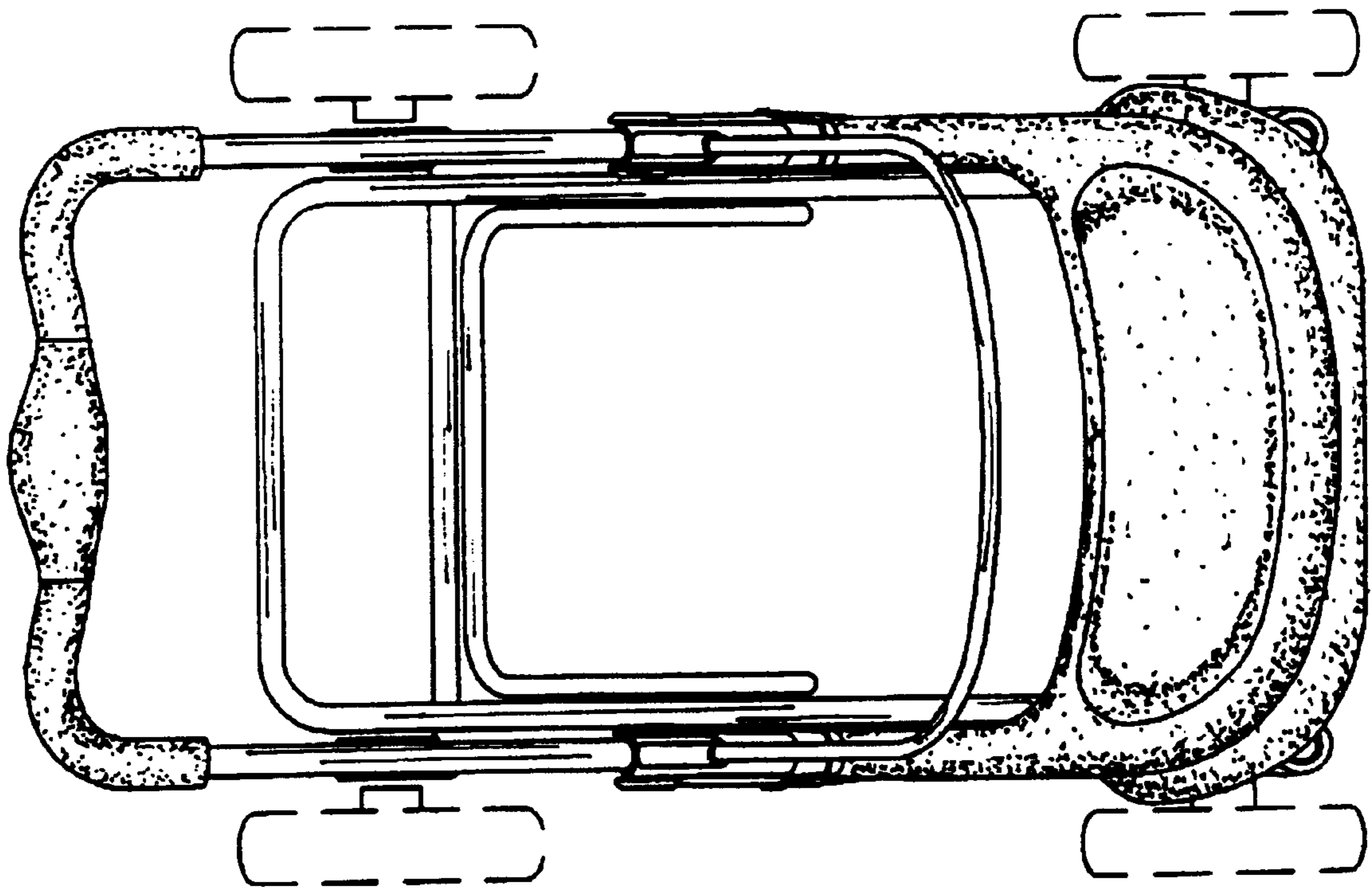


FIG. 6

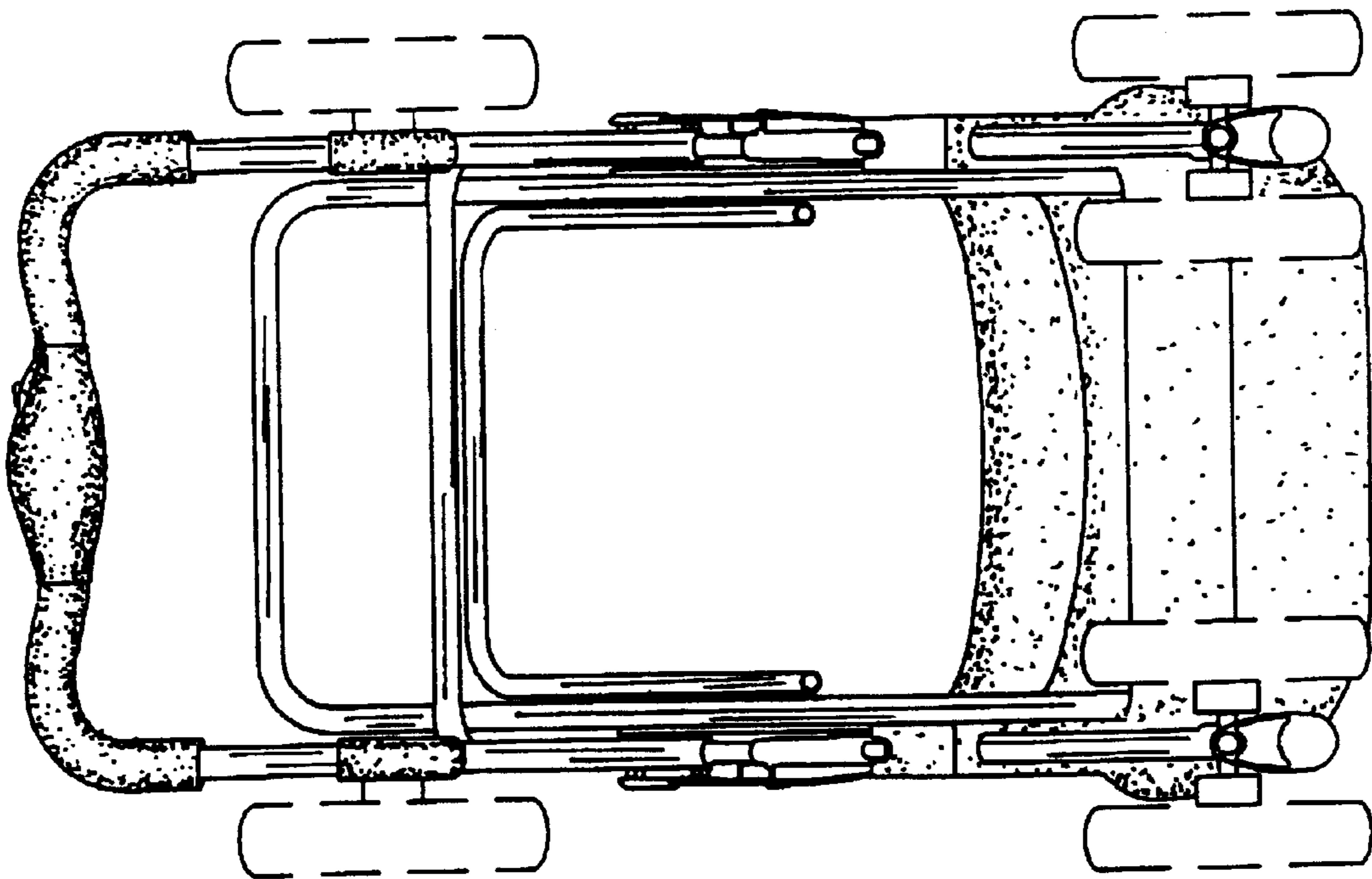


FIG. 7