



US00D470795S

(12) **United States Design Patent**
Terwilliger

(10) **Patent No.:** **US D470,795 S**

(45) **Date of Patent:** **** Feb. 25, 2003**

(54) **SWIVEL JOINT QUICK HITCH**

(76) **Inventor:** **Al G. Terwilliger**, 53 Massoit,
Clawson, MI (US) 48017

(**) **Term:** **14 Years**

(21) **Appl. No.:** **29/134,335**

(22) **Filed:** **Dec. 18, 2000**

(51) **LOC (7) Cl.** **12-01**

(52) **U.S. Cl.** **D12/20**

(58) **Field of Search** D12/17-20; 54/64,
54/40.1, 42.1, 1, 2; D30/134, 137, 138-139,
141, 136

(56) **References Cited**

U.S. PATENT DOCUMENTS

3,144,741	A	*	8/1964	Anderson	54/1
3,942,305	A	*	3/1976	Cameron	54/2
4,473,991	A	*	10/1984	La Mura et al.	54/2
5,081,826	A	*	1/1992	MacKay	54/2
6,446,419	B1	*	9/2002	Terwilliger	54/64

* cited by examiner

Primary Examiner—Stacia Cadmus

(74) *Attorney, Agent, or Firm*—James M. Deimen

(57) **CLAIM**

The ornamental design for a swivel joint quick hitch, as shown and described.

DESCRIPTION

FIG. 1 is a perspective view of a swivel joint quick hitch showing my new design;
FIG. 2 is a front elevational view;
FIG. 3 is a back elevational view;
FIG. 4 is a right side elevational view;
FIG. 5 is a left side elevational view;
FIG. 6 is a top plan view;
FIG. 7 is a bottom plan view;
FIG. 8 is a perspective view of a second embodiment of a swivel joint quick hitch; and,
FIG. 9 is a perspective view of a third embodiment of a swivel joint quick hitch.

1 Claim, 3 Drawing Sheets

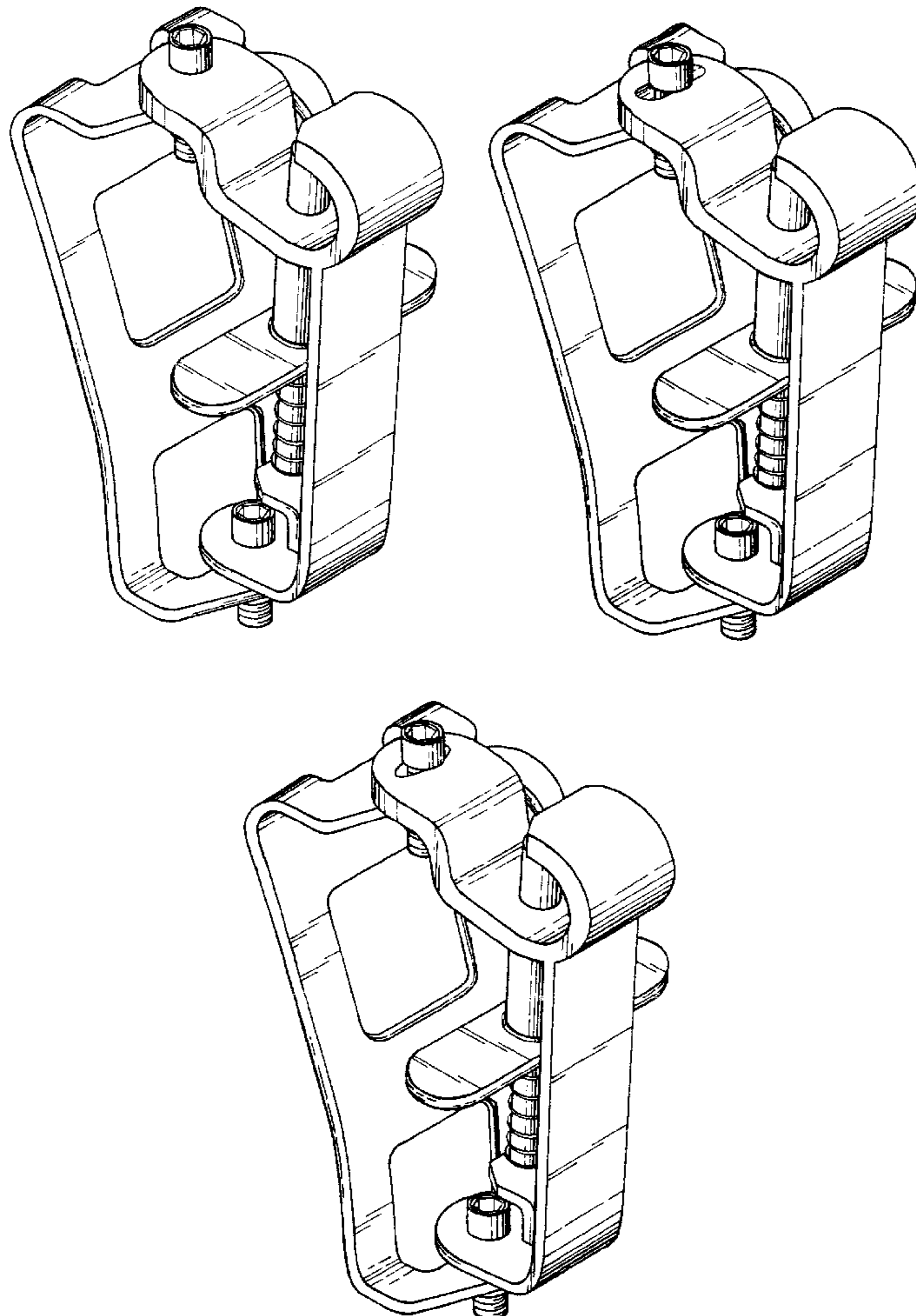


FIG 1

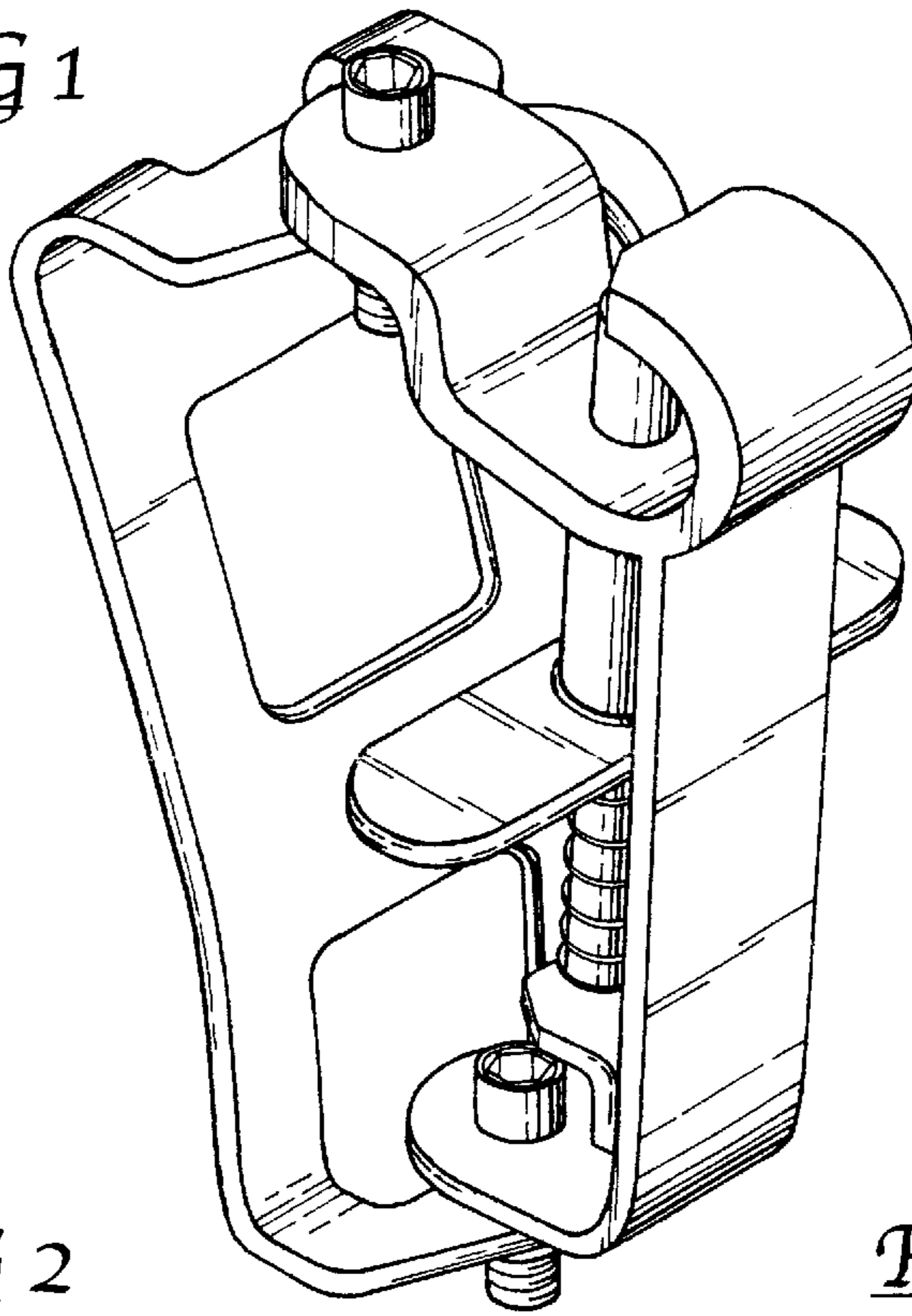


FIG 2

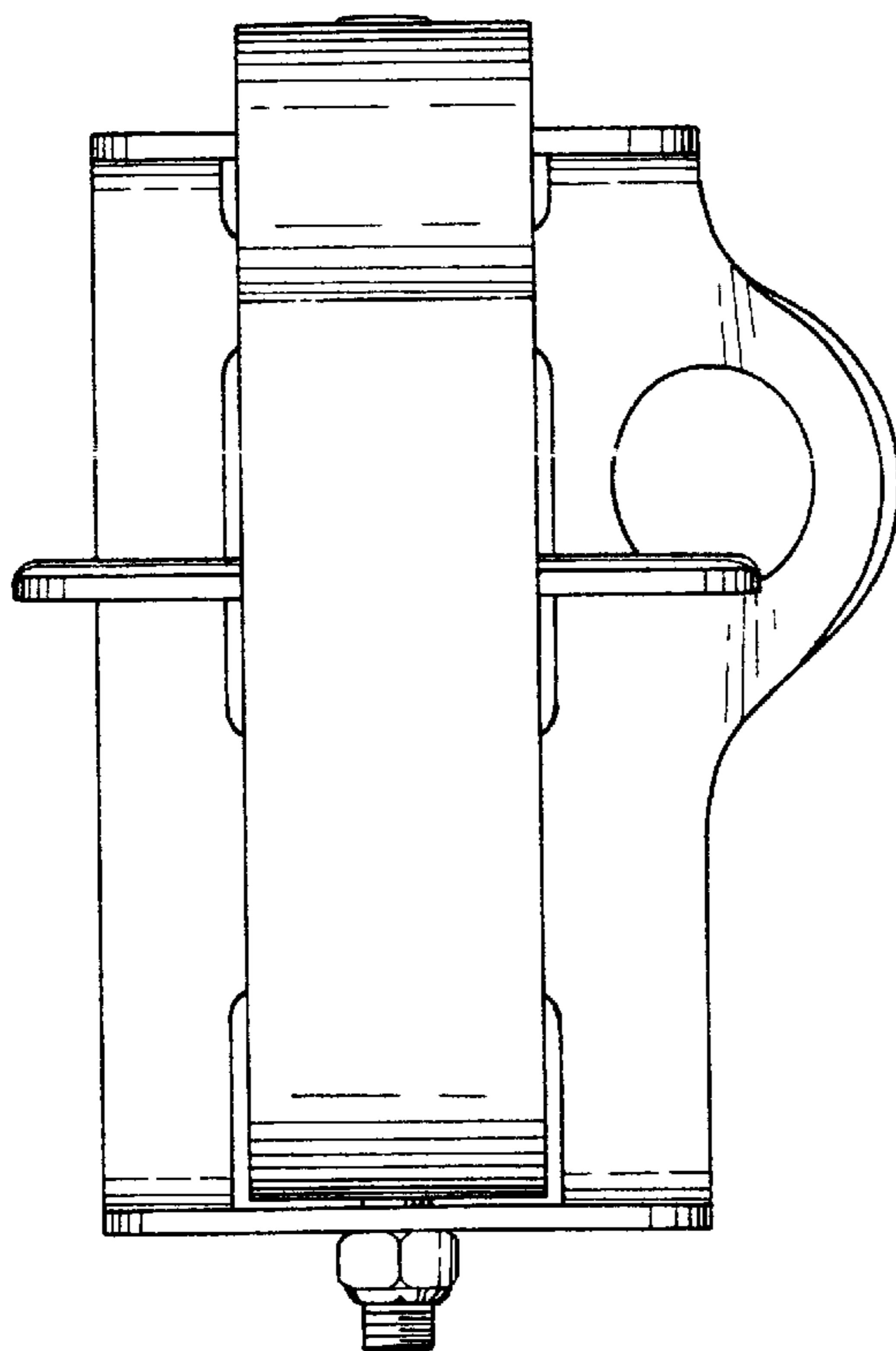


FIG 3

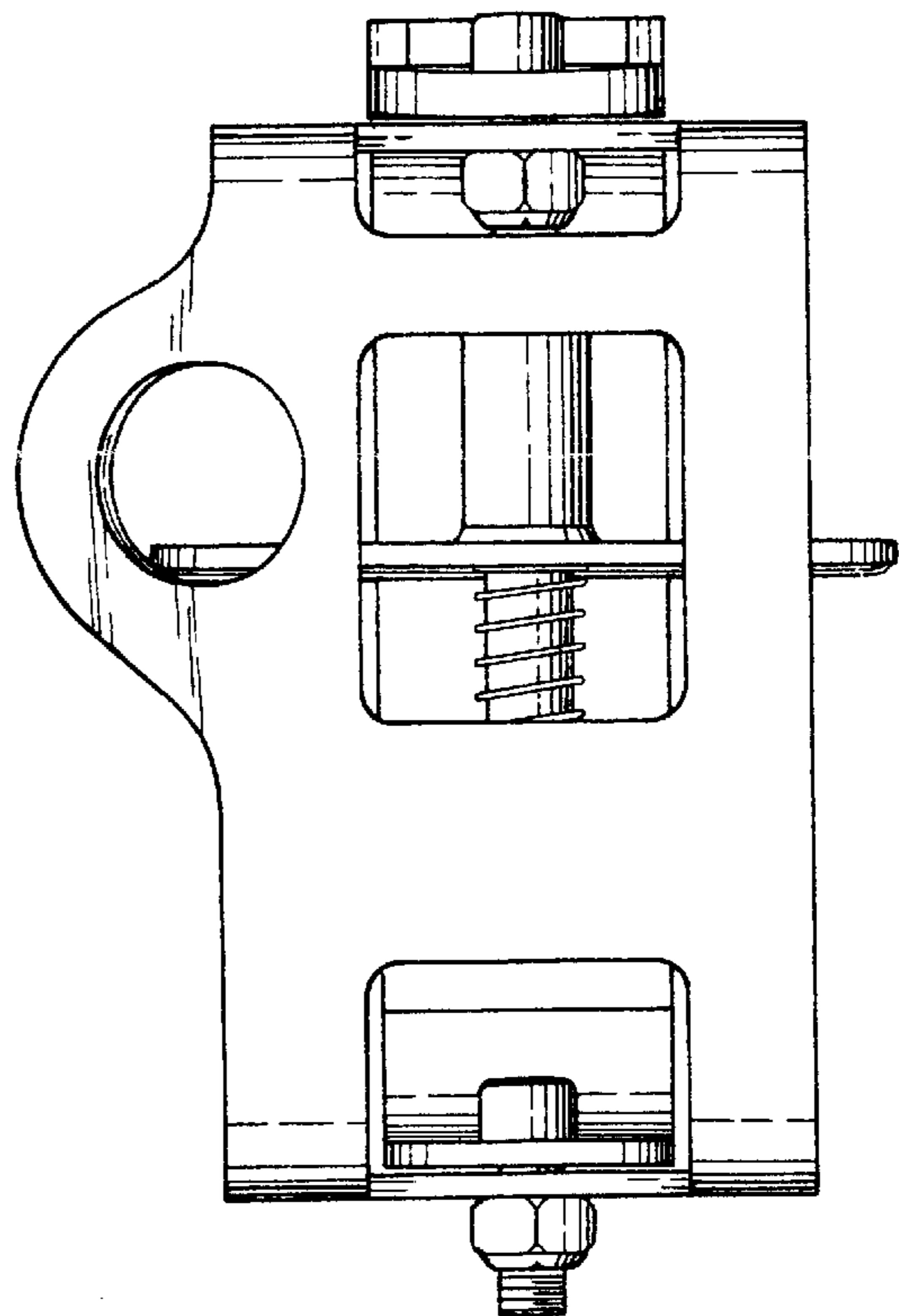


FIG 4

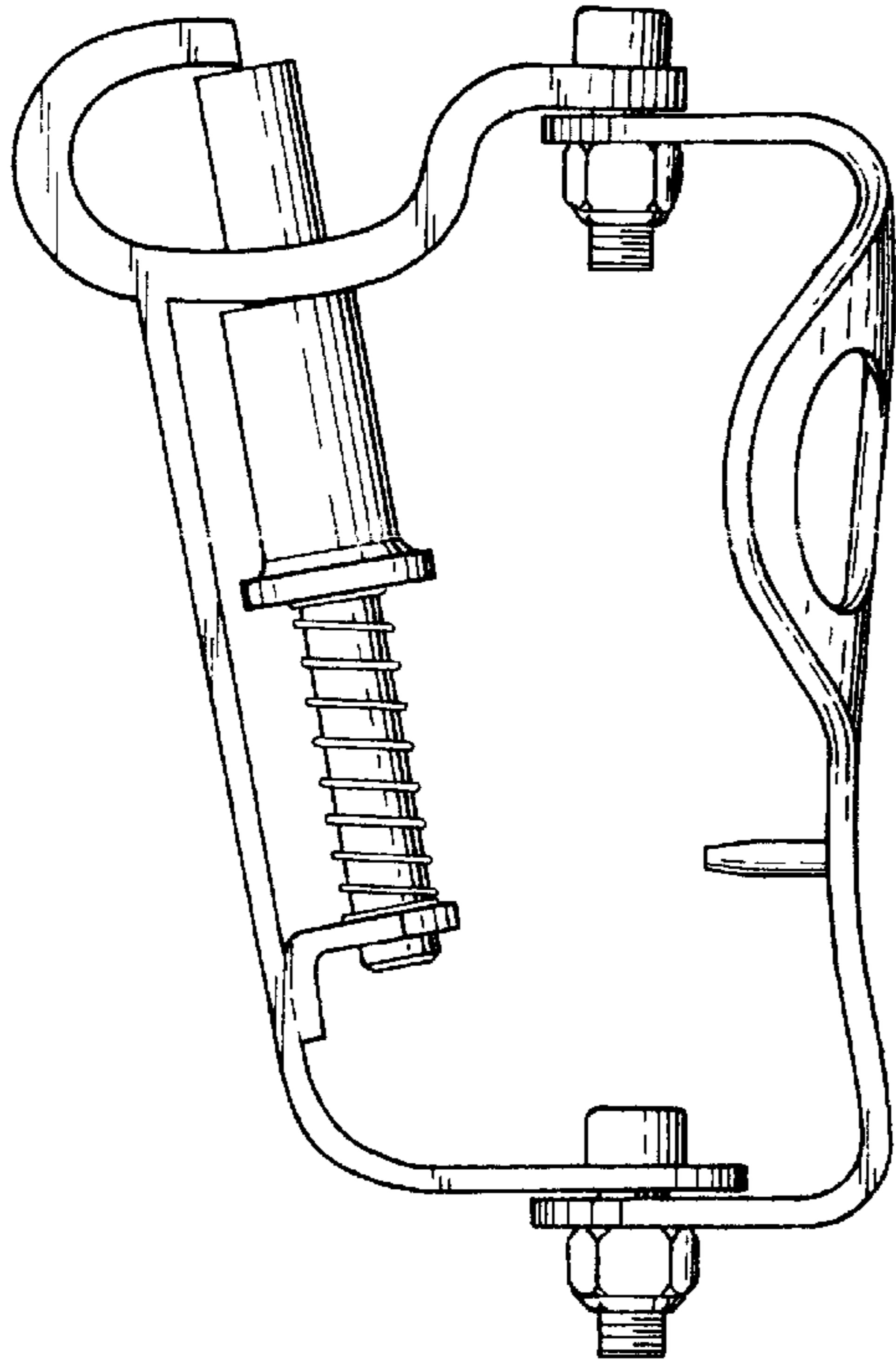


FIG 5

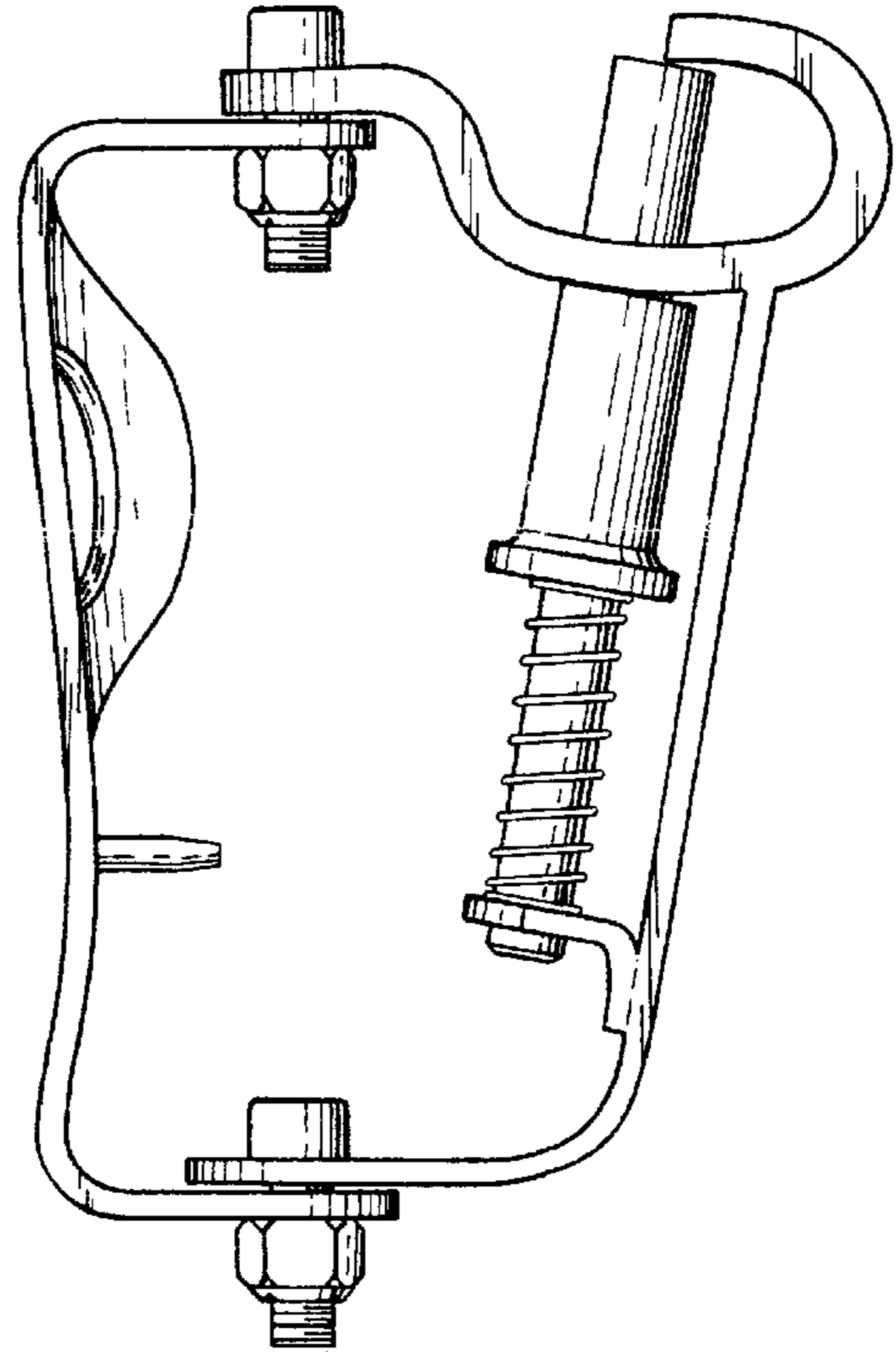


FIG 6

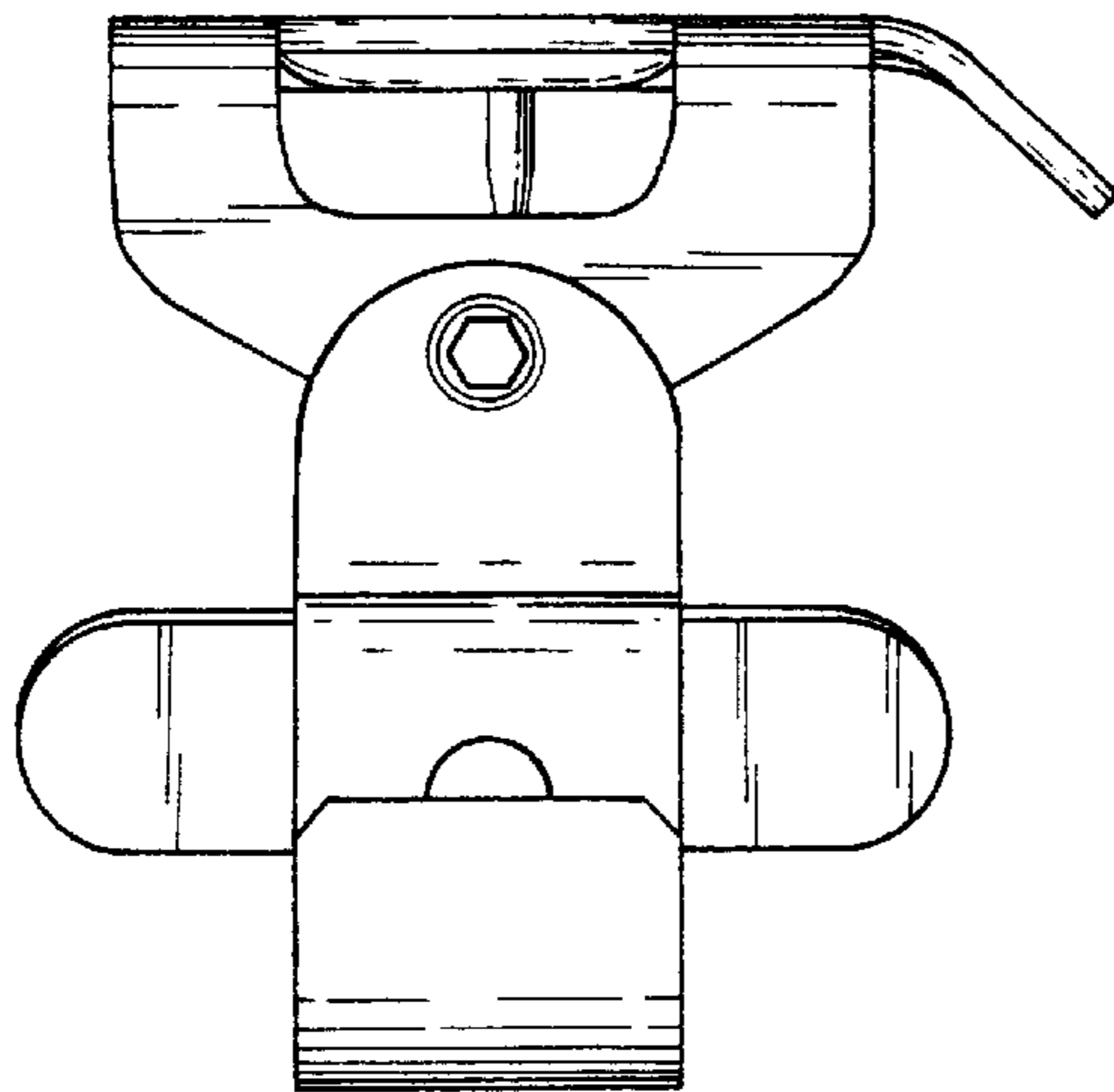


FIG 7

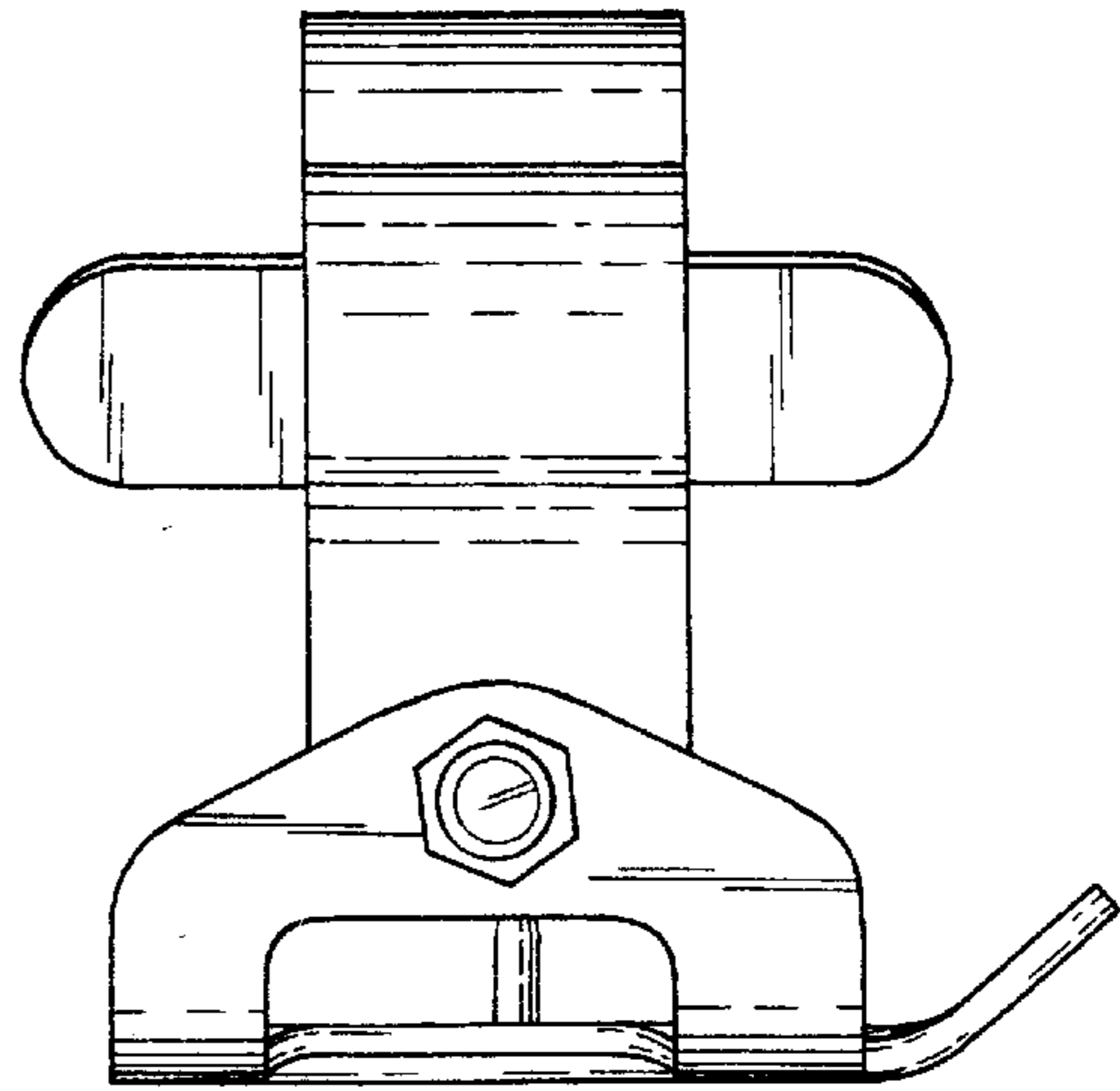


FIG 8

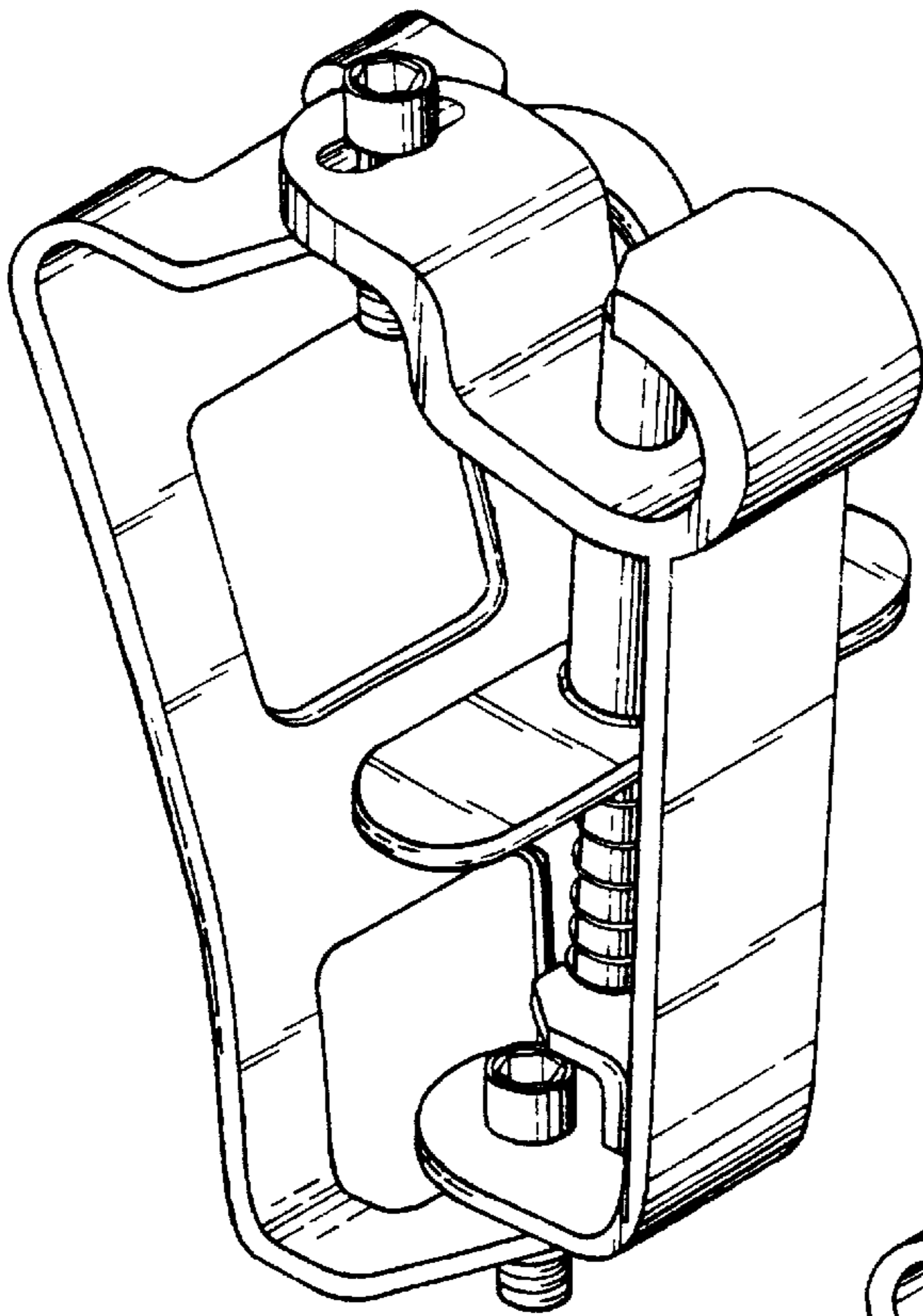


FIG 9

