



US00D470788S

(12) **United States Design Patent**
Friess

(10) **Patent No.:** **US D470,788 S**

(45) **Date of Patent:** **** Feb. 25, 2003**

(54) **BASEBALL HELMET BELL**

(76) Inventor: **Harvey A. Friess**, W188 N9325 Maple Rd., Menomonee Falls, WI (US) 53051

(**) Term: **14 Years**

(21) Appl. No.: **29/153,977**

(22) Filed: **Jan. 14, 2002**

(51) **LOC (7) Cl.** **10-05**

(52) **U.S. Cl.** **D10/116**

(58) **Field of Search** D10/116; 116/148, 116/150, 167, 173, 175

(56) **References Cited**

U.S. PATENT DOCUMENTS

D369,985 S * 5/1996 Kohler D10/116
D408,313 S * 4/1999 Friess D10/116

* cited by examiner

Primary Examiner—Antoine Duval Davis
(74) *Attorney, Agent, or Firm*—Ryan Kromholz & Manion, S.C.

(57) **CLAIM**

The ornamental design for a baseball helmet bell, as shown and described.

DESCRIPTION

FIG. 1 is a left side elevational view of the baseball helmet bell of my design.

FIG. 2 is a right side elevational view of the baseball helmet bell.

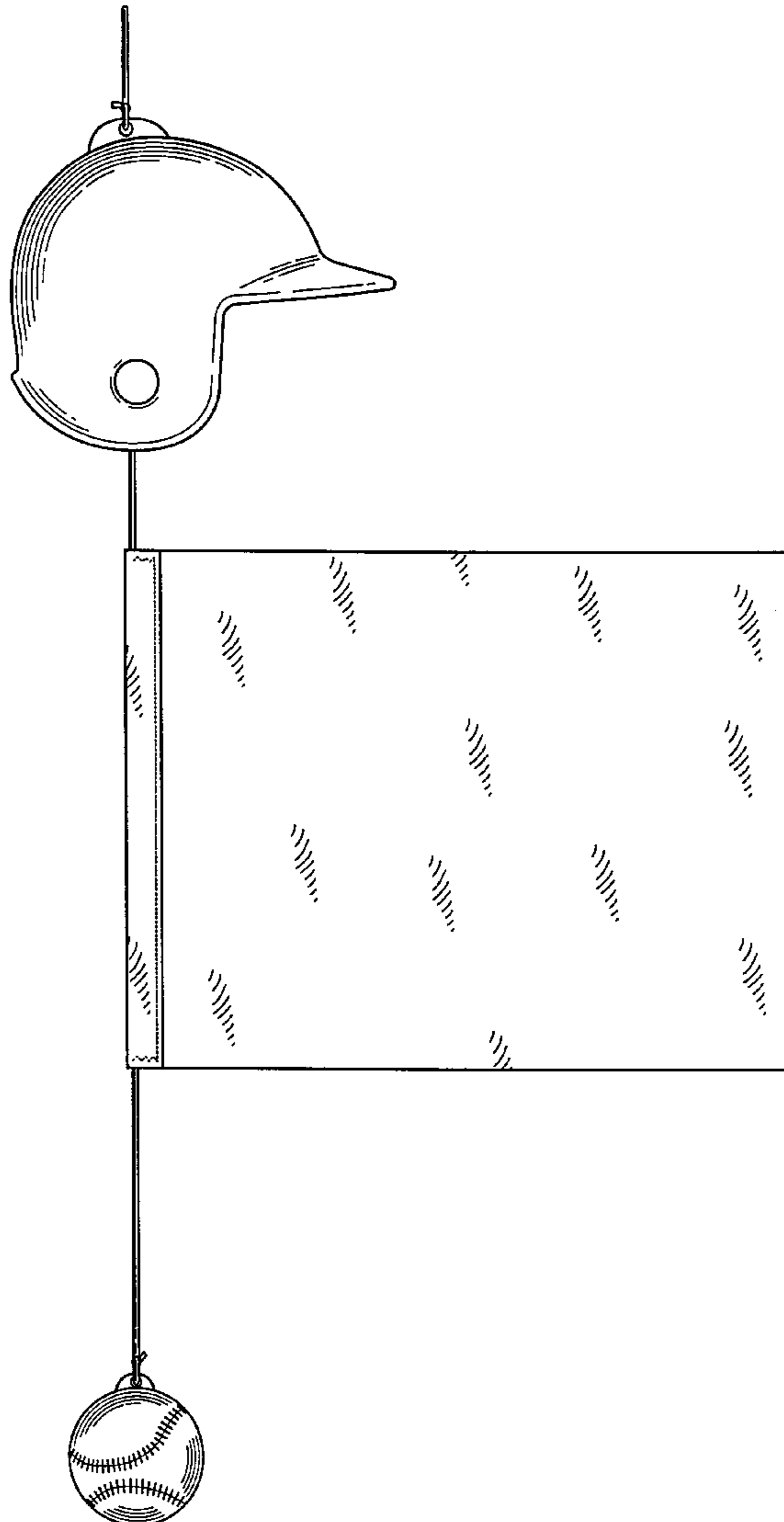
FIG. 3 is a top plan view of the baseball helmet bell.

FIG. 4 is a bottom plan view of the baseball helmet bell.

FIG. 5 is a front elevational view of the baseball helmet bell; and,

FIG. 6 is a rear elevational view of the baseball helmet bell.

1 Claim, 4 Drawing Sheets



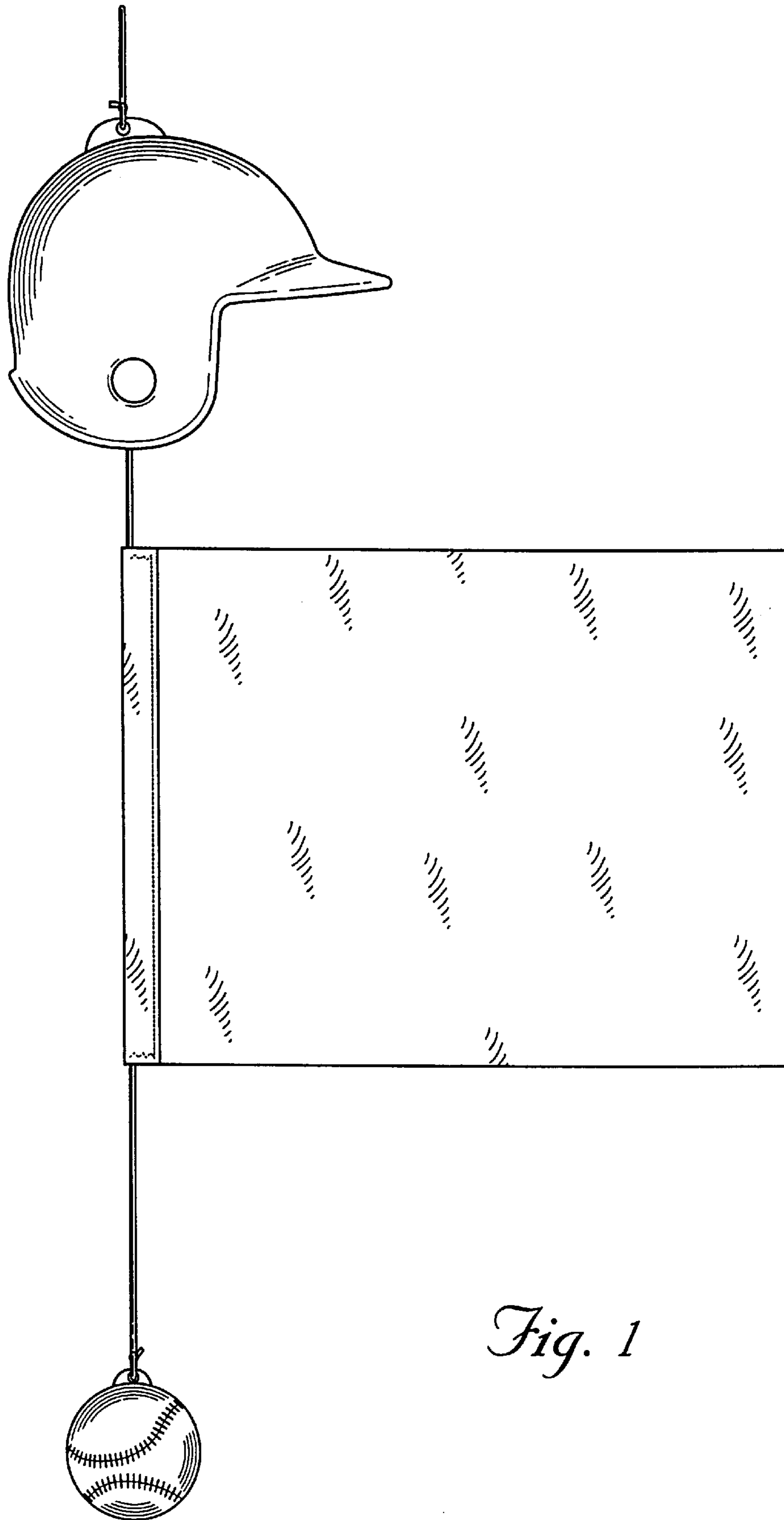


Fig. 1

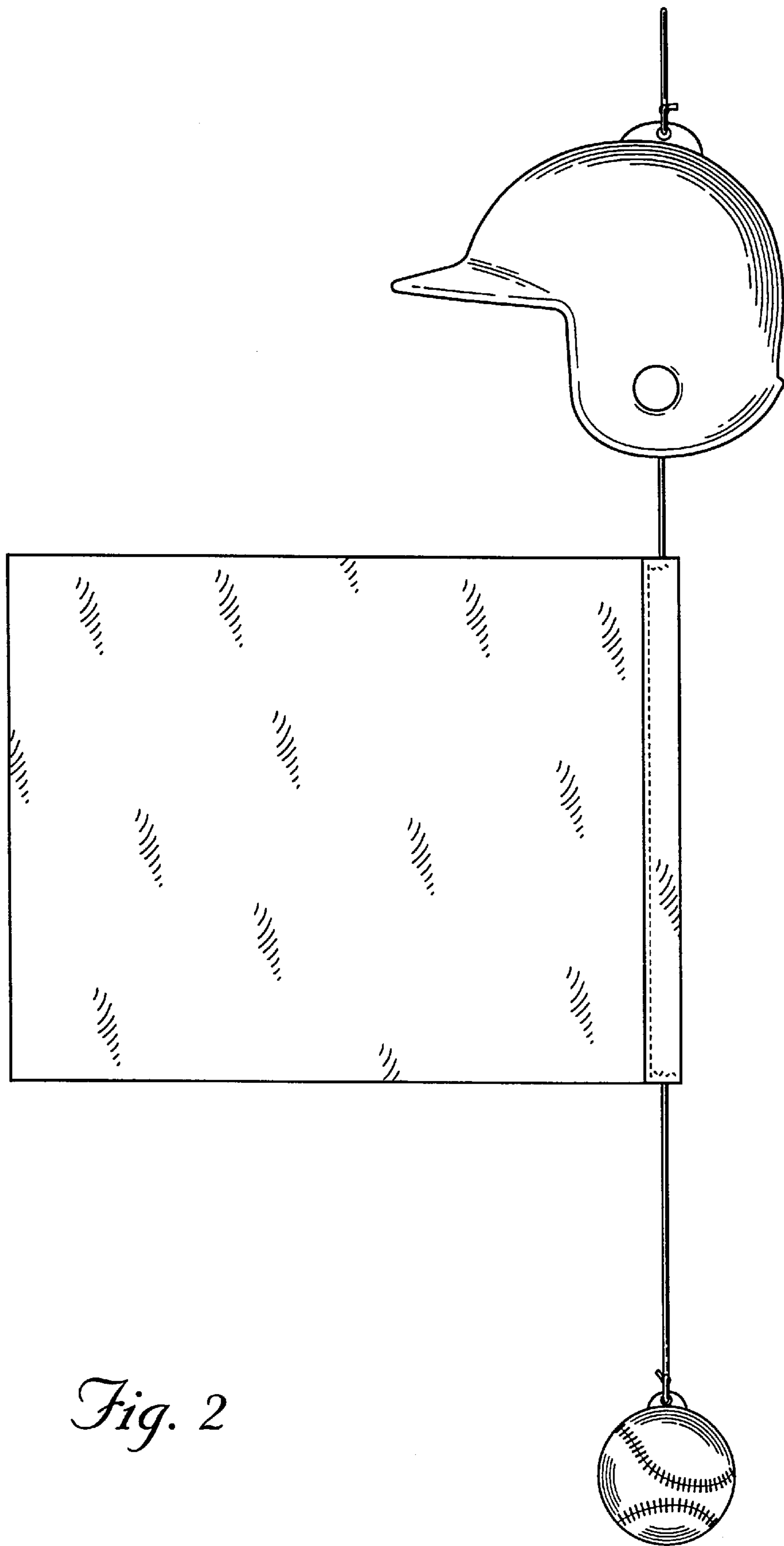


Fig. 2

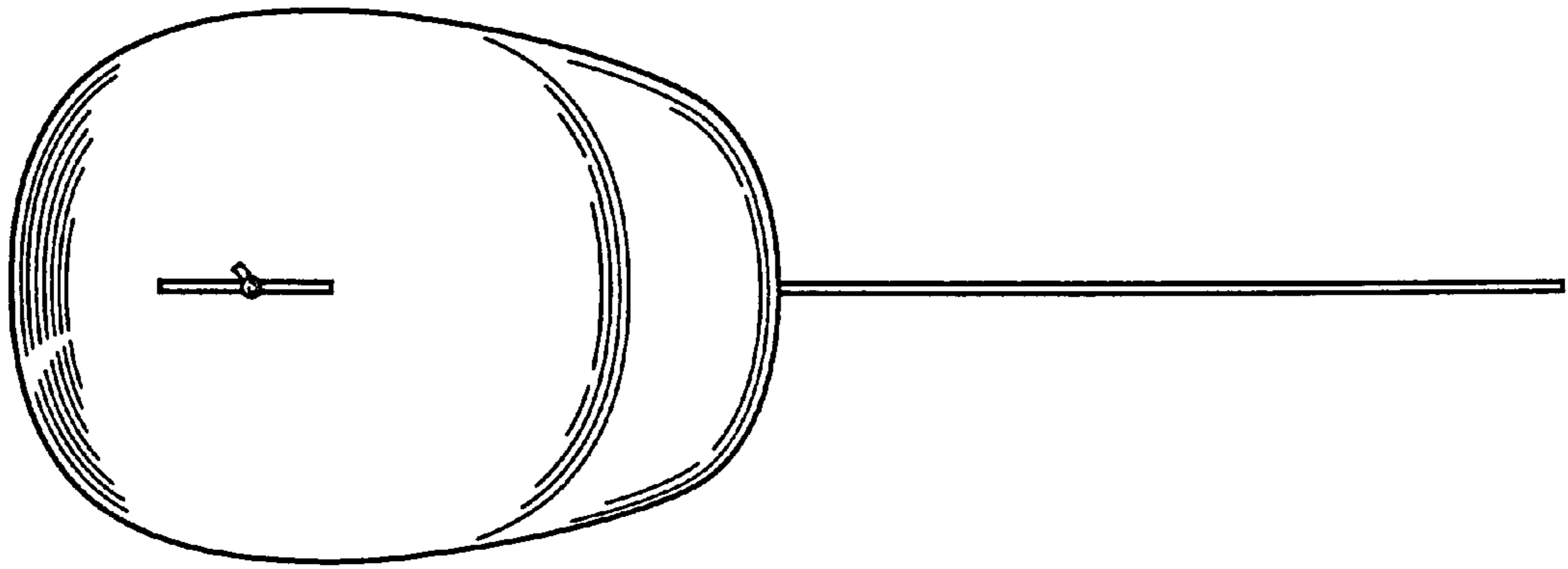


Fig. 3

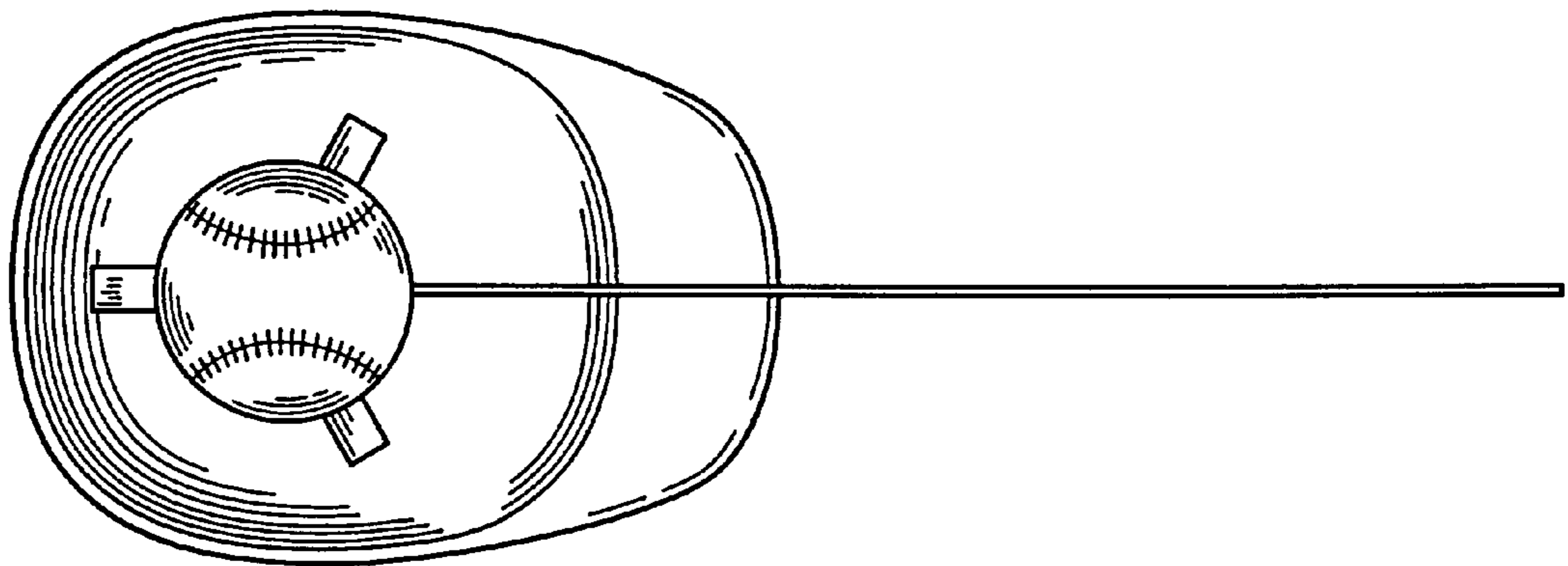


Fig. 4

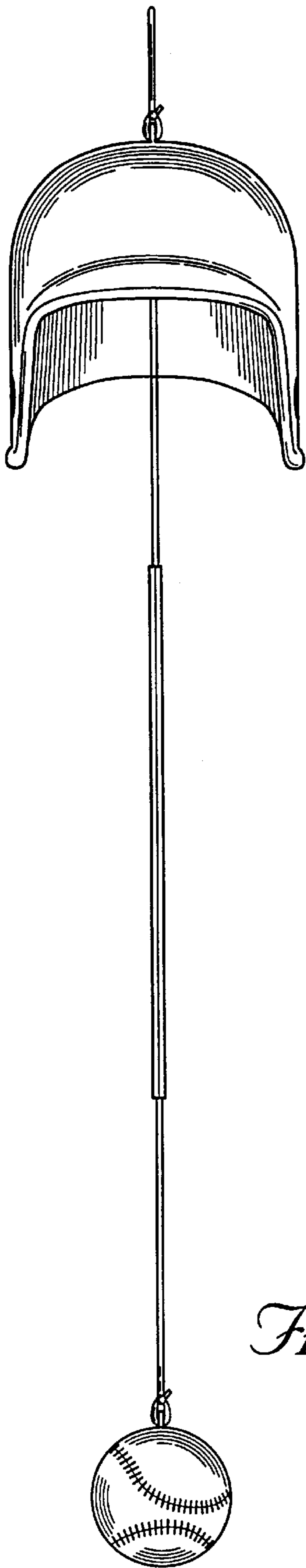


Fig. 5

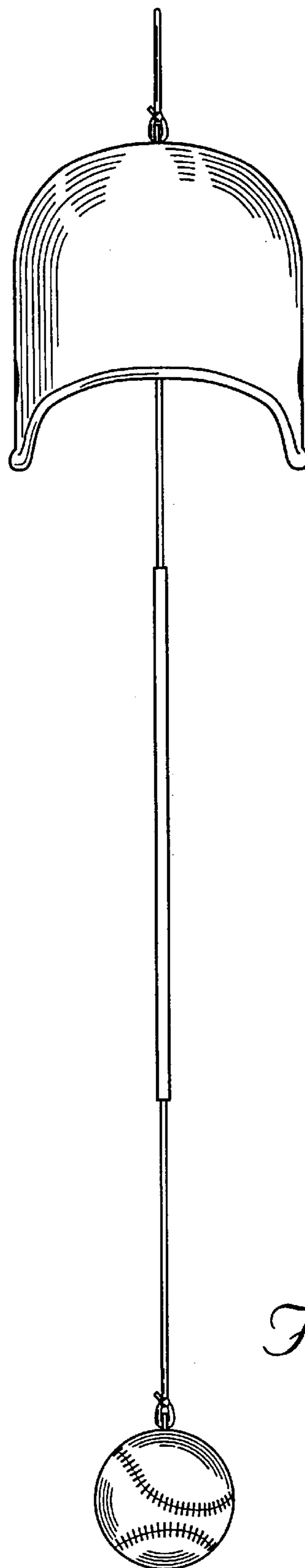


Fig. 6