



US00D470787S

(12) **United States Design Patent**
Kim

(10) **Patent No.:** **US D470,787 S**

(45) **Date of Patent:** **** Feb. 25, 2003**

(54) **PAVEMENT MARKER**

(76) Inventor: **Kwung-Chul Kim**, 109-403 Narae
Apt., 564 Samsung-ri, Junae-myeon,
Yangju-kun 482-820 Kyeonggi-do (KR)

(**) Term: **14 Years**

(21) Appl. No.: **29/156,642**

(22) Filed: **Mar. 6, 2002**

(51) **LOC (7) Cl.** **10-05**

(52) **U.S. Cl.** **D10/113**

(58) **Field of Search** D10/113; 404/12,
404/14, 15, 16

(56) **References Cited**

U.S. PATENT DOCUMENTS

5,984,570 A	*	11/1999	Parushar	404/14
D422,523 S	*	4/2000	Weid	D10/113
6,264,860 B1	*	7/2001	Attar	404/16 X
6,334,734 B1	*	1/2002	Attar	404/16

* cited by examiner

Primary Examiner—Antoine Duval Davis
(74) *Attorney, Agent, or Firm*—Foley & Lardner

(57) **CLAIM**

The ornamental design for a pavement marker, as shown and described.

DESCRIPTION

FIG. 1 is a front perspective view of the pavement marker taken from the front, right side and above; FIG. 2 is a front view of the pavement marker; FIG. 3 is a rear view of the pavement marker; FIG. 4 is a top view of the pavement marker; FIG. 5 is a bottom view of the pavement marker; FIG. 6 is a left side view of the pavement marker; FIG. 7 is a right side view of the pavement marker; and, FIG. 8 is a bottom perspective view of the pavement marker. The broken line showing is for illustrative purposes only and forms no part of the claimed design.

1 Claim, 4 Drawing Sheets

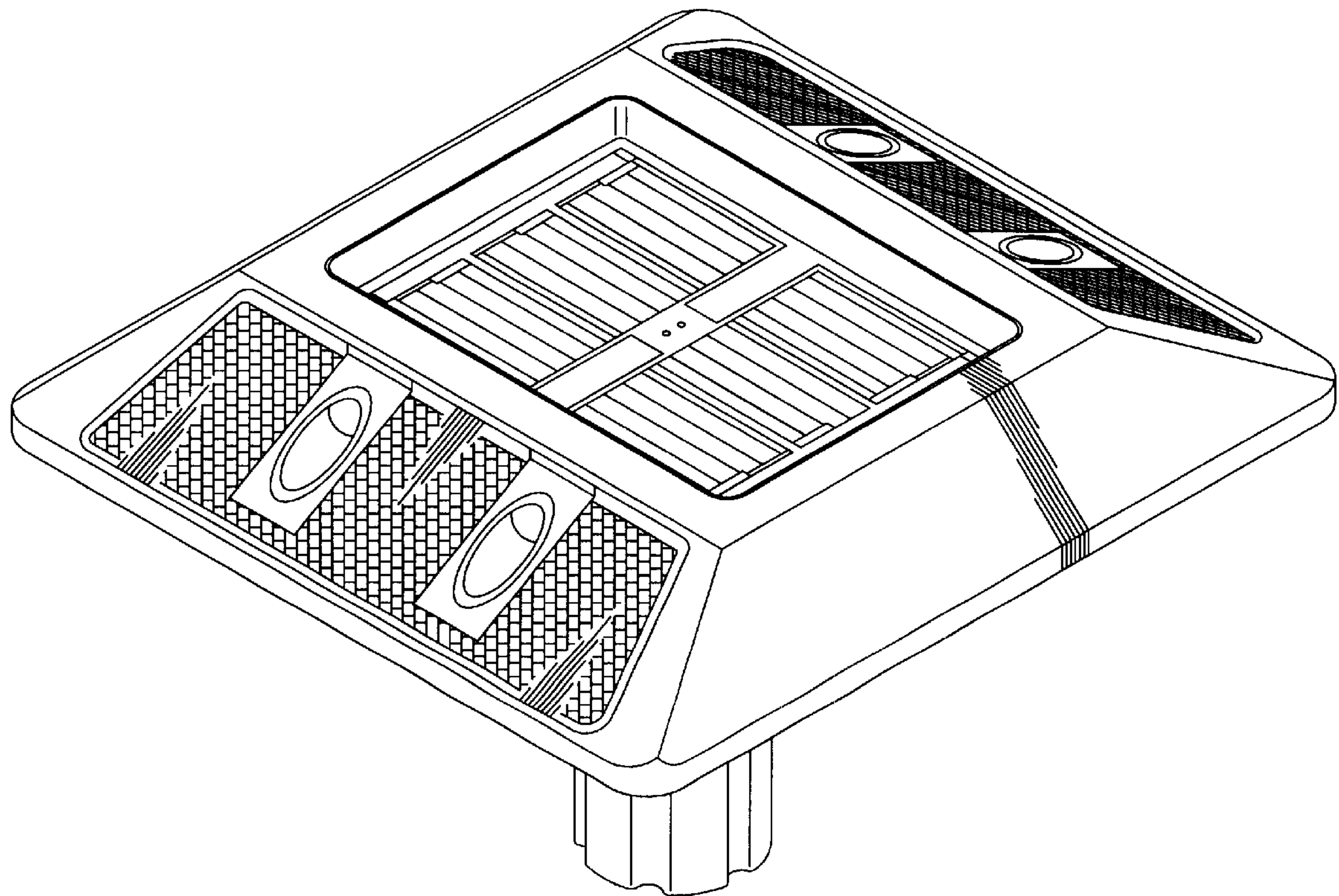


FIG. 1

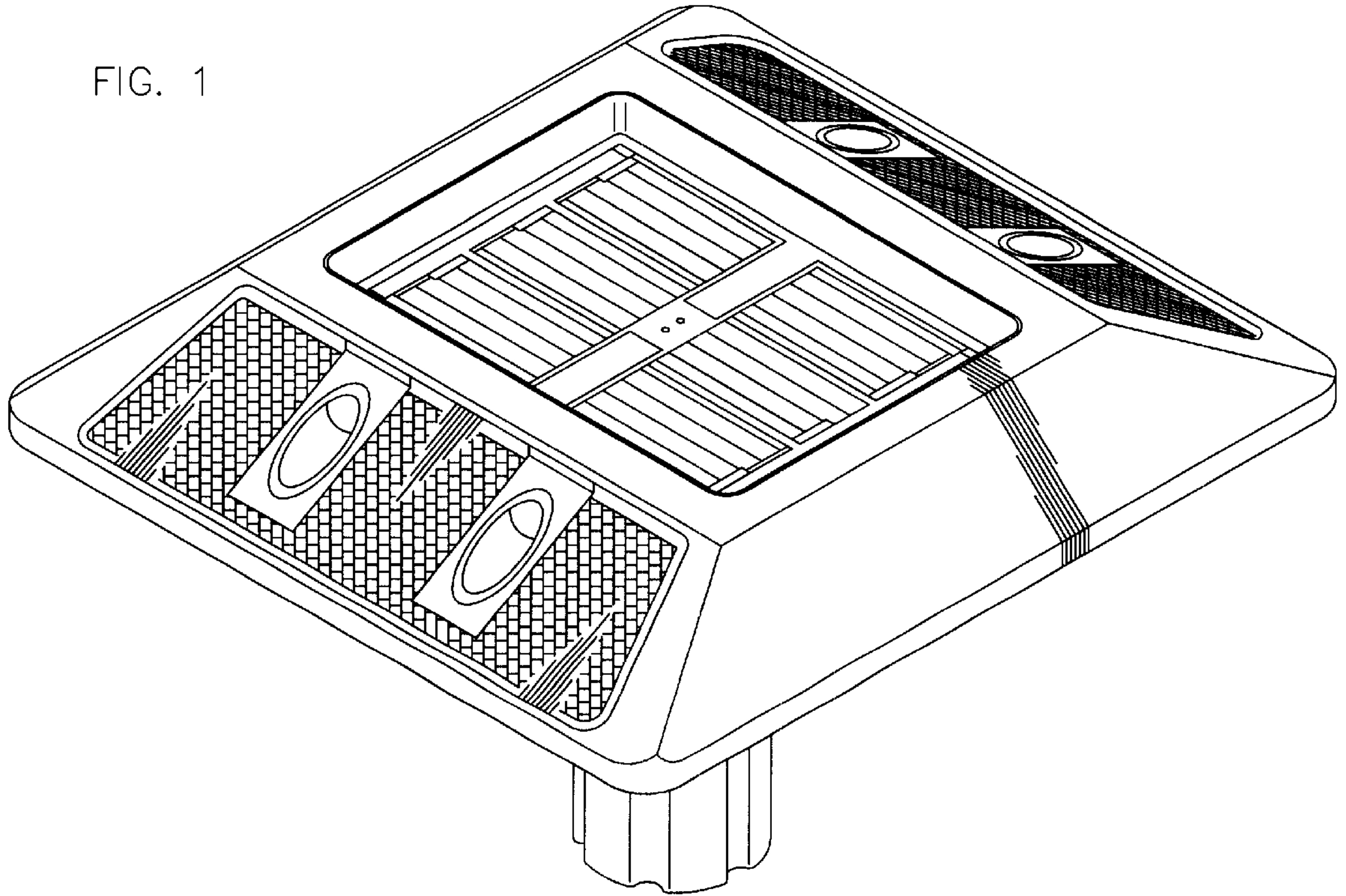
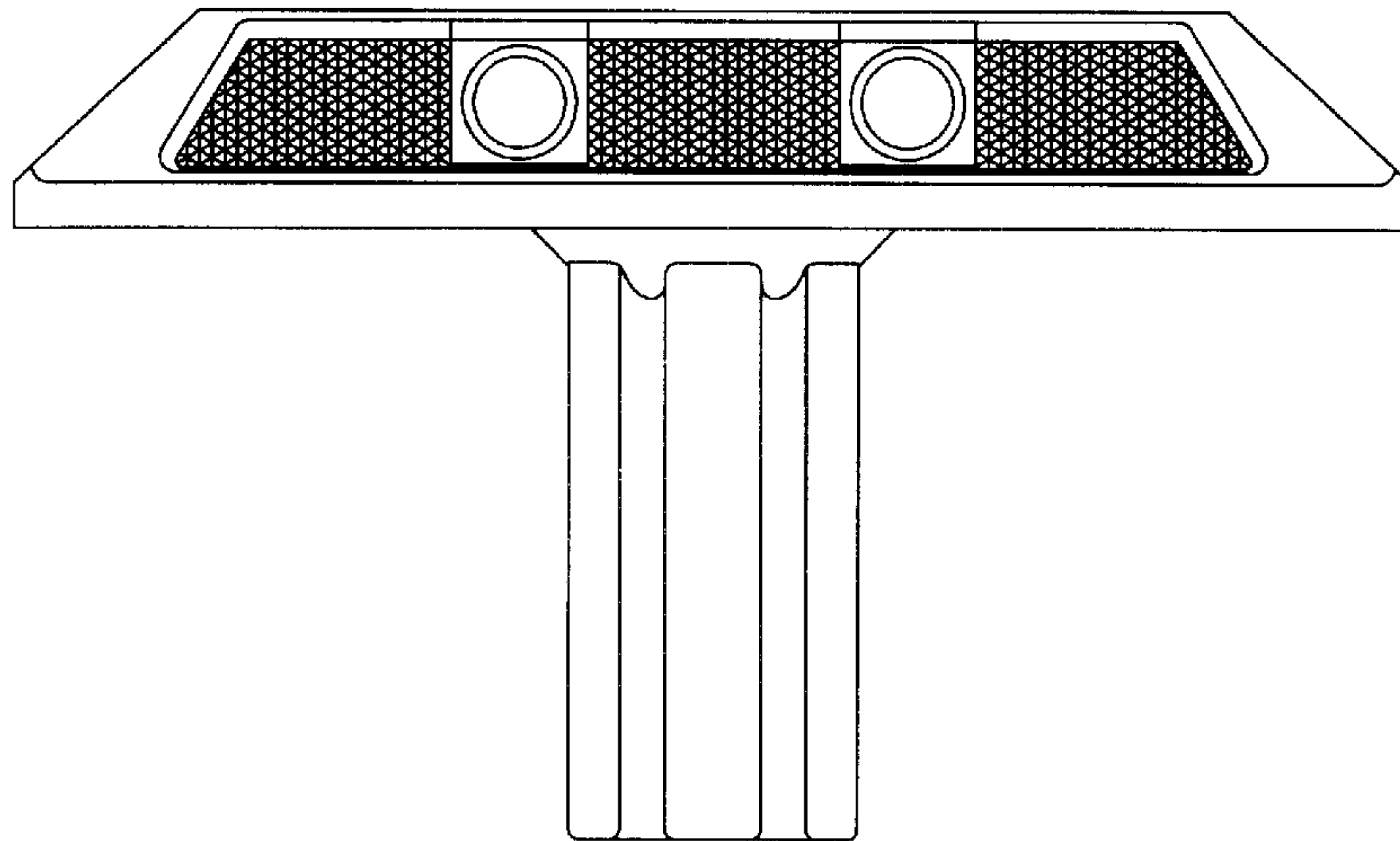


FIG. 2



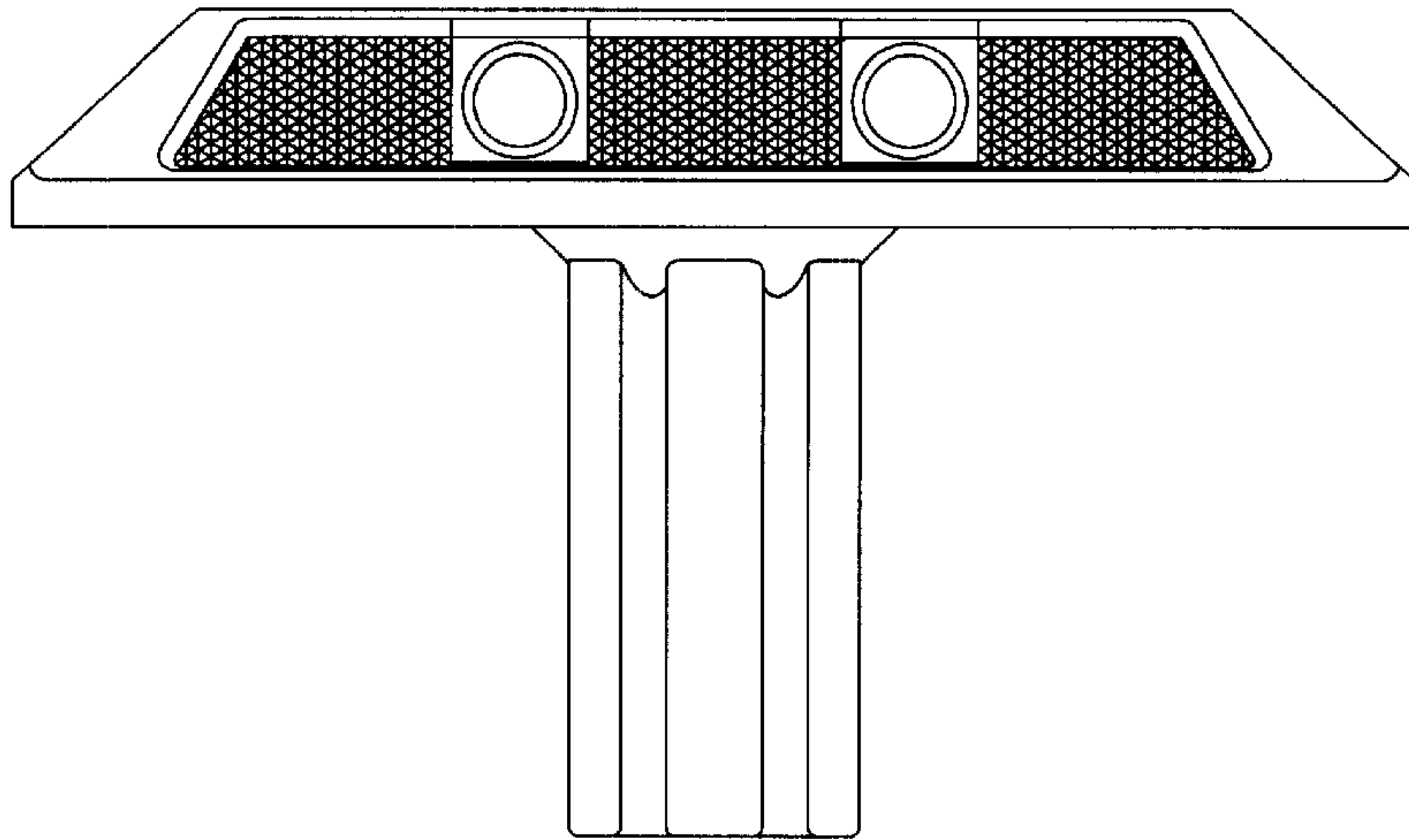


FIG. 3

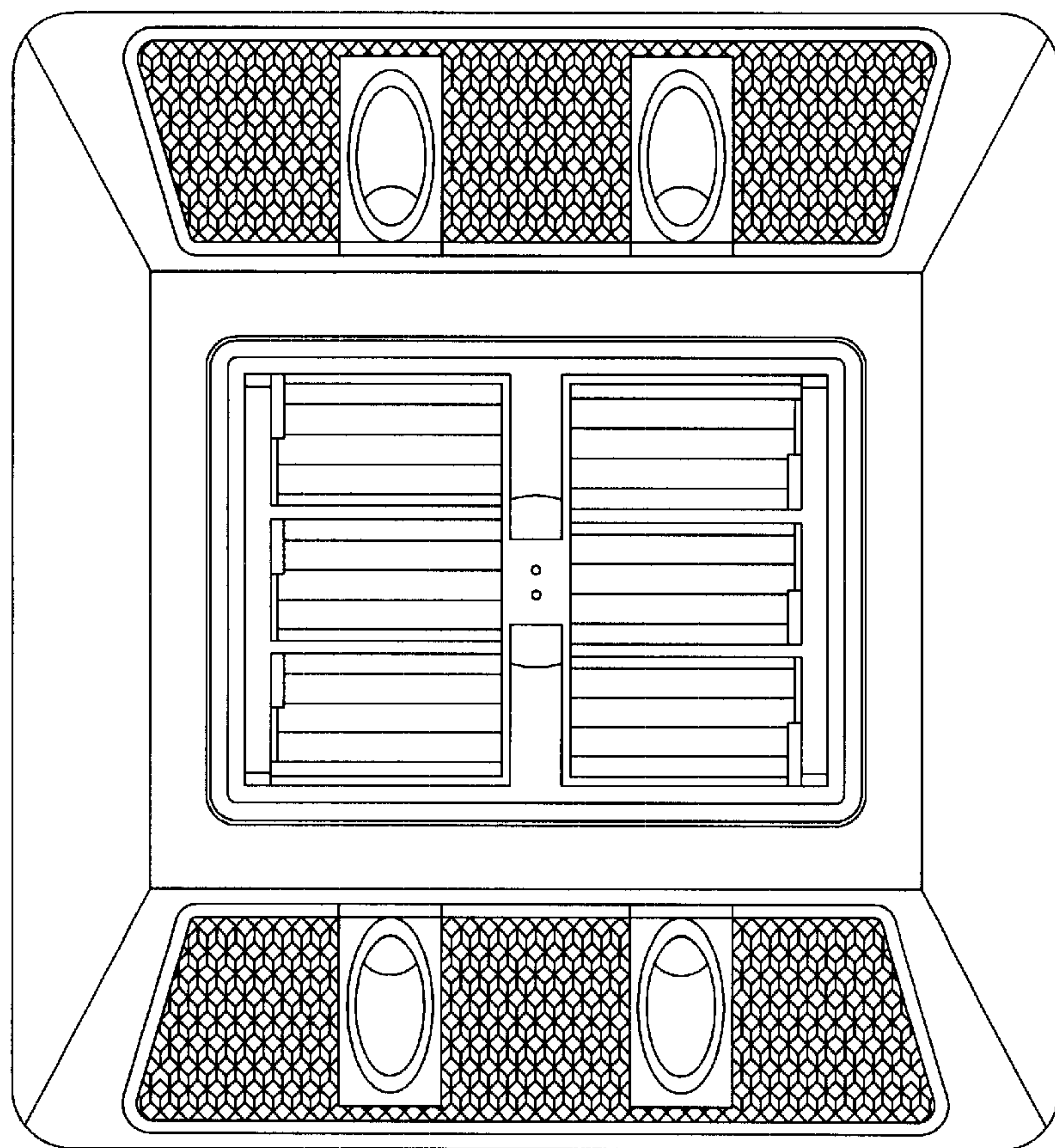


FIG. 4

FIG. 5

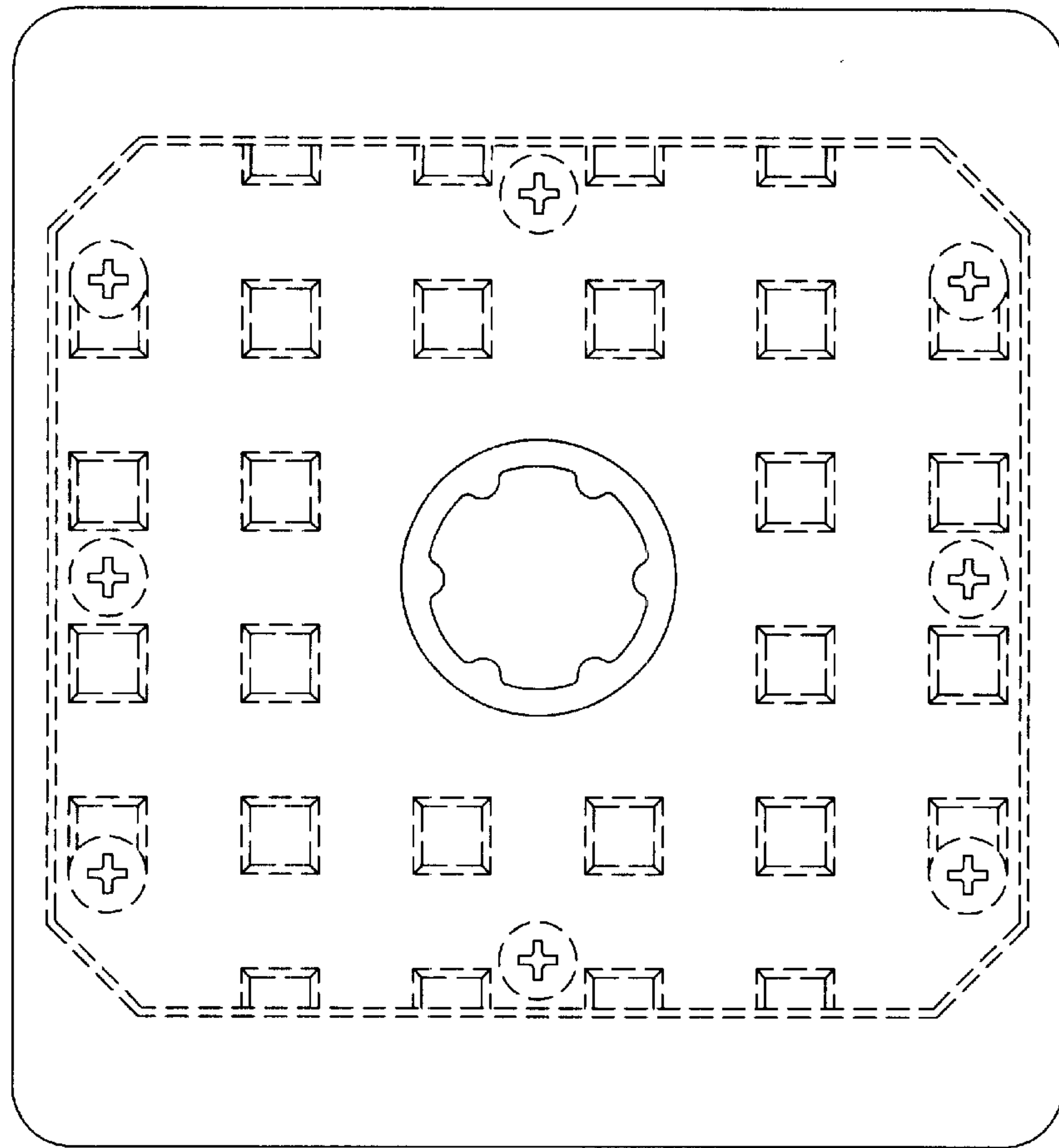
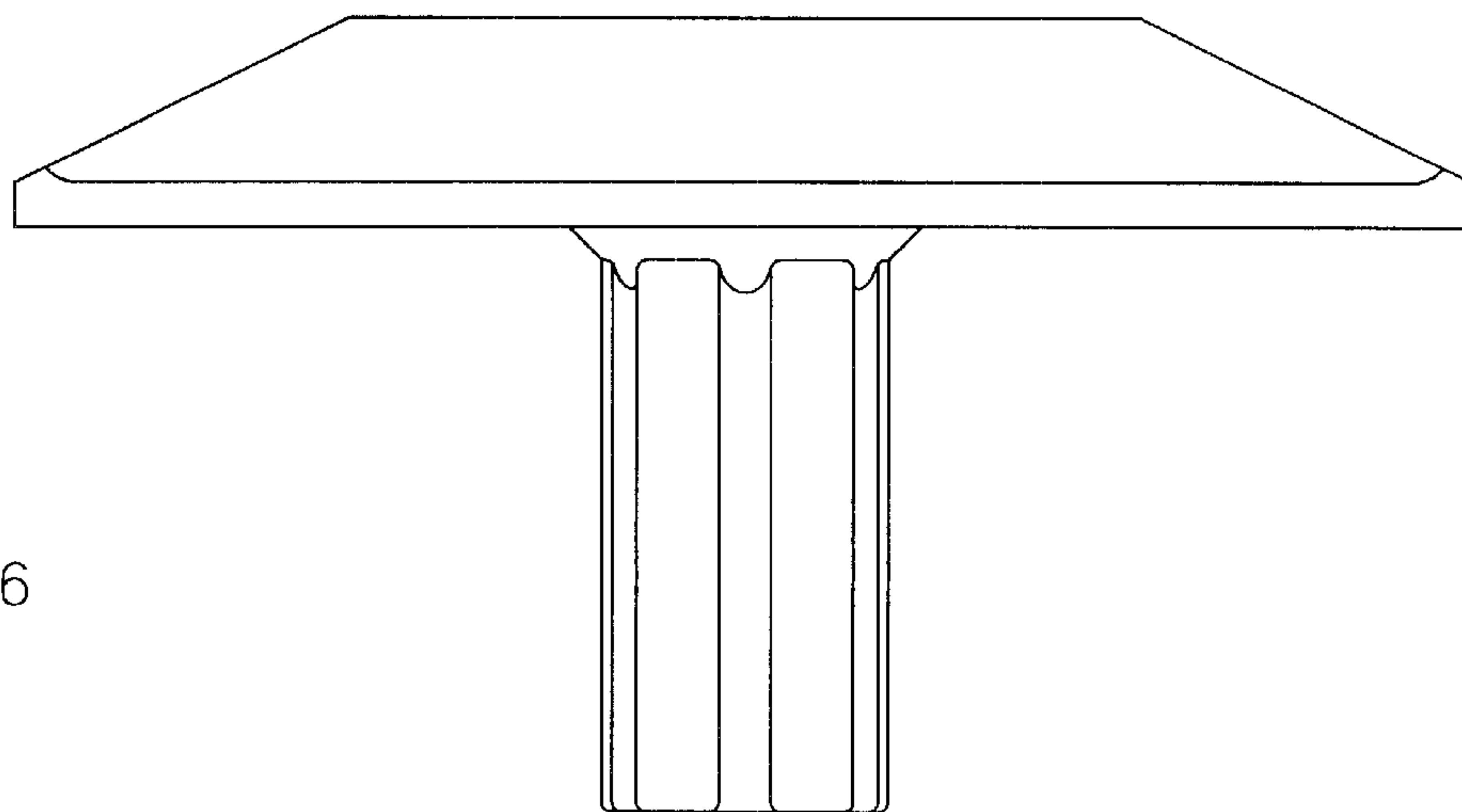


FIG. 6



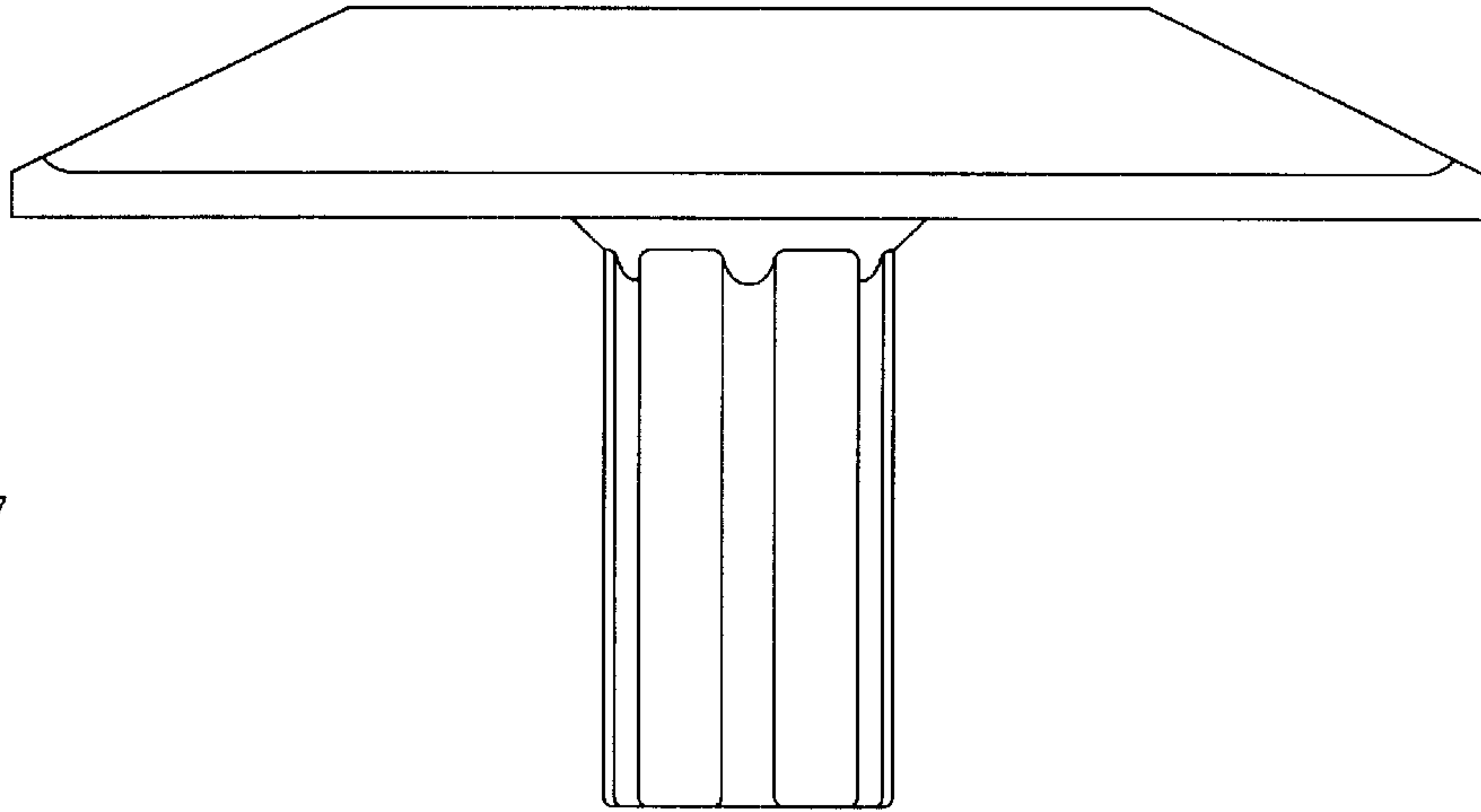


FIG. 7

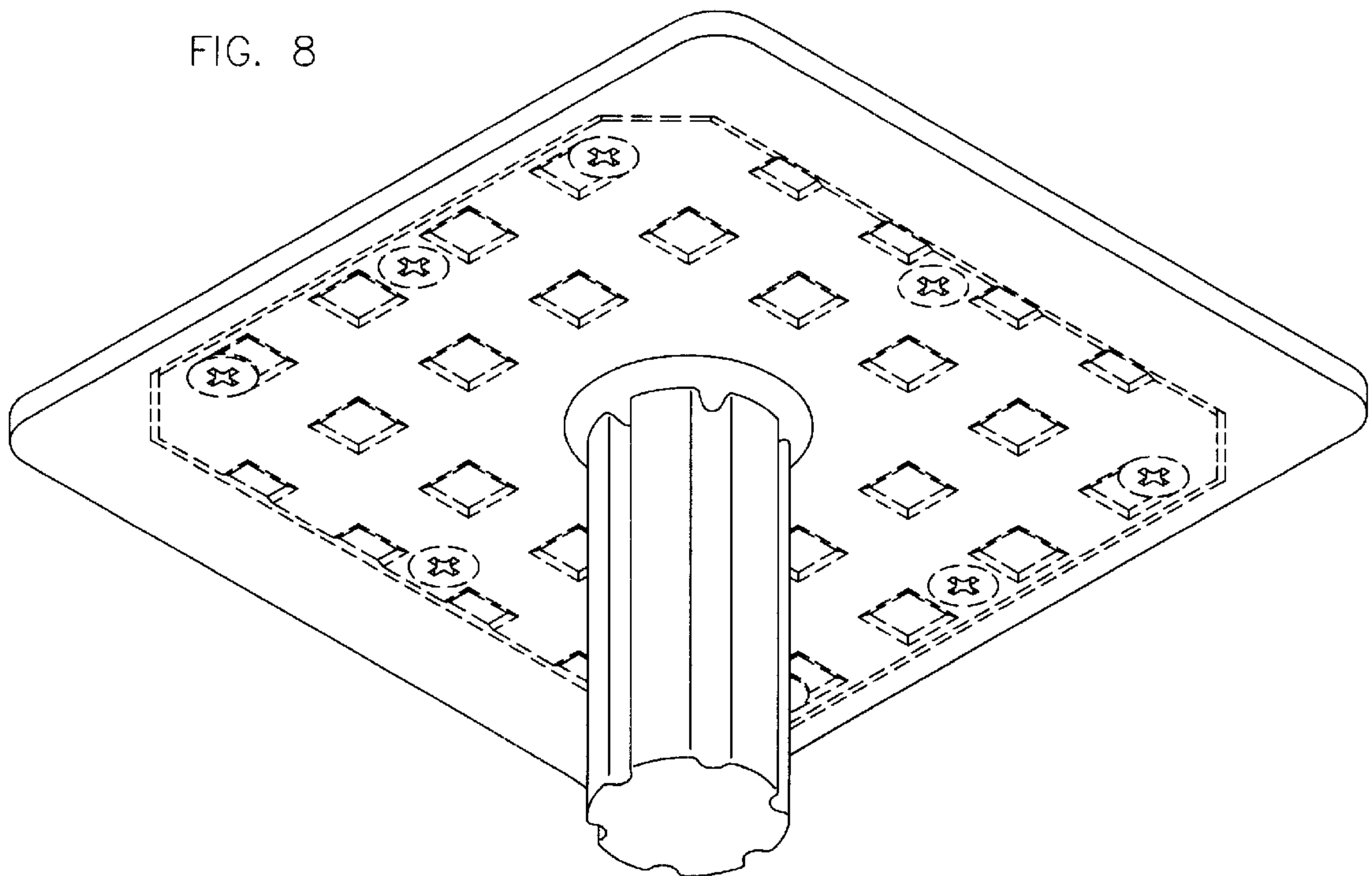


FIG. 8