



US00D470780S

(12) **United States Design Patent**
Hsieh

(10) **Patent No.:** **US D470,780 S**

(45) **Date of Patent:** **** Feb. 25, 2003**

(54) **CALIPER PEN**

Primary Examiner—Antoine Duval Davis

(76) **Inventor:** **Pei Chun Hsieh**, 12F, No. 218, Chung Cheng S. Road, San Chung, Taipei Hsien 241, Taiwan, Taipei (TW), 241

(57) **CLAIM**

The ornamental design for a caliper pen, as shown and described.

(**) **Term:** **14 Years**

DESCRIPTION

(21) **Appl. No.:** **29/163,938**

FIG. 1 is a perspective view of a caliper pen showing my new design;

(22) **Filed:** **Jul. 16, 2002**

FIG. 2 is a front view of the design;

(51) **LOC (7) Cl.** **10-04**

FIG. 3 is a rear view of the design;

(52) **U.S. Cl.** **D10/73**

FIG. 4 is a left side view of the design;

(58) **Field of Search** D10/73; 33/783-832, 33/DIG. 12, 27.02, 558.01, 558.1

FIG. 5 is a right side view of the design;

(56) **References Cited**

FIG. 6 is a top view of the design; and,

U.S. PATENT DOCUMENTS

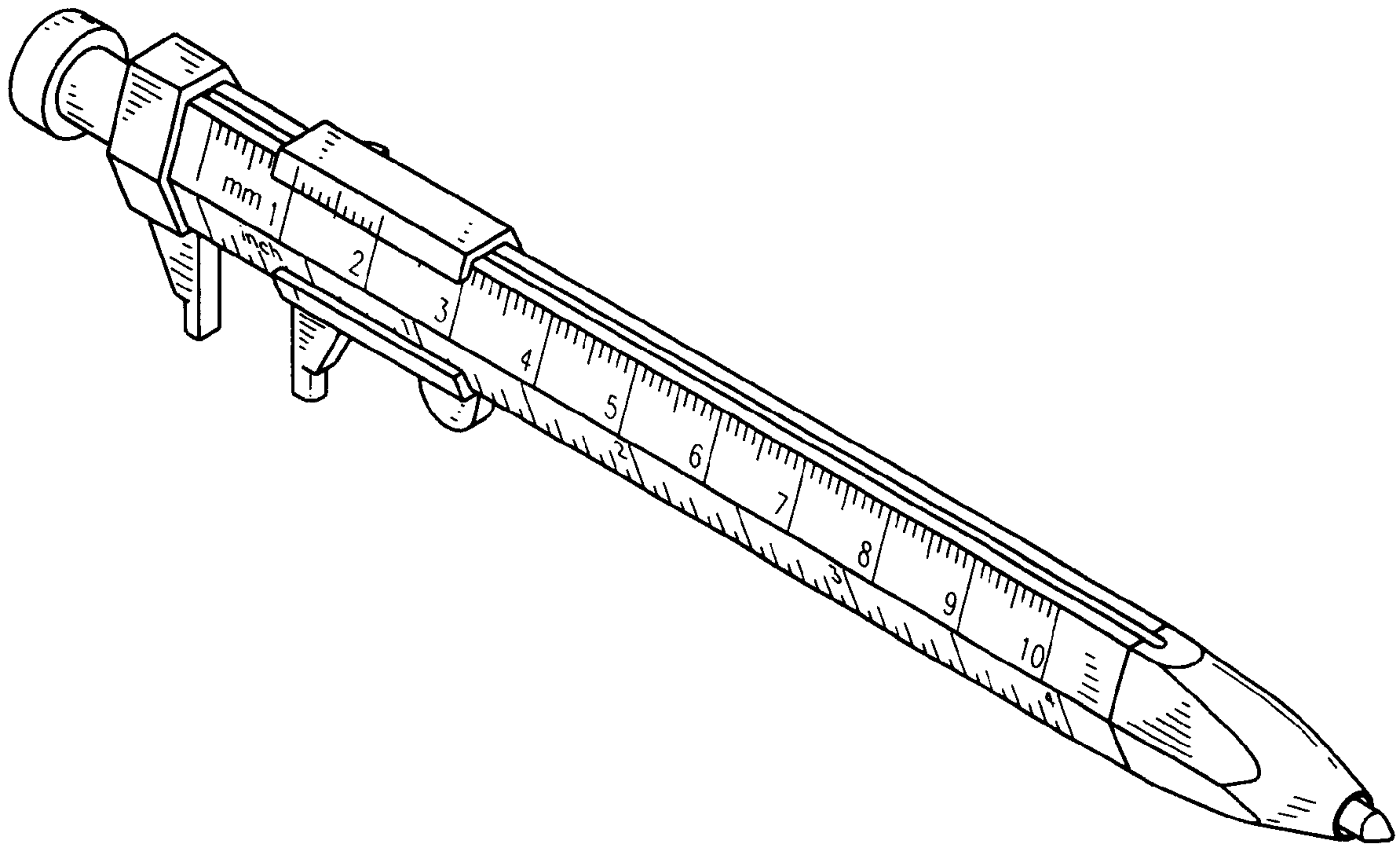
FIG. 7 is a bottom view of the design.

D329,252 S * 9/1992 Mackin D10/73 X

D377,616 S * 1/1997 Mackin D10/73

* cited by examiner

1 Claim, 3 Drawing Sheets



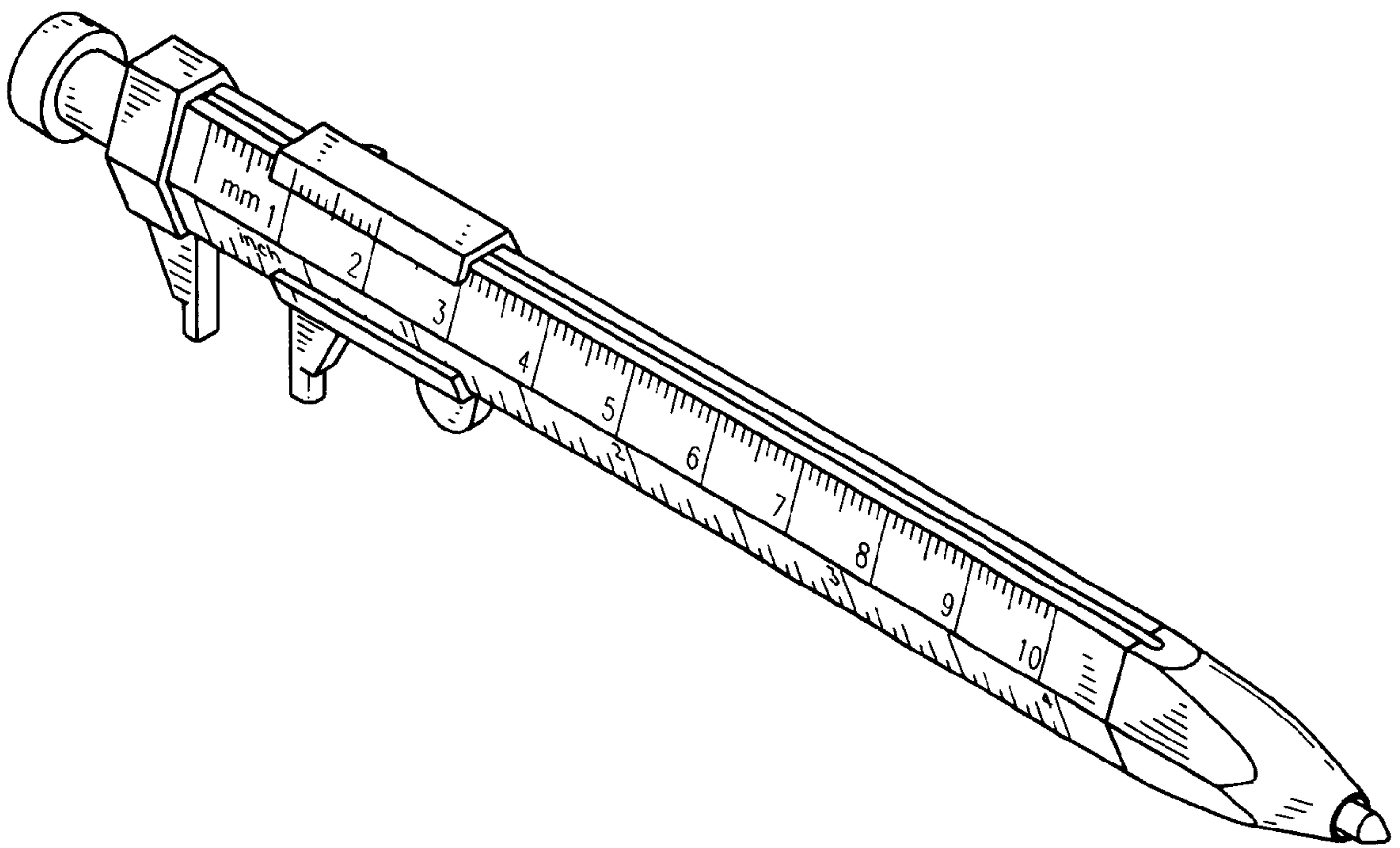


FIG. 1

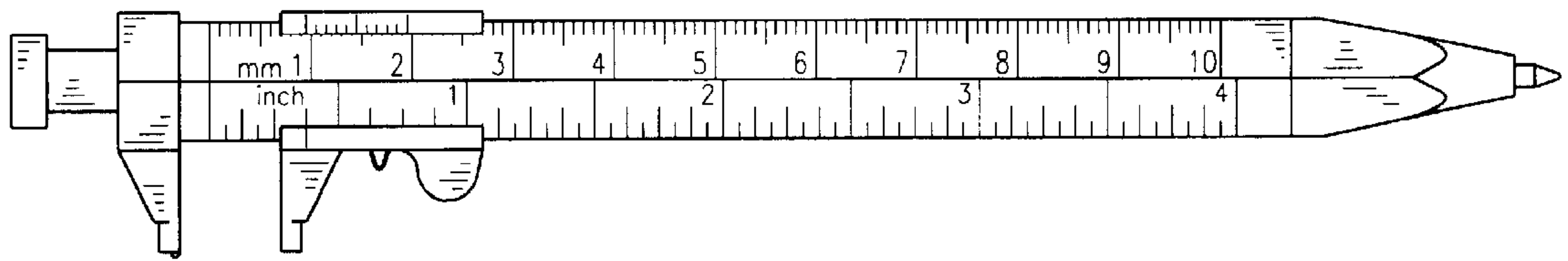


FIG. 2

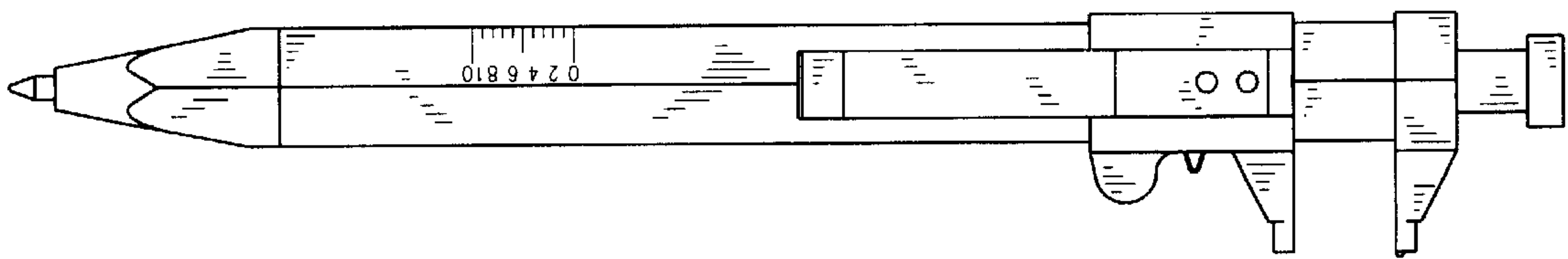


FIG. 3

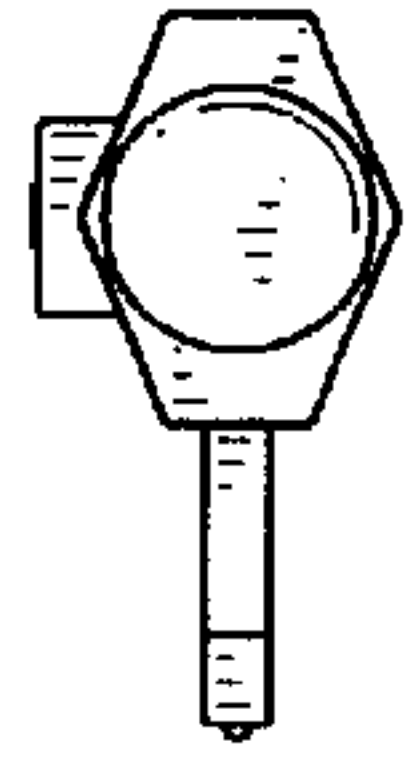


FIG. 4

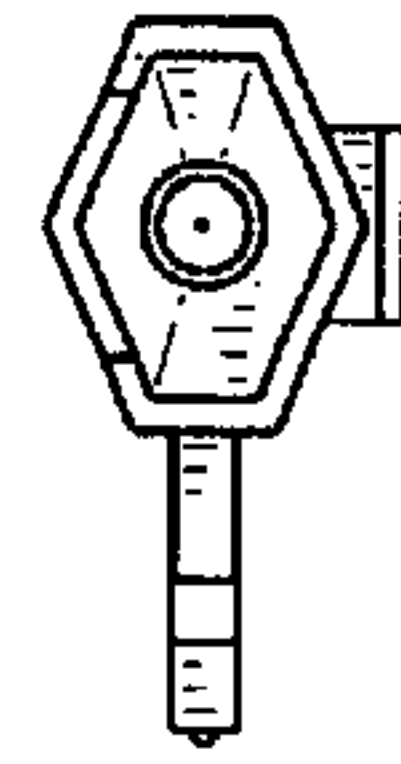


FIG. 5

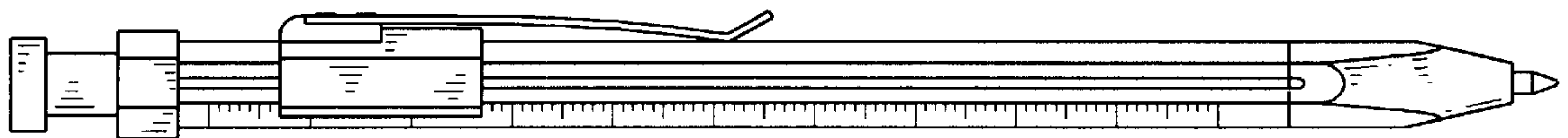


FIG. 6

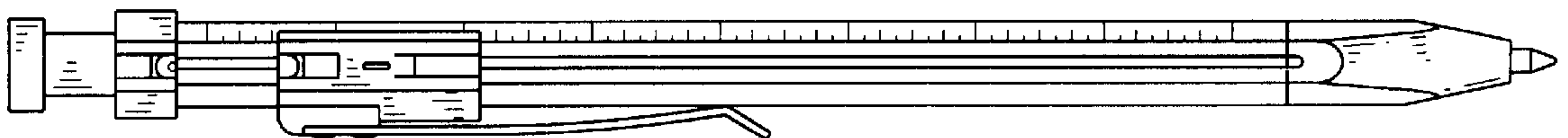


FIG. 7