



US00D470779S

(12) **United States Design Patent**
Chang

(10) **Patent No.:** **US D470,779 S**

(45) **Date of Patent:** **** Feb. 25, 2003**

(54) **MAGNETIC COMPASS**

(76) Inventor: **Gin-Sung Chang**, No. 15, Lane 385,
Kuang Ming Rd., Wu Jih Hsiang
Taichung Hsien (TW)

(**) Term: **14 Years**

(21) Appl. No.: **29/150,335**

(22) Filed: **Nov. 21, 2001**

(51) **LOC (7) Cl.** **10-04**

(52) **U.S. Cl.** **D10/68**

(58) **Field of Search** D10/68; 38/348,
38/355 D, 355 R, 361, 365

(56) **References Cited**

U.S. PATENT DOCUMENTS

D356,965 S * 4/1995 Chang D10/68 X

* cited by examiner

Primary Examiner—Antoine Duval Davis
(74) *Attorney, Agent, or Firm*—Browdy and Neimark,
P.L.L.C.

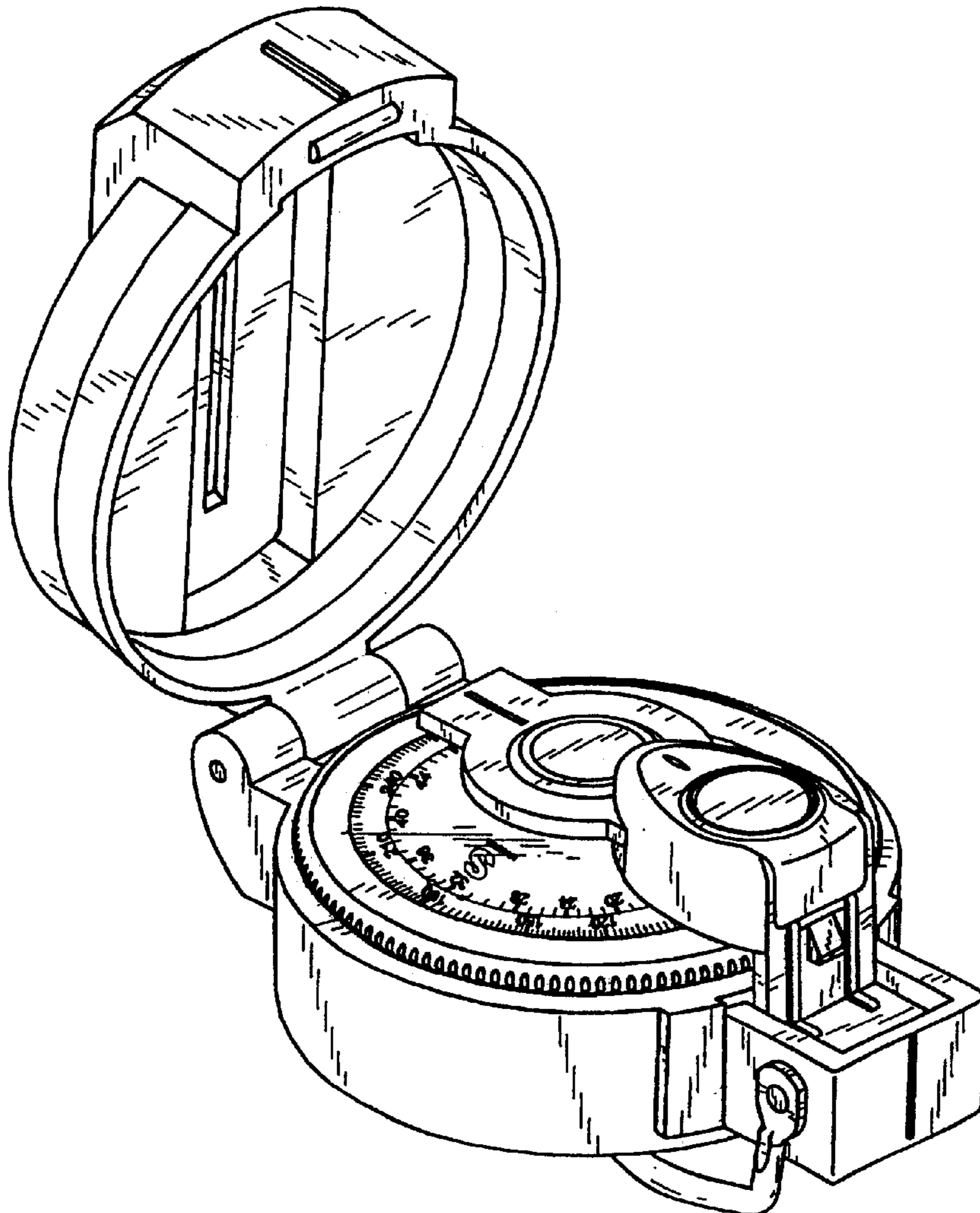
(57) **CLAIM**

The ornamental design for a “magnetic compass”, as shown.

DESCRIPTION

FIG. 1 shows a perspective view of the present design.
FIG. 2 shows a right side elevational view of the present design.
FIG. 3 shows a top plan view of the present design.
FIG. 4 shows a front elevational view of the present design.
FIG. 5 shows a bottom plan view of the present design.
FIG. 6 shows a left side elevational view of the present design.
FIG. 7 shows a rear elevational view of the present design;
and,
FIG. 8 shows a perspective view of present invention when the magnetic compass is in use.

1 Claim, 4 Drawing Sheets



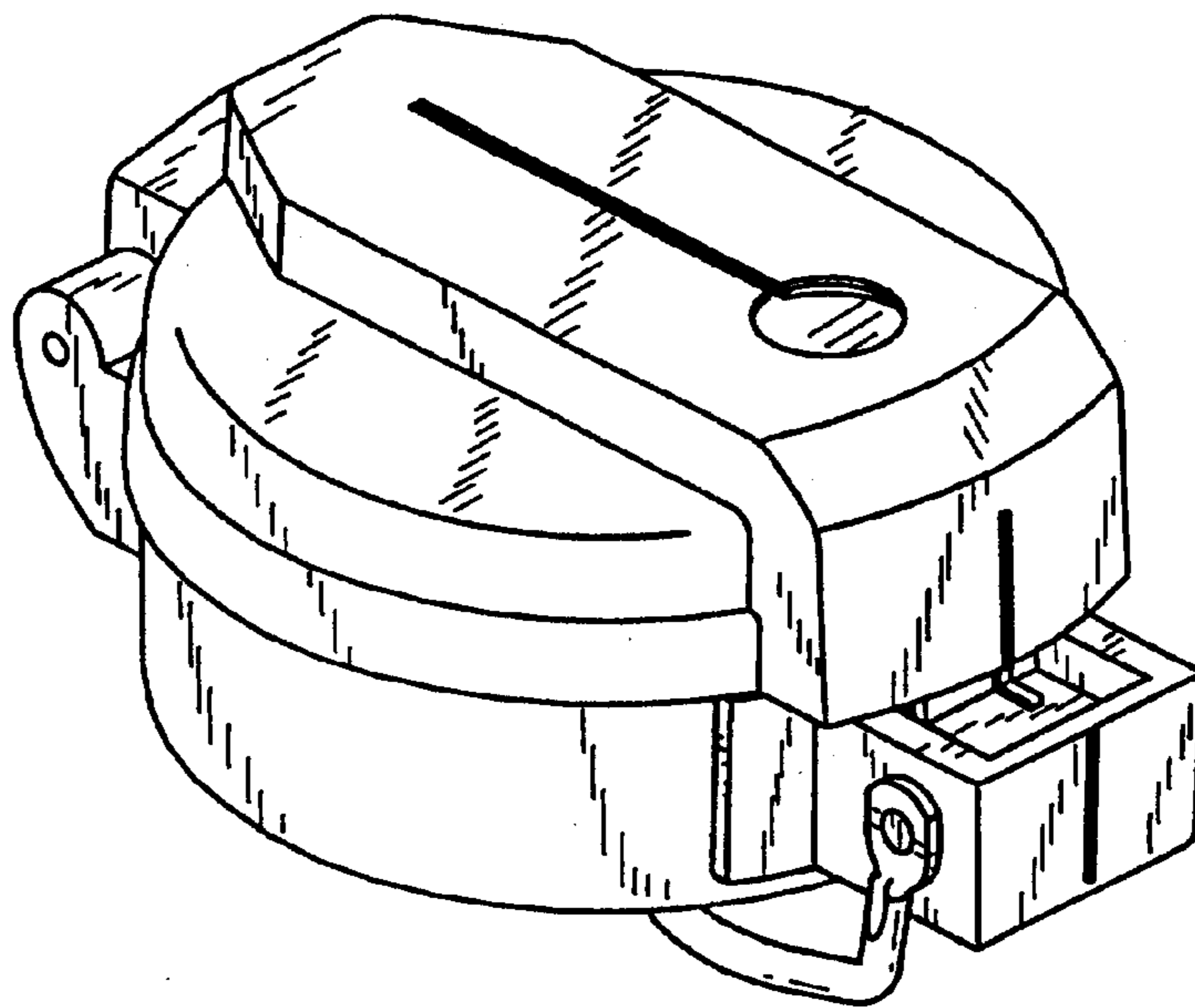


FIG. 1

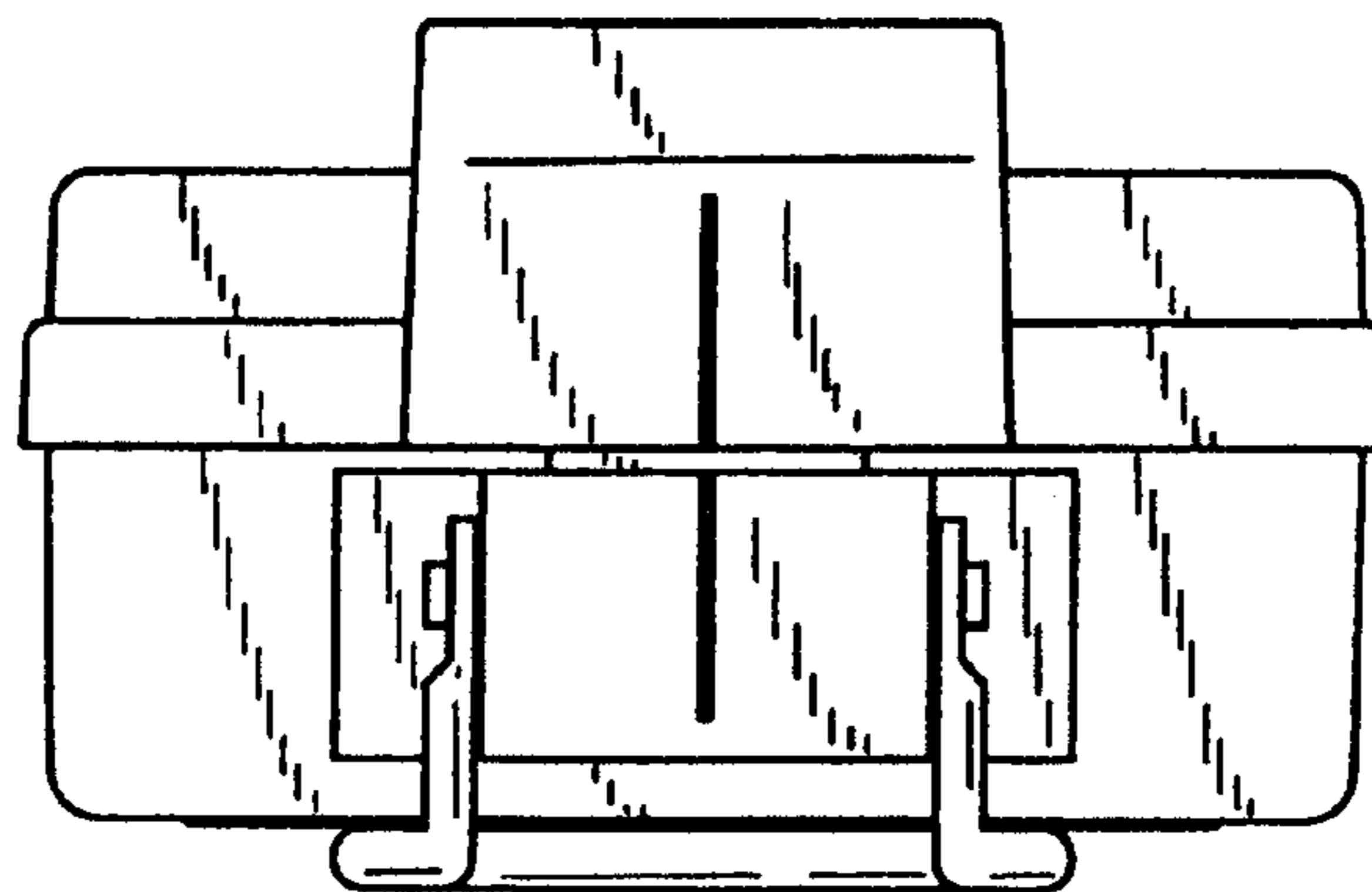


FIG. 2

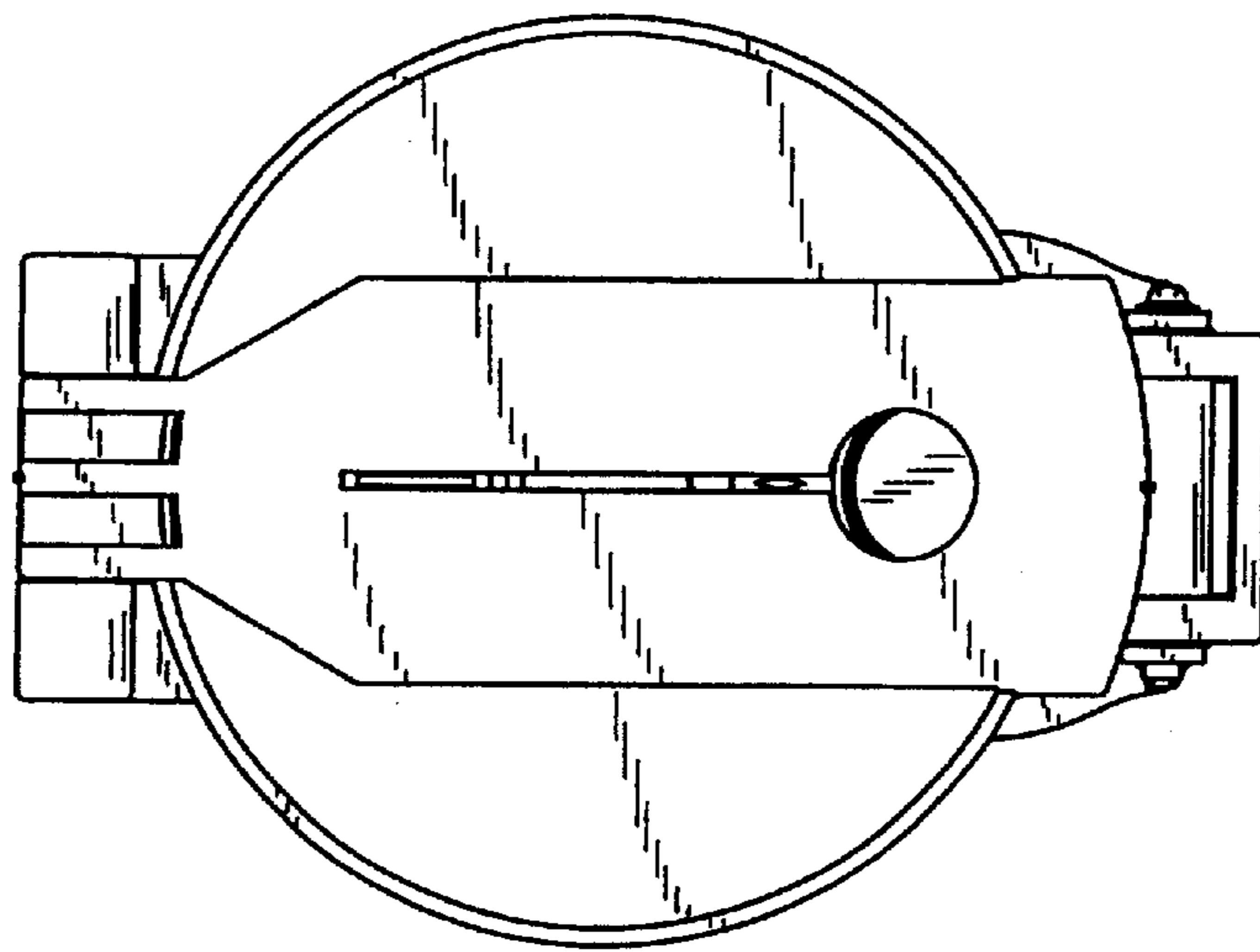


FIG. 3

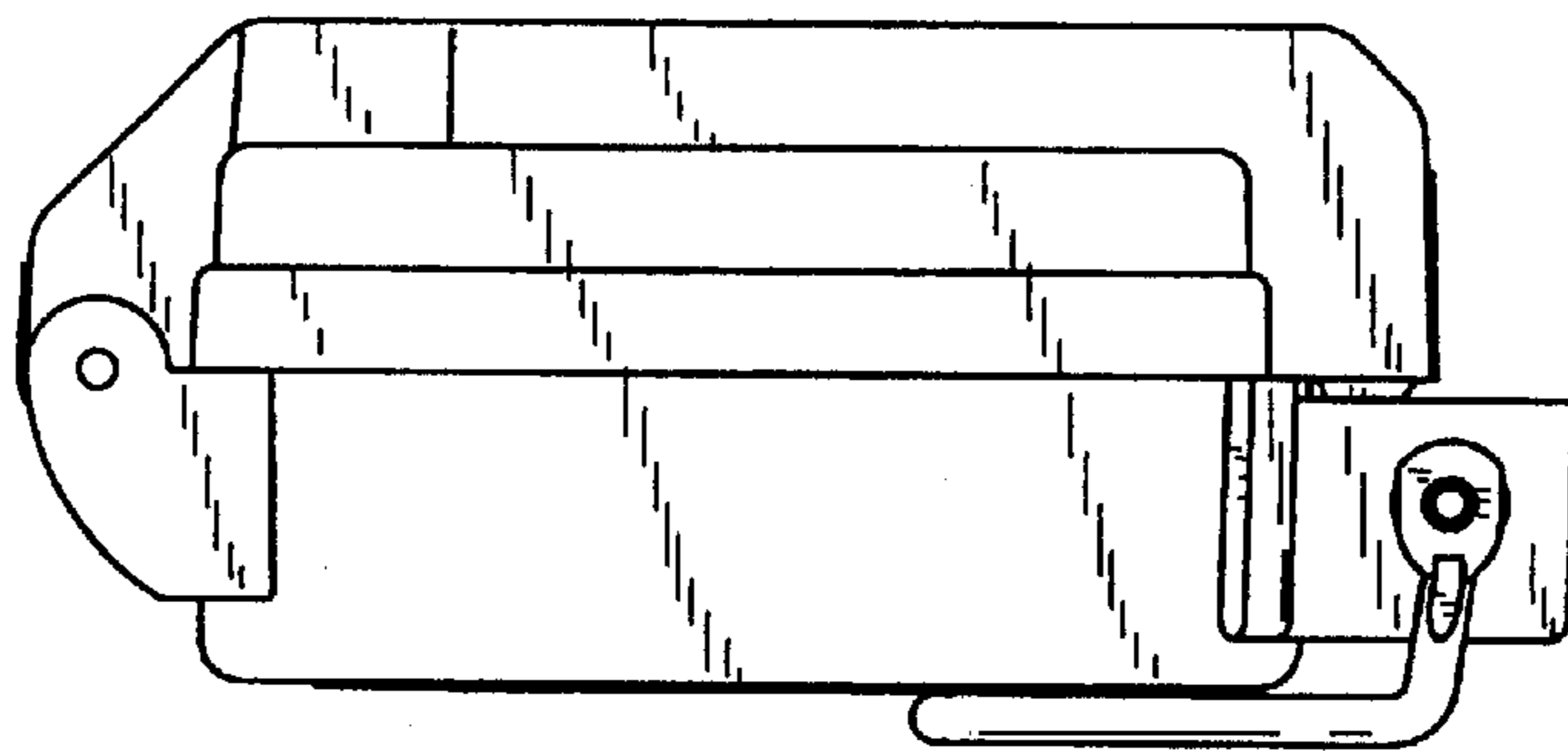


FIG. 4

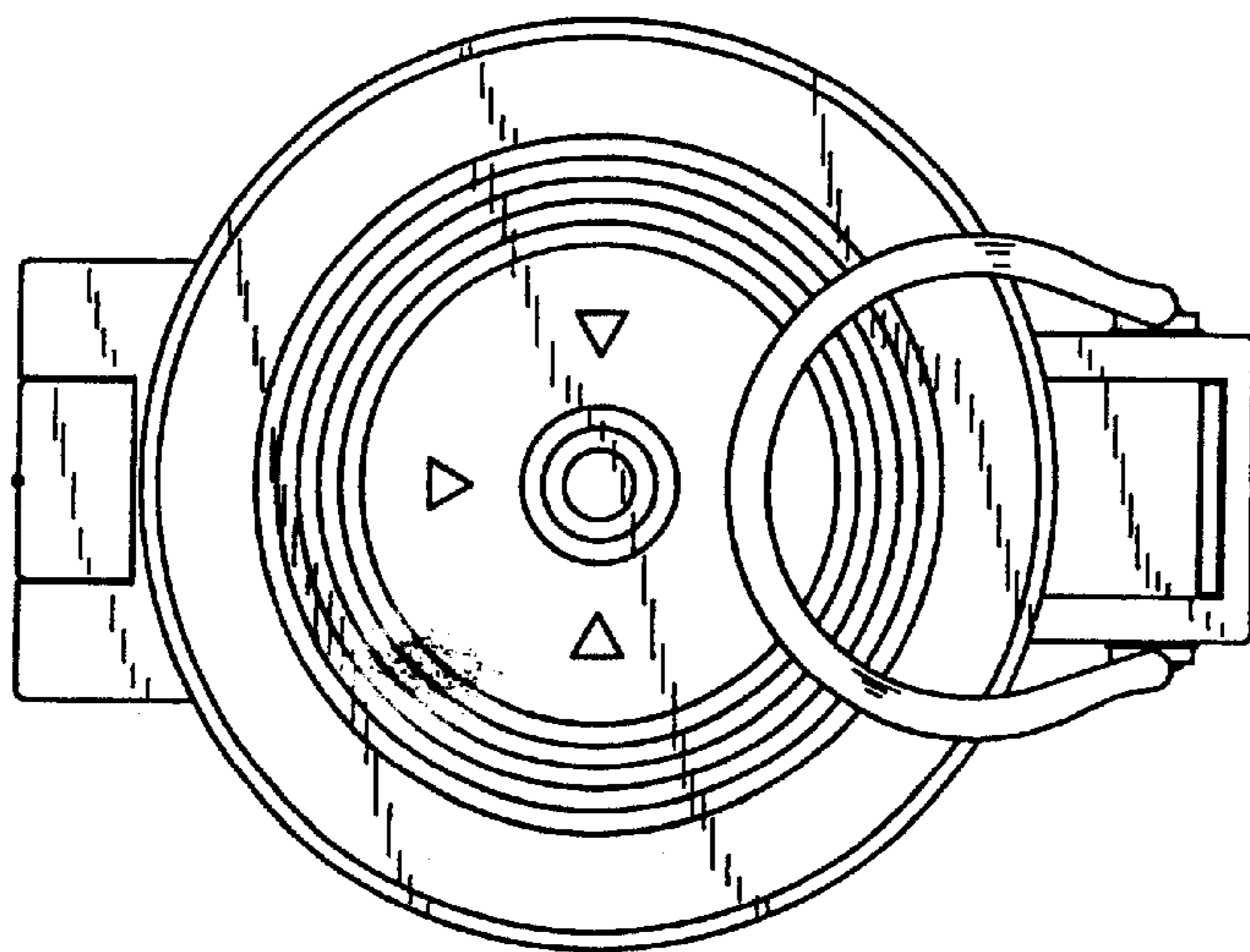


FIG. 5

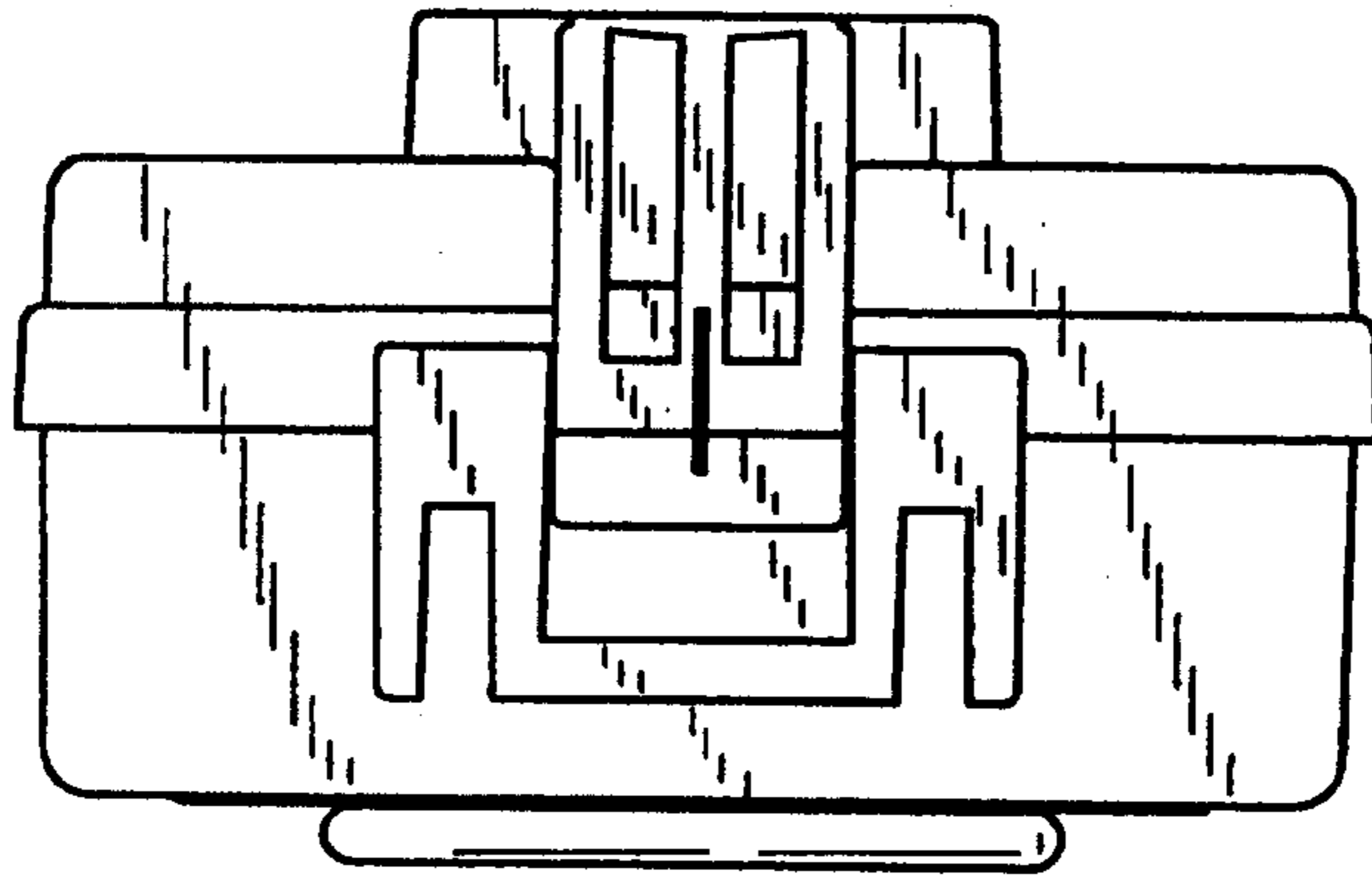


FIG. 6

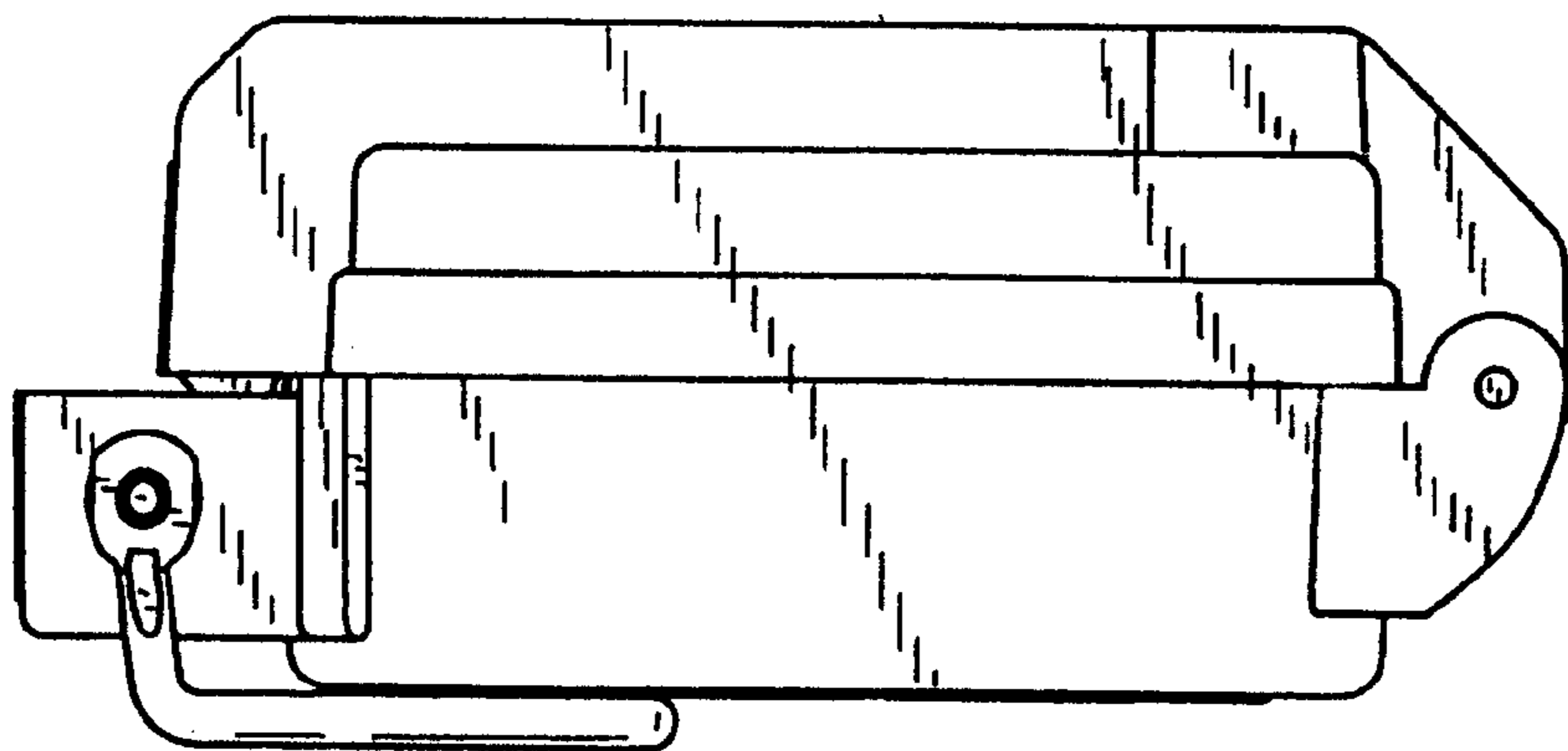


FIG. 7

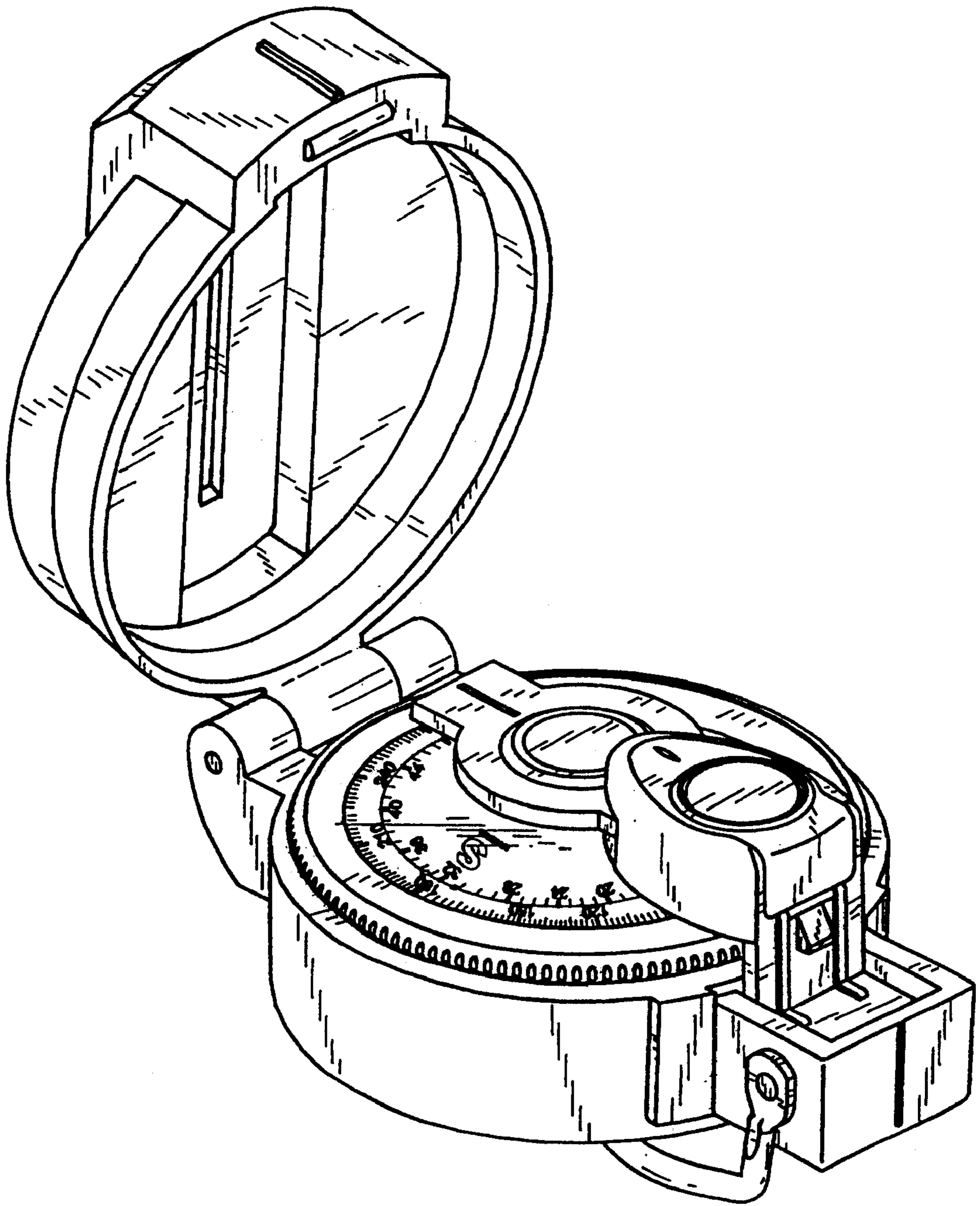


FIG. 8