



US00D470770S

(12) **United States Design Patent**
Machado et al.

(10) **Patent No.:** **US D470,770 S**

(45) **Date of Patent:** **** Feb. 25, 2003**

(54) **BEVERAGE BOTTLE**

(75) Inventors: **Craig Dale Machado**, Pismo Beach, CA (US); **Joseph Fredrick Amaral**, San Luis Obispo, CA (US)

(73) Assignee: **John Guido**, Arroyo Grande, CA (US)

(**) Term: **14 Years**

(21) Appl. No.: **29/148,341**

(22) Filed: **Sep. 10, 2001**

(51) **LOC (7) Cl.** **09-01**

(52) **U.S. Cl.** **D9/500; D9/537; D9/548**

(58) **Field of Search** D3/202; D6/542; D7/306; D9/500, 502-504, 516, 523, 526-528, 530-531, 537-540, 541-546, 549, 551, 556-558, 569, 570, 574-575; D24/121, 224, 197; D32/25, 30, 45, 10; 215/382-384, 396, 398, 400

(56) **References Cited**

U.S. PATENT DOCUMENTS

491,198 A	*	2/1893	Straus	215/40
1,419,509 A		6/1922	Newell	
1,514,375 A		11/1924	Crimmel	
D71,066 S	*	9/1926	Jones	D9/500
1,744,947 A		1/1930	Bowman	
D92,469 S	*	6/1934	Humphreys	D9/541
D97,218 S	*	8/1935	Wise	D9/502
D116,861 S	*	9/1939	Mas	D9/500
D124,640 S		1/1941	Levy	
D128,179 S	*	7/1941	Schwartz	D9/500
2,301,710 A		11/1942	Scudder	
D156,002 S		11/1949	Heftler-Louiche	
D203,074 S		11/1965	Adell	
D209,715 S	*	12/1967	Ninesting	D9/539
3,438,116 A		4/1969	Stengle, Jr.	
D228,172 S		8/1973	Byrne	
D233,217 S		10/1974	Blockson	
D234,998 S		4/1975	Achenbach	

D243,442 S		2/1977	Montgomery	
D275,649 S	*	9/1984	Shortino et al.	D9/500
D313,075 S	*	12/1990	Mariol	D24/197
D345,506 S	*	3/1994	Potts et al.	D9/543
5,332,112 A		7/1994	Blocker	
5,350,078 A	*	9/1994	Potts et al.	215/384
5,385,250 A	*	1/1995	Pasquale	215/400
D356,231 S	*	3/1995	Peyton, Jr.	D7/510
D366,214 S		1/1996	Cooper	
D379,151 S	*	5/1997	Stevens	D9/503
5,751,660 A		5/1998	Chappell	
D401,817 S		12/1998	Doret, Jr. et al.	
5,944,208 A	*	8/1999	Gale	215/296
D427,909 S	*	7/2000	Doritty et al.	D9/500
D434,985 S	*	12/2000	Colonna	D9/516
6,220,458 B1		4/2001	Falor	

FOREIGN PATENT DOCUMENTS

DE	1482573	4/1969
FR	1353643	1/1964
GB	13069	7/1890
GB	6324	3/1894

* cited by examiner

Primary Examiner—Prabhakar Deshmukh

Assistant Examiner—Carol Rademaker

(74) *Attorney, Agent, or Firm*—Philip A. Steiner

(57) **CLAIM**

The ornamental design for a beverage bottle, as shown and described.

DESCRIPTION

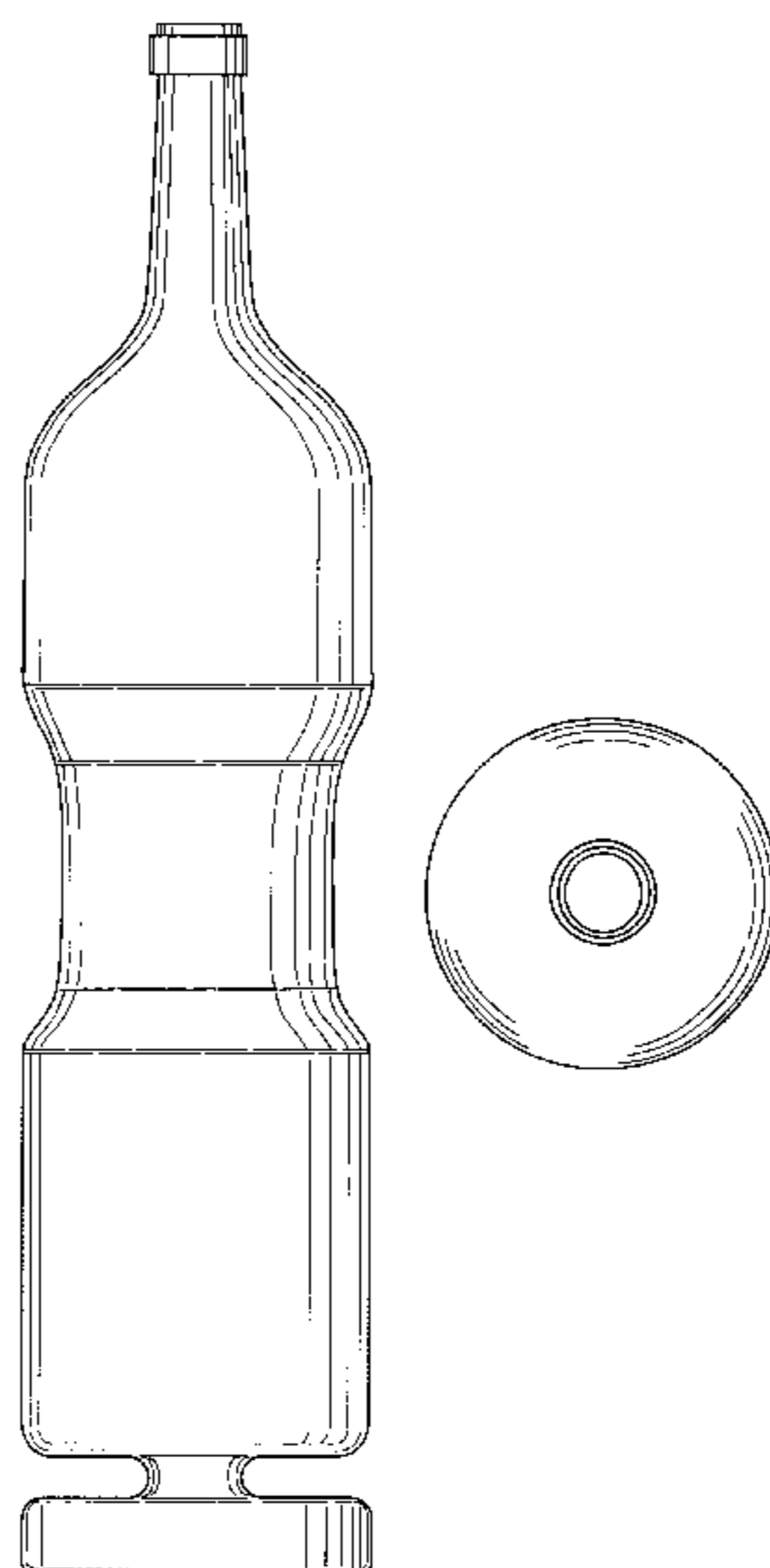
The present invention relates to a stylish beverage bottle, which allows the bottle to be slidably rack-mounted.

FIG. 1 is a front elevational view, of the claimed design, the rear, right side, and left side elevational views being identical;

FIG. 2 is a top plan view thereof; and,

FIG. 3 is a perspective view thereof.

1 Claim, 2 Drawing Sheets



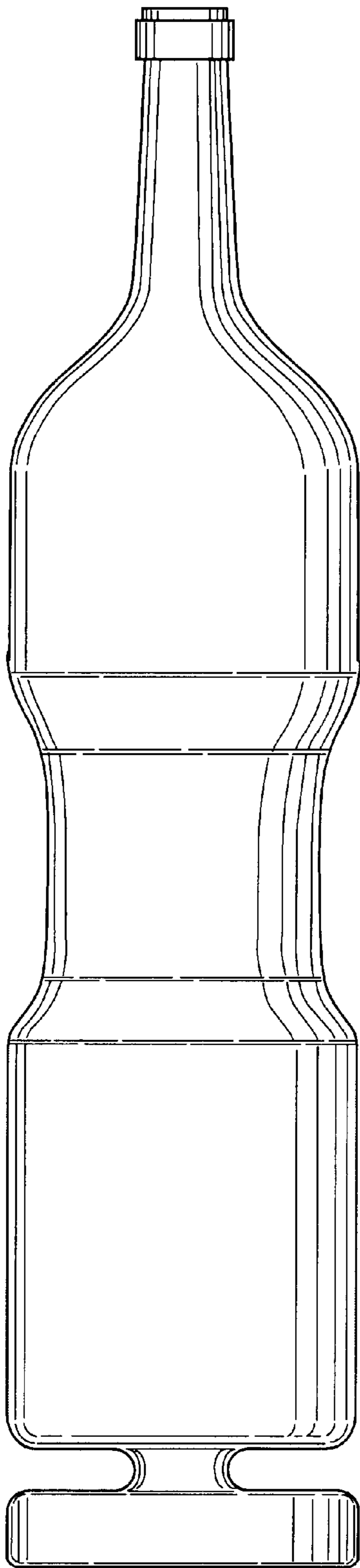


Fig. 1

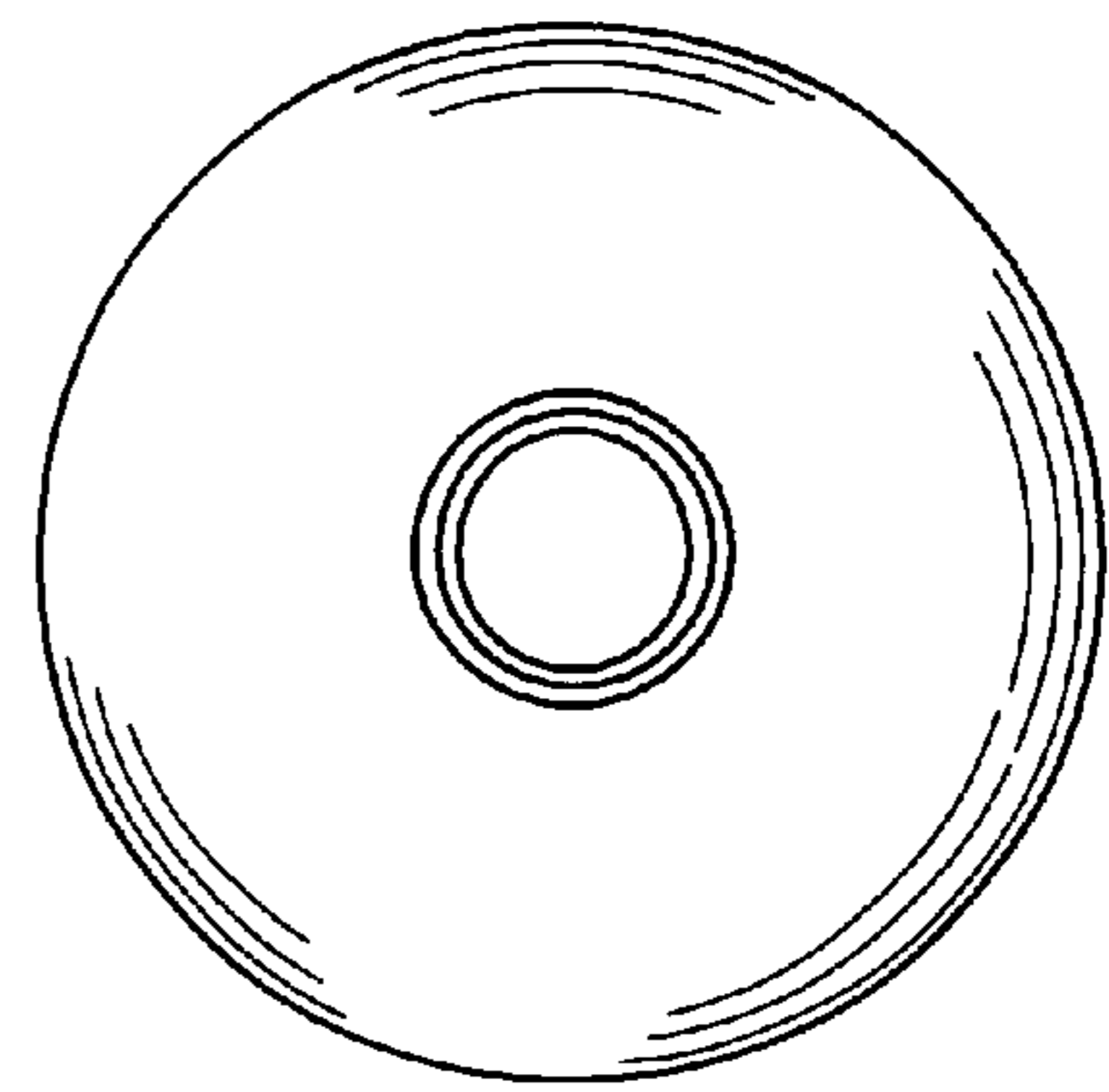


Fig. 2

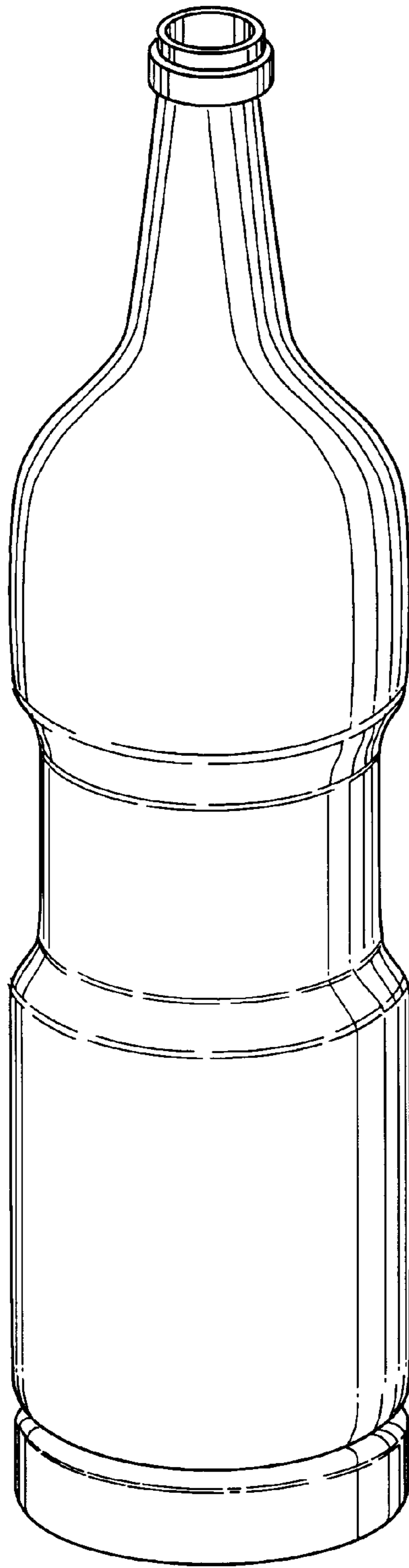


Fig.3