



US00D470766S

(12) **United States Design Patent**
Fai Au

(10) **Patent No.:** **US D470,766 S**

(45) **Date of Patent:** **** Feb. 25, 2003**

(54) **DISPLAYABLE WATCH HOLDER**

D455,074 S * 4/2002 Au D9/422

(75) Inventor: **Kinsen Ka Fai Au, N.T. (HK)**

* cited by examiner

(73) Assignee: **Nationalpak Limited, Tuen Mun (HK)**

Primary Examiner—Prabhakar Deshmukh

(**) Term: **14 Years**

(74) *Attorney, Agent, or Firm*—Raymond Y. Chan; David and Raymond Patent Group

(21) Appl. No.: **29/155,470**

(57) **CLAIM**

(22) Filed: **Feb. 12, 2002**

The ornamental design for a displayable watch holder, as shown and described.

(51) **LOC (7) Cl.** **09-03**

DESCRIPTION

(52) **U.S. Cl.** **D9/422**

(58) **Field of Search** D9/414, 415, 422,
D9/337, 455; 206/301, 6.11, 566, 18, 45.2,
45.23, 45.24, 756-766, 822, 828, 1.5, 459.1,
459.5, 487

FIG. 1 is a perspective view showing my new design.

FIG. 2 is a front view thereof.

FIG. 3 is a rear view thereof.

FIG. 4 is a right end view thereof.

FIG. 5 is a left end view thereof.

FIG. 6 is a top view thereof.

FIG. 7 is a bottom view thereof.

FIG. 8 is a perspective view showing my new design which illustrates how a watch is displayed when incorporates thereon; and,

FIG. 9 is an exploded perspective view showing my new design featuring the watch holder portion and watch displayed stand portion.

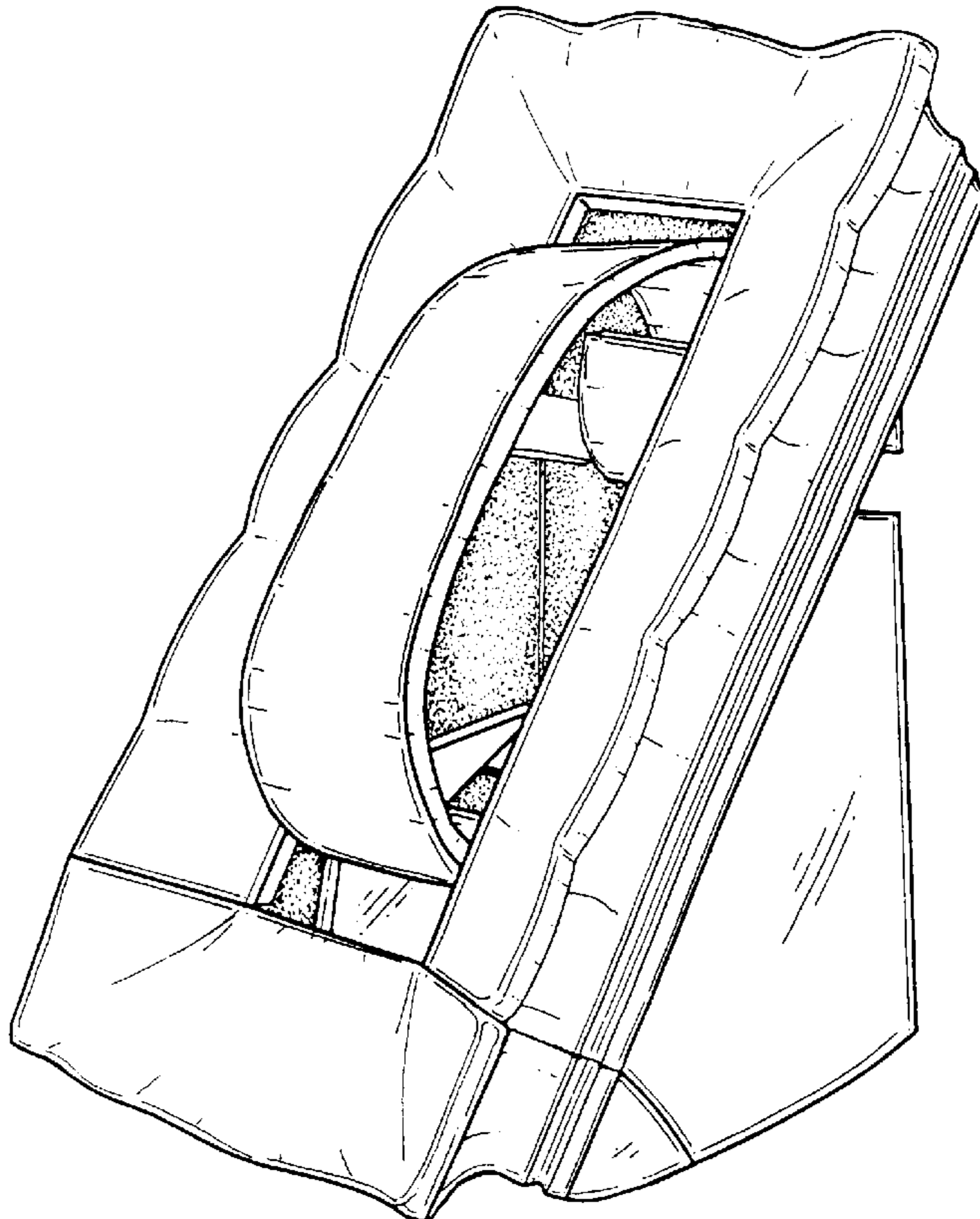
The broken line showing of a watch in FIG. 8 is for illustrative purpose only and forms no part of the claimed design.

(56) **References Cited**

U.S. PATENT DOCUMENTS

D240,202	S	*	6/1976	Ferguson	D9/422
4,034,849	A	*	7/1977	Zakrajack	D9/422 X
4,199,059	A	*	4/1980	Maroszek	206/6.1
4,216,858	A	*	8/1980	Beachamp	206/301
4,830,181	A	*	5/1989	Hartman	206/459.5
5,325,960	A	*	7/1994	Sims	206/765
D349,553	S	*	8/1994	Au	D9/422
5,579,906	A	*	12/1996	Fabbri et al.	206/301
D425,789	S	*	5/2000	Au	D9/422
D429,639	S	*	8/2000	Dikowitz	D9/415

1 Claim, 9 Drawing Sheets



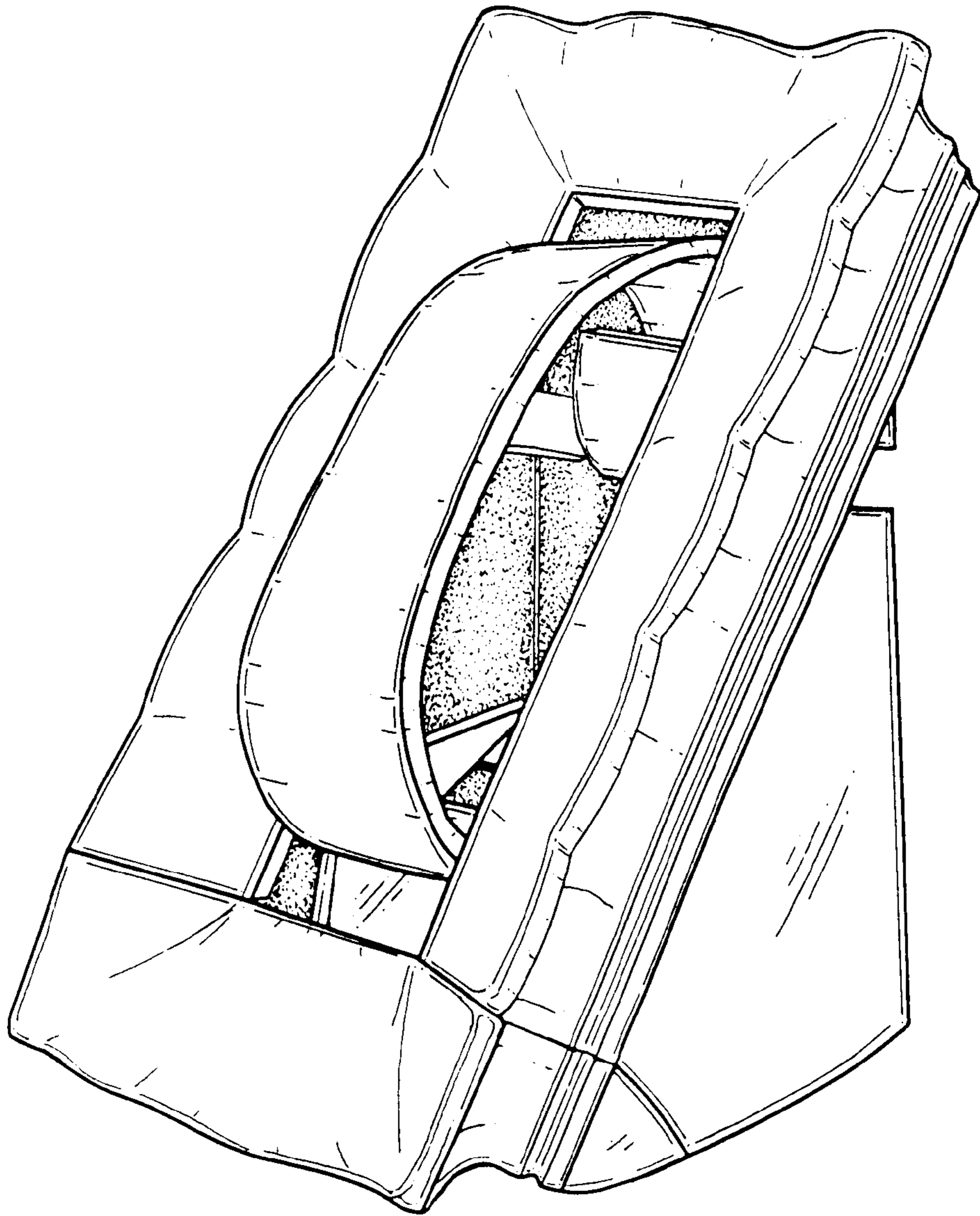


FIG. 1

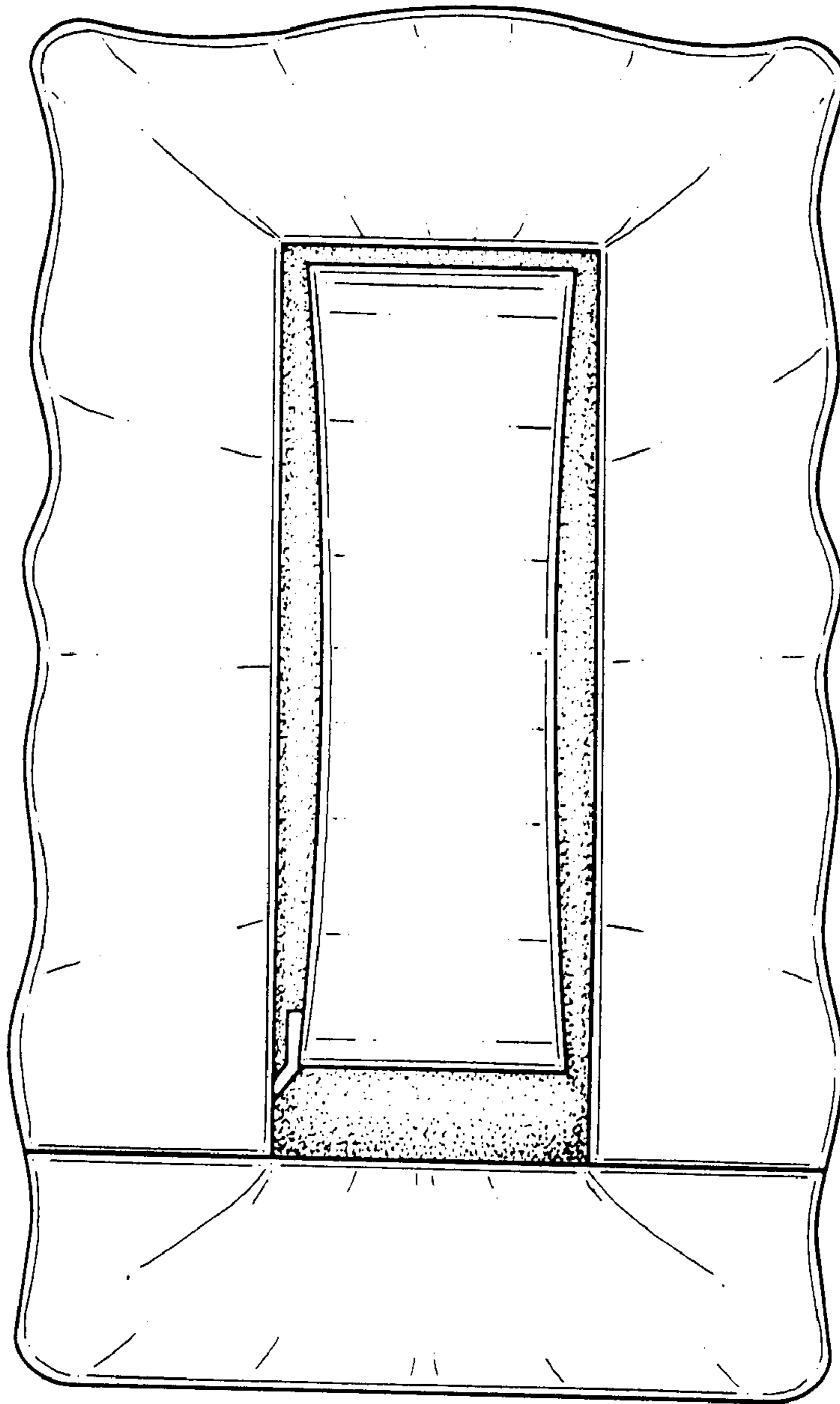


FIG. 2

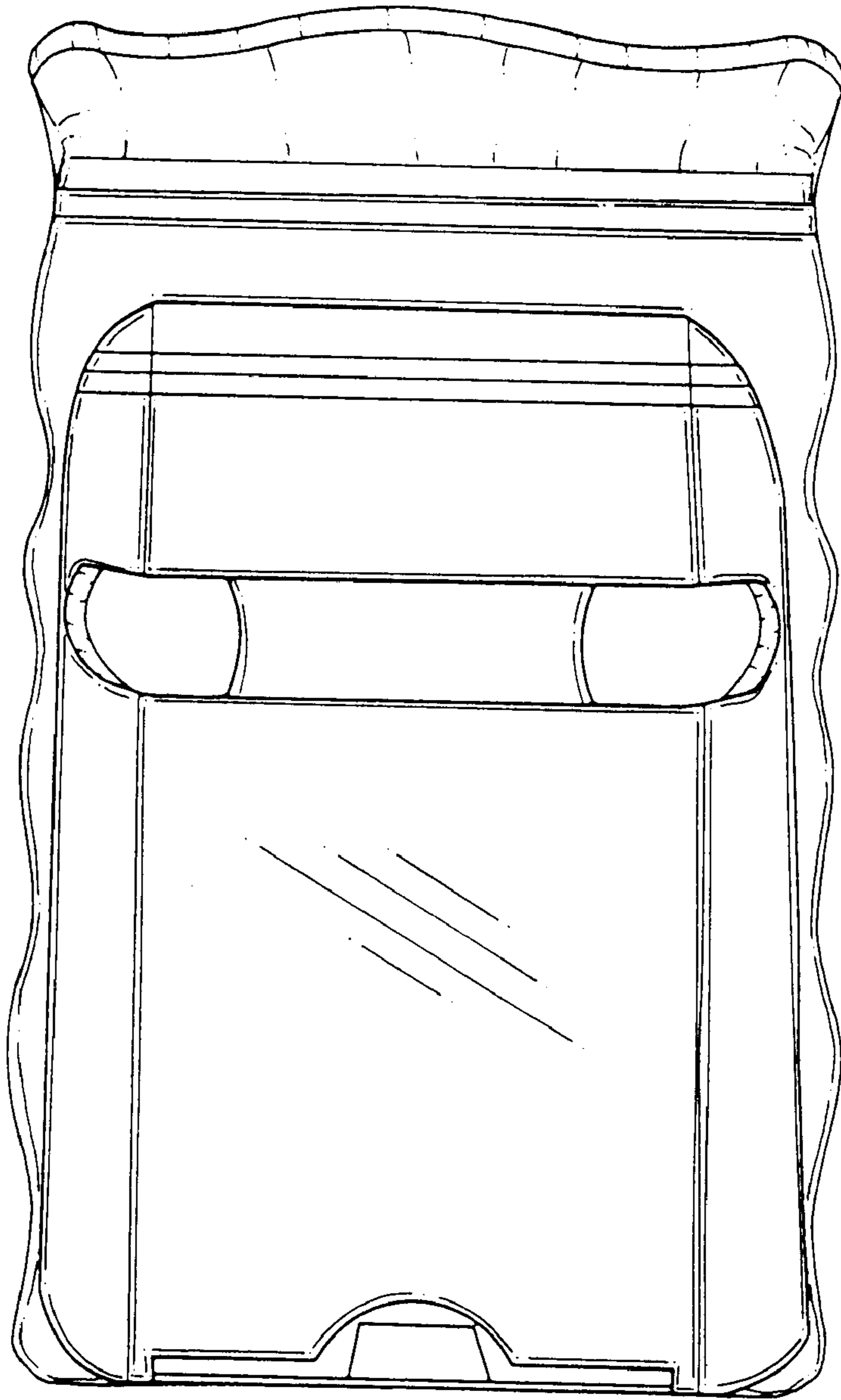


FIG. 3

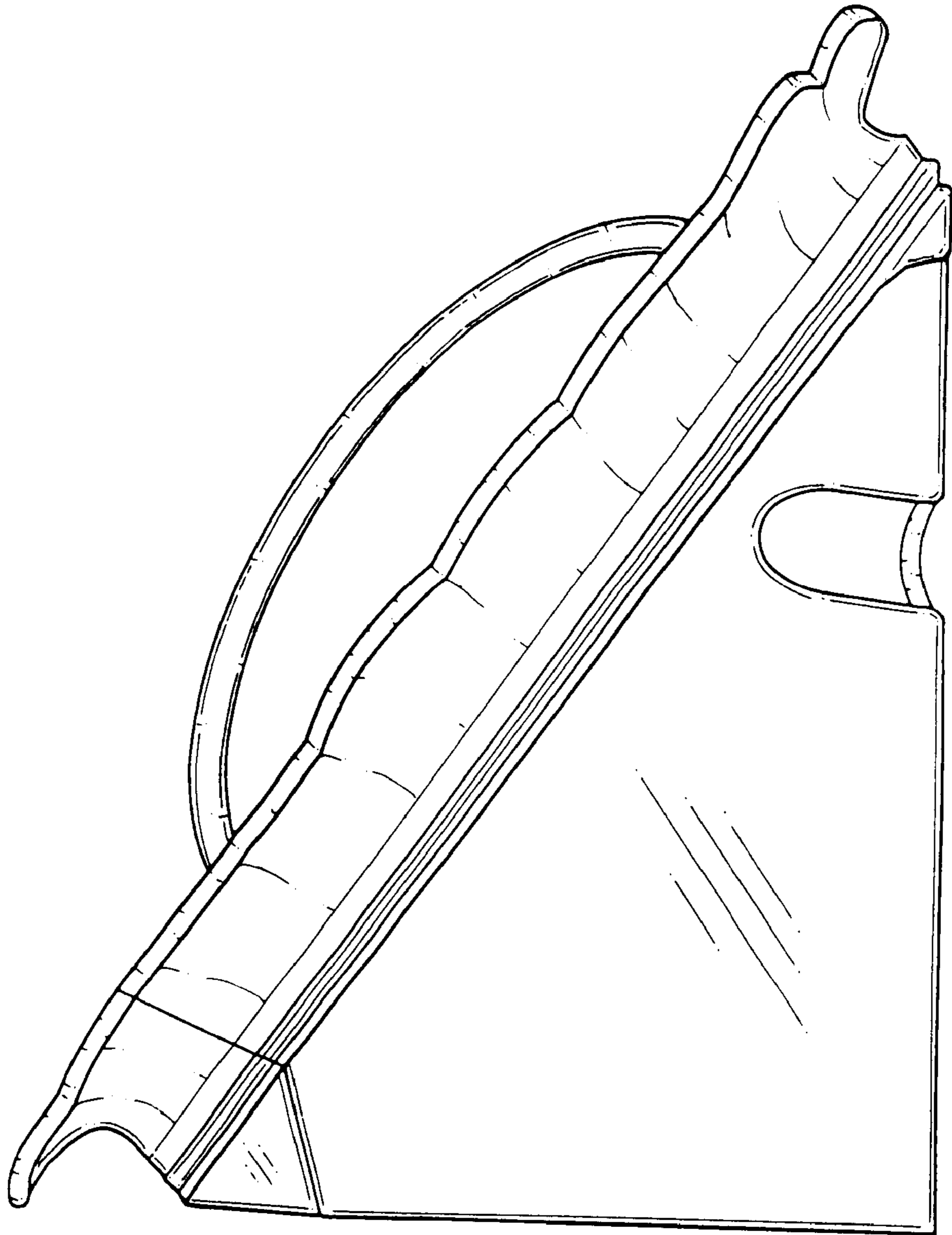


FIG. 4

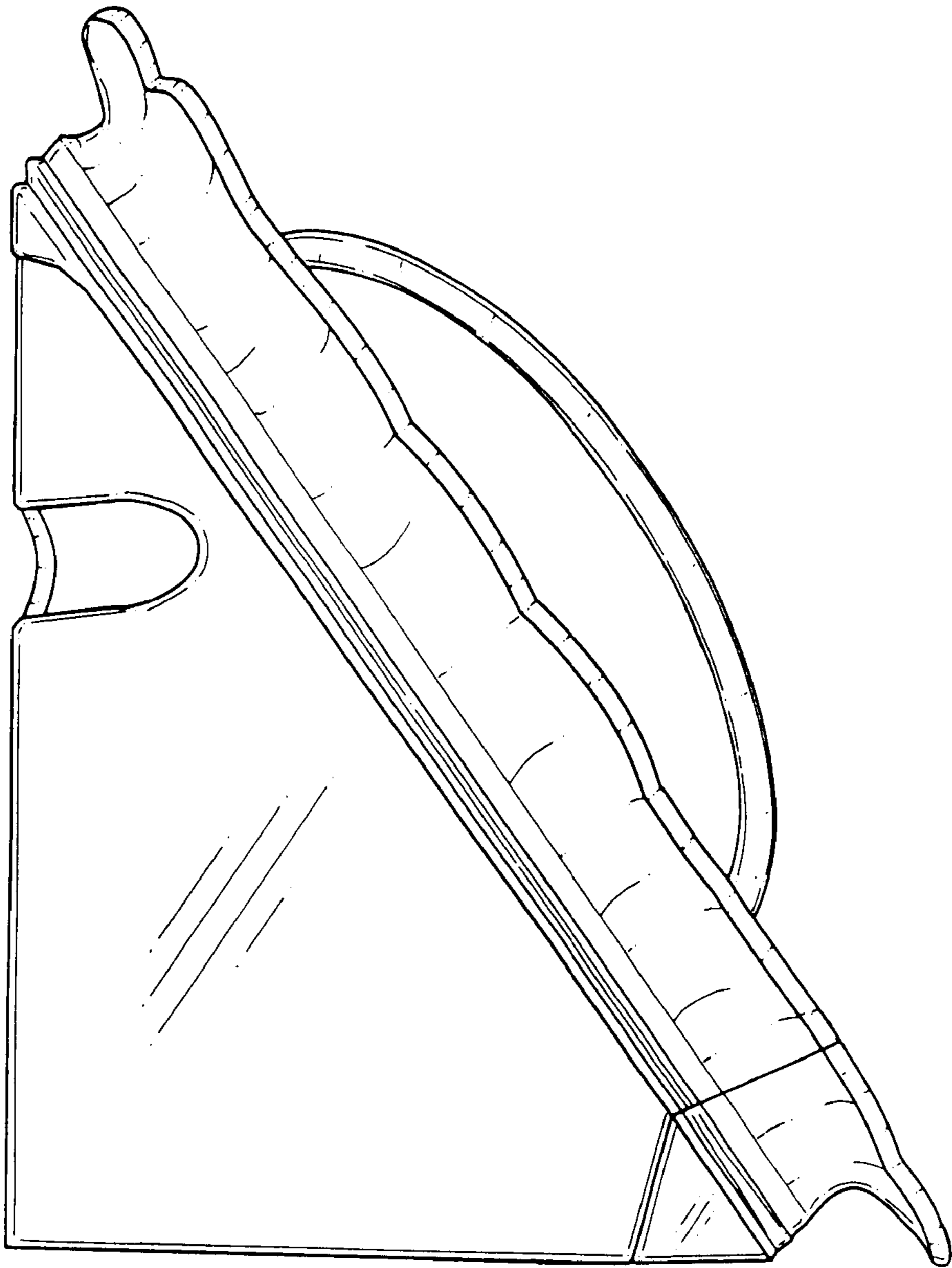


FIG. 5

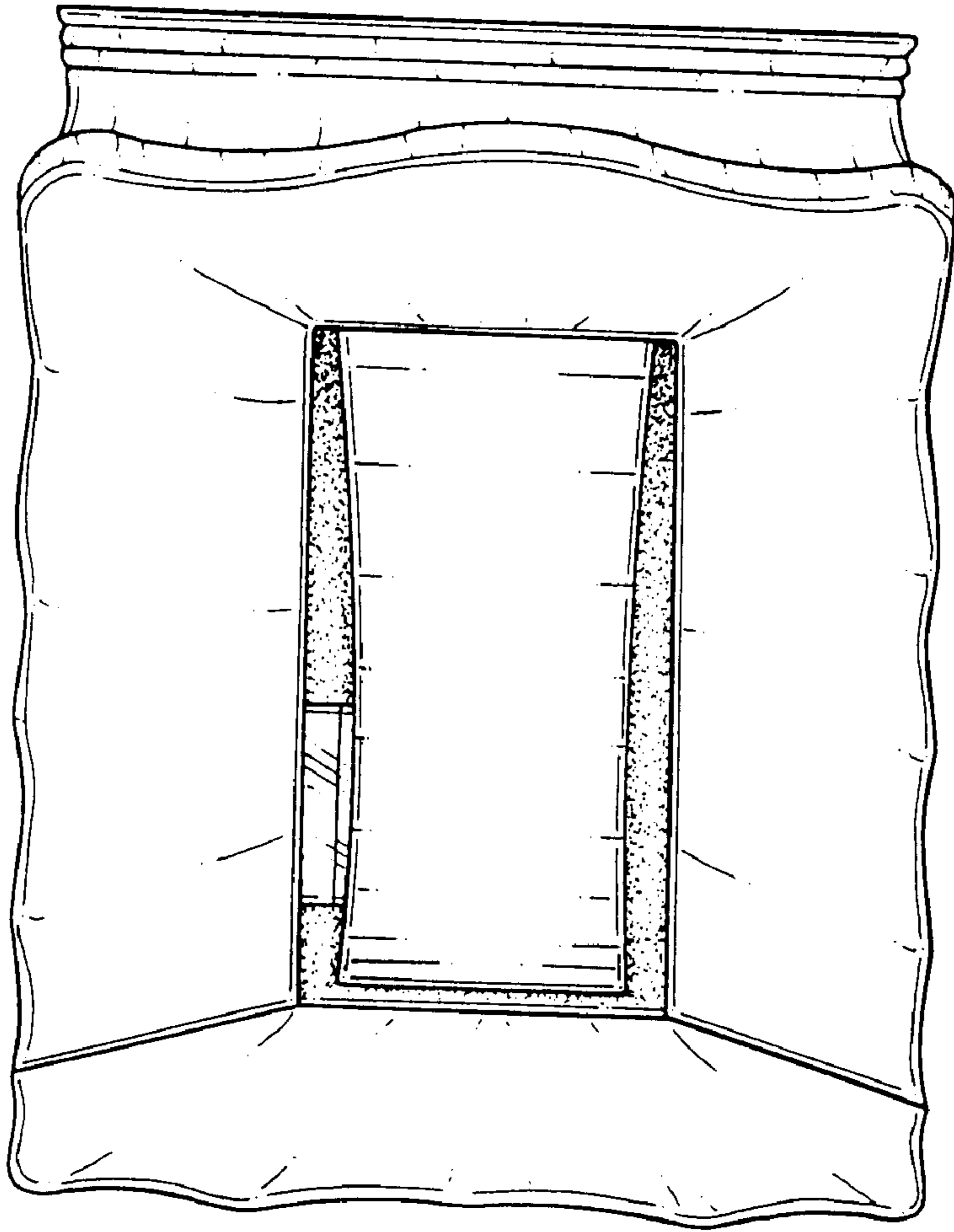


FIG. 6

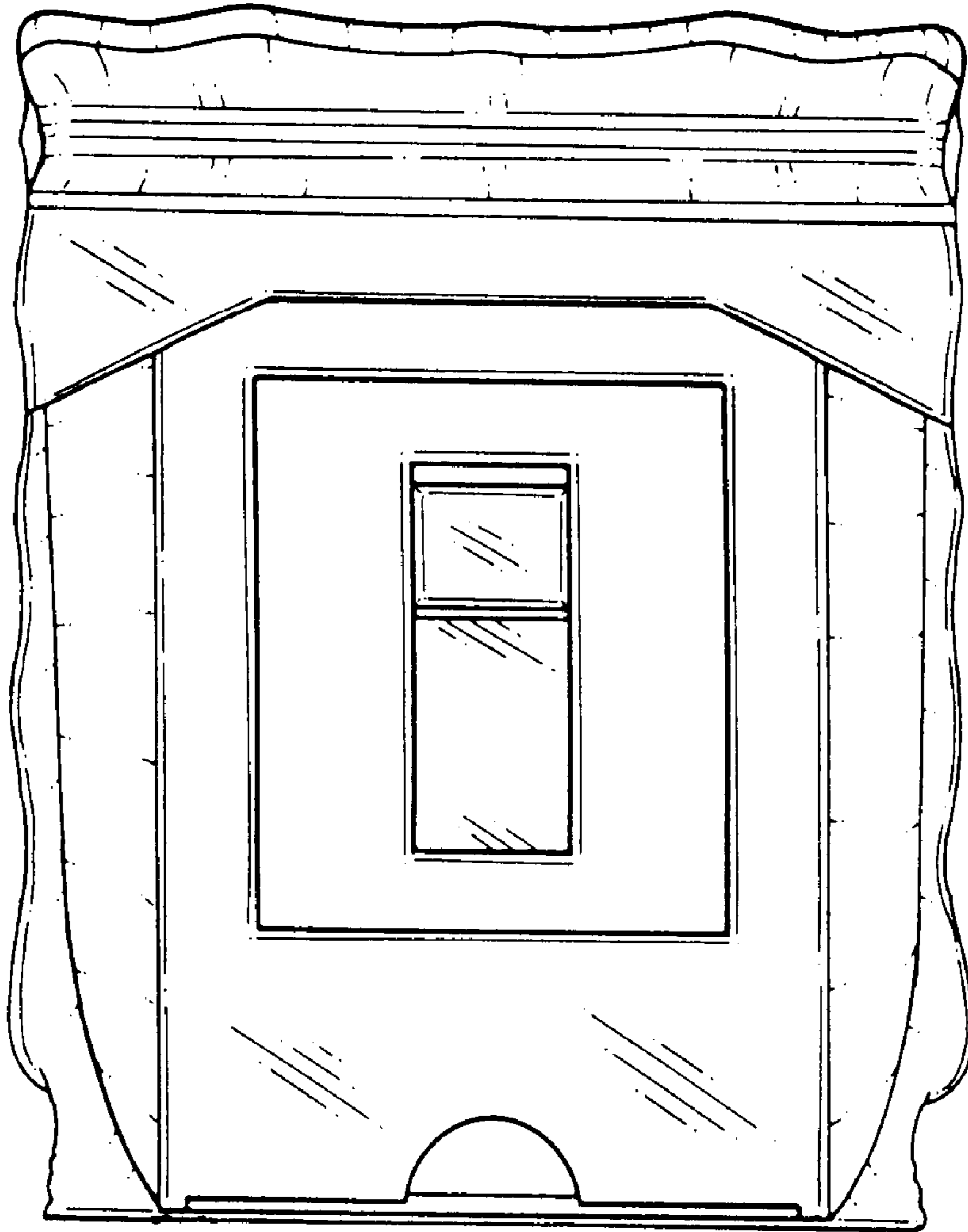


FIG. 7

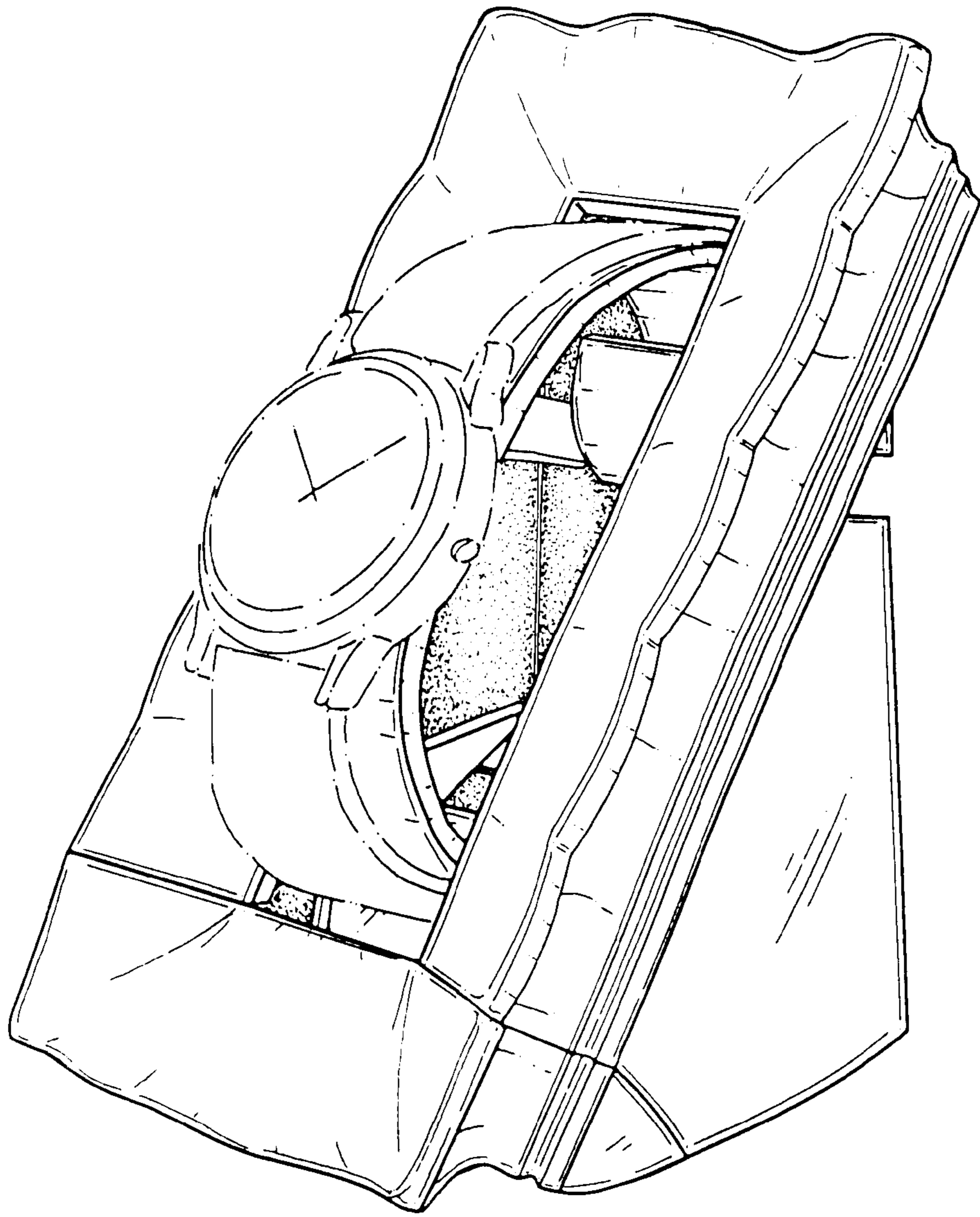


FIG. 8

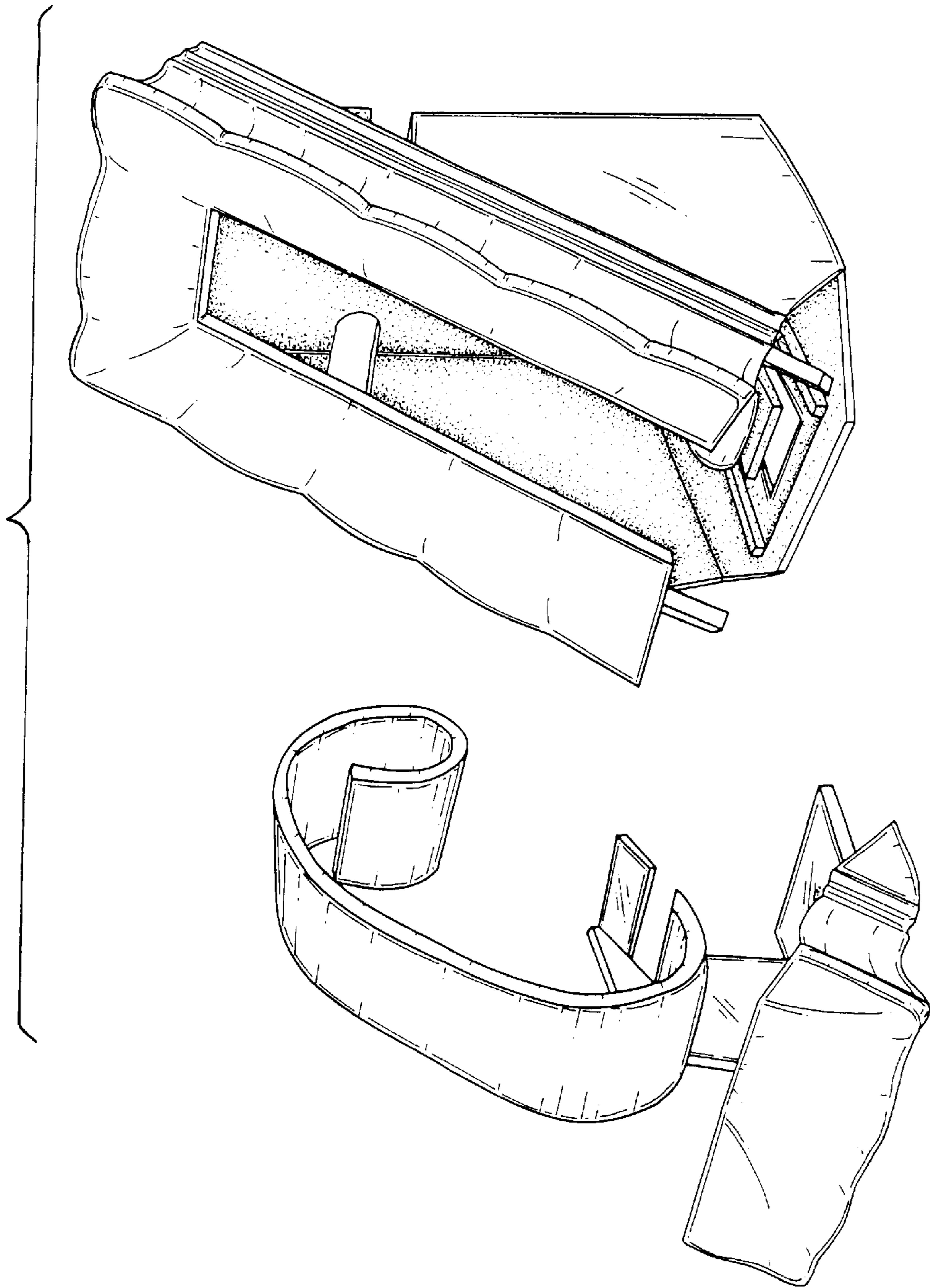


FIG. 9