



US00D470763S

(12) **United States Design Patent**
Garcia

(10) **Patent No.:** **US D470,763 S**

(45) **Date of Patent:** **** Feb. 25, 2003**

(54) **FLUID PRODUCT PACKAGING CASE**

(75) Inventor: **Firmin Garcia**, Evreux (FR)

(73) Assignee: **Valois S.A.**, Le Neubourg (FR)

(**) Term: **14 Years**

(21) Appl. No.: **29/163,349**

(22) Filed: **Jul. 3, 2002**

Related U.S. Application Data

(62) Division of application No. 29/155,883, filed on Feb. 21, 2000, which is a division of application No. 29/131,547, filed on Oct. 25, 2000.

(30) **Foreign Application Priority Data**

Apr. 25, 2000 (FR) 00 2547

(51) **LOC (7) Cl.** **09-03**

(52) **U.S. Cl.** **D9/416**

(58) **Field of Search** D9/416, 417, 414, D9/419, 456, 305, 306; 206/0.5, 0.6, 0.7, 484, 484.1, 484.2, 528, 531, 532, 439, 813, 822; 229/87.03; 222/3, 4, 5, 541.1-541.9, 92, 95, 105, 106, 107, 212, 494, 591, 594

(56) **References Cited**

U.S. PATENT DOCUMENTS

506,982 A * 10/1893 Diamond 222/541.1
3,115,967 A * 12/1963 Branstner 206/0.5
3,184,121 A 5/1965 Volckening

D210,272 S 2/1968 Arcudj
D210,818 S 4/1968 Caliman
3,521,805 A * 7/1970 Ward 206/532
D222,237 S 10/1971 Schmit
3,768,725 A 10/1973 Pilaro
3,872,970 A 3/1975 Edison
4,150,744 A 4/1979 Fennimore
4,482,053 A * 11/1984 Alpern et al. 206/484.1
D319,976 S * 9/1991 Wortley et al. D9/416
5,373,966 A * 12/1994 O'Reilly et al. 206/484
5,511,665 A 4/1996 Dressel et al.
5,529,224 A 6/1996 Chan et al.
6,199,698 B1 3/2001 Hetrick et al.
6,260,735 B1 * 7/2001 Fuquen 222/541.9
D450,577 S 11/2001 Nielsen

* cited by examiner

Primary Examiner—Prabhakar Deshmukh
(74) *Attorney, Agent, or Firm*—Sughrue Mion, PLLC

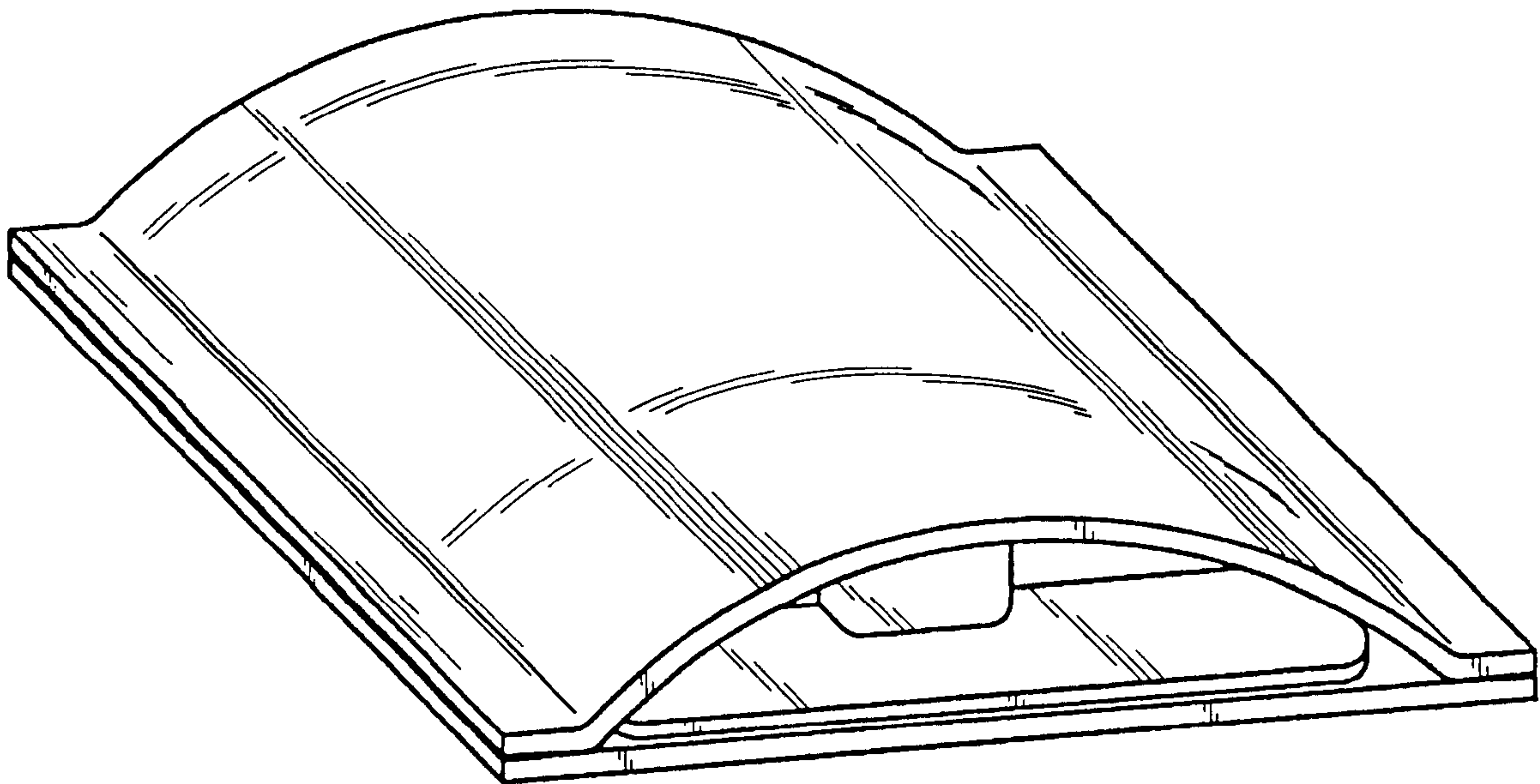
(57) **CLAIM**

The ornamental design for a fluid product packaging case, as shown.

DESCRIPTION

FIG. 1 shows a perspective view of a fluid product packaging case from the top, front and left side;
FIG. 2 shows a perspective view from the front and bottom of the fluid product packaging case of FIG. 1; and,
FIG. 3 shows a perspective view from the top, rear and left sides of the fluid product packaging case of FIGS. 1 and 2.

1 Claim, 3 Drawing Sheets



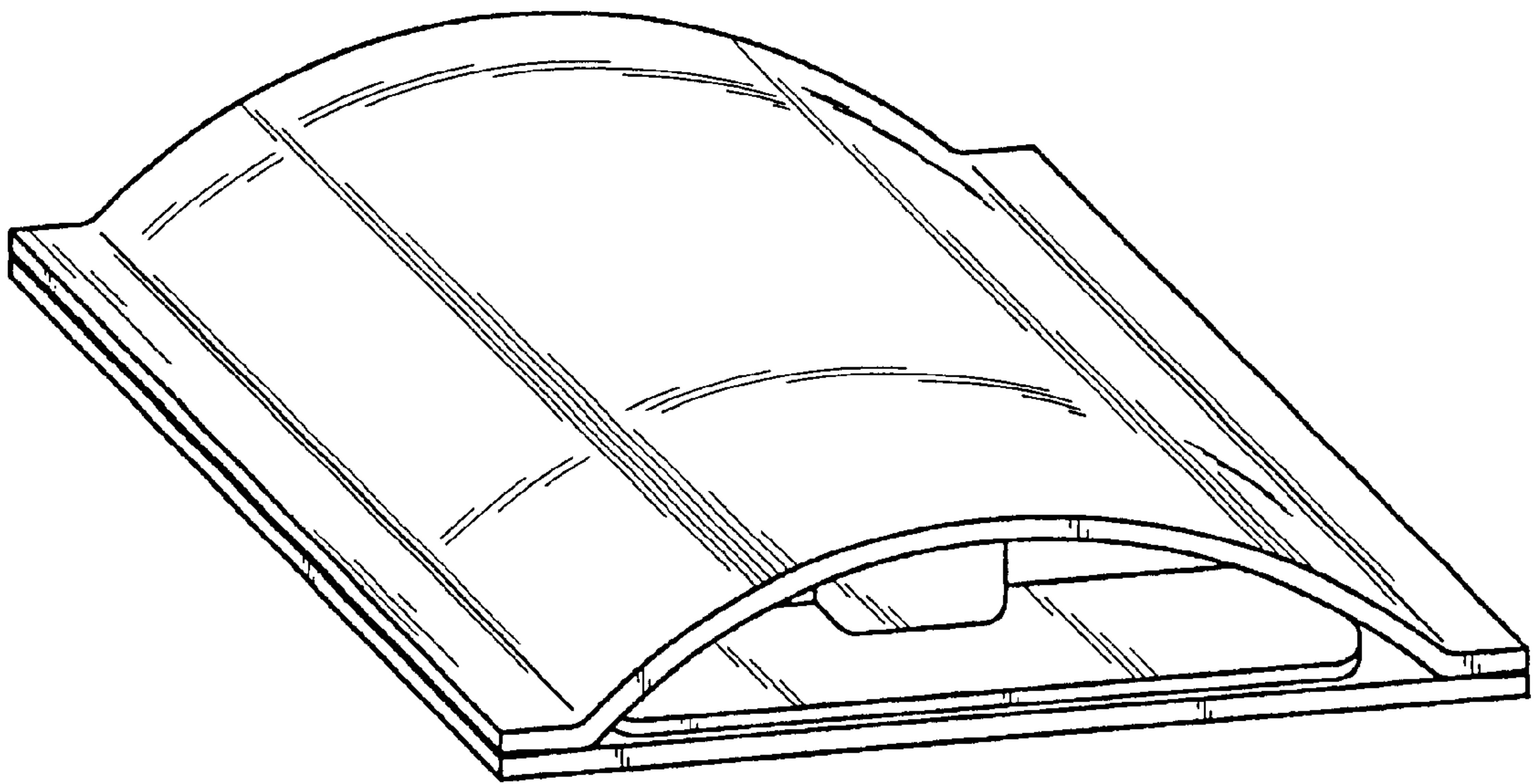


Fig. 1

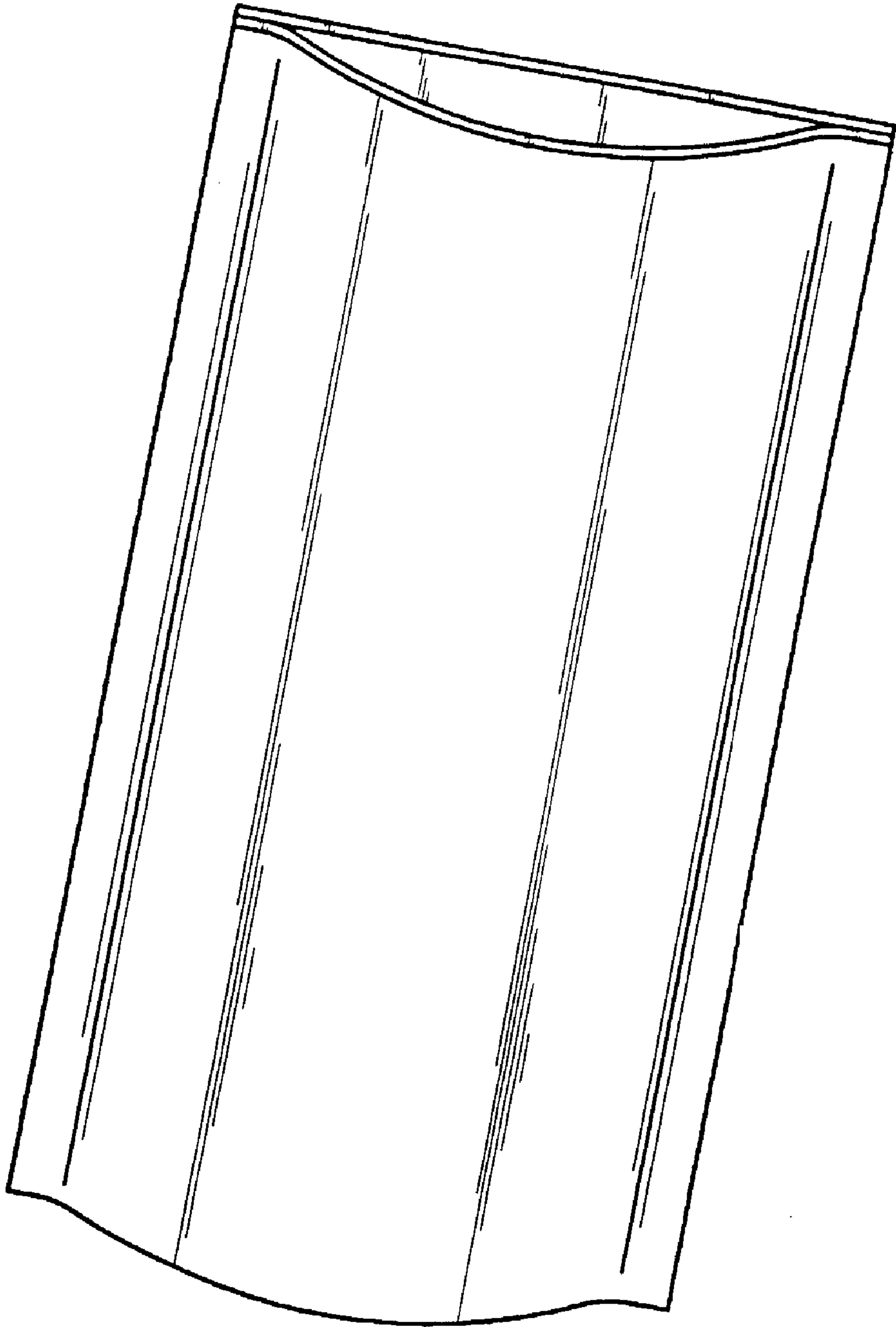


Fig. 2

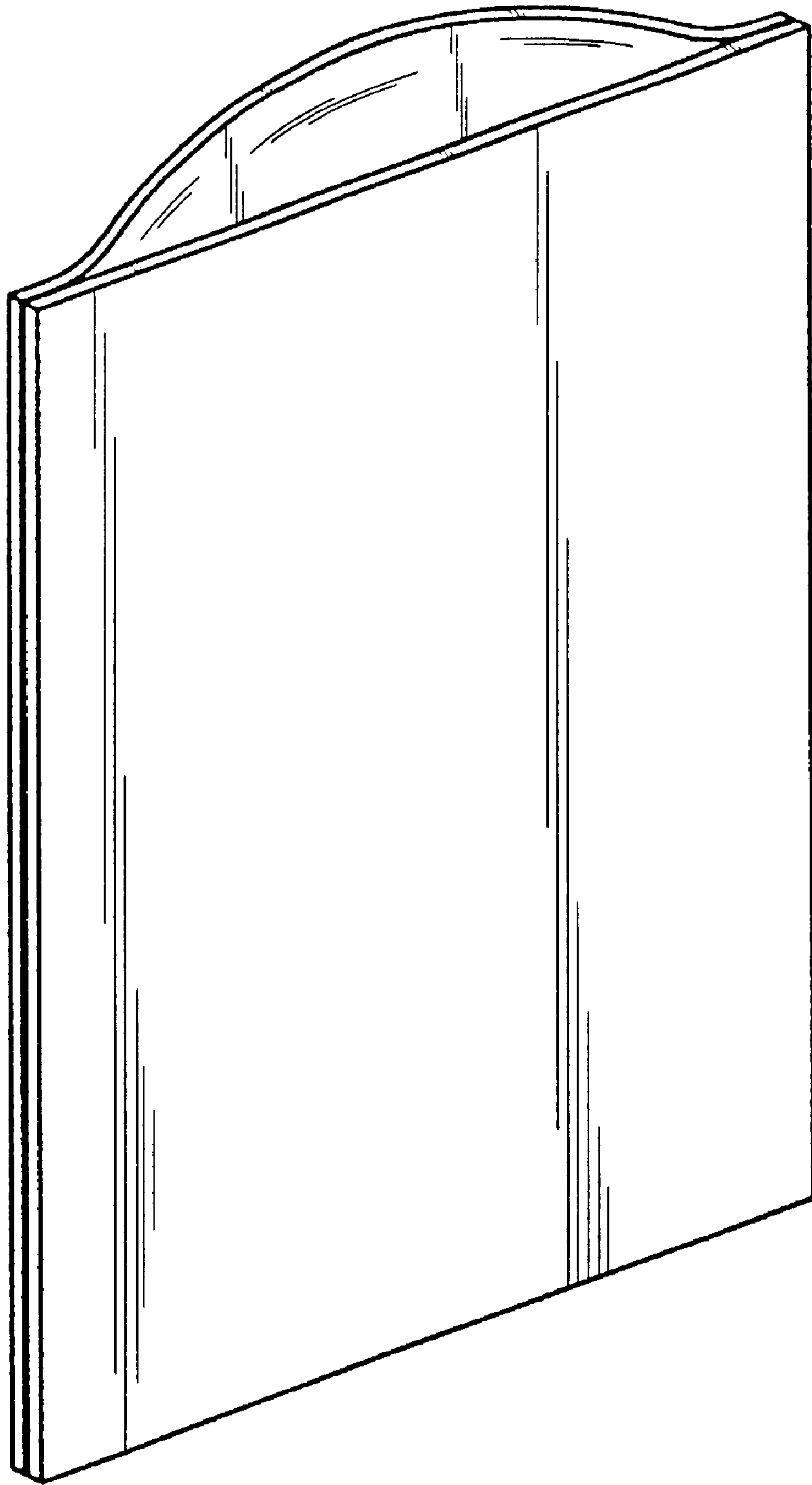


Fig. 3