



US00D470760S

(12) **United States Design Patent**
Thorne et al.

(10) **Patent No.:** **US D470,760 S**

(45) **Date of Patent:** **** Feb. 25, 2003**

(54) **DORIC COLUMN WITH LABEL SPACE SHAPED BOTTLE**

5,692,351 A * 12/1997 Morrison et al. D9/129 X
D408,687 S * 4/1999 Chan D9/322

(76) Inventors: **Steve Thorne**, 3315 Grand Ave.,
Oakland, CA (US) 94610; **Bruce W. Leppla**, 500 El Camino Del Mar, San
Francisco, CA (US) 94121

* cited by examiner

Primary Examiner—Terry A. Wallace

(**) Term: **14 Years**

(57) **CLAIM**

The ornamental design for a doric column with label space shaped bottle, as shown and described.

(21) Appl. No.: **29/156,622**

DESCRIPTION

(22) Filed: **Mar. 4, 2002**

(51) **LOC (7) Cl.** **09-01**

(52) **U.S. Cl.** **D9/322**

(58) **Field of Search** D9/307, 322; D25/126,
D25/128, 129; 206/457; 229/116.1, 116.5;
215/400

FIG. 1 is a front elevational view of a bottle showing our new design (the rear elevational view is a mirror image).

FIG. 2 is a side elevational view thereof (left and right side are the same);

FIG. 3 is a top view thereof;

FIG. 4 is a cross-section view taken along line 4—4 of FIG. 1, the shaft is shown separately for clarity of illustration; and,

FIG. 5 is a cross-section view taken along line 5—5 of FIG. 1.

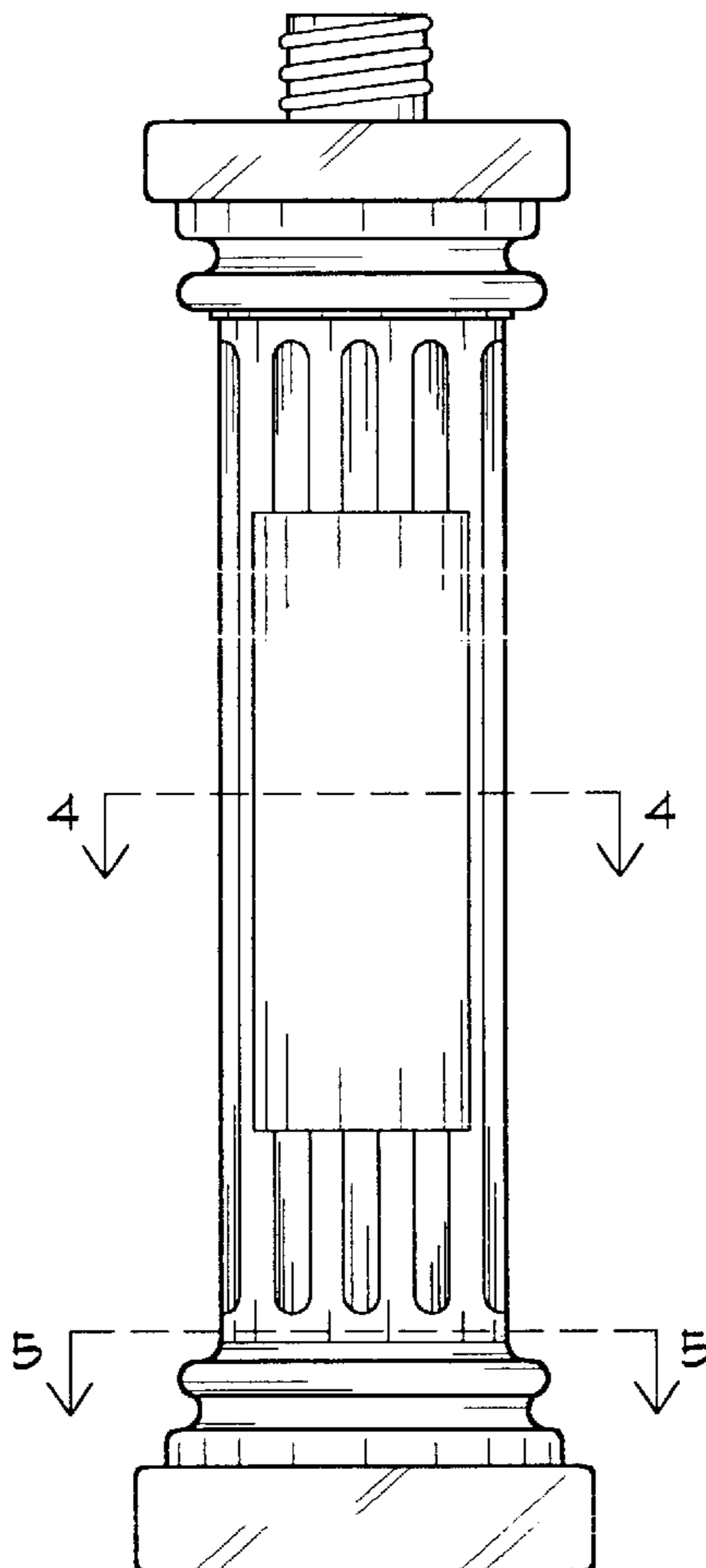
The bottom of the bottle is unornamented.

(56) **References Cited**

U.S. PATENT DOCUMENTS

D32,857 S * 6/1900 Peet D25/129 X
D113,887 S * 3/1939 West D9/322
D278,676 S * 5/1985 DeAre D25/129 X

1 Claim, 1 Drawing Sheet



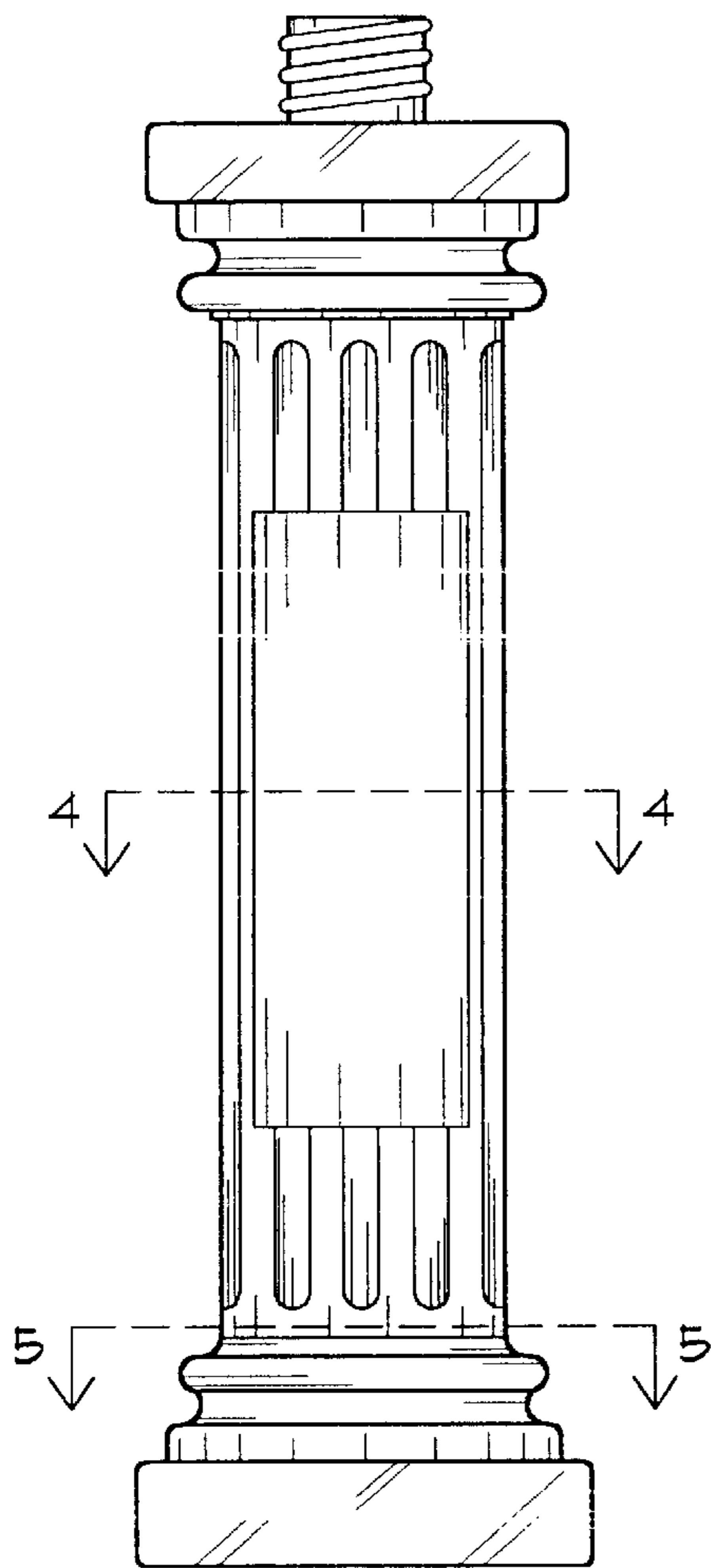


FIG. 1

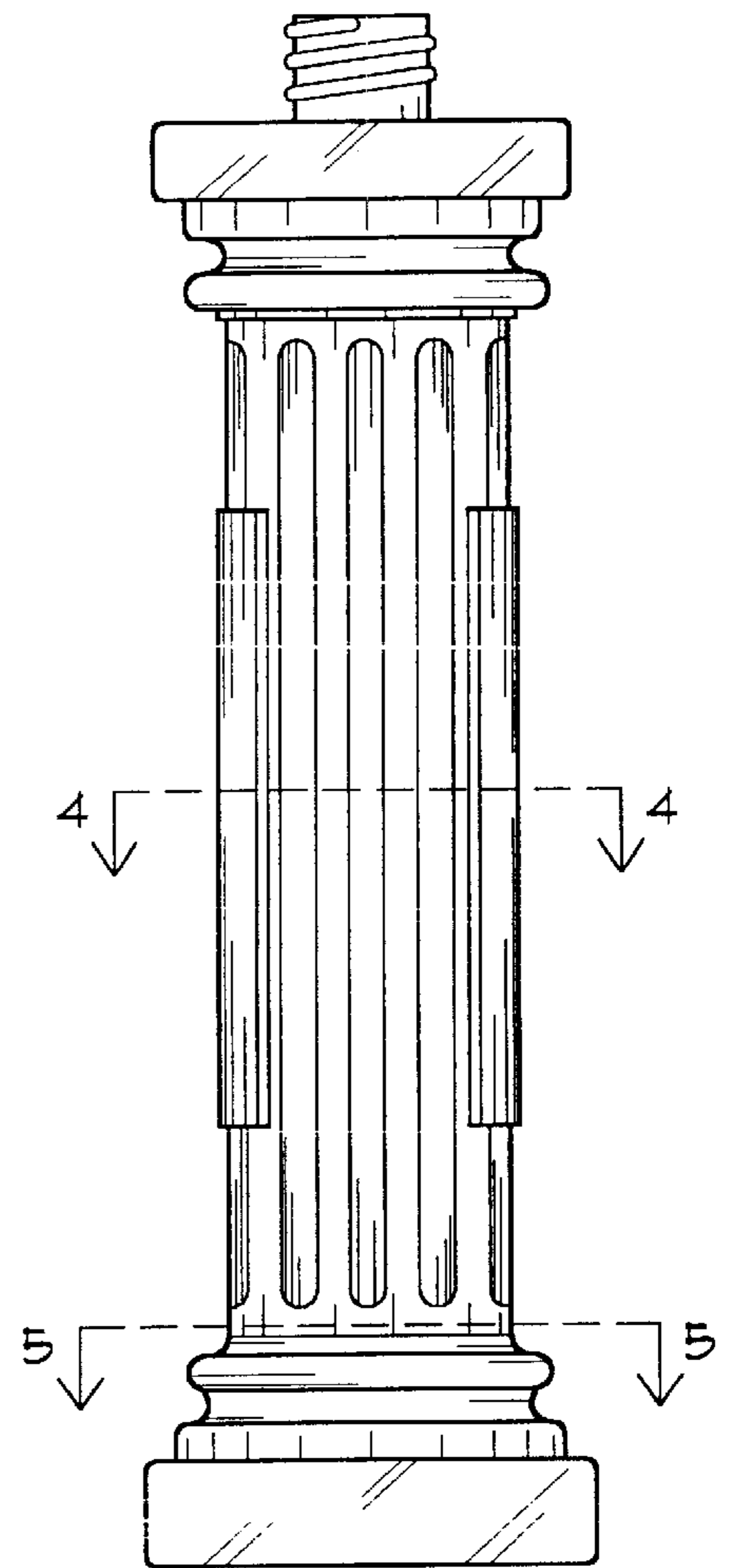


FIG. 2

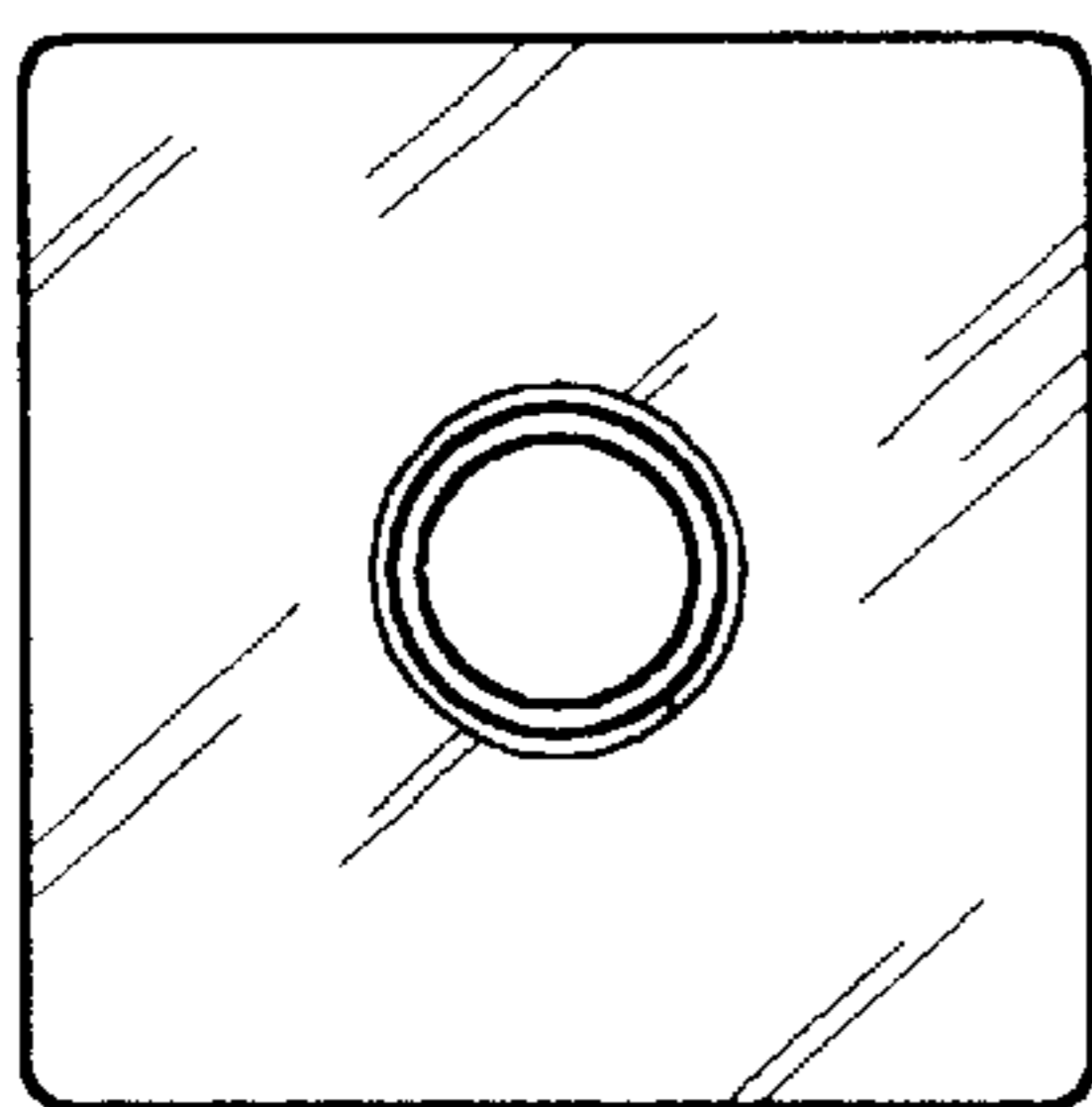


FIG. 3

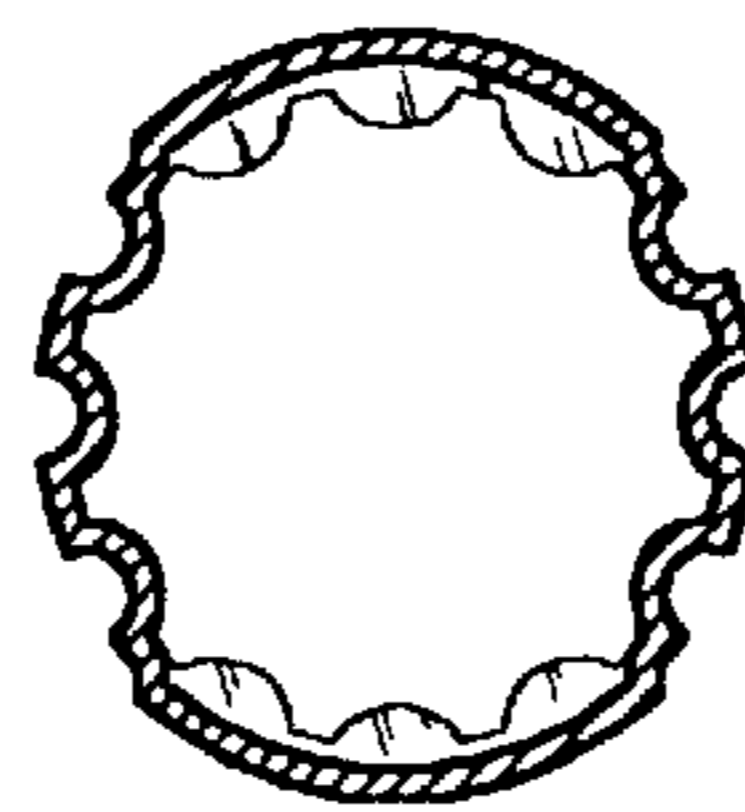


FIG. 4

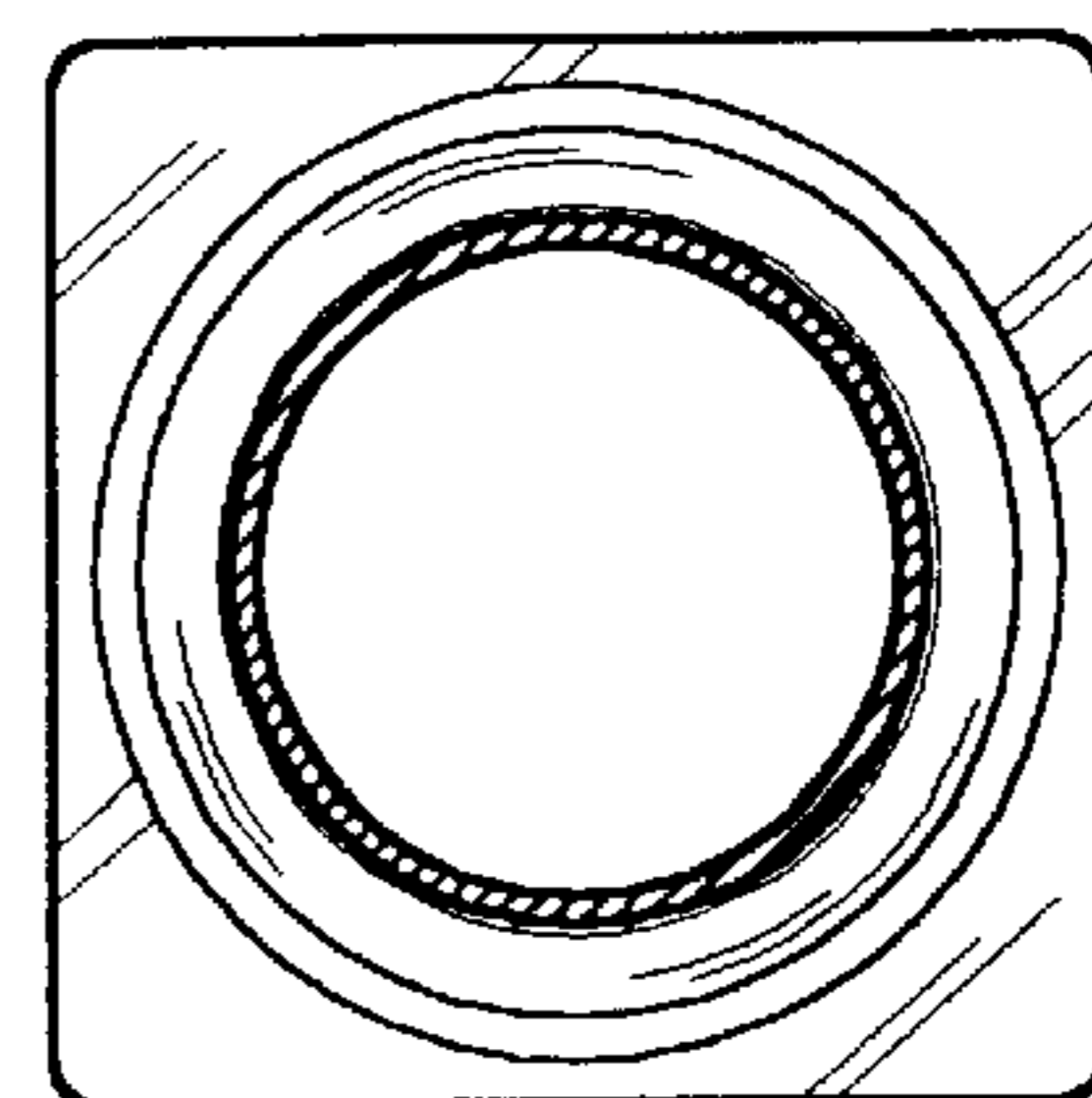


FIG. 5