



US00D470758S

(12) **United States Design Patent**
Bakersmith

(10) **Patent No.:** **US D470,758 S**

(45) **Date of Patent:** **** Feb. 25, 2003**

(54) **GUMBALL DISPENSER**

(75) Inventor: **Karla K. Bakersmith**, Chesterfield,
MO (US)

(73) Assignee: **Scrubs & Beyond, LLC**, St. Louis,
MO (US)

(**) Term: **14 Years**

(21) Appl. No.: **29/168,923**

(22) Filed: **Oct. 11, 2002**

(51) **LOC (7) Cl.** **09-07**

(52) **U.S. Cl.** **D9/305**

(58) **Field of Search** D9/305, 306, 302,
D9/442; D7/589, 590; D15/82; D20/7, 8,
9, 1-6; 221/92, 128, 155, 196, 281, 284;
194/350; D24/117, 118; 383/105, 104, 107,
119, 120, 121

(56) **References Cited**

U.S. PATENT DOCUMENTS

D264,593 S	*	5/1982	Lyons	D7/589
D290,005 S		5/1987	O'Rourke		
D291,491 S	*	8/1987	Larkin	D24/118
D319,558 S		9/1991	DeRegt		
D324,566 S	*	3/1992	Sutmidt et al.	D24/118
D343,095 S		1/1994	Wass		
D347,890 S		6/1994	Eads		
D379,906 S		6/1997	Burin et al.		
D393,282 S		4/1998	Hutchinson et al.		
D395,452 S	*	6/1998	August	D20/7
D398,054 S	*	9/1998	Eek	D24/118
D404,431 S		1/1999	Hoffmann et al.		
D407,442 S		3/1999	Thai		
D413,258 S	*	8/1999	Vollor	D9/305

D446,817 S 8/2001 Grill
D448,050 S 9/2001 Humphrey
D451,768 S 12/2001 Walker
D455,189 S 4/2002 Bradbury

* cited by examiner

Primary Examiner—Paula A. Mortimer

(74) *Attorney, Agent, or Firm*—Blumenfeld, Kaplan & Sandweiss, P.C.

(57) **CLAIM**

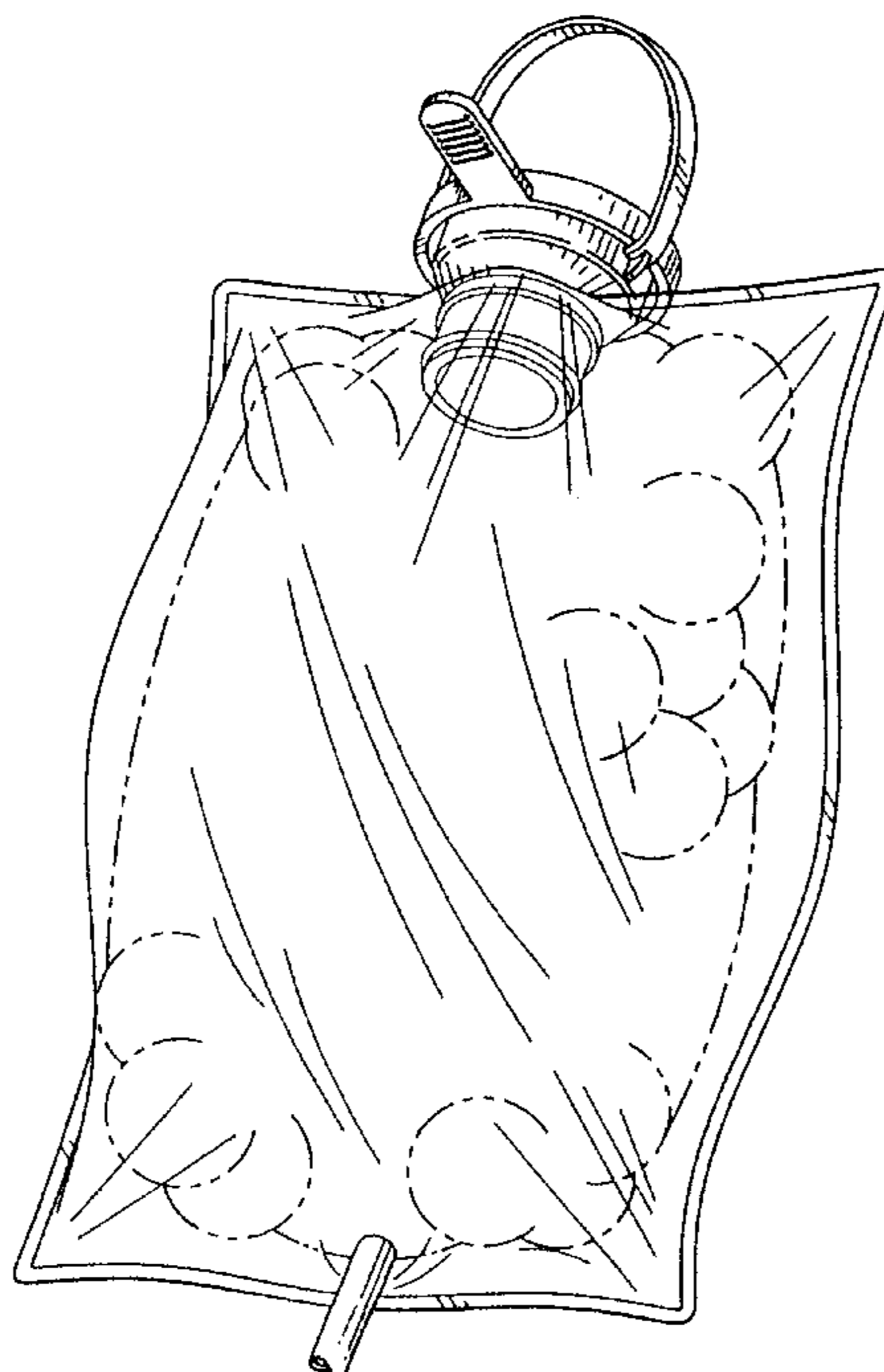
The ornamental design for a gumball dispenser, as shown and described.

DESCRIPTION

FIG. 1 is an isometric view of the gumball dispenser showing my new design;
FIG. 2 is a front elevational view bag portion thereof, which holds the gumballs or other candy;
FIG. 3 is a rear elevational view thereof;
FIG. 4 is a left side elevational view thereof;
FIG. 5 is a right side elevational view thereof;
FIG. 6 is a top plan view thereof;
FIG. 7 is a bottom plan view thereof;
FIG. 8 is a magnified view of the end portion shown in FIG. 1;
FIG. 9 is a magnified view of the portion shown and designated in FIG. 1; and,
FIG. 10 is a magnified view of the clamp portion shown in FIG. 1.

The broken lines in FIGS. 1 through 7 of the gumballs are for illustrative purposes only, showing where the gumballs or other candy are typically stored, and themselves form no part of the claimed design.

1 Claim, 8 Drawing Sheets



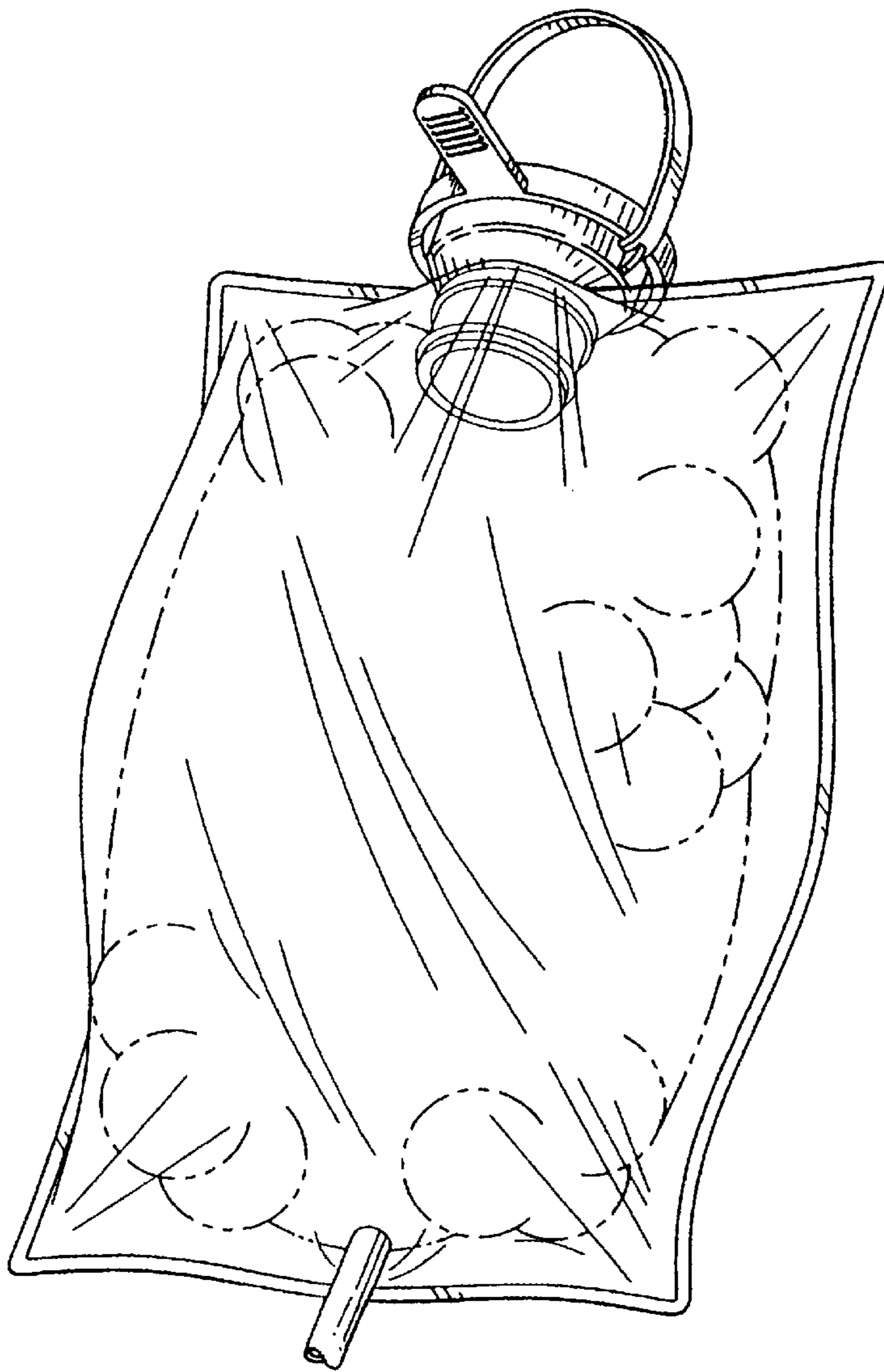


FIG. 1

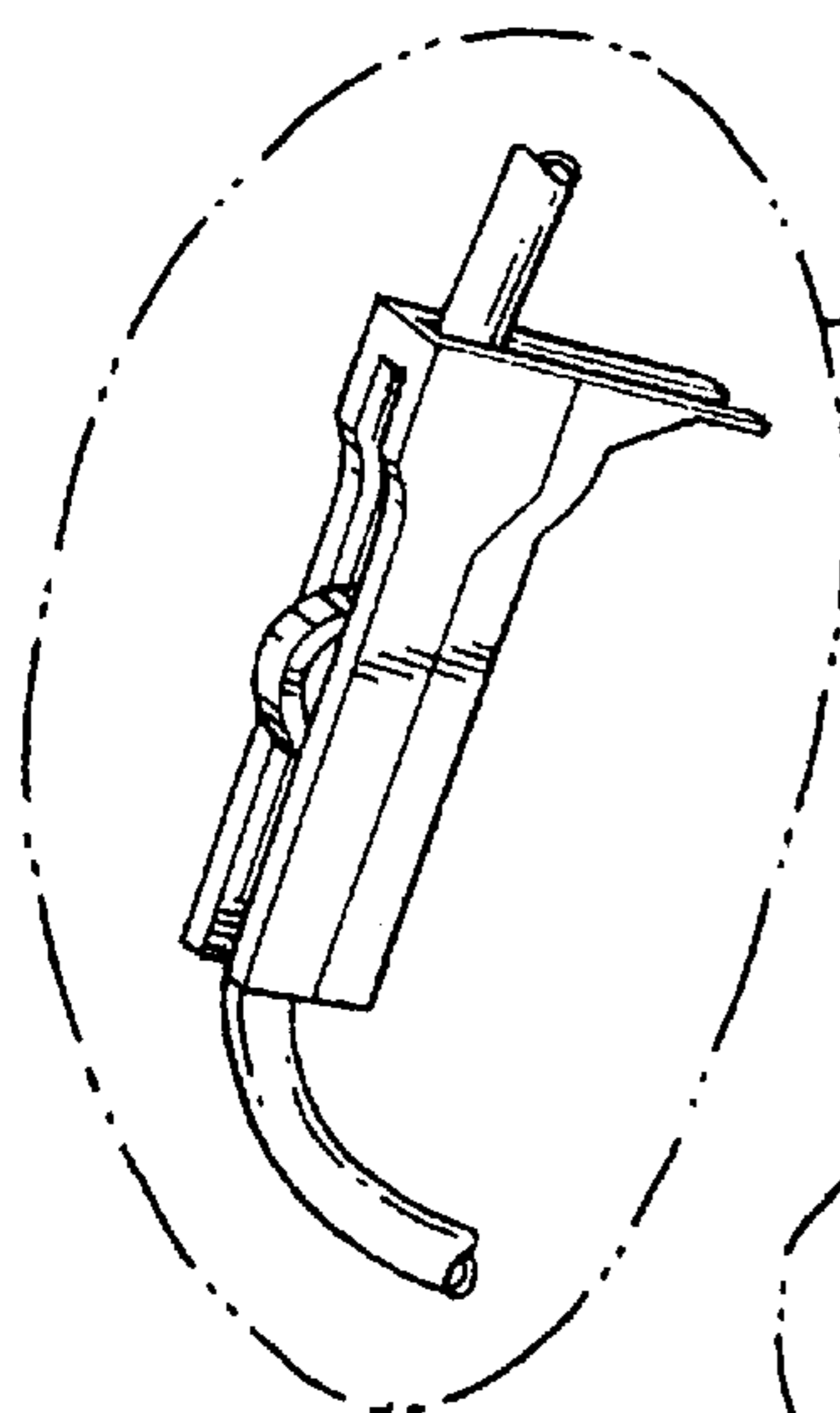


FIG. 10

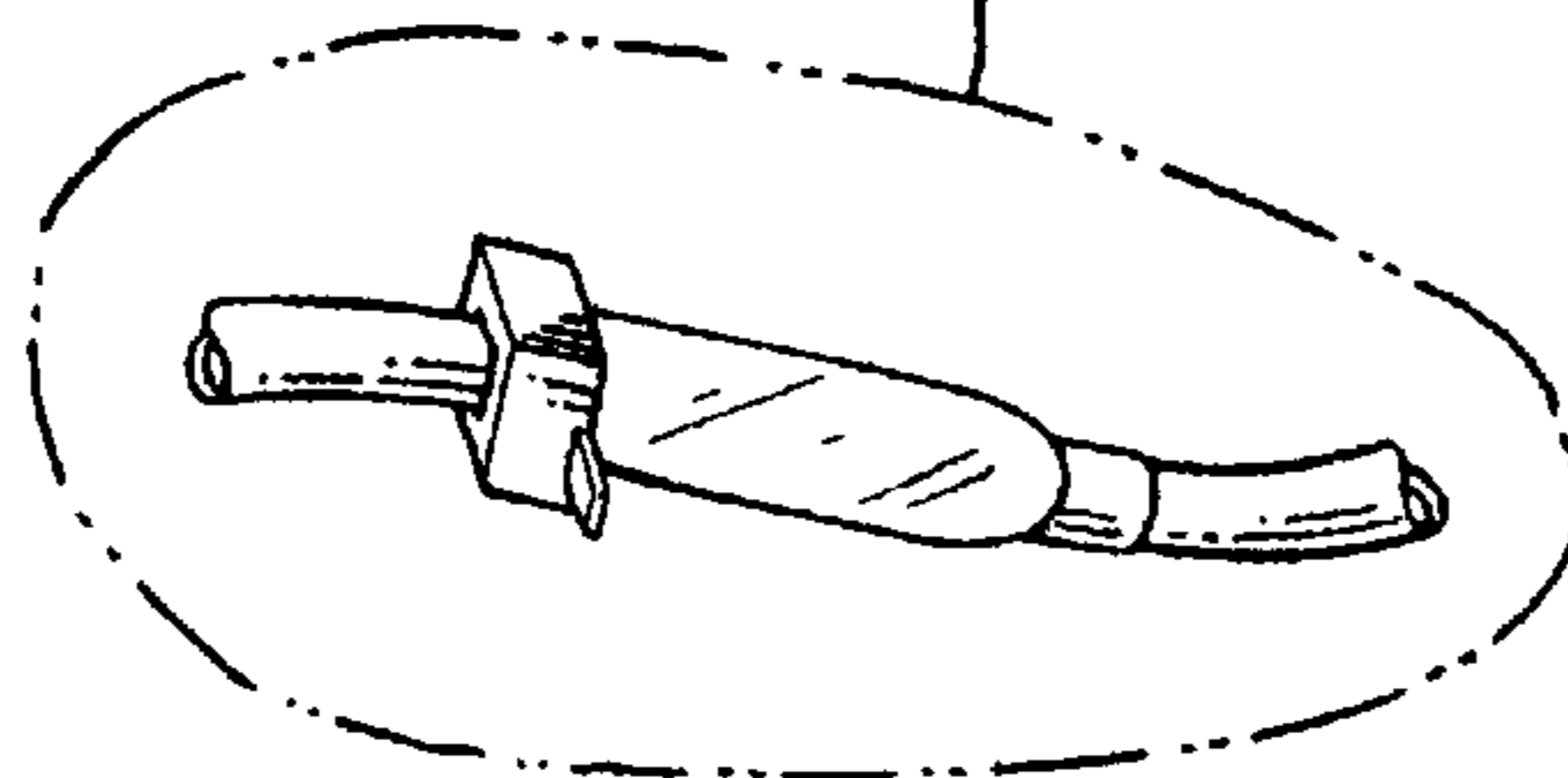


FIG. 9

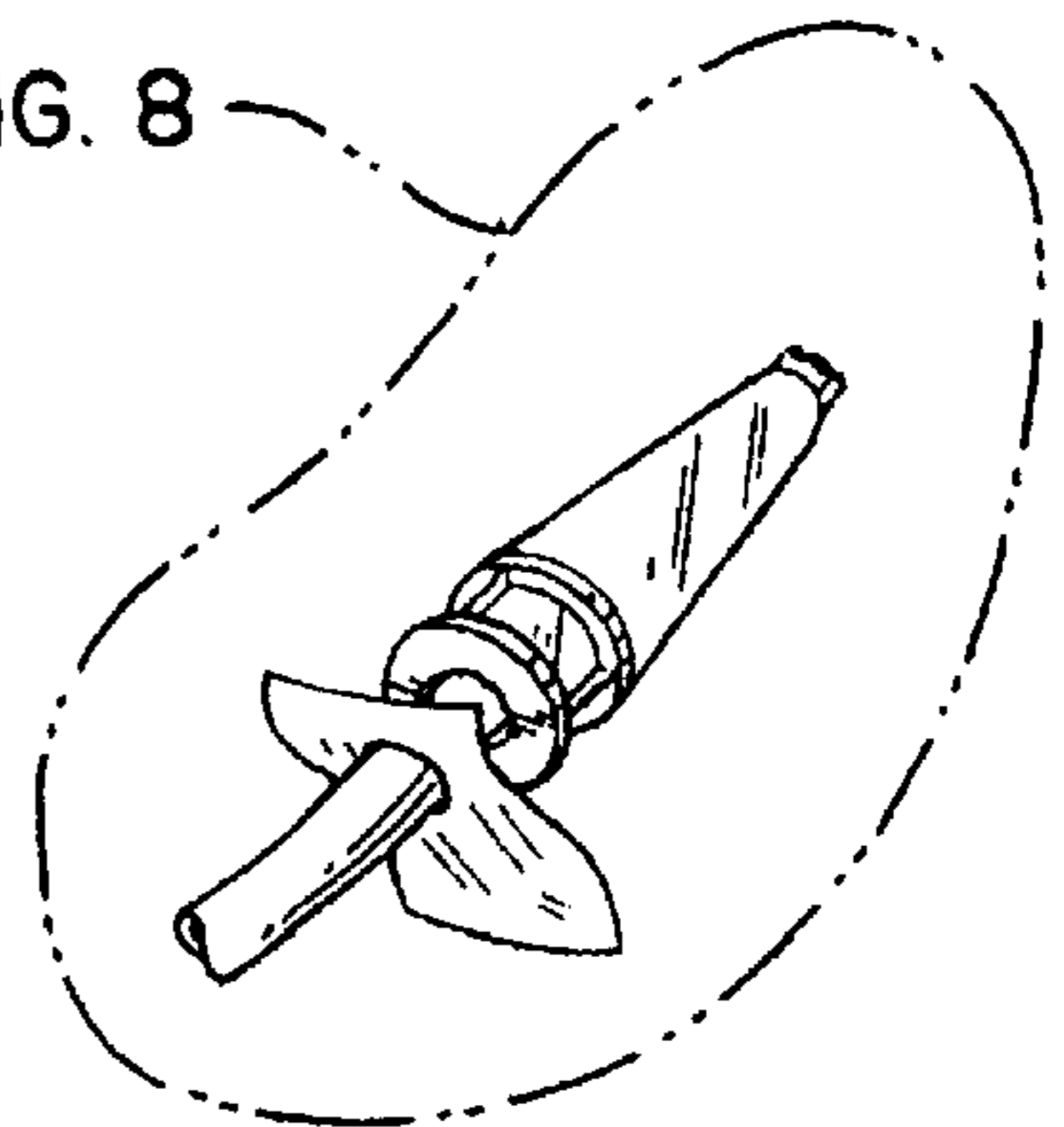


FIG. 8

FIG. 2

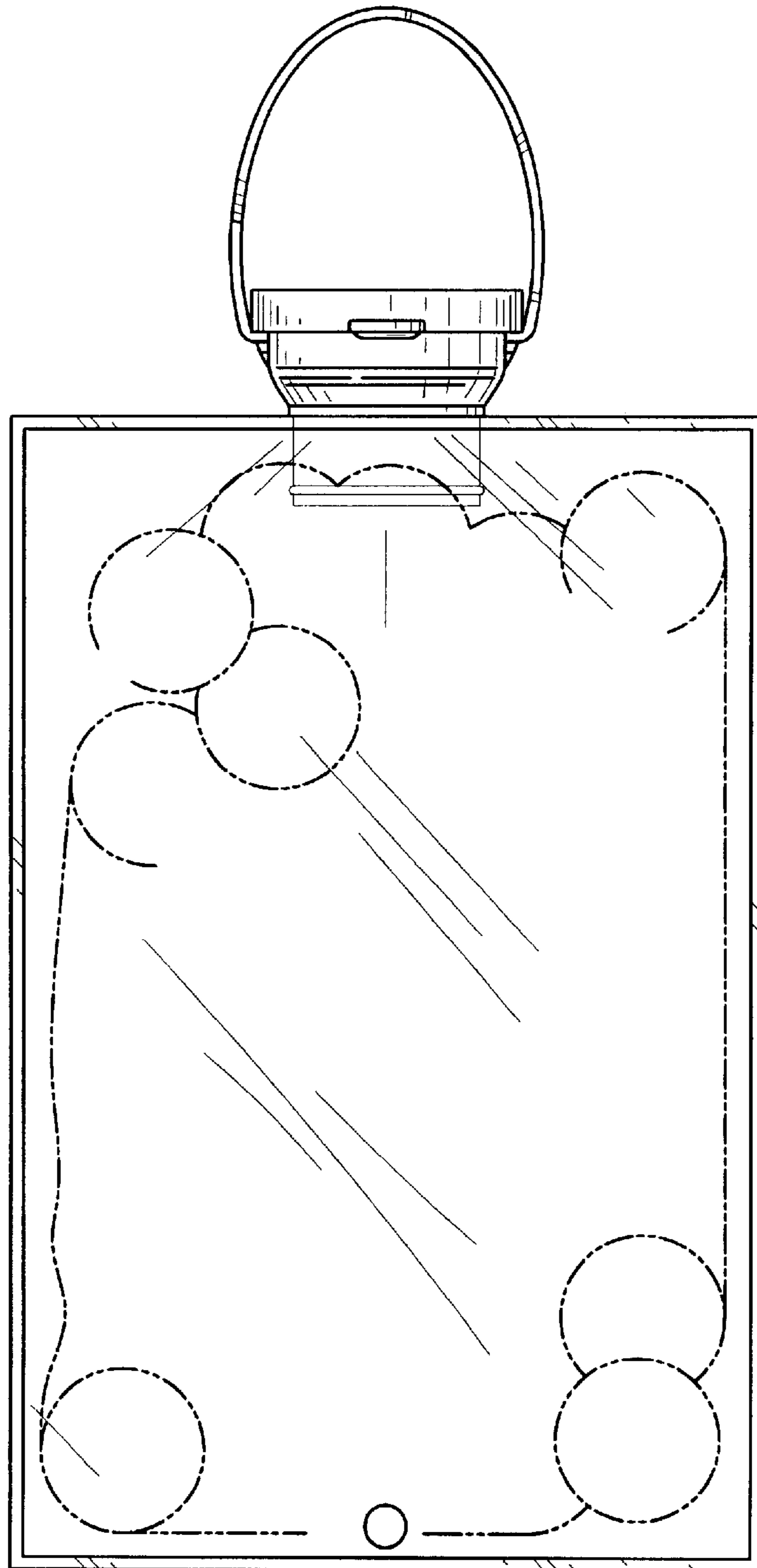


FIG. 3

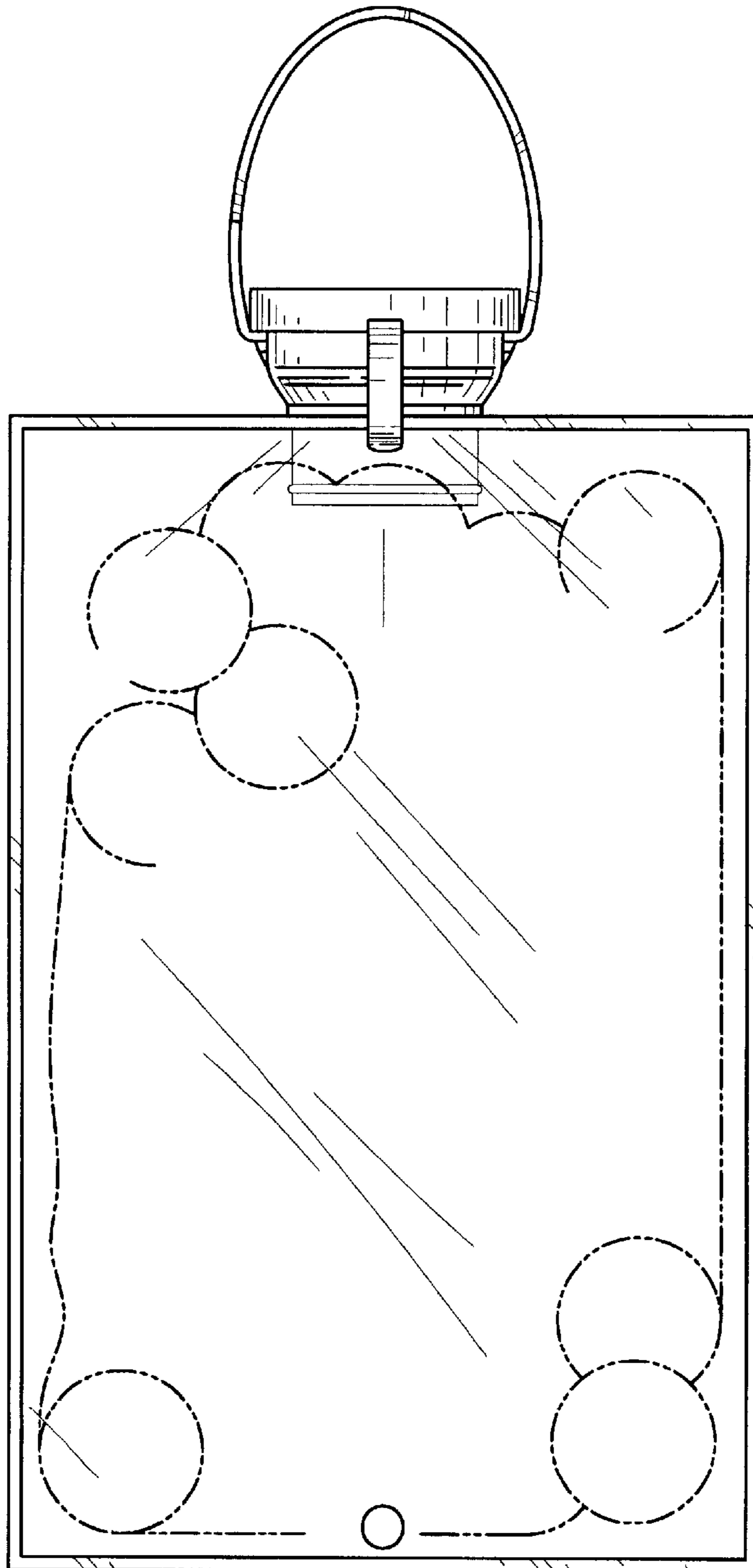


FIG. 4

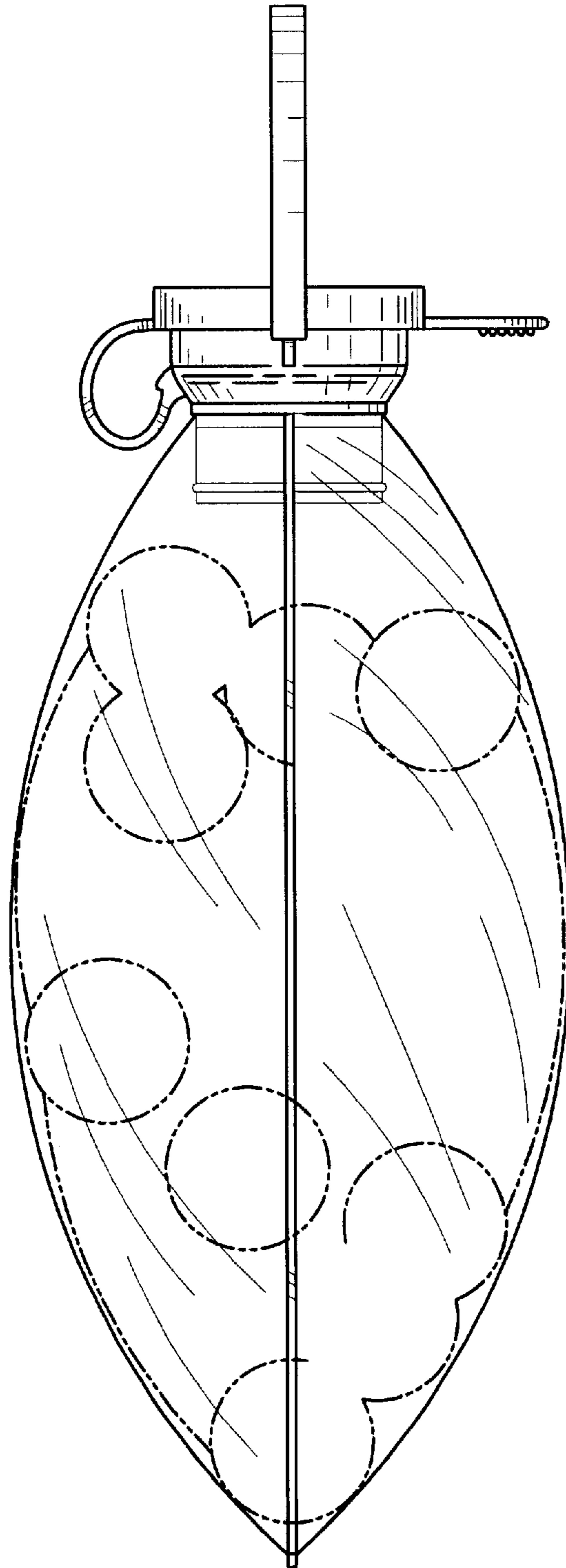


FIG. 5

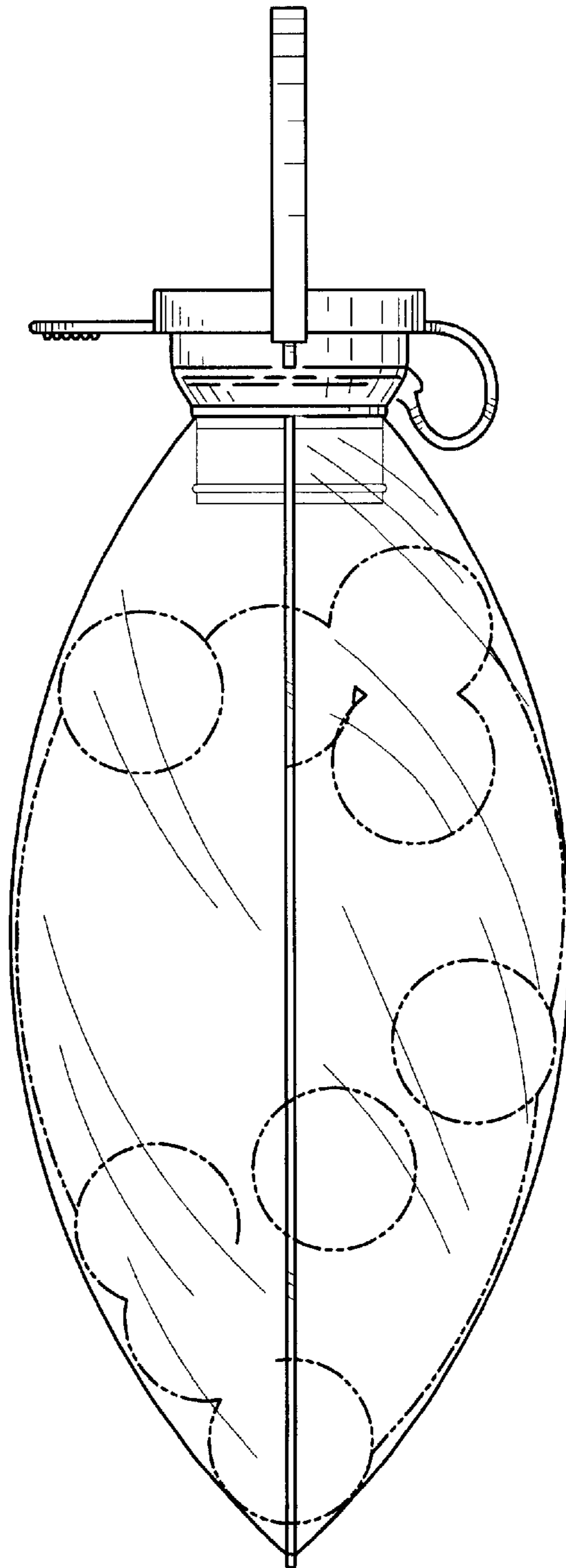


FIG. 6

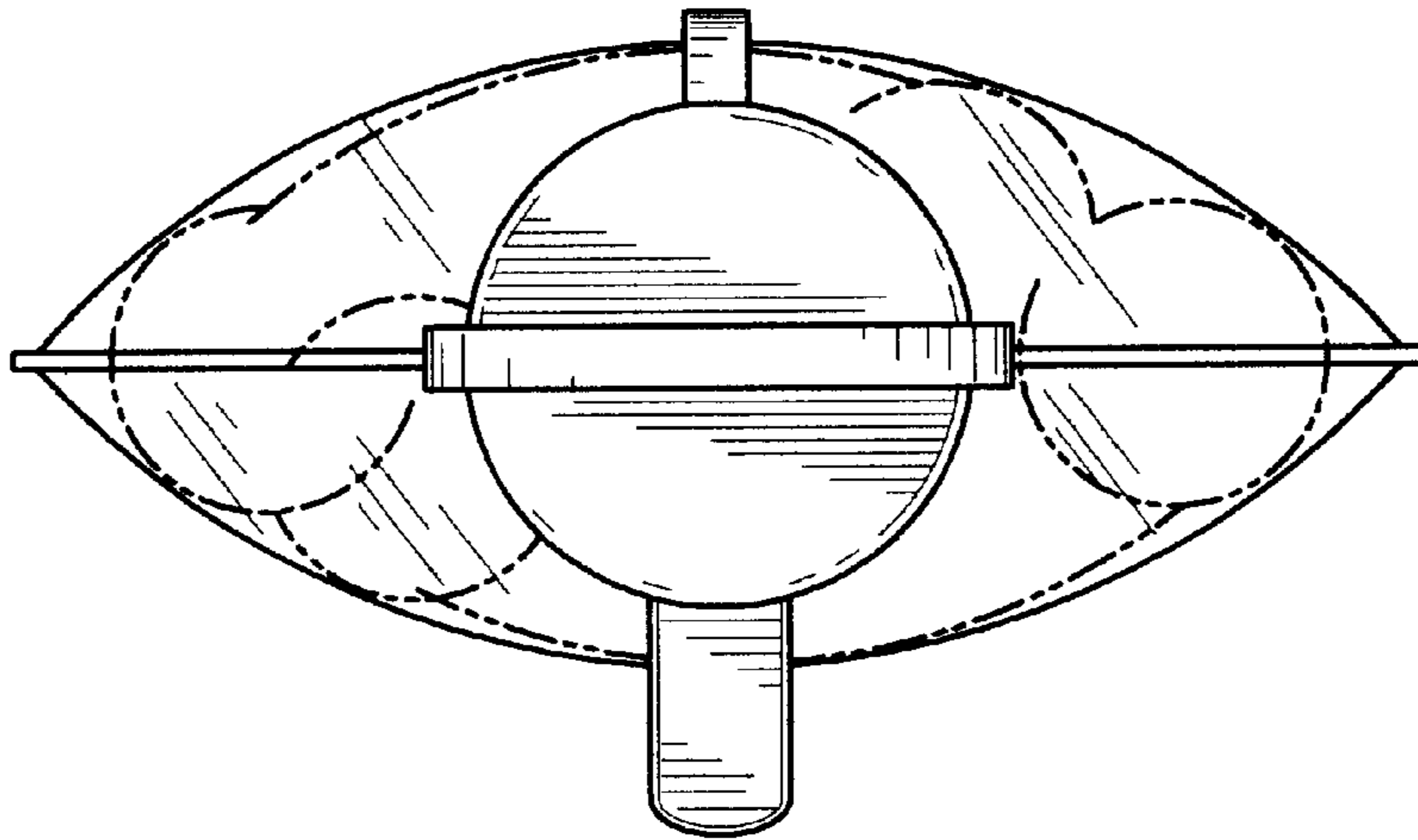


FIG. 7

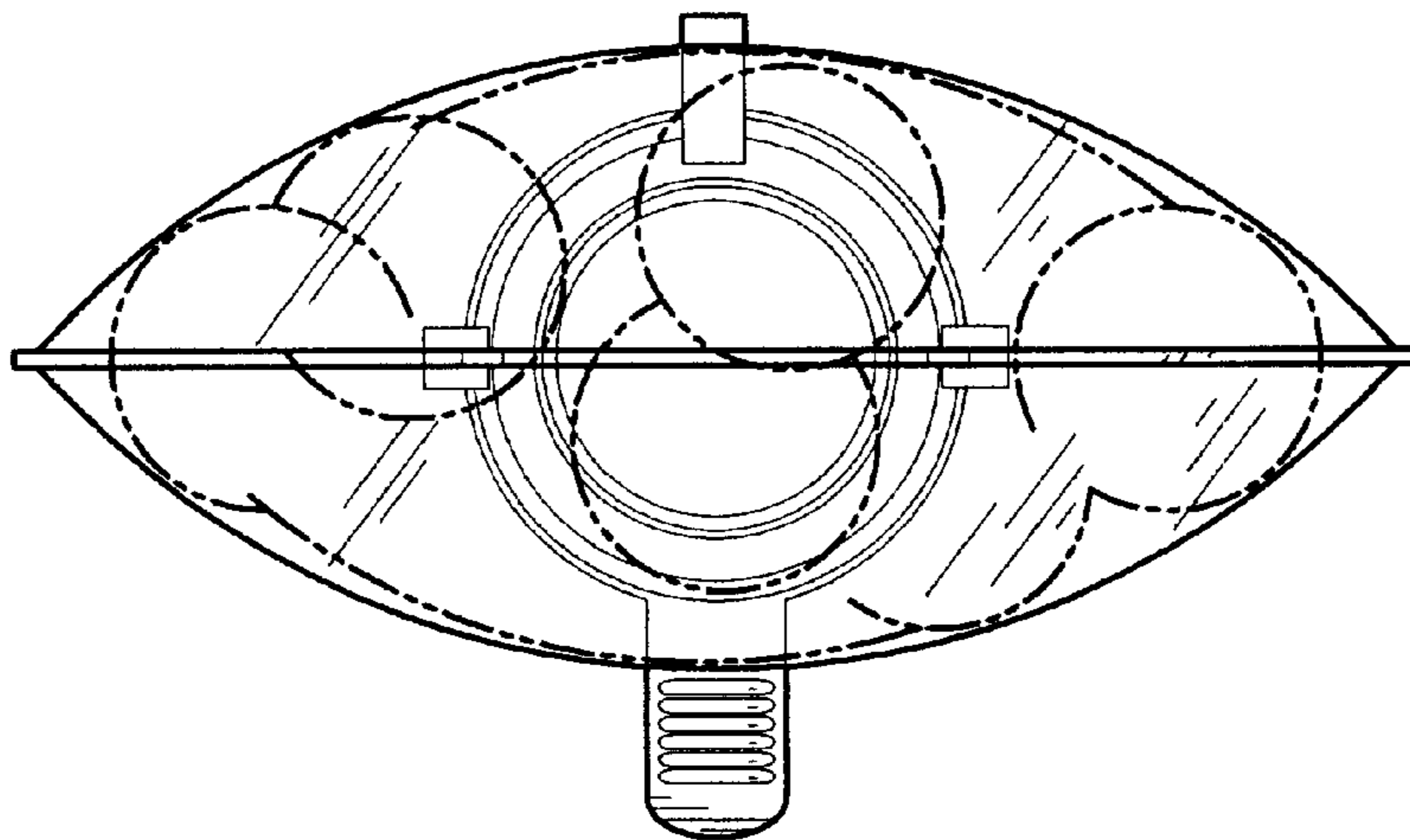


FIG. 8

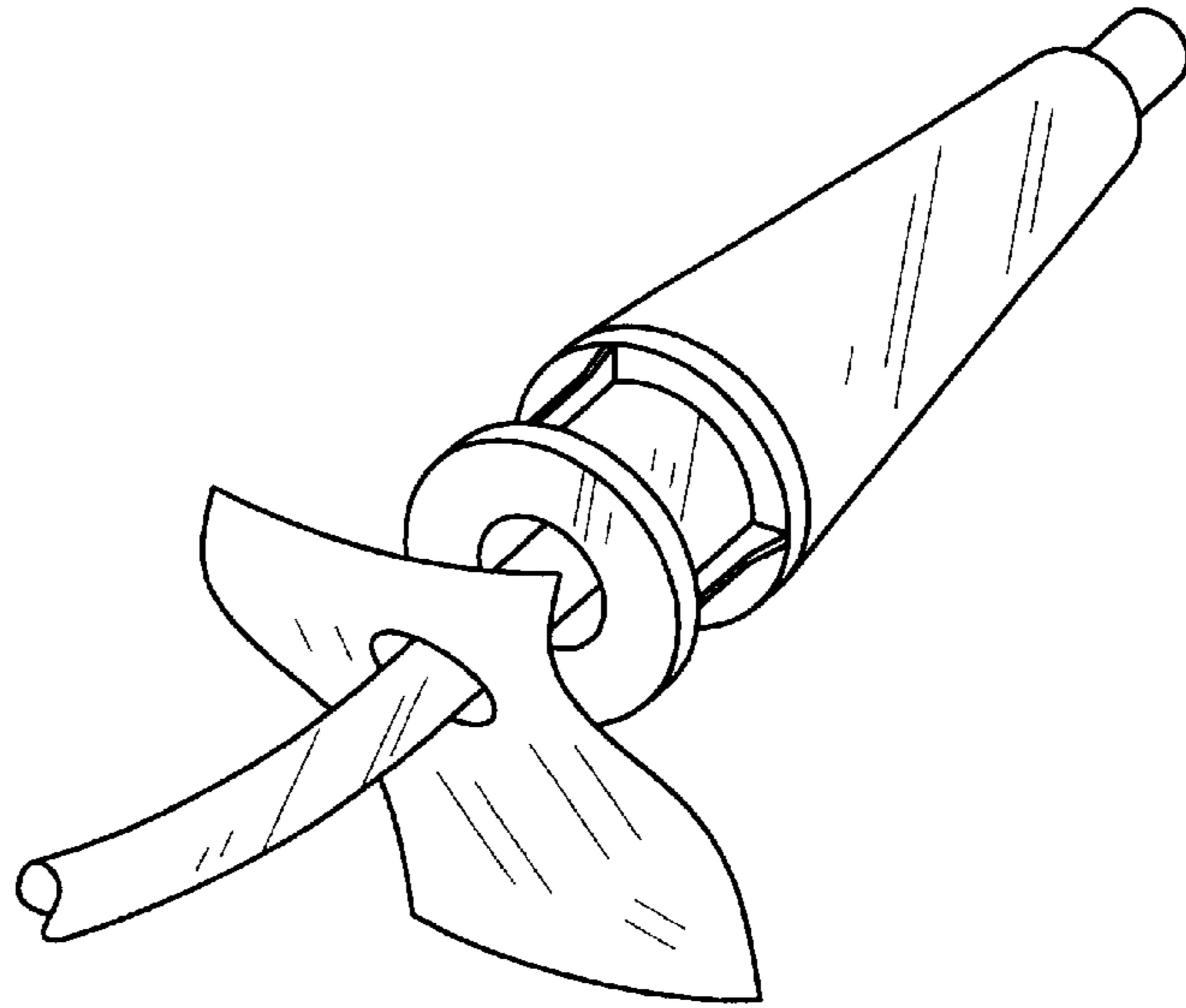


FIG. 9

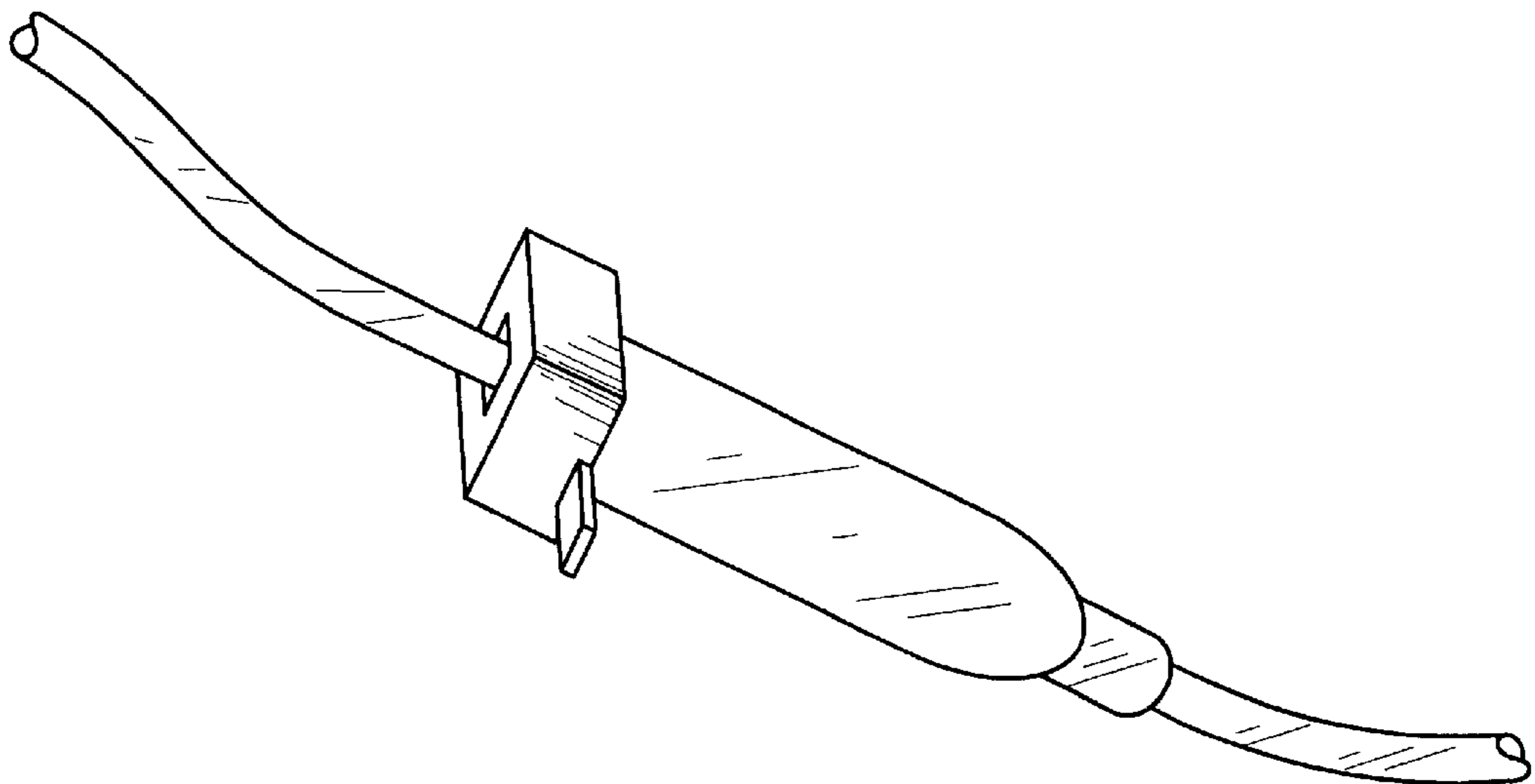


FIG. 10

