



US00D470745S

(12) **United States Design Patent**
Gast

(10) **Patent No.:** **US D470,745 S**

(45) **Date of Patent:** **** Feb. 25, 2003**

(54) **LOCK COVER**

D432,393 S * 10/2000 Gast D8/346

D446,441 S * 8/2001 Brake D8/346

D455,639 S * 4/2002 McDaid et al. D8/346

(75) Inventor: **Robert L. Gast**, Foothill Ranch, CA
(US)

* cited by examiner

(73) Assignee: **Hampton Products International Corporation**, Foothill Ranch, CA (US)

Primary Examiner—Brian N. Vinson

(74) *Attorney, Agent, or Firm*—William G. Lane

(**) Term: **14 Years**

(57) **CLAIM**

(21) Appl. No.: **29/148,576**

The ornamental design for the lock cover, as shown and described.

(22) Filed: **Sep. 21, 2001**

DESCRIPTION

(51) **LOC (7) Cl.** **08-07**

(52) **U.S. Cl.** **D8/346**

(58) **Field of Search** D8/334, 343, 346;
70/51, 52, 54, 55, 56, 63

FIG. 1 is a top, front perspective view of the lock cover of the present invention;

FIG. 2 is a plan view of the lock cover;

FIG. 3 is a right side view of the lock cover;

FIG. 4 is a left side view of the lock cover;

FIG. 5 is a back plan view of the lock cover;

FIG. 6 is a top view of the lock cover; and,

FIG. 7 is a bottom view of the lock cover.

The broken-line disclosure of a padlock in the views is for illustrative purposes only and forms no part of the claimed design.

(56) **References Cited**

U.S. PATENT DOCUMENTS

4,224,813 A * 9/1980 Hampton 70/51

D325,158 S * 4/1992 Lebrecht D8/346

5,704,231 A * 1/1998 Heald 70/54

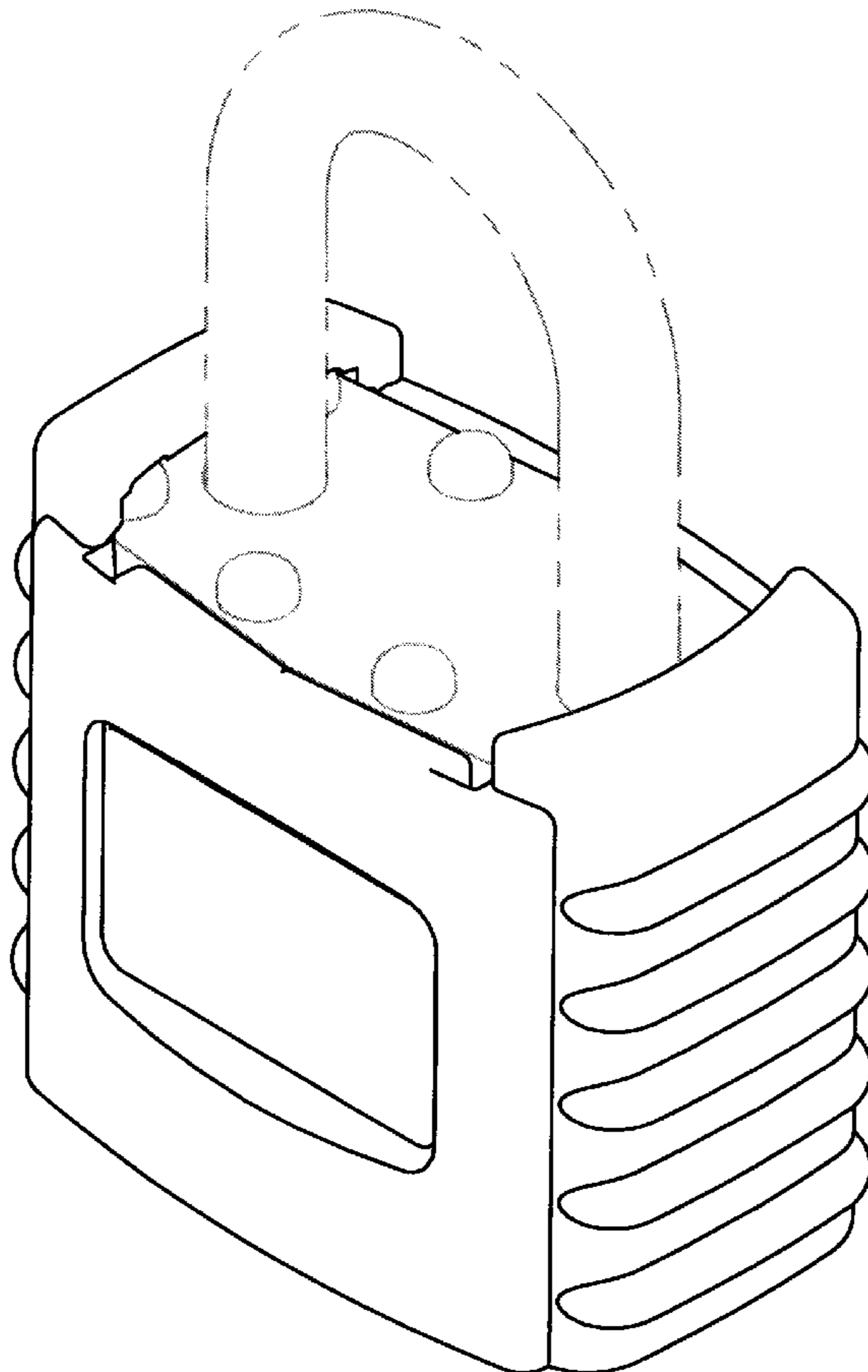
D400,078 S * 10/1998 Adelmeyer D8/346

D402,878 S * 12/1998 Liu D8/346

D406,045 S * 2/1999 Turner D8/346

D431,769 S * 10/2000 Gast D8/346

1 Claim, 3 Drawing Sheets



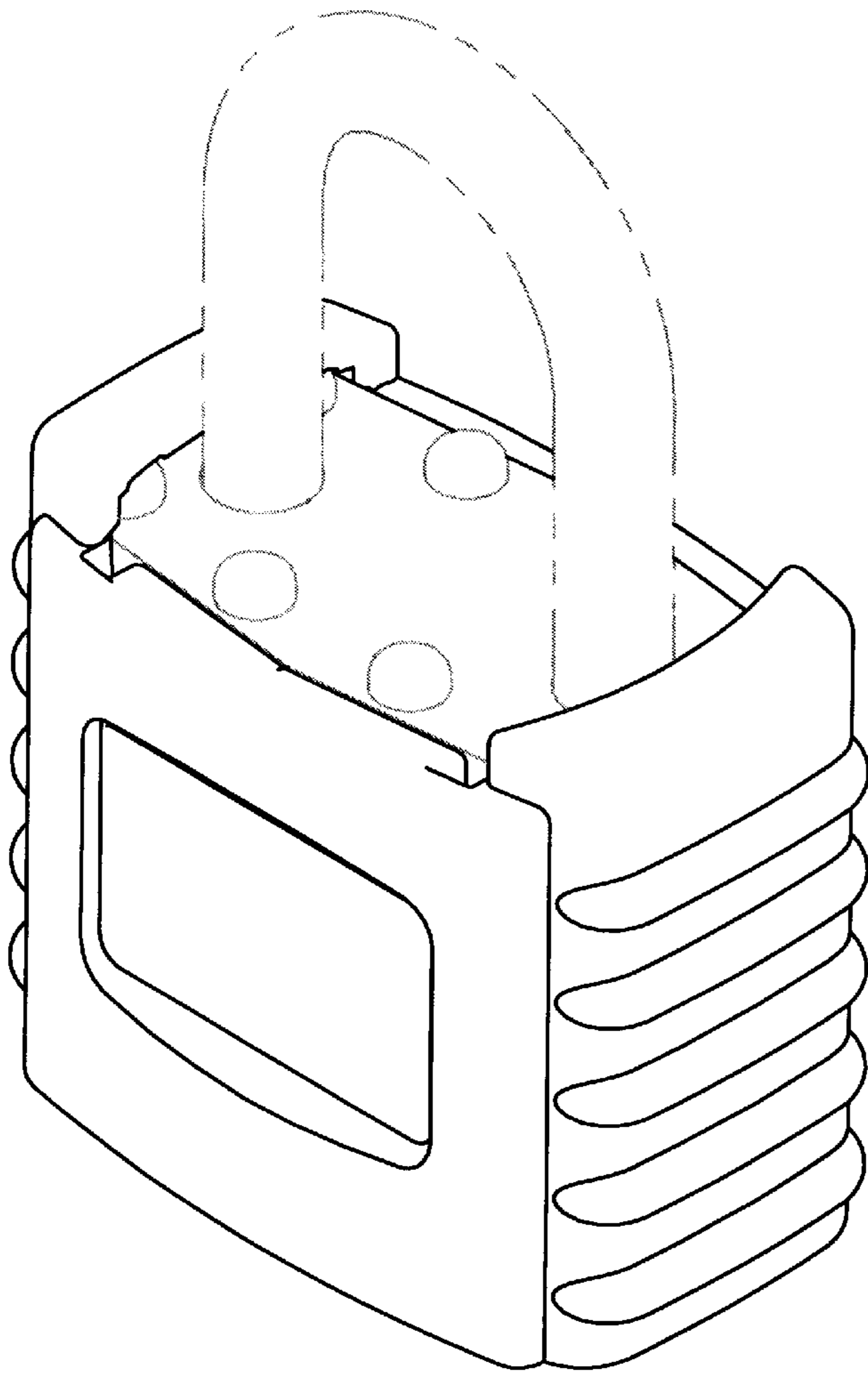


Fig. 1

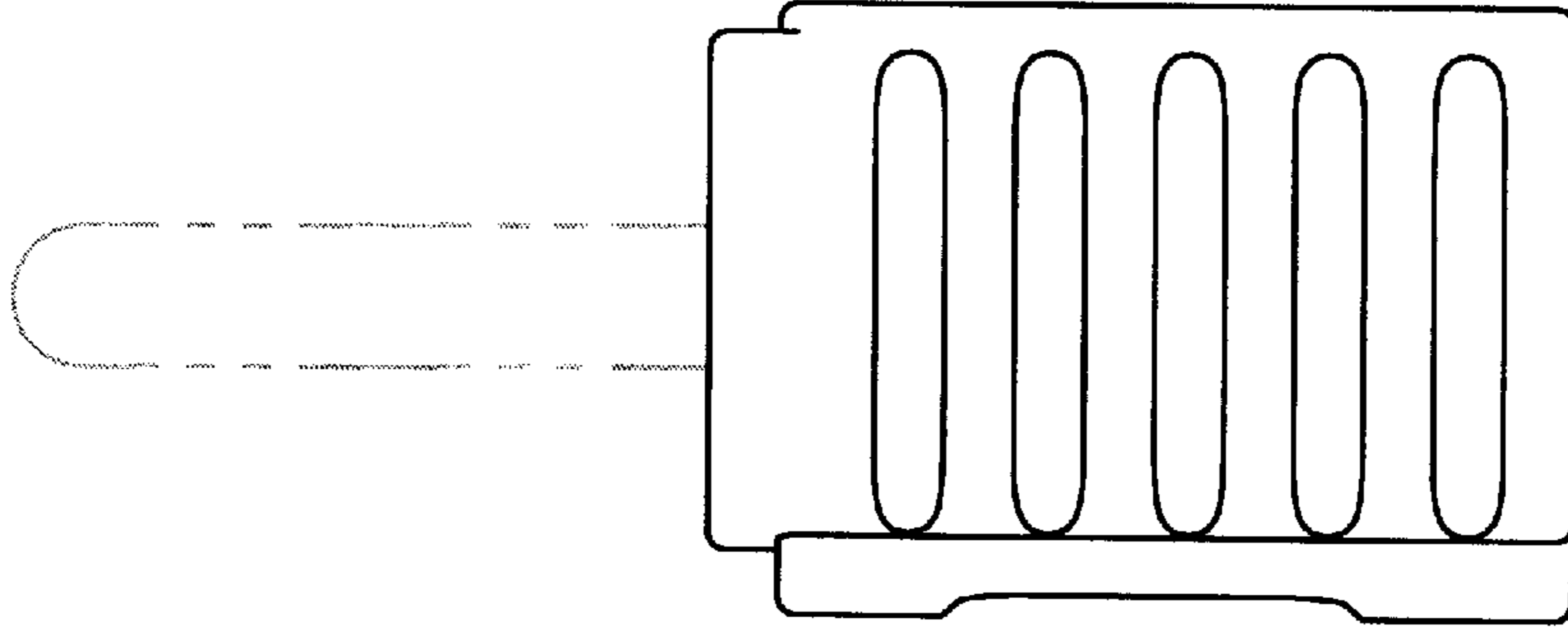


FIG. 3

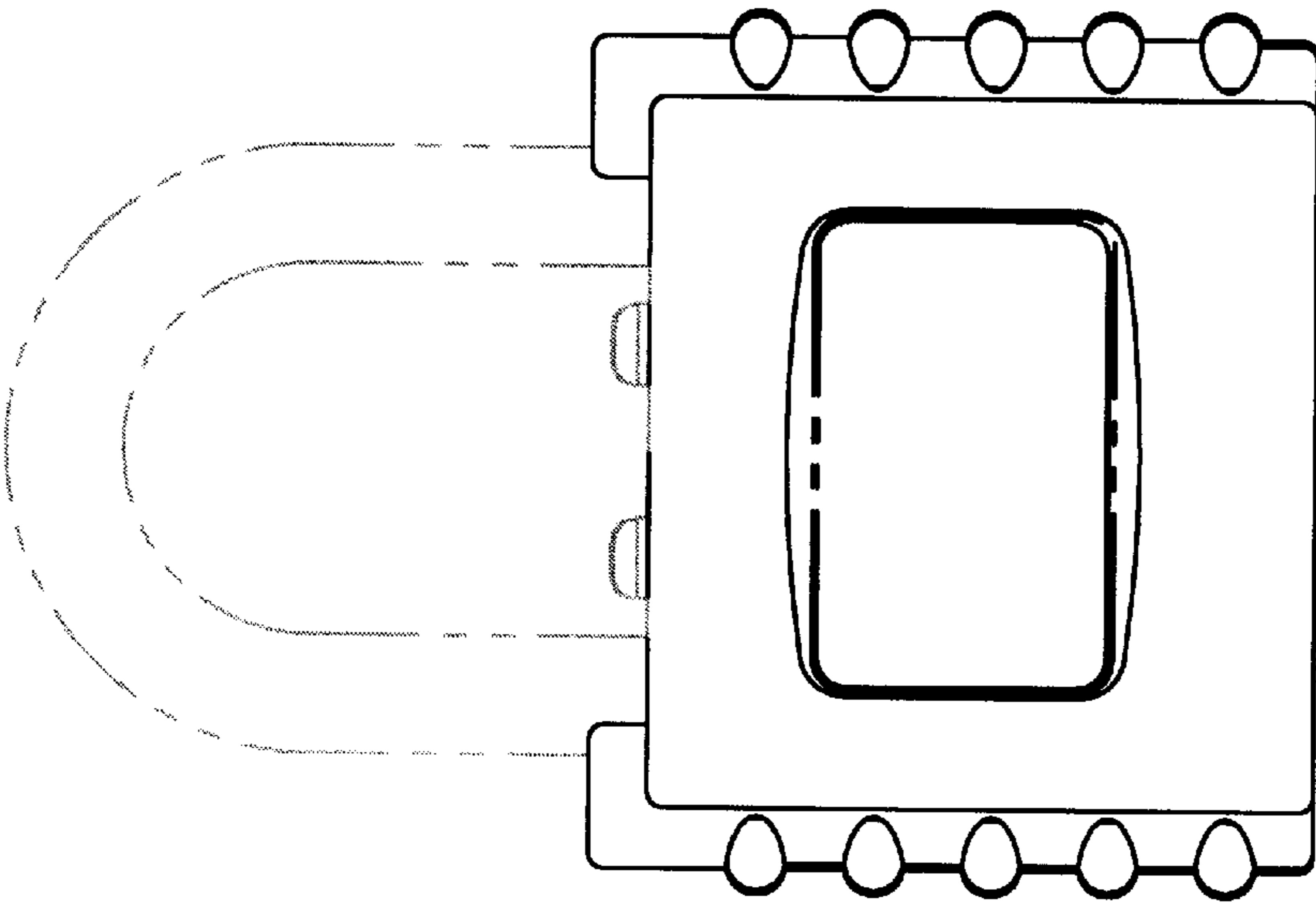


FIG. 2

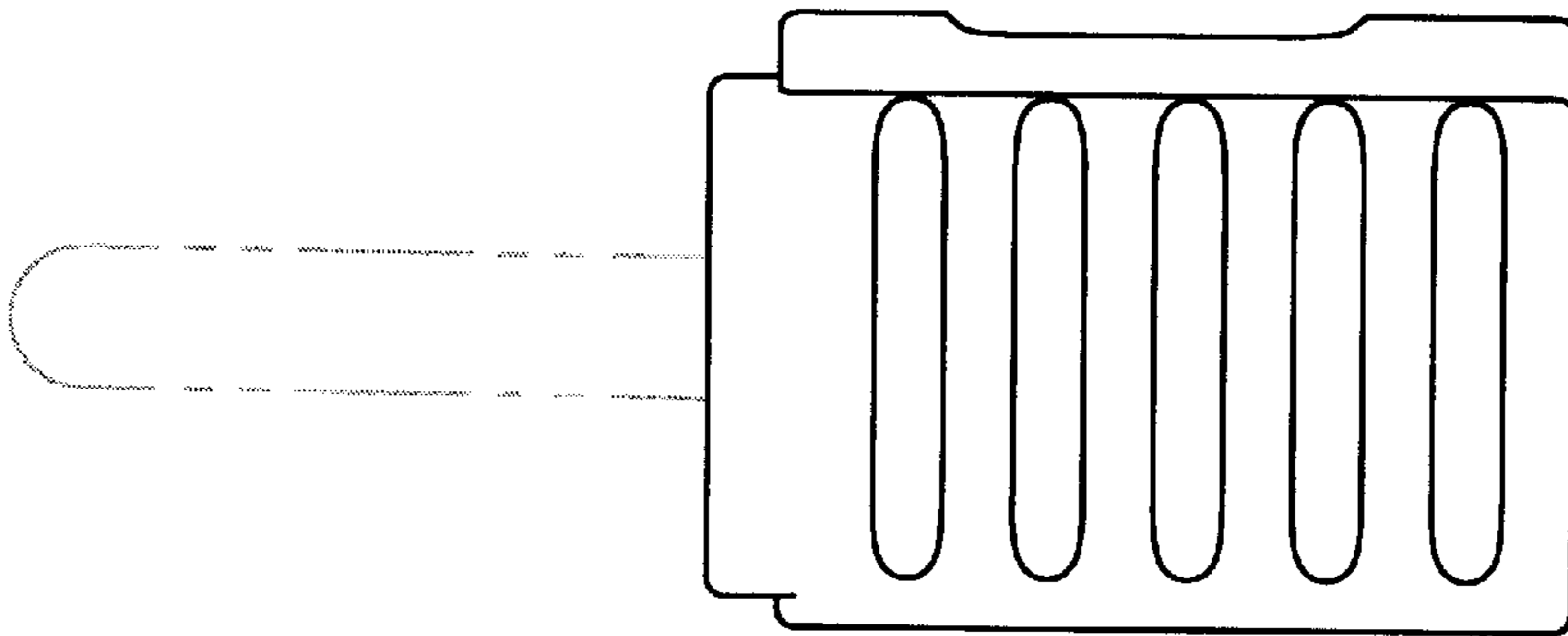


FIG. 4

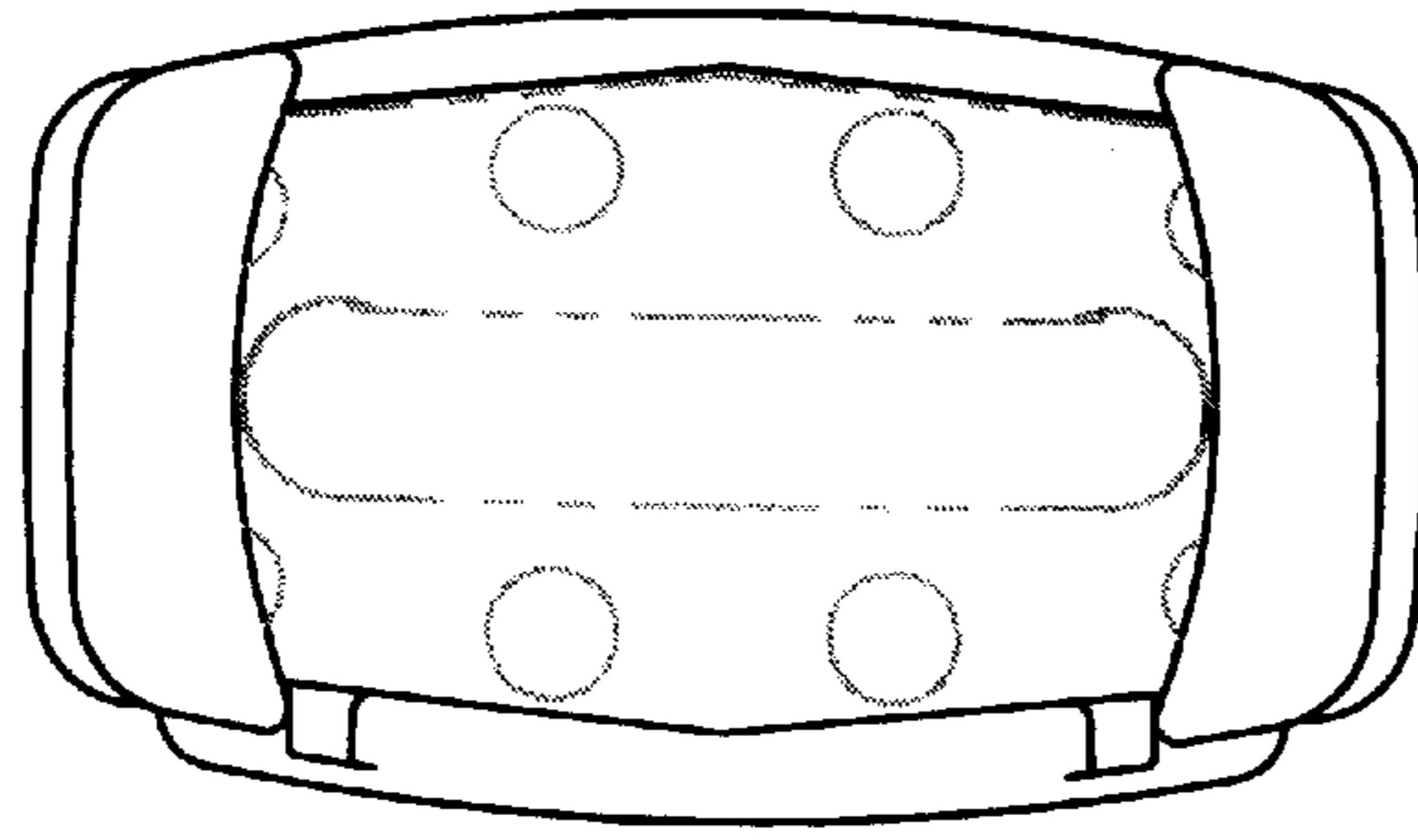


Fig. 6

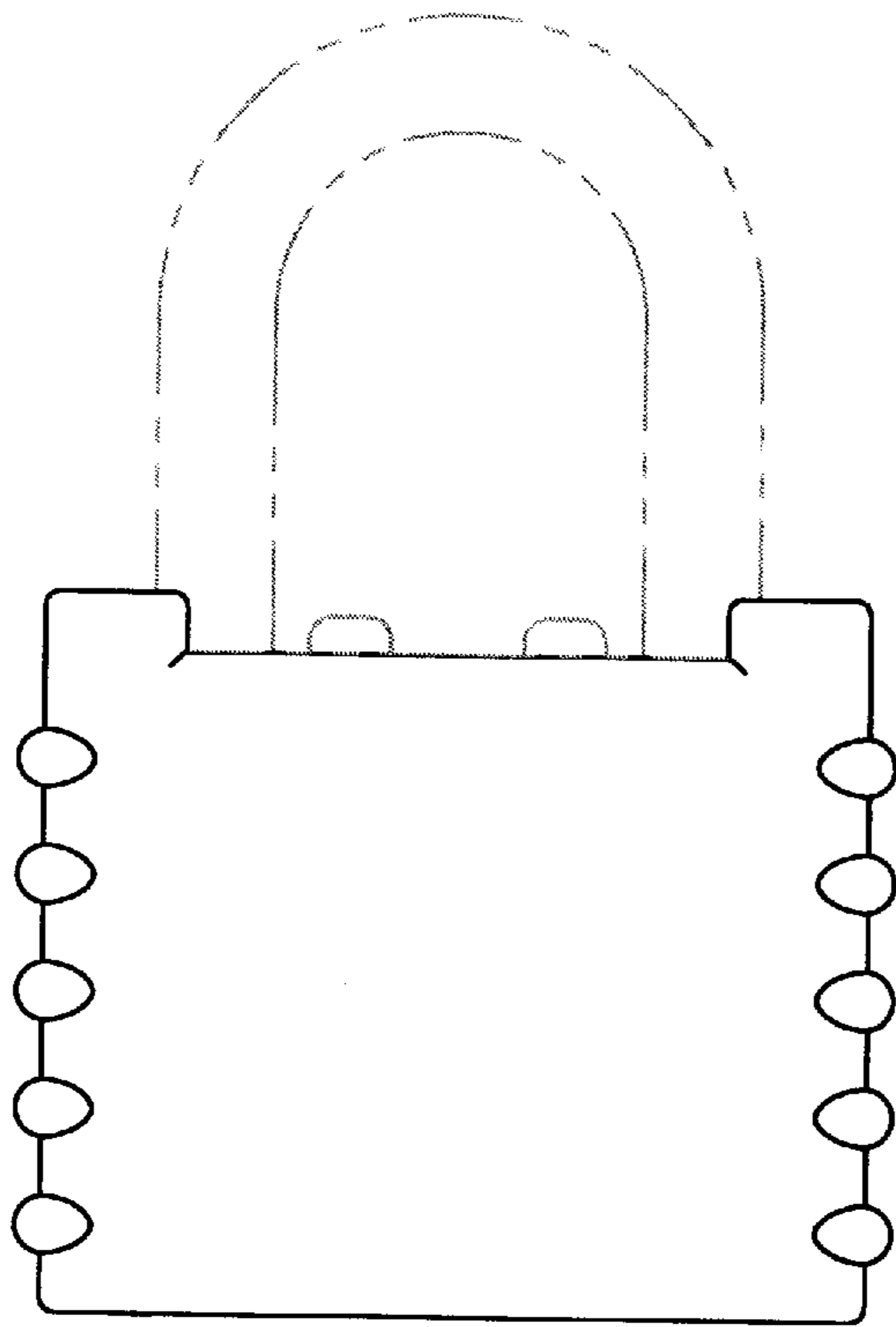


Fig. 5

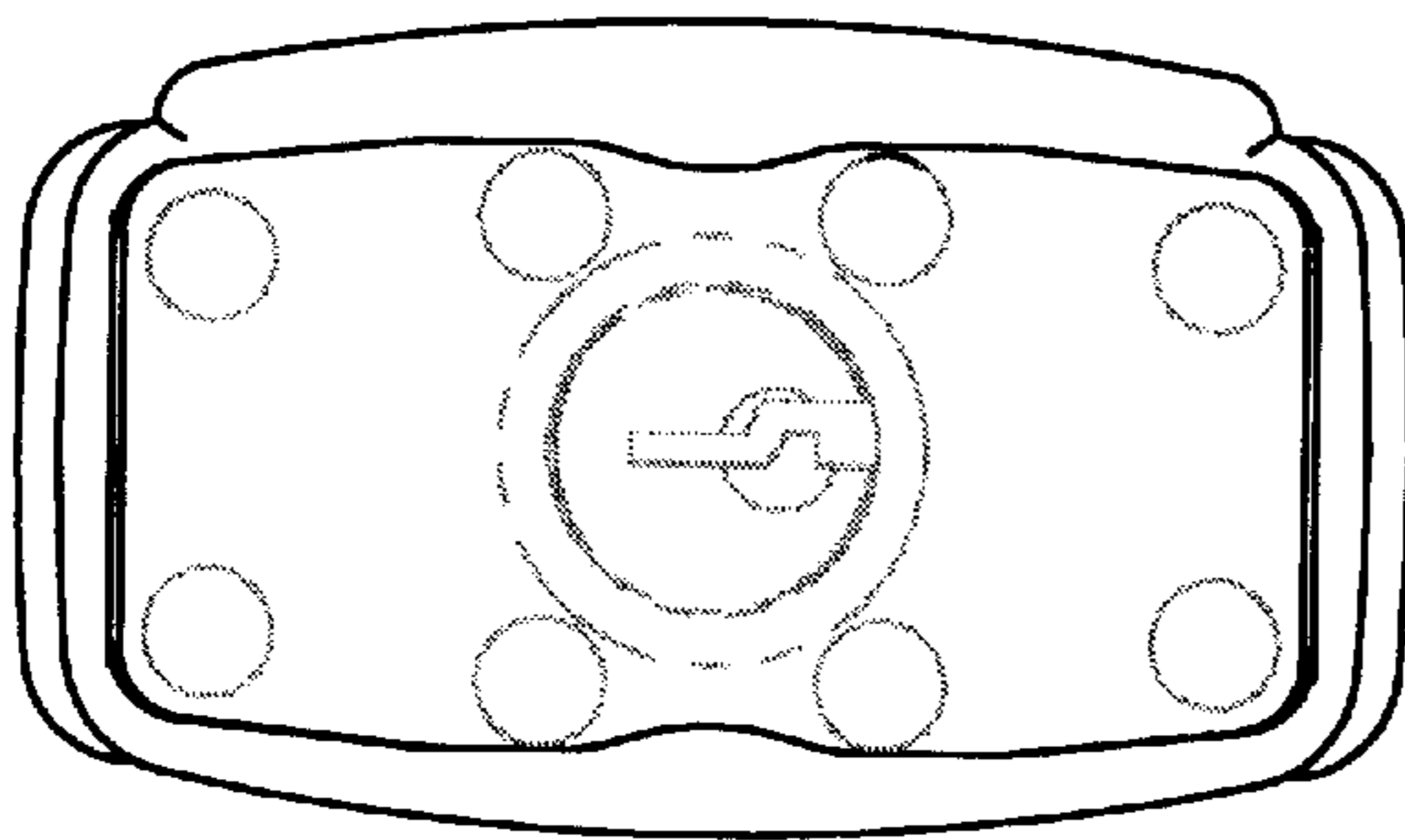


Fig. 7