



US00D470743S

(12) **United States Design Patent**
Koy

(10) **Patent No.:** **US D470,743 S**

(45) **Date of Patent:** **** Feb. 25, 2003**

(54) **PADLOCK**

(75) Inventor: **Tim Vander Koy**, Mosinee, WI (US)

(73) Assignee: **Fulton Performance Products, Inc.**,
Mosinee, WI (US)

(**) Term: **14 Years**

(21) Appl. No.: **29/161,068**

(22) Filed: **May 21, 2002**

(51) **LOC (7) Cl.** **08-07**

(52) **U.S. Cl.** **D8/334**

(58) **Field of Search** D8/333, 334; 70/20-22,
70/24-29, 35, 41-44, 52

(56) **References Cited**

U.S. PATENT DOCUMENTS

597,980 A	1/1898	Hines	
1,387,750 A	8/1921	Appleton	
1,666,453 A	4/1928	Jakopets	
1,755,521 A	4/1930	Smith	
1,902,665 A	3/1933	Reinhold	
3,345,837 A	10/1967	Barnes	
3,835,675 A *	9/1974	Lippisch	70/52 X
3,908,415 A	9/1975	Foote	
4,532,783 A	8/1985	Maurice	
D315,090 S *	3/1991	Pedersen	D8/334
D353,089 S *	12/1994	Kahonen	D8/334
D356,937 S	4/1995	Hsiao	
D406,043 S *	2/1999	LeClaire	D8/334
D423,908 S	5/2000	Liu	
D429,993 S	8/2000	Liu	
D432,391 S *	10/2000	Heppner	D8/334

* cited by examiner

Primary Examiner—Brian N. Vinson

(74) *Attorney, Agent, or Firm*—Robert H. Earp, III; John S. Cipolla; McDonald, Hopkins, Burke & Haber LPA

(57) **CLAIM**

The ornamental design for a padlock, as shown and described.

DESCRIPTION

FIG. 1 is a perspective view as seen from the top, front, and left side of a first embodiment of a padlock showing my new design, wherein the first embodiment of the padlock is shown in a first, locked position;

FIG. 2 is a front elevational view thereof, the rear elevational view thereof being a mirror image of the front elevational view;

FIG. 3 is a bottom plan view thereof;

FIG. 4 is a top plan view thereof;

FIG. 5 is a left side elevational view thereof; and

FIG. 6 is a right side elevational view thereof.

FIG. 7 is a perspective view as seen from the top, front, and left side of a second embodiment of a padlock showing my new design, wherein the second embodiment of the padlock is shown in a second, locked position;

FIG. 8 is a front elevational view thereof, the rear elevational view thereof being a mirror image of the front elevational view;

FIG. 9 is a bottom plan view thereof;

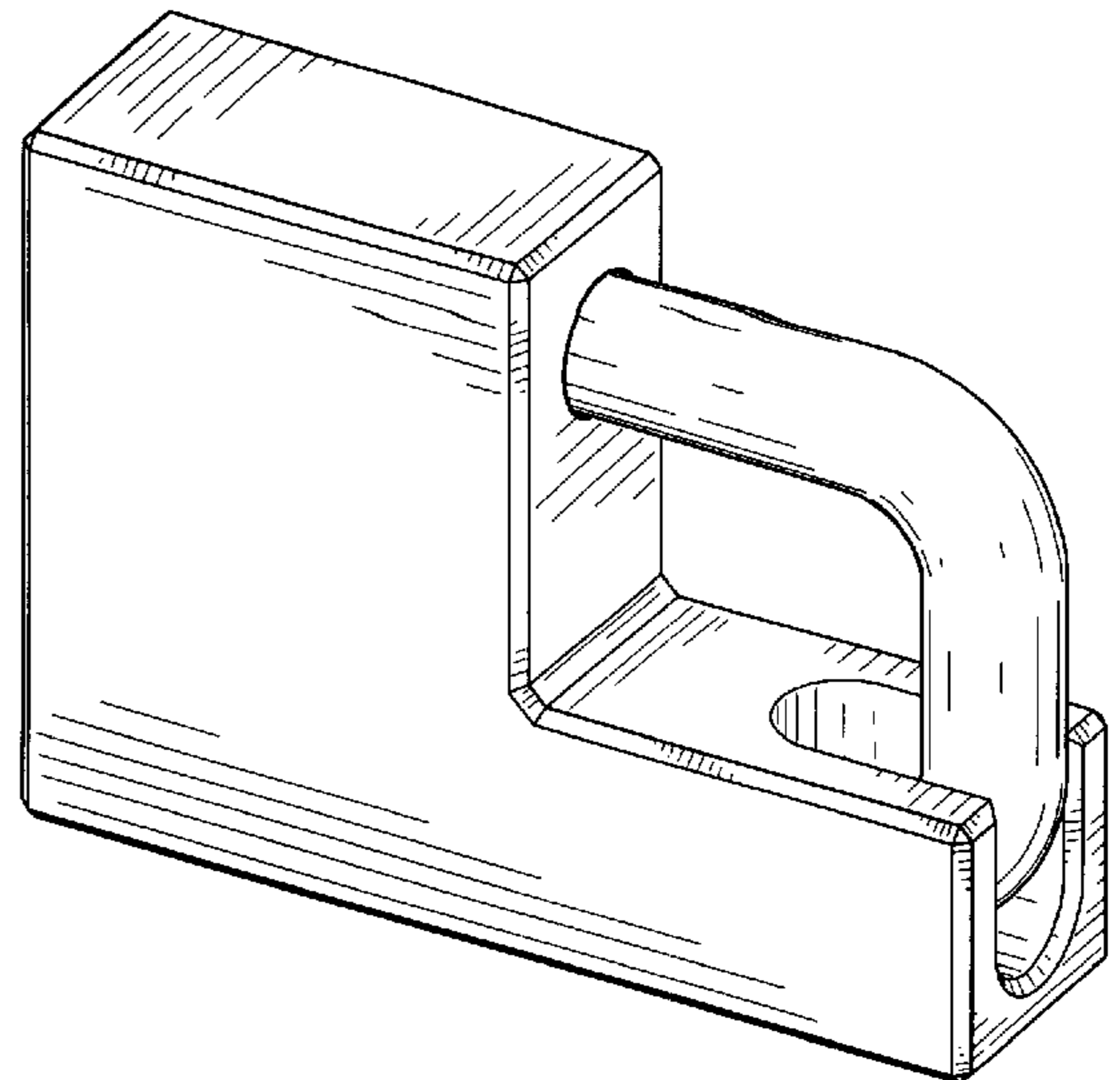
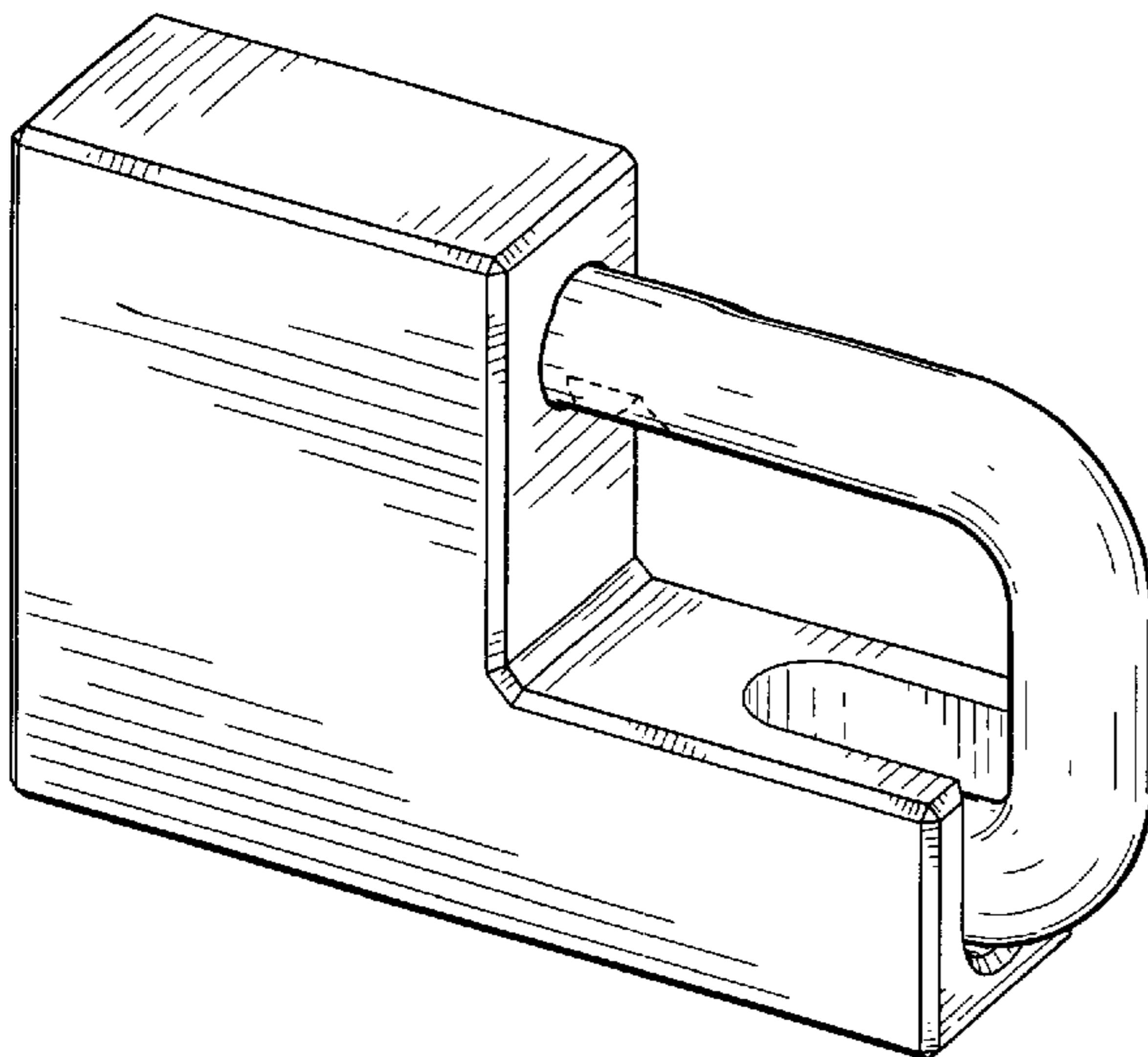
FIG. 10 is a top plan view thereof;

FIG. 11 is a left side elevational view thereof; and,

FIG. 12 is a right side elevational view thereof.

The broken lines in FIGS. 1 and 2 showing a notch in the lock shackle is used for illustrative purposes only and forms no part of the claimed design. The broken lines in FIGS. 3 and 9 showing a standard key hole are used for illustrative purposes only and forms no part of the claimed design.

1 Claim, 2 Drawing Sheets



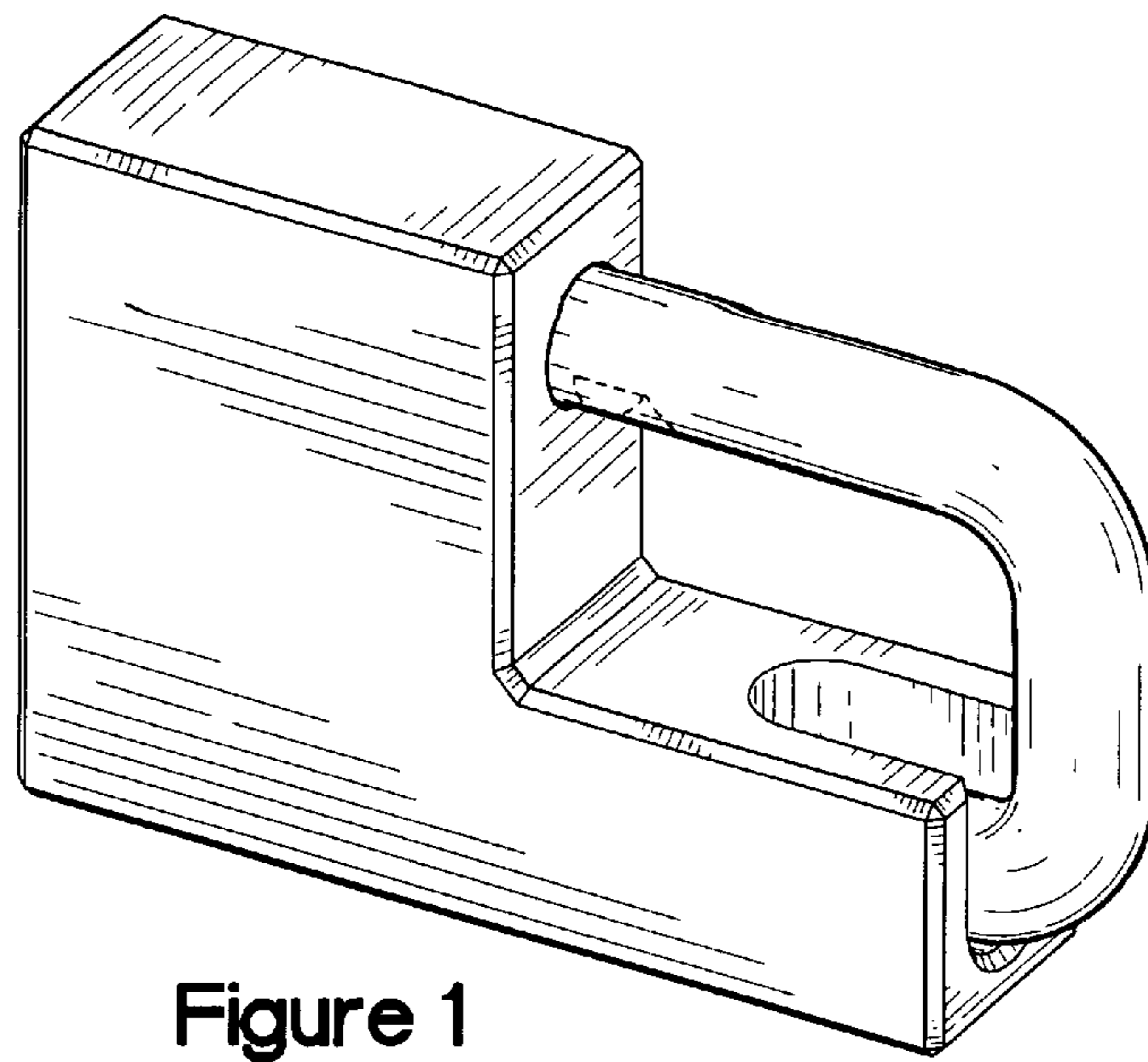


Figure 1

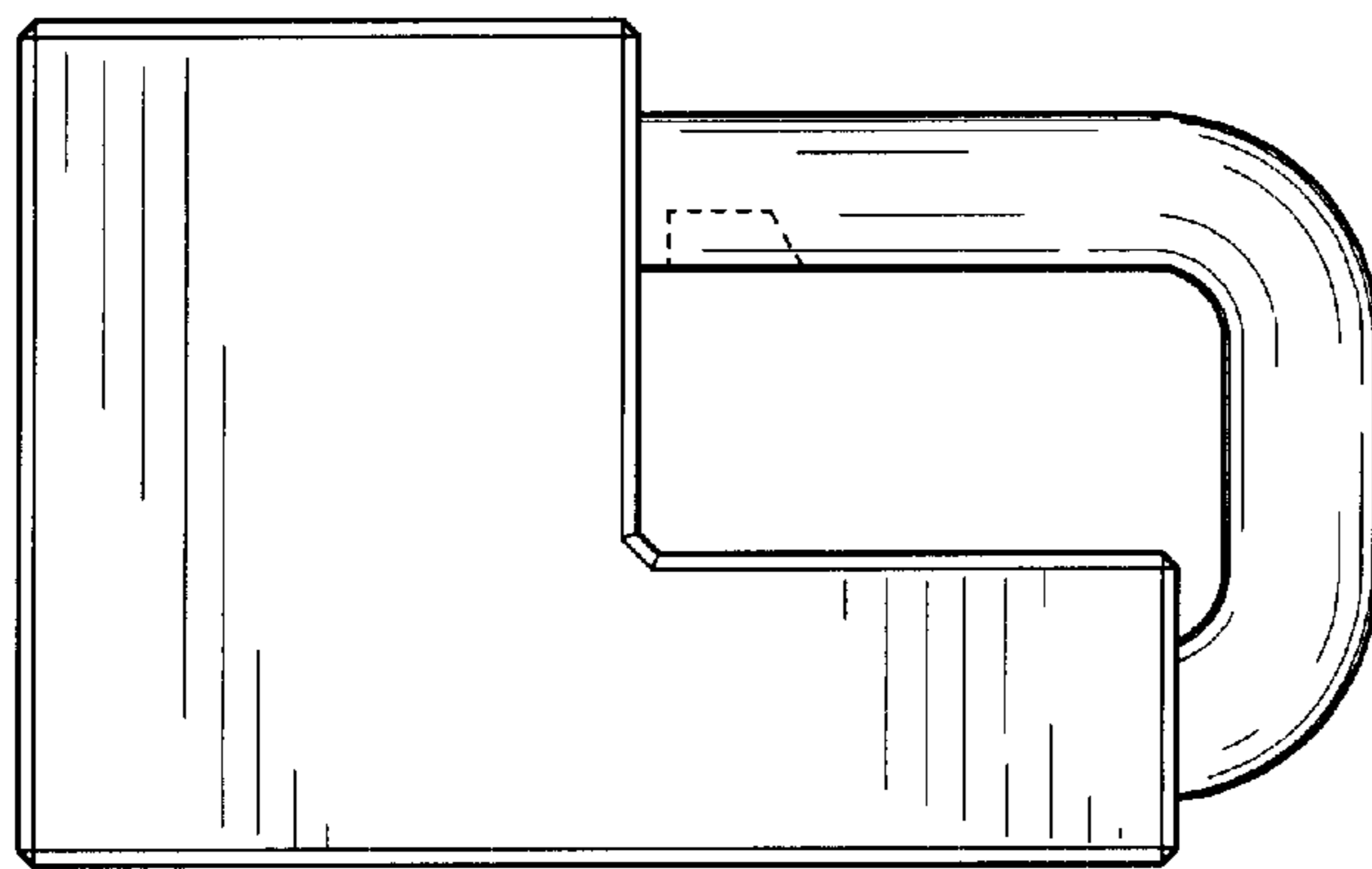


Figure 2

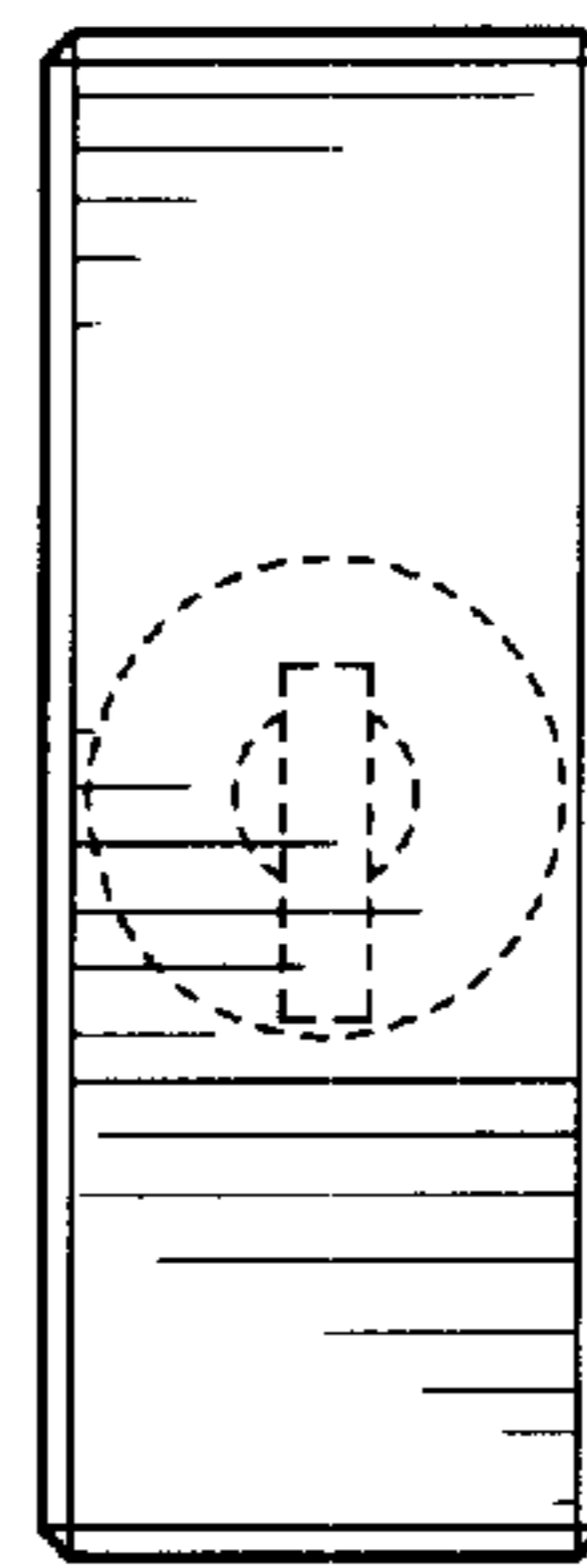


Figure 3

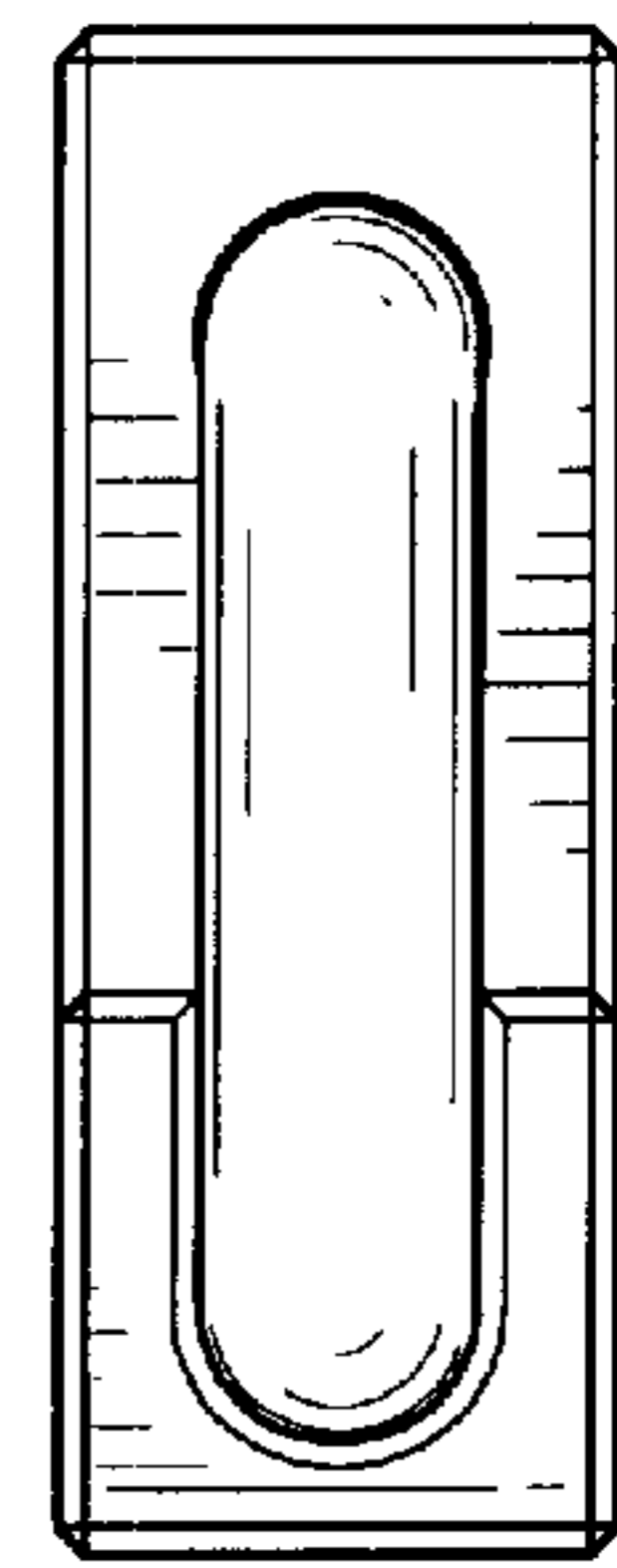


Figure 4

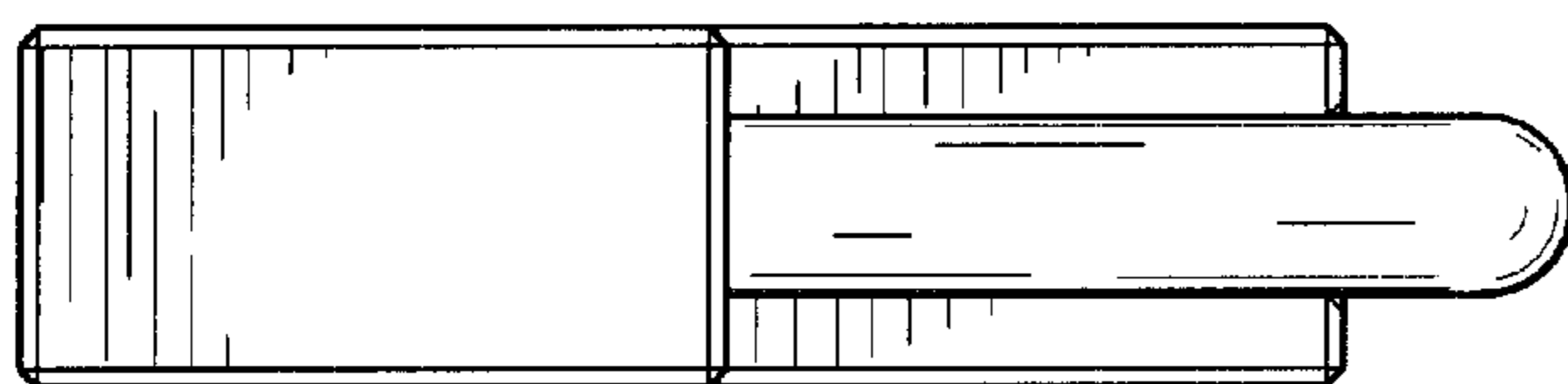


Figure 5

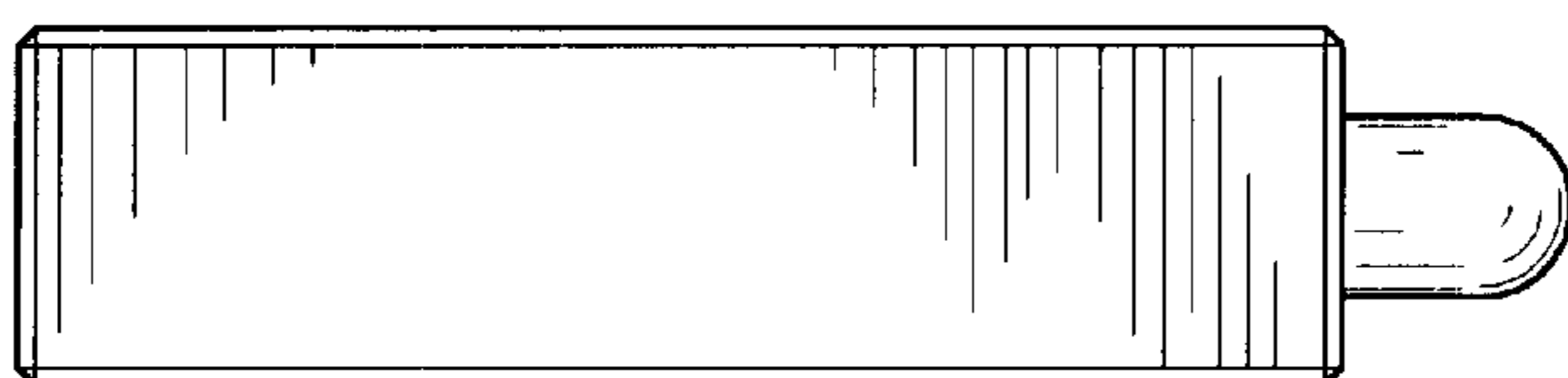


Figure 6

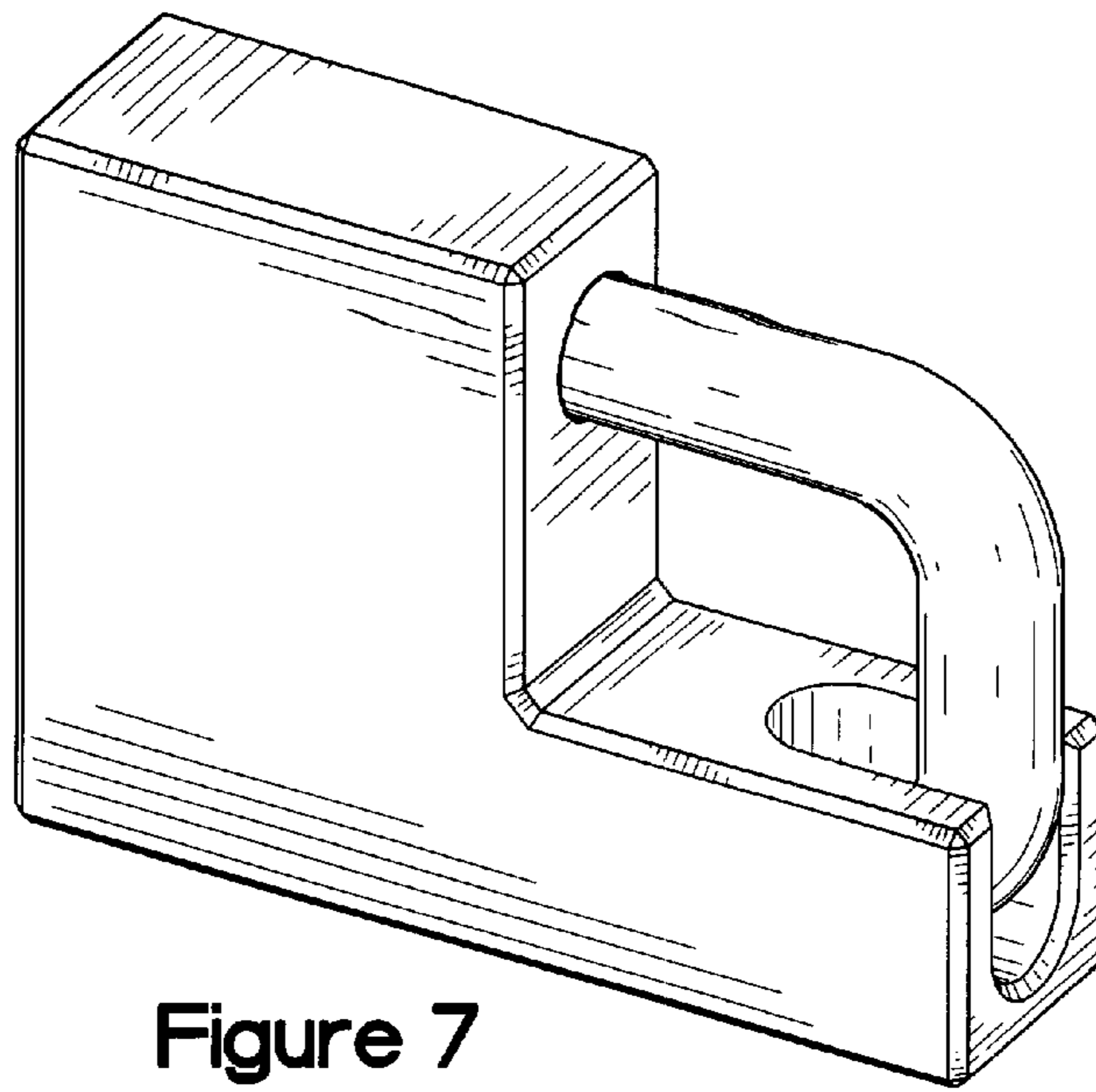


Figure 7

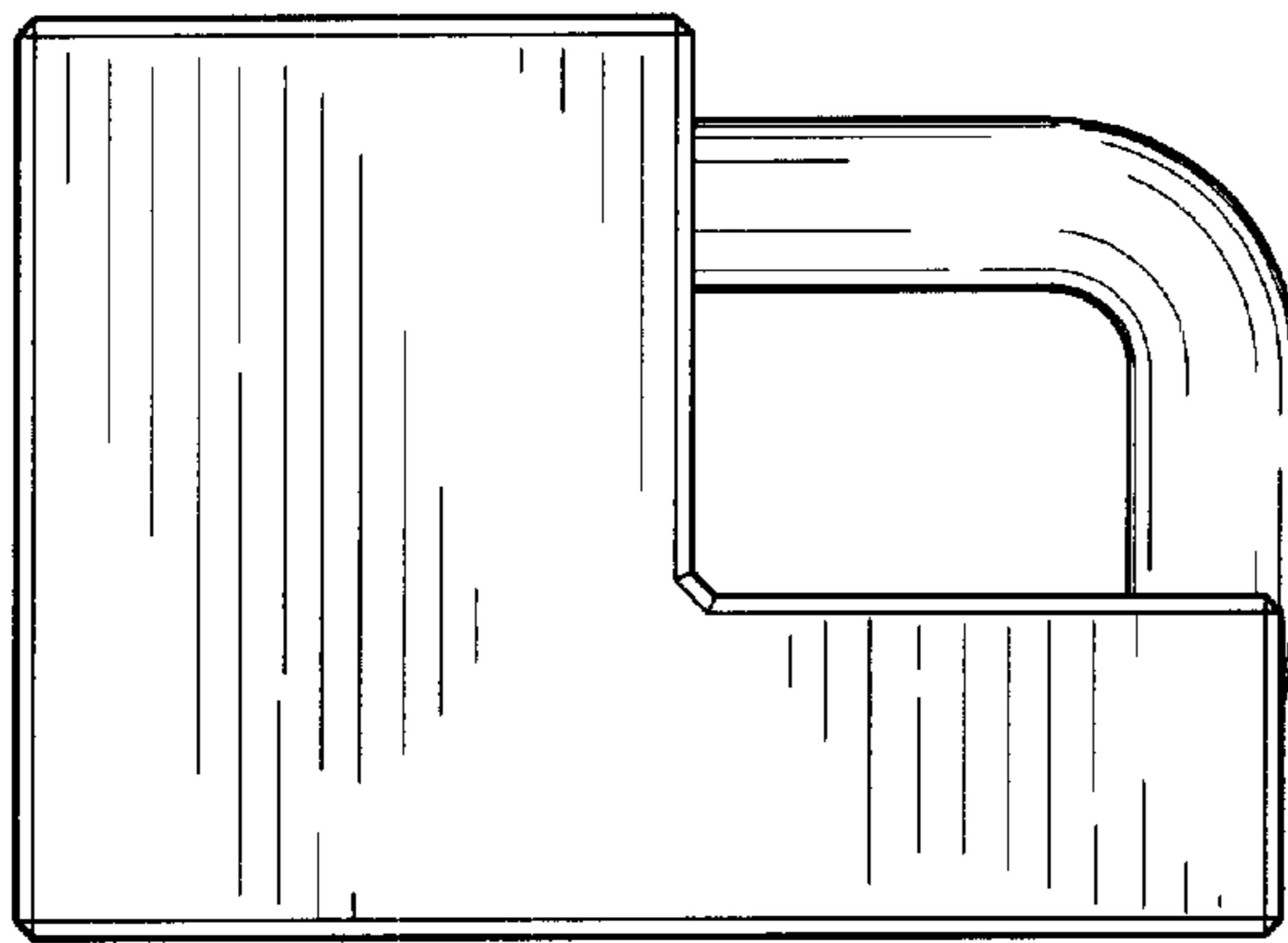


Figure 8

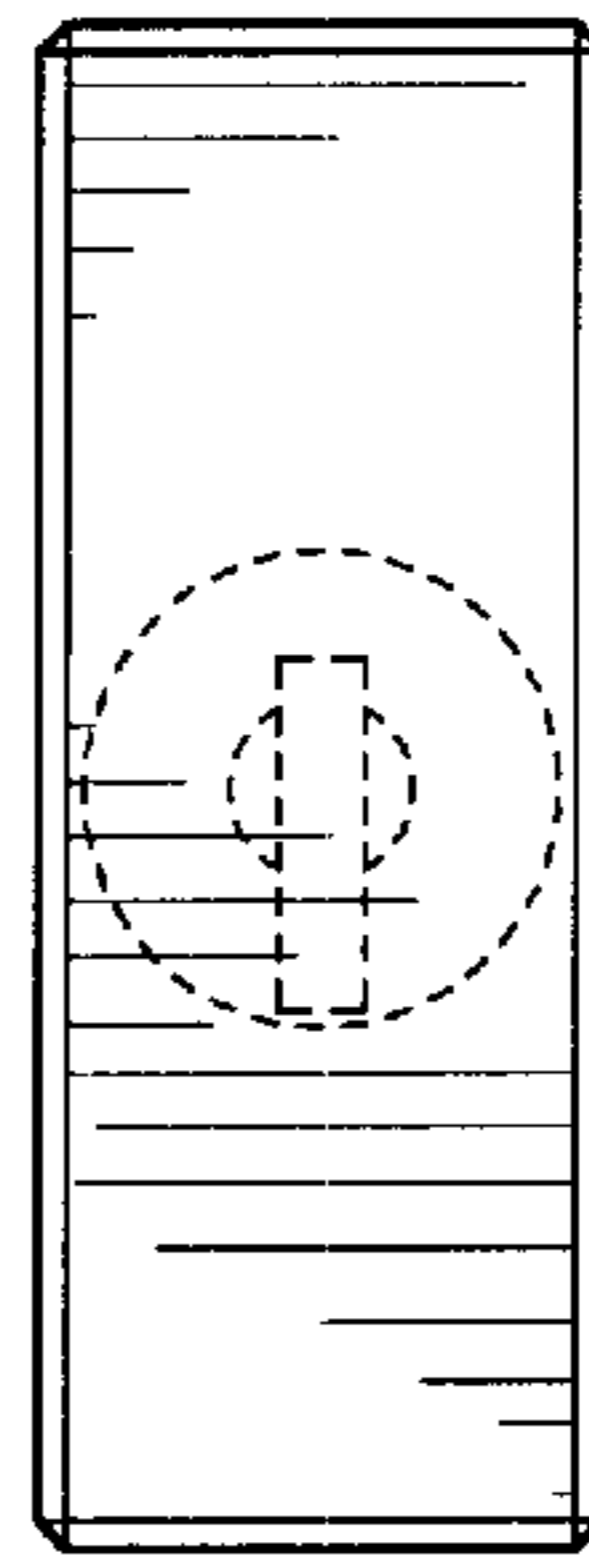


Figure 9

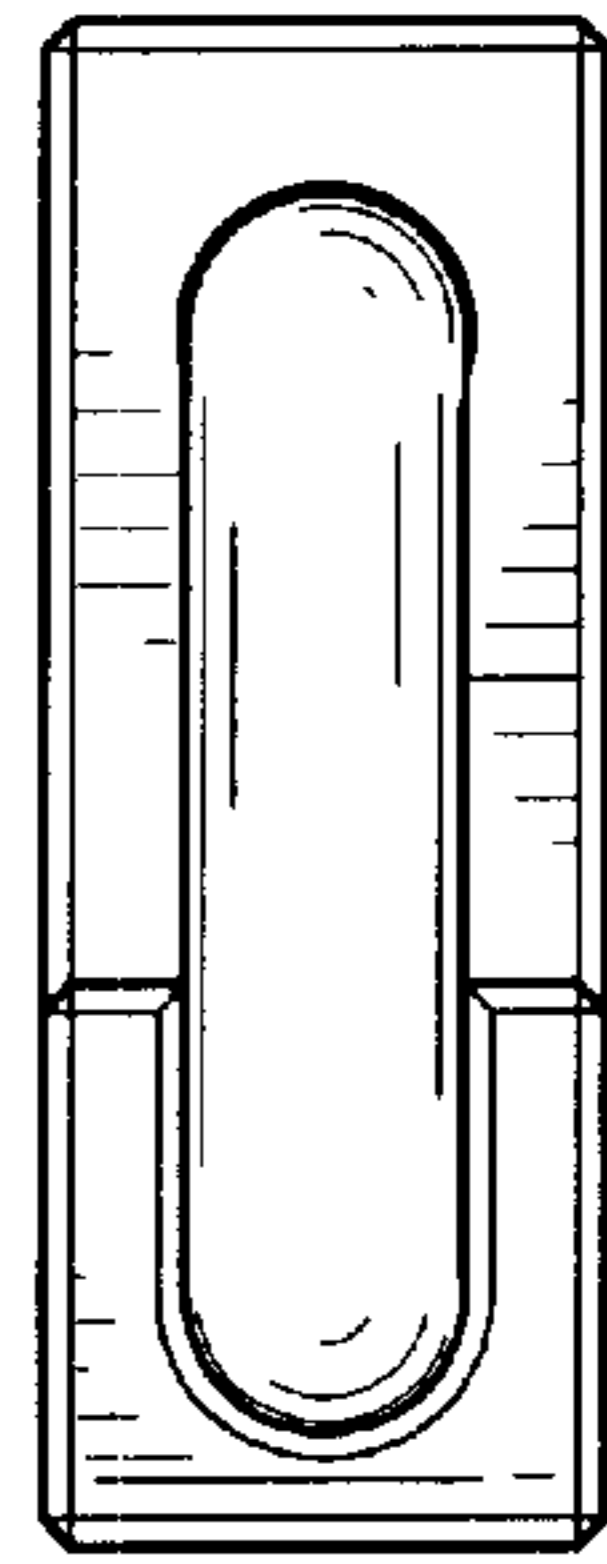


Figure 10

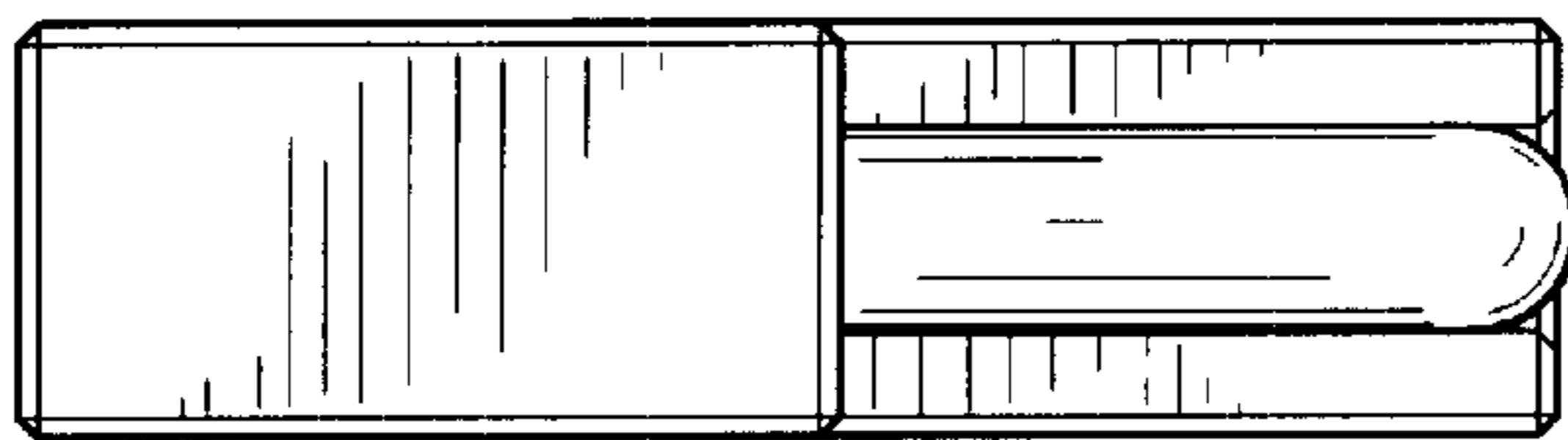


Figure 11

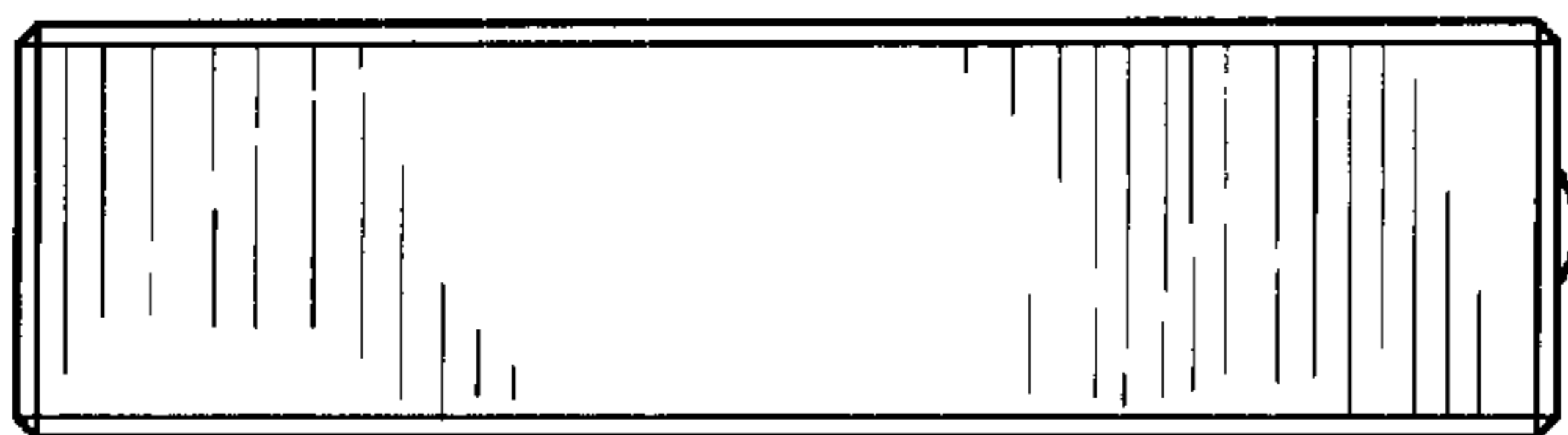


Figure 12