



US00D470742S

(12) **United States Design Patent**
Fields

(10) **Patent No.:** **US D470,742 S**

(45) **Date of Patent:** **** Feb. 25, 2003**

- (54) **PULL**
- (75) **Inventor:** **Betsy Fields**, Silverton, CO (US)
- (73) **Assignee:** **Liberty Hardware Mfg. Corp.**,
Winston-Salem, NC (US)
- (**) **Term:** **14 Years**
- (21) **Appl. No.:** **29/159,755**
- (22) **Filed:** **Apr. 26, 2002**
- (51) **LOC (7) Cl.** **08-06**
- (52) **U.S. Cl.** **D8/316**
- (58) **Field of Search** D8/300-302, 305,
D8/307, 310, 315-320, 350, 352, 353;
D23/250-254; 16/110.1, 412, 414-420,
441, 443-446; 292/347

- D337,507 S * 7/1993 Jans D8/316
- D344,007 S * 2/1994 Jans D8/316
- D438,776 S * 3/2001 Boscherini D8/316

* cited by examiner

Primary Examiner—B. J. Bullock

(74) *Attorney, Agent, or Firm*—Edgar A. Zarins; Lloyd D. Doigan

(57) **CLAIM**

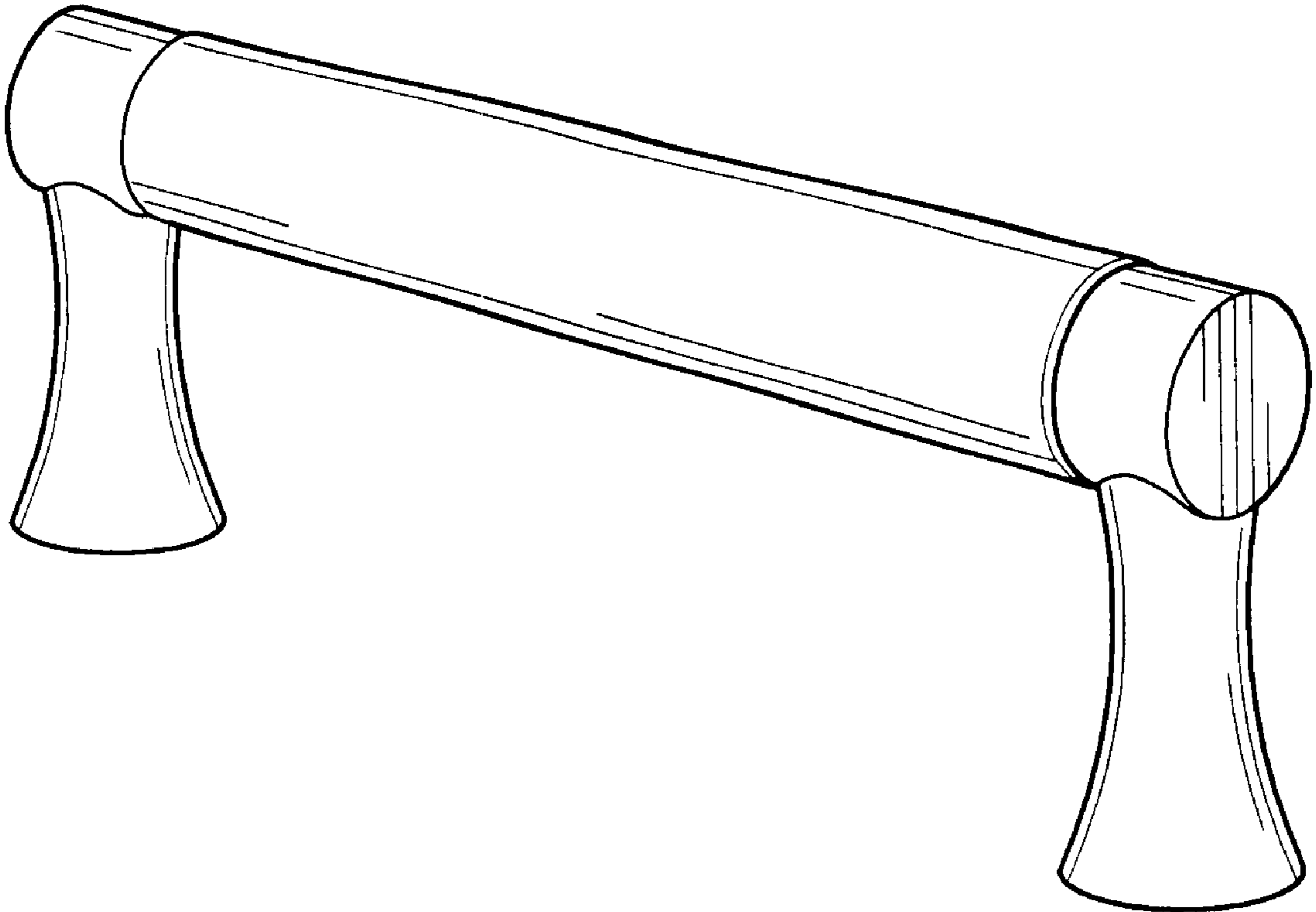
The ornamental design for a pull, as shown and described.

DESCRIPTION

FIG. 1 is a perspective view of a pull showing my new design;
 FIG. 2 is a side elevational view thereof, the opposite side being a mirror image of the side shown;
 FIG. 3 is a front view thereof;
 FIG. 4 is a rear view thereof; and,
 FIG. 5 is an end view thereof, the opposite end being a mirror image of the end shown.

- (56) **References Cited**
- U.S. PATENT DOCUMENTS**
- 2,498,139 A * 2/1950 Simjian 16/419
- D299,110 S * 12/1988 Jans D8/316

1 Claim, 2 Drawing Sheets



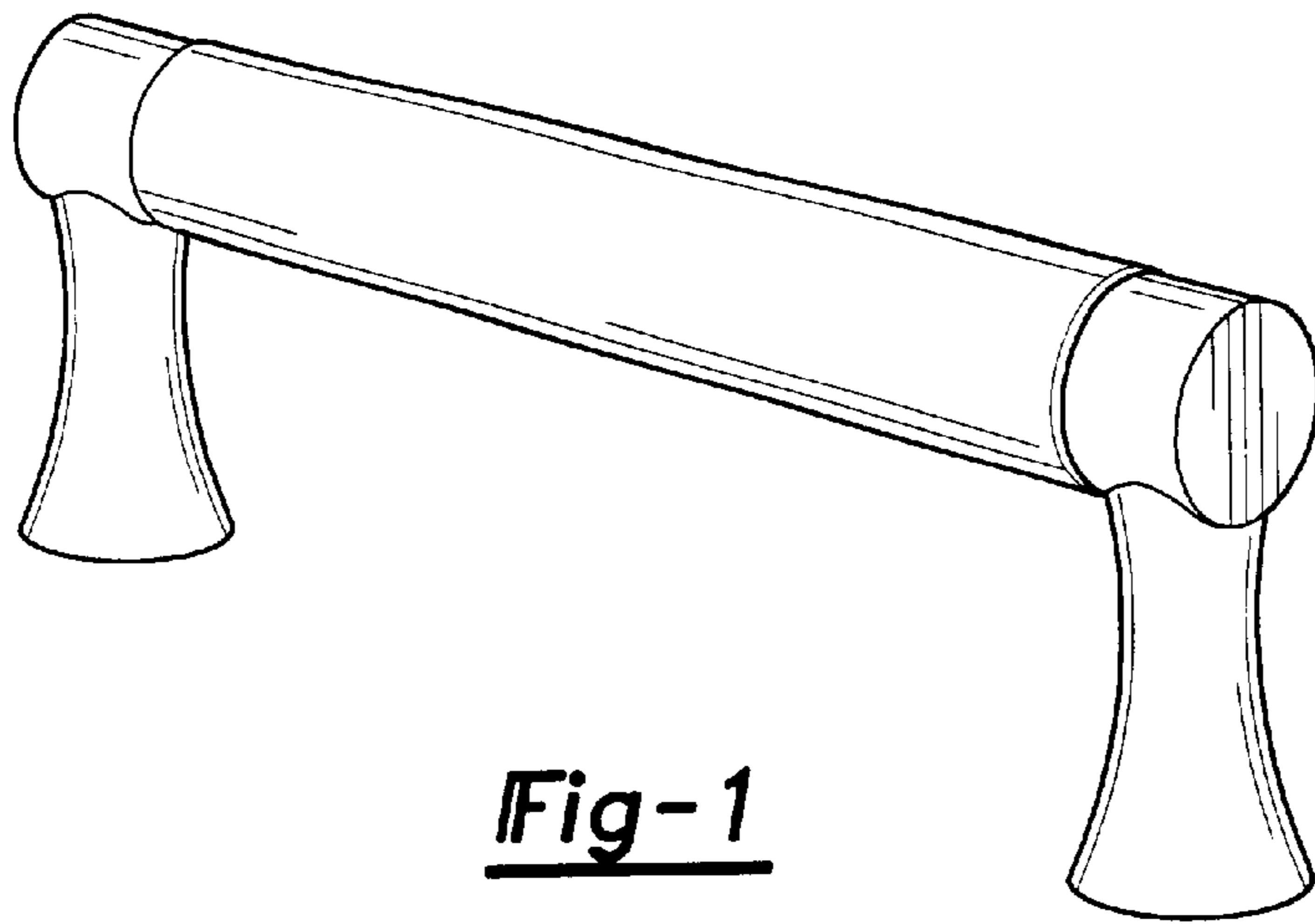


Fig-1

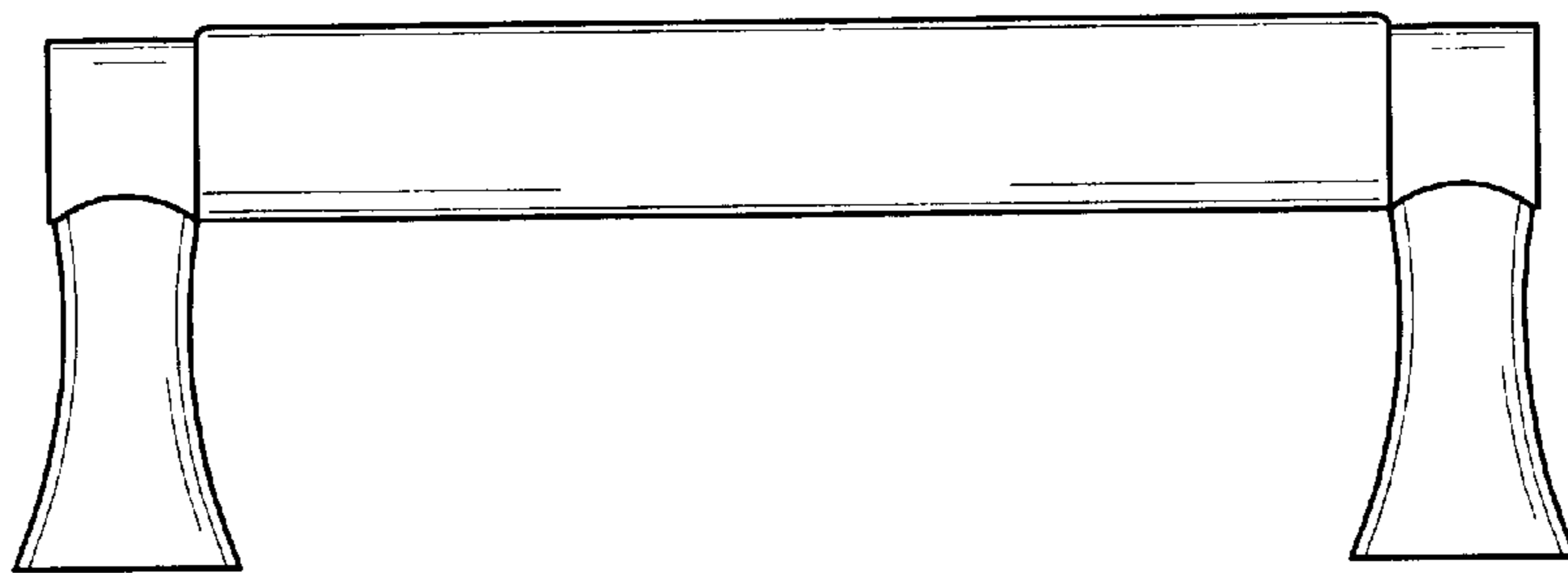


Fig-2

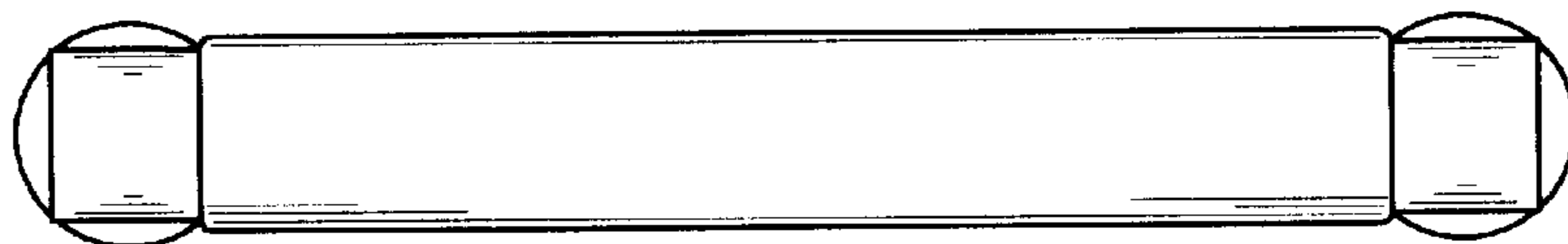


Fig-3



Fig-4

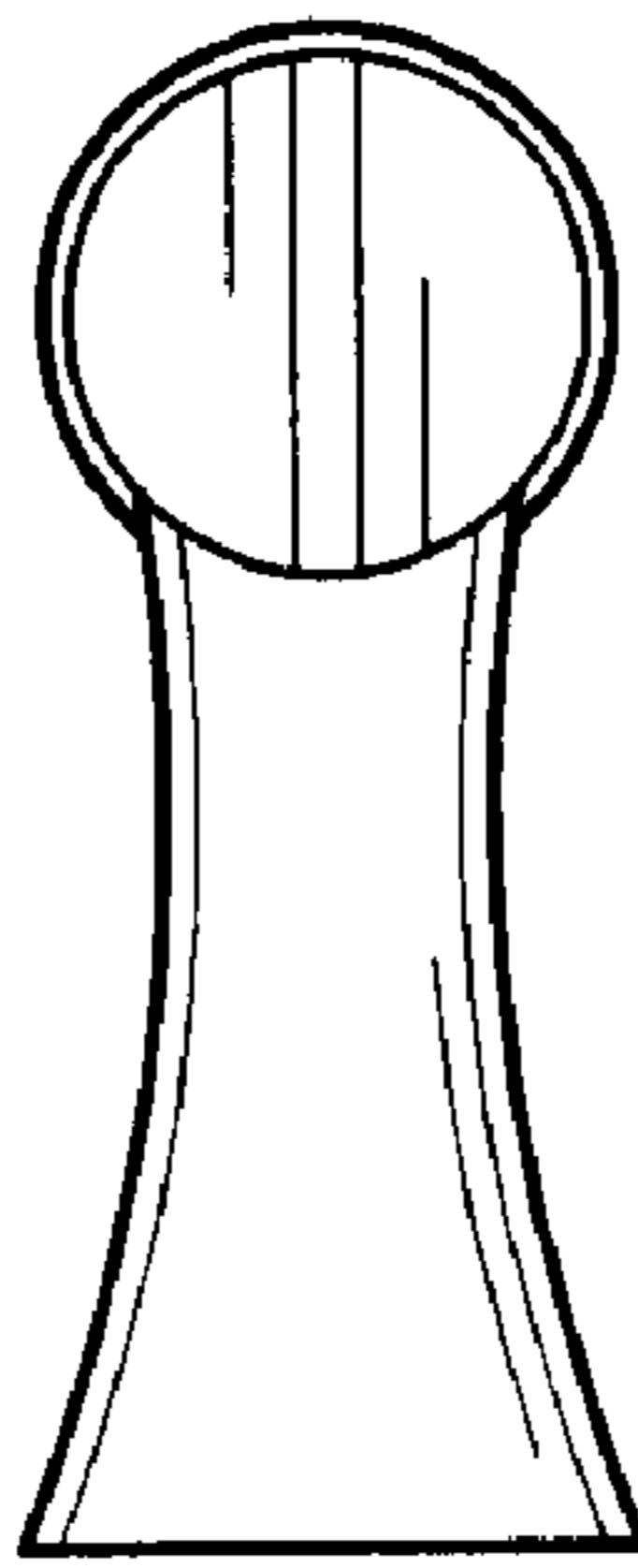


Fig-5