



US00D470740S

(12) **United States Design Patent**
Fields

(10) **Patent No.:** **US D470,740 S**

(45) **Date of Patent:** **** Feb. 25, 2003**

(54) **KNOB**

D442,055 S * 5/2001 Dewald et al. D8/310

(75) Inventor: **Betsy Fields**, Silverton, CO (US)

OTHER PUBLICATIONS

(73) Assignee: **Liberty Hardware Mfg. Corp.**,
Winston-Salem, NC (US)

Jaybee/Ajax Manufacturing Company 1987 Catalog; p. 13;
knob 5329.*

(**) Term: **14 Years**

Antique Builders Hardware by Maud L. Eastwood; p. 43;
second and third knobs in top row.*

(21) Appl. No.: **29/159,680**

* cited by examiner

(22) Filed: **Apr. 26, 2002**

Primary Examiner—B. J. Bullock

(51) **LOC (7) Cl.** **08-06**

(74) *Attorney, Agent, or Firm*—Edgar A. Zarins; Lloyd D.
Doigan

(52) **U.S. Cl.** **D8/310**

(58) **Field of Search** D8/300–302, 305,
D8/307, 310, 315–320, 350, 352, 353;
D23/250–254; 16/110.1, 412, 414–420,
441, 443–446; 292/347

(57) **CLAIM**

The ornamental design for a knob, as shown and described.

(56) **References Cited**

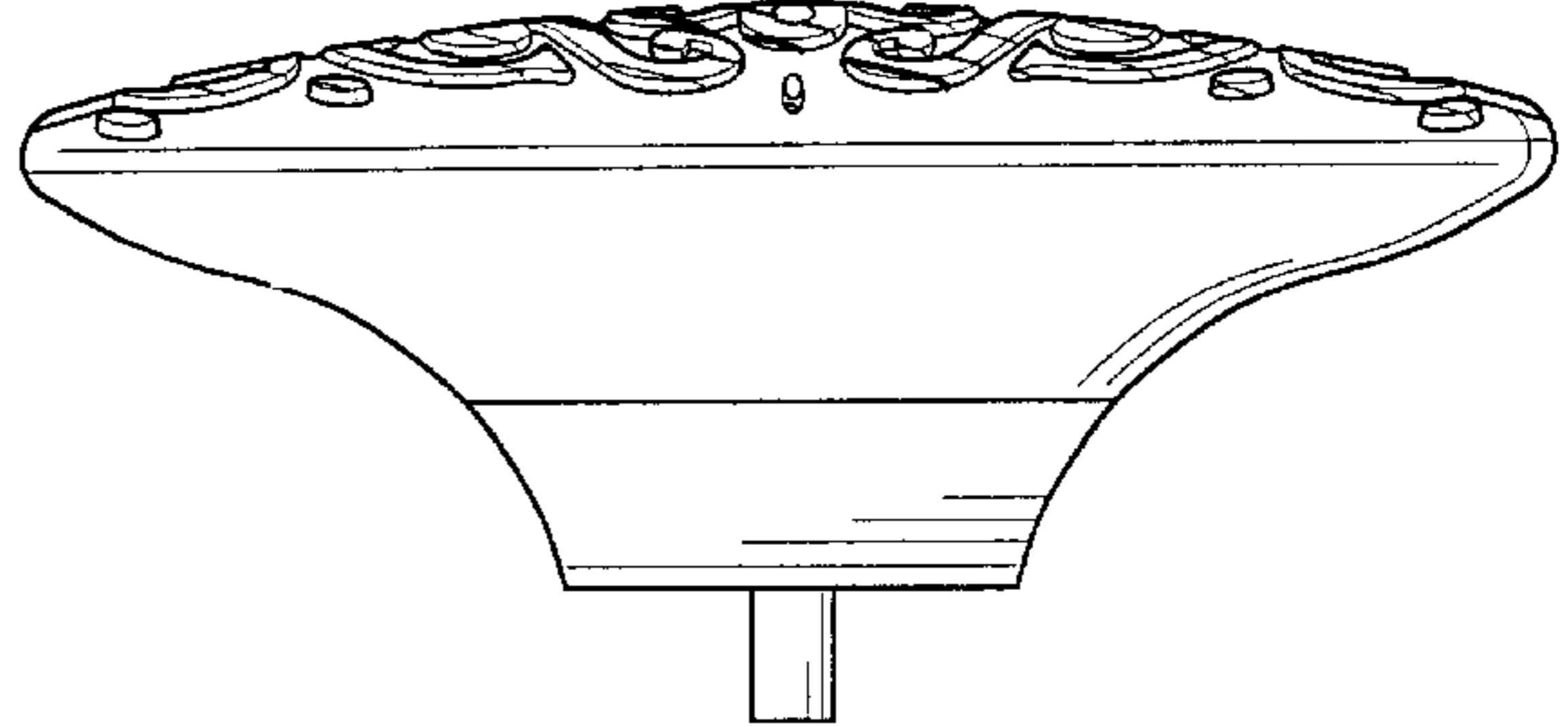
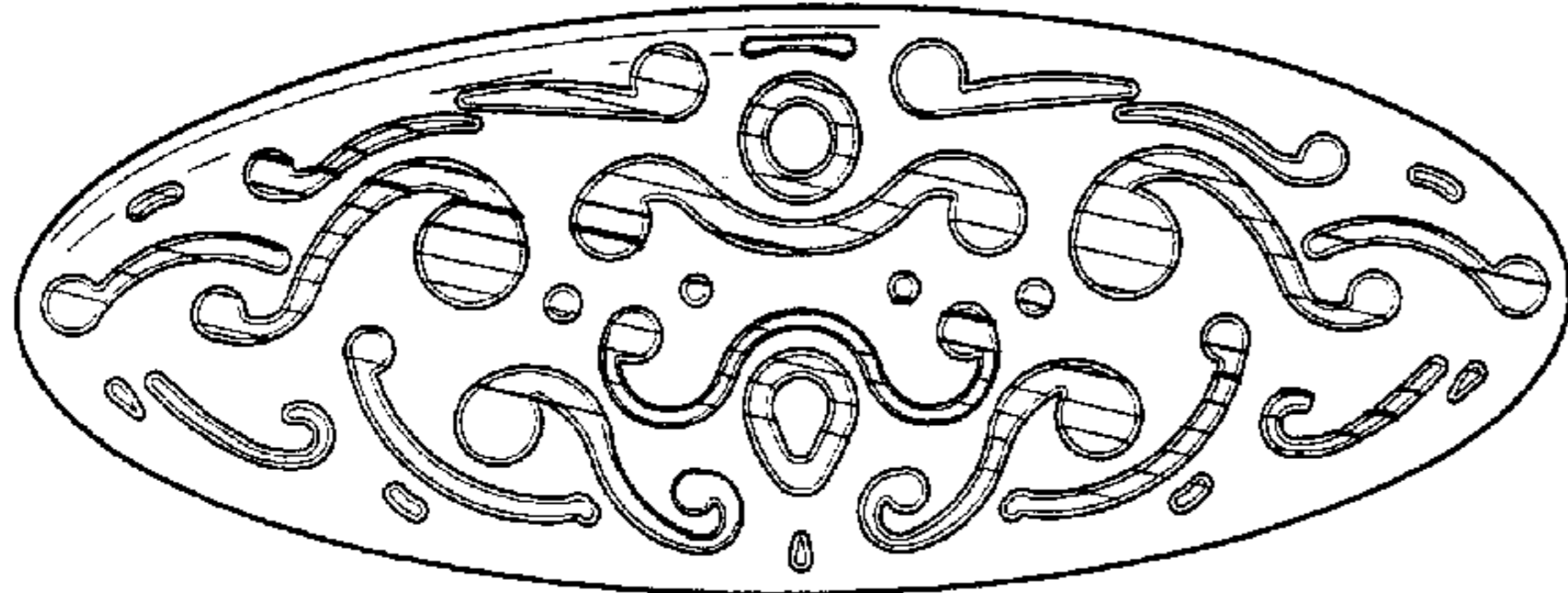
DESCRIPTION

U.S. PATENT DOCUMENTS

FIG. 1 is a front view of a knob showing my new design;
FIG. 2 is a side view taken from the bottom of FIG. 1; and,
FIG. 3 is an end view thereof, the opposite end being a
mirror image of the end shown.

- D7,093 S * 1/1874 Gorman D8/310
- D186,053 S * 9/1959 Clayton D8/310
- D246,091 S * 10/1977 James D8/310

1 Claim, 1 Drawing Sheet



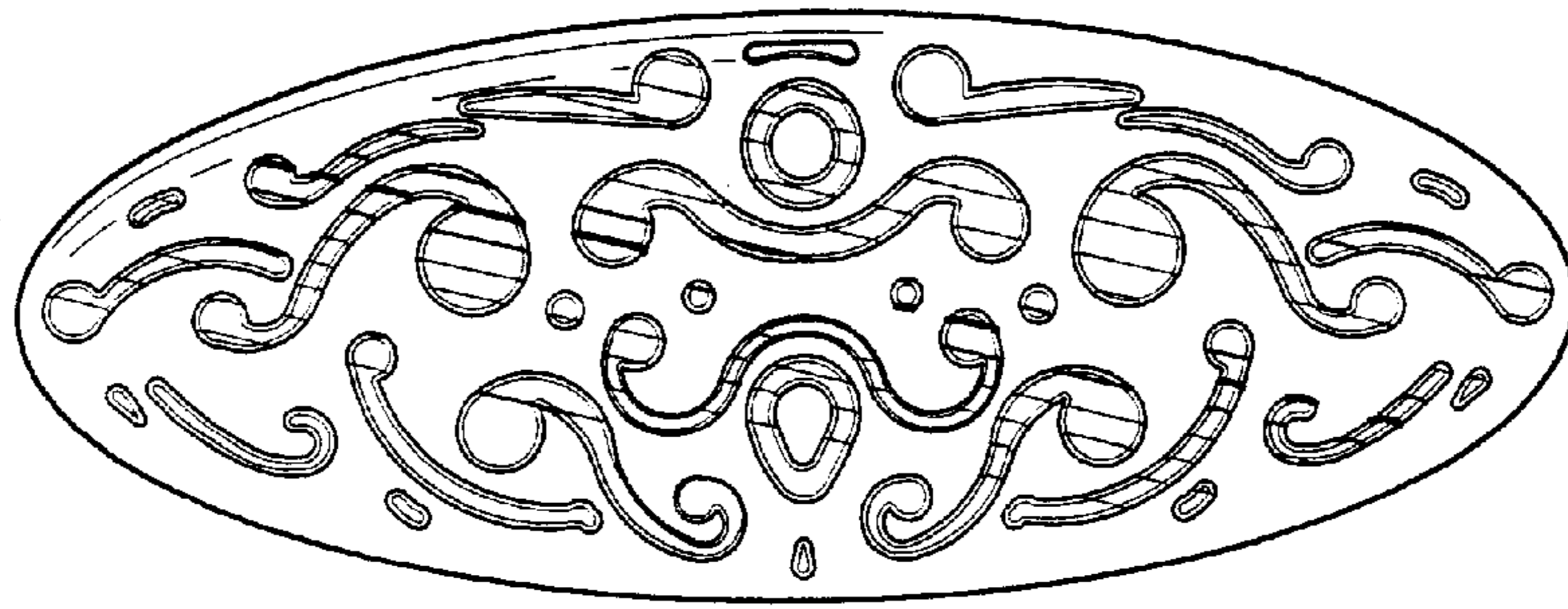


Fig-1

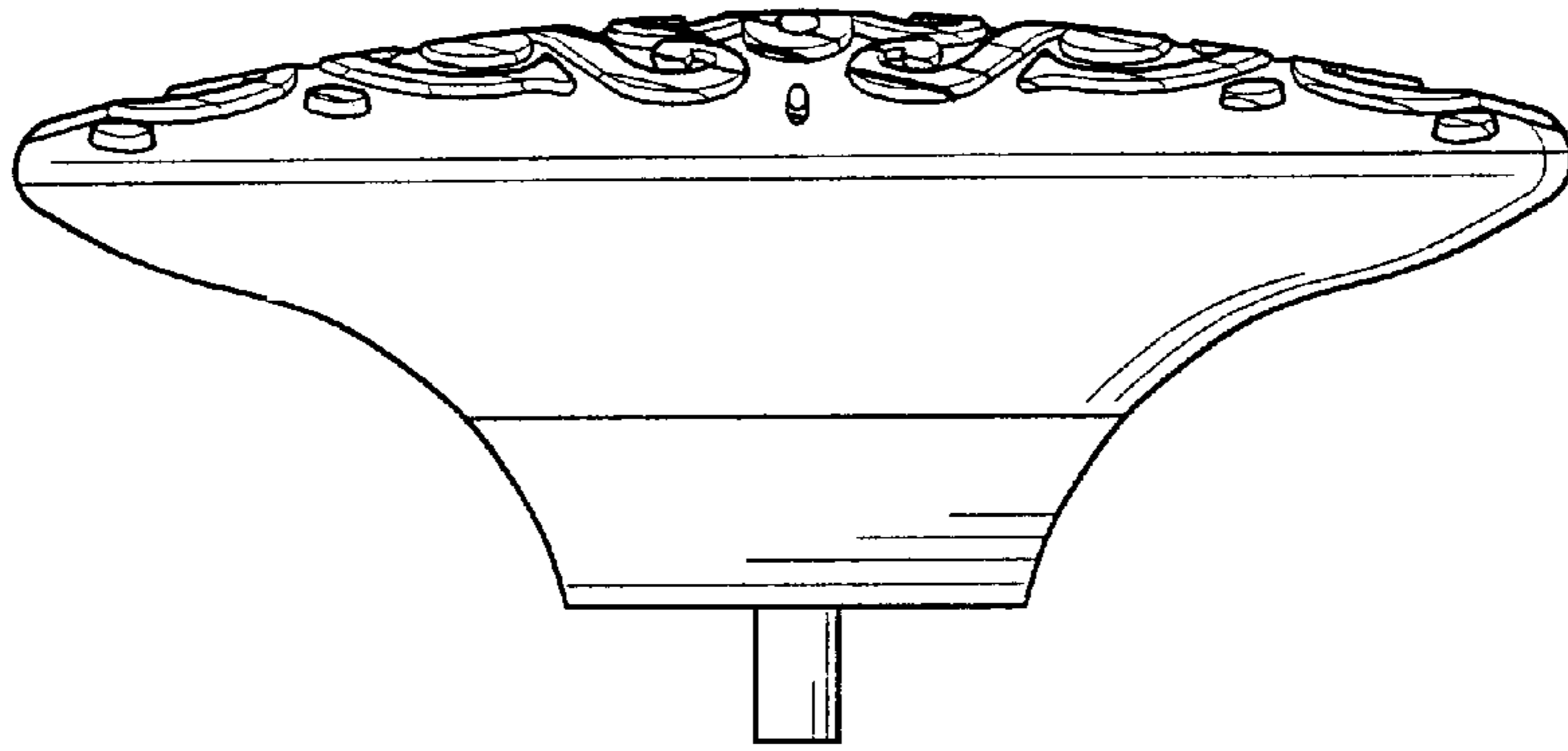


Fig-2

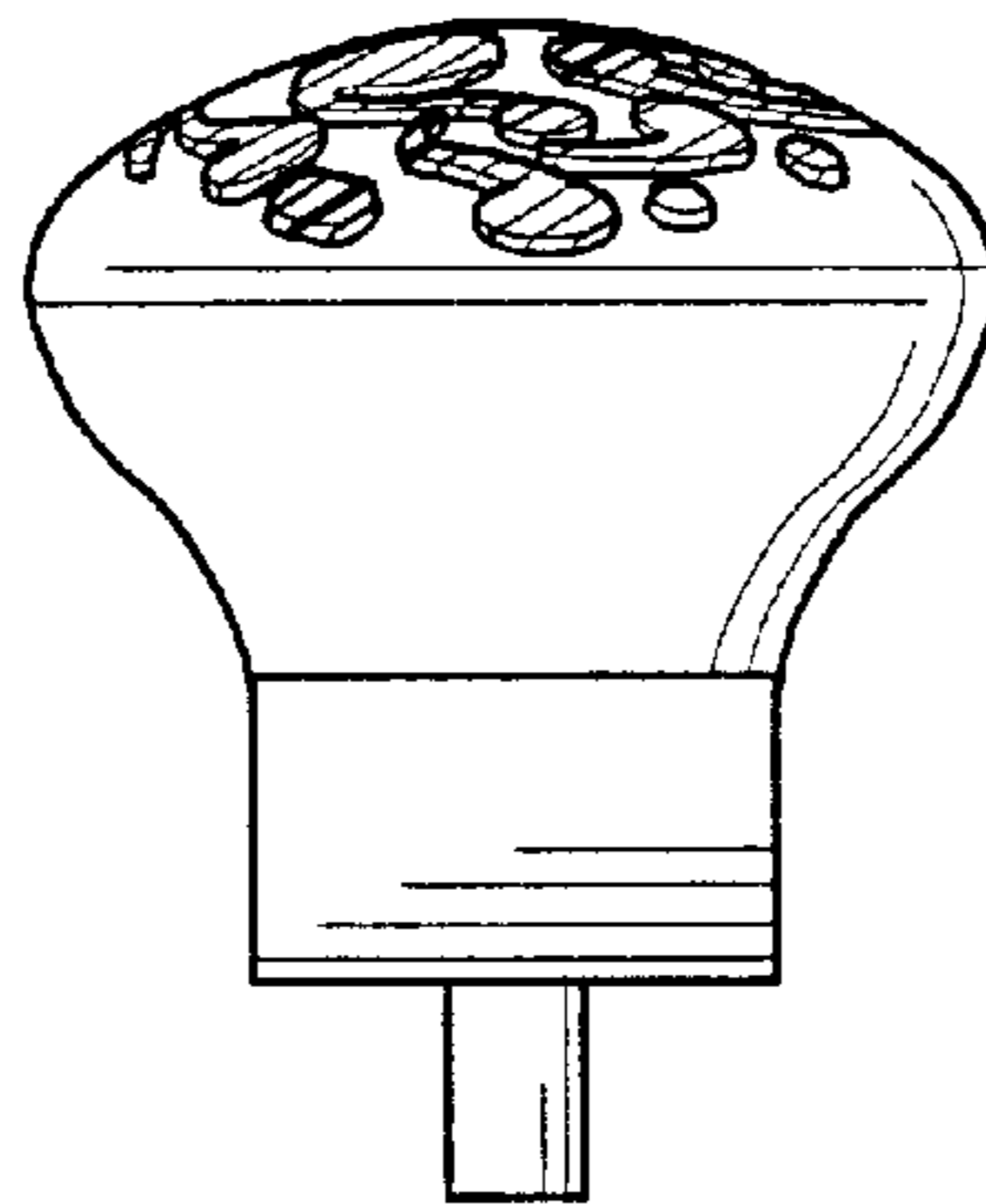


Fig-3