



US00D470739S

(12) **United States Design Patent**
Chen

(10) **Patent No.:** **US D470,739 S**

(45) **Date of Patent:** **** Feb. 25, 2003**

(54) **PORTABLE TOOL COMBINATION**

(76) **Inventor:** **Ying Wu Chen**, P.O.Box 63-99,
Taichung (TW), 406

(**) **Term:** **14 Years**

(21) **Appl. No.:** **29/154,121**

(22) **Filed:** **Jan. 22, 2002**

(51) **LOC (7) Cl.** **08-05**

(52) **U.S. Cl.** **D8/105; D8/21; D8/26**

(58) **Field of Search** D8/21, 26, 27,
D8/28, 29, 105, 106, 107; D24/133; 81/177.1,
124.4, 125.1, 436, 437, 440; 206/234; 7/138,
167, 170

(56) **References Cited**

U.S. PATENT DOCUMENTS

D53,397 S	*	7/1919	Marcmann	D8/28
2,097,361 A	*	10/1937	Bagley	81/177.1
3,745,860 A	*	7/1973	Bennett	81/124.4
4,269,311 A	*	5/1981	Rich	206/234
4,302,990 A	*	12/1981	Chrichton et al.	81/60

4,727,782 A	*	3/1988	Yang	81/124.4
5,259,281 A	*	11/1993	Burke	81/437
5,320,004 A	*	6/1994	Hsiao	81/440
D354,352 S	*	1/1995	Selman	D24/133
D456,226 S	*	4/2002	Doshay	D8/26

* cited by examiner

Primary Examiner—Martie K. Holtje

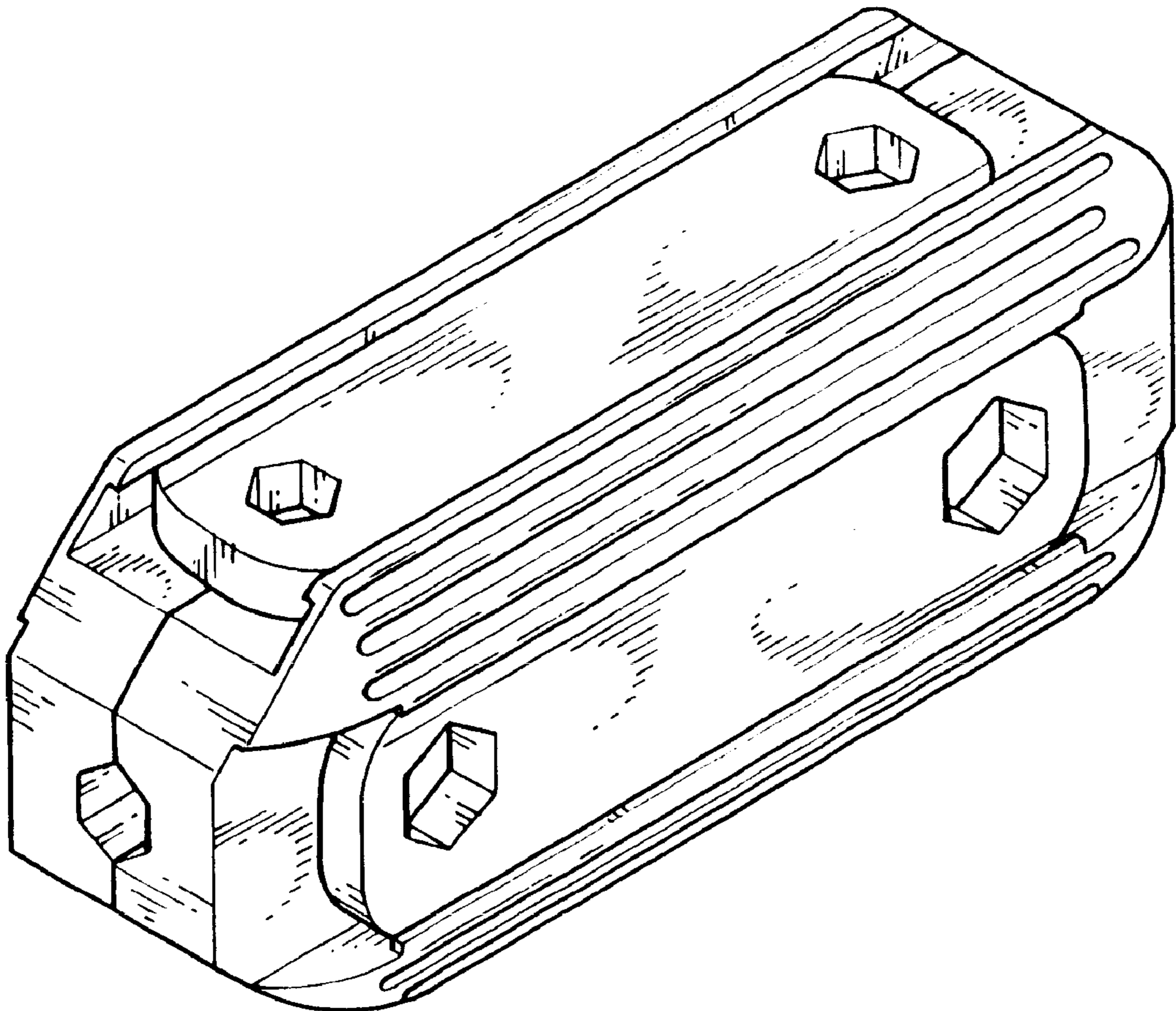
(57) **CLAIM**

The ornamental design for a portable tool combination, as shown and described.

DESCRIPTION

FIG. 1 is a perspective view of a portable tool combination showing my new design;
FIG. 2 is a front elevational view thereof;
FIG. 3 is a rear elevational view thereof;
FIG. 4 is a top plan view thereof;
FIG. 5 is a bottom plan view thereof;
FIG. 6 is a left side elevational view thereof; and,
FIG. 7 is a right side elevational view thereof.

1 Claim, 3 Drawing Sheets



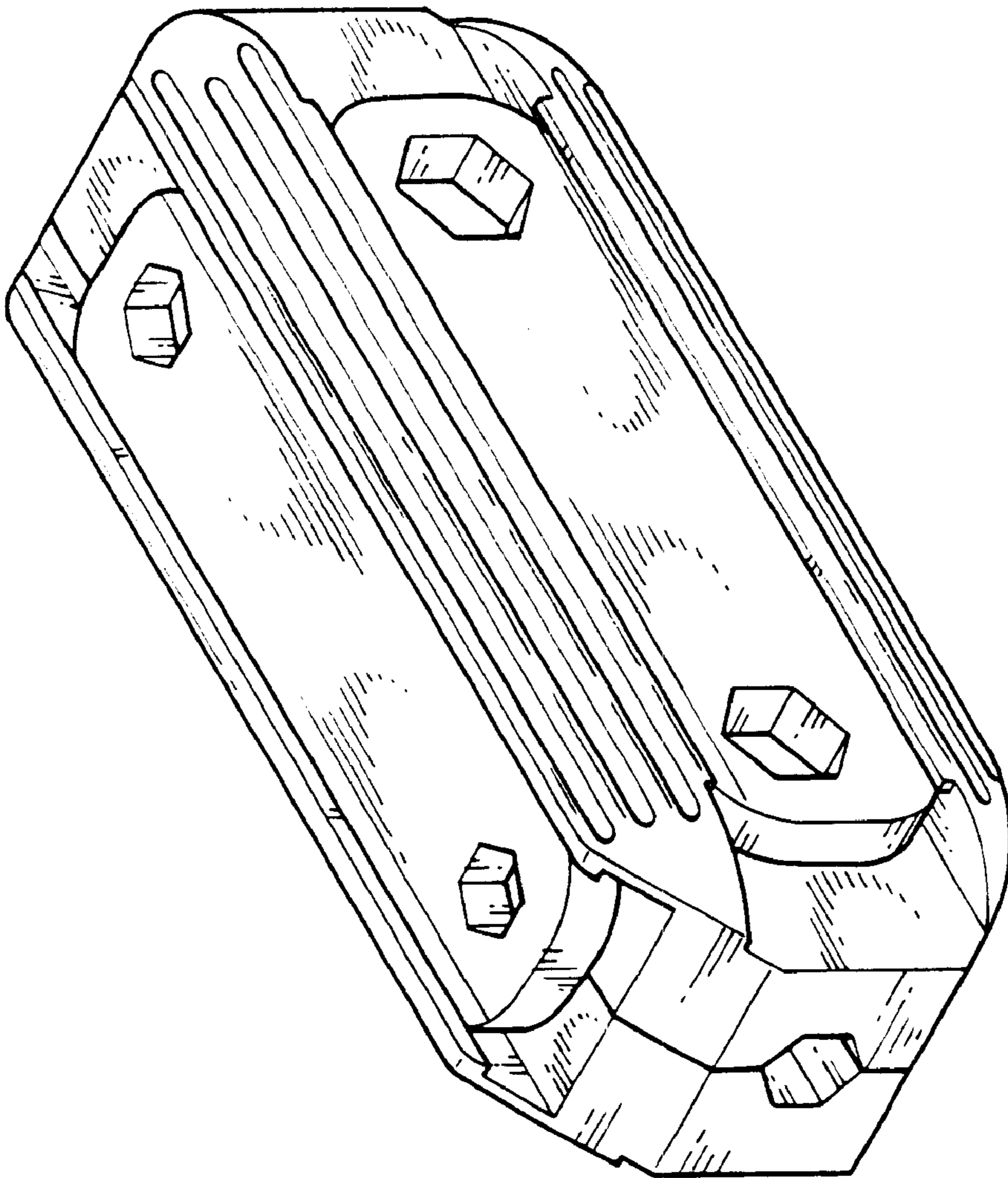


FIG. 1

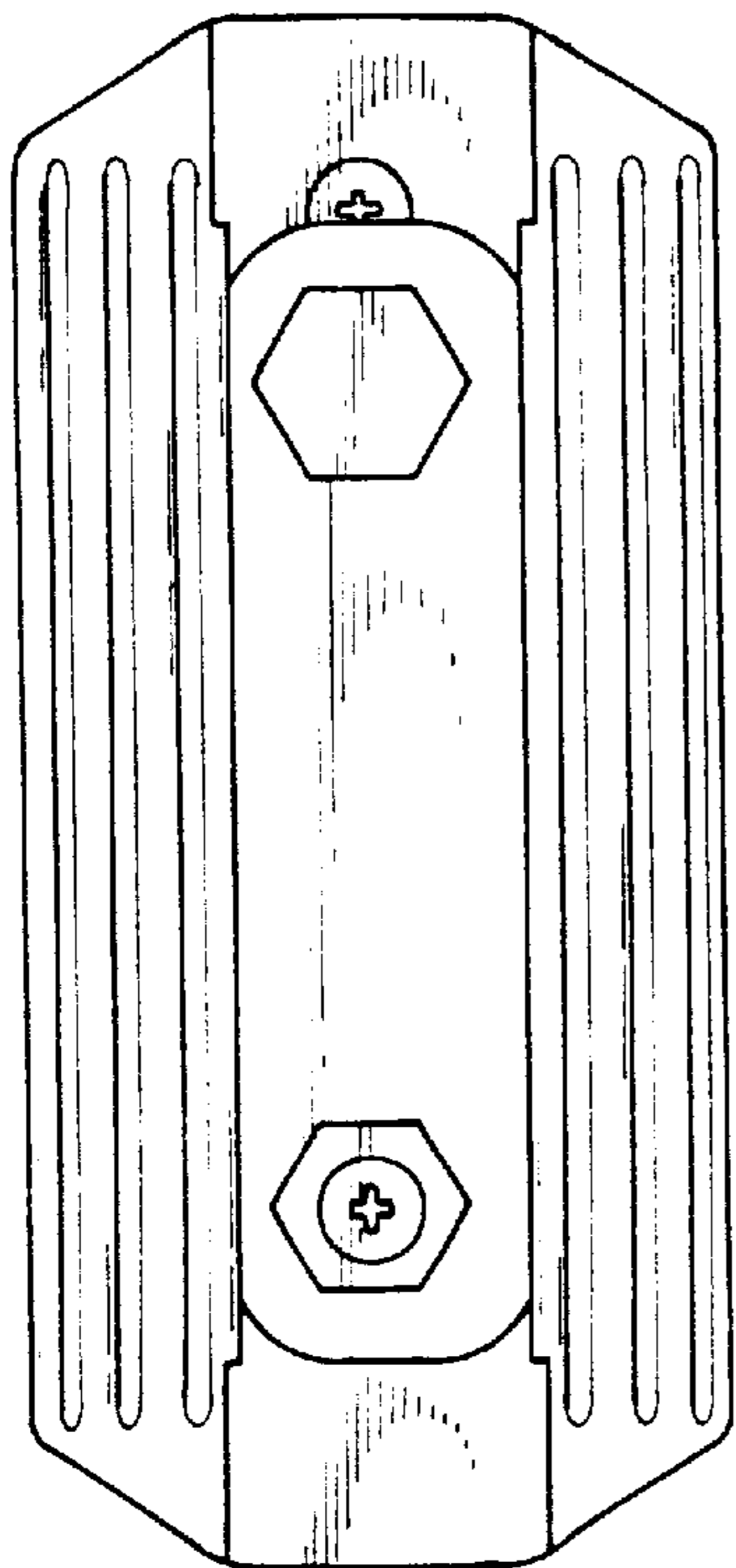


FIG. 3

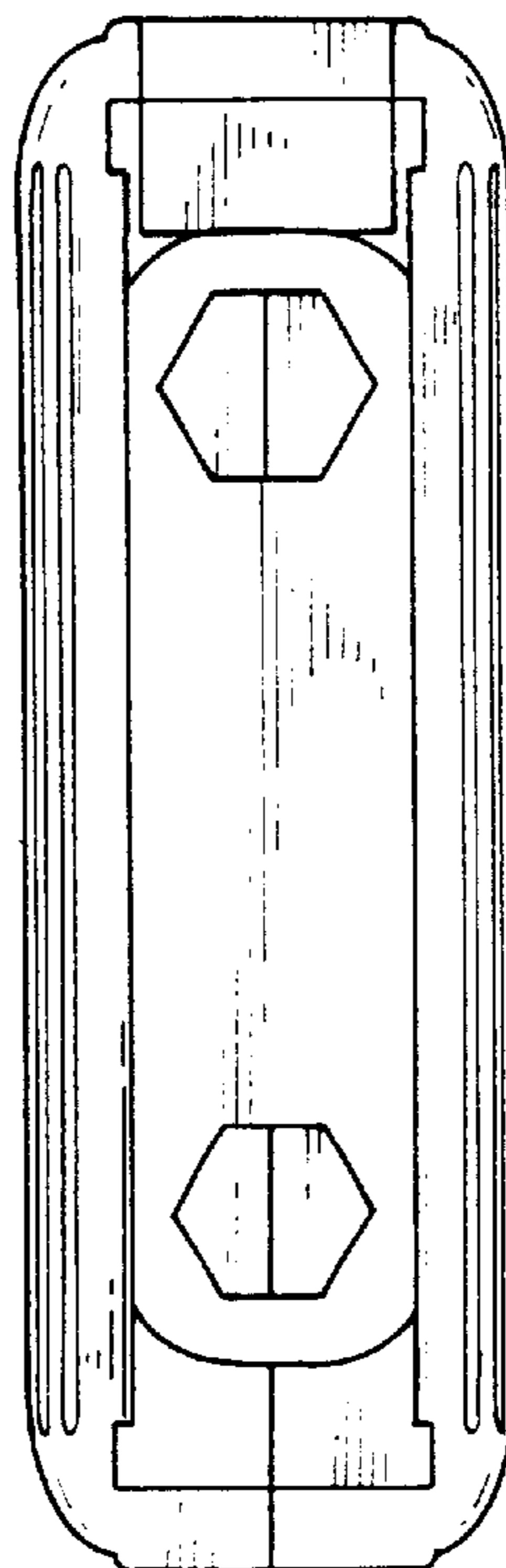


FIG. 5

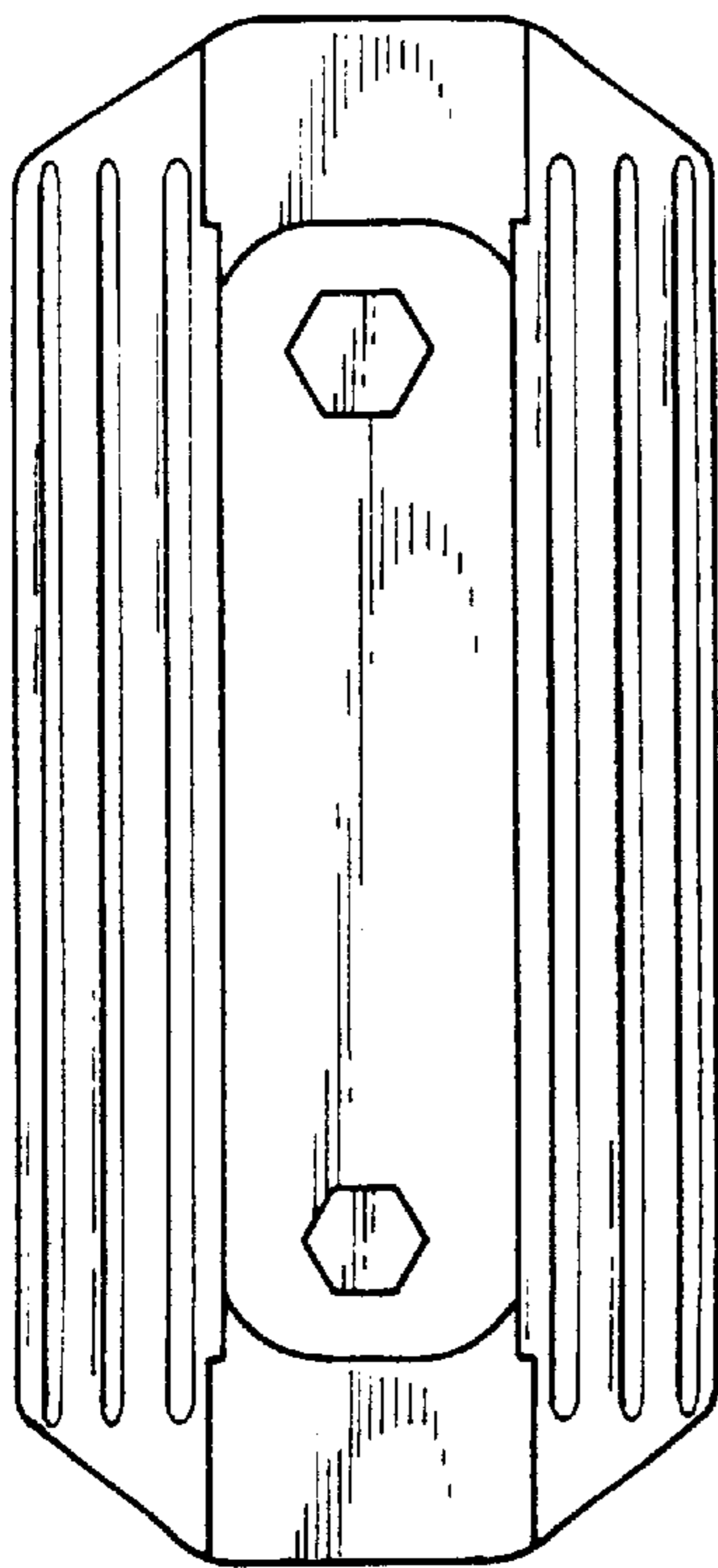


FIG. 2

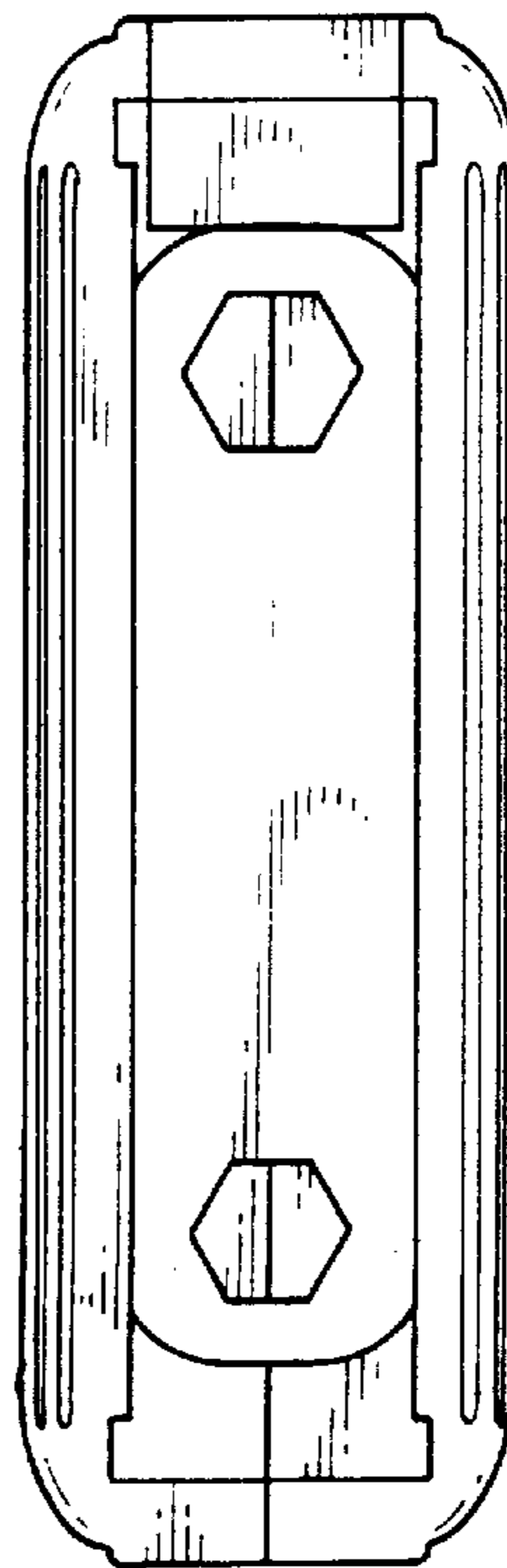


FIG. 4

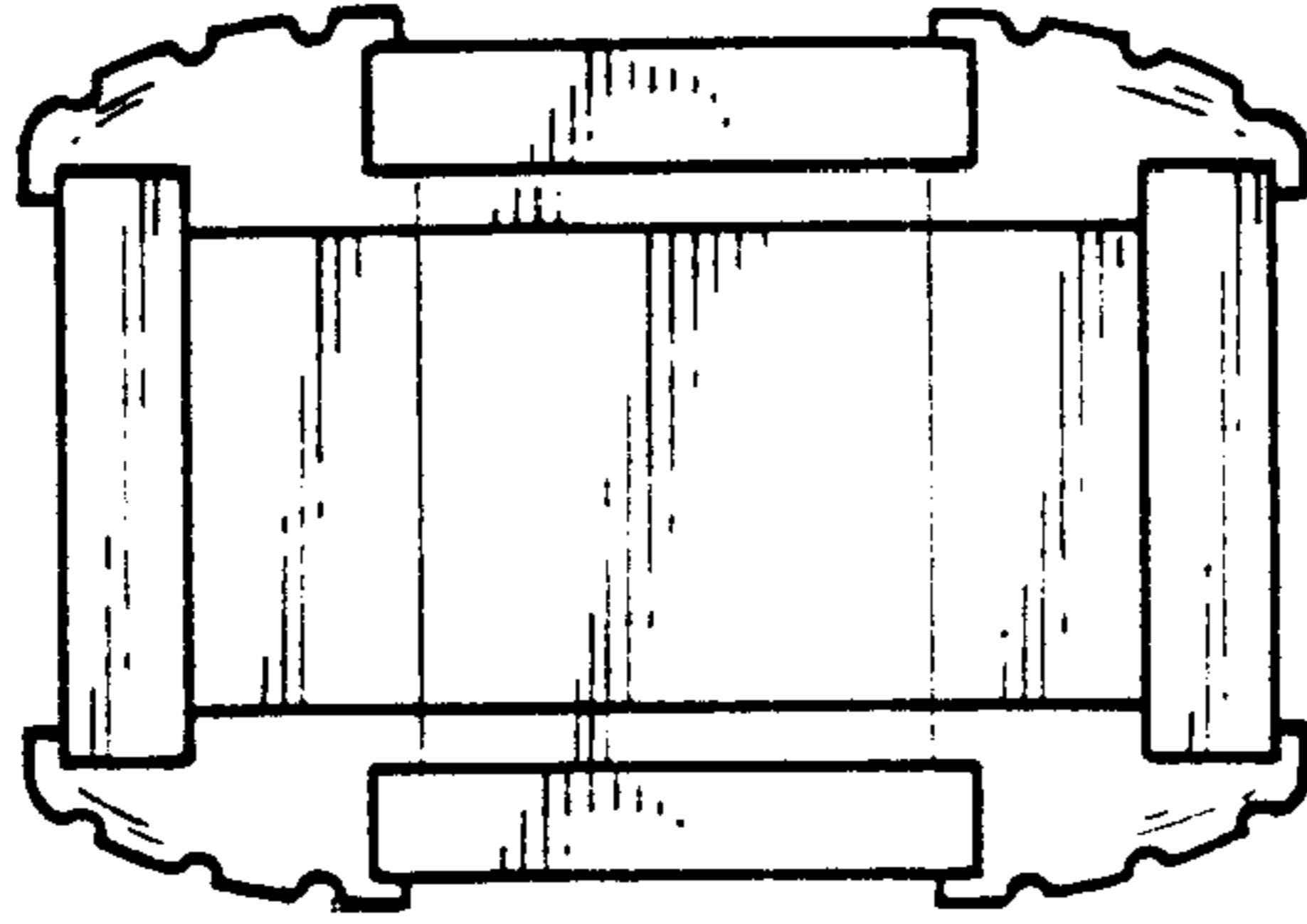


FIG. 7

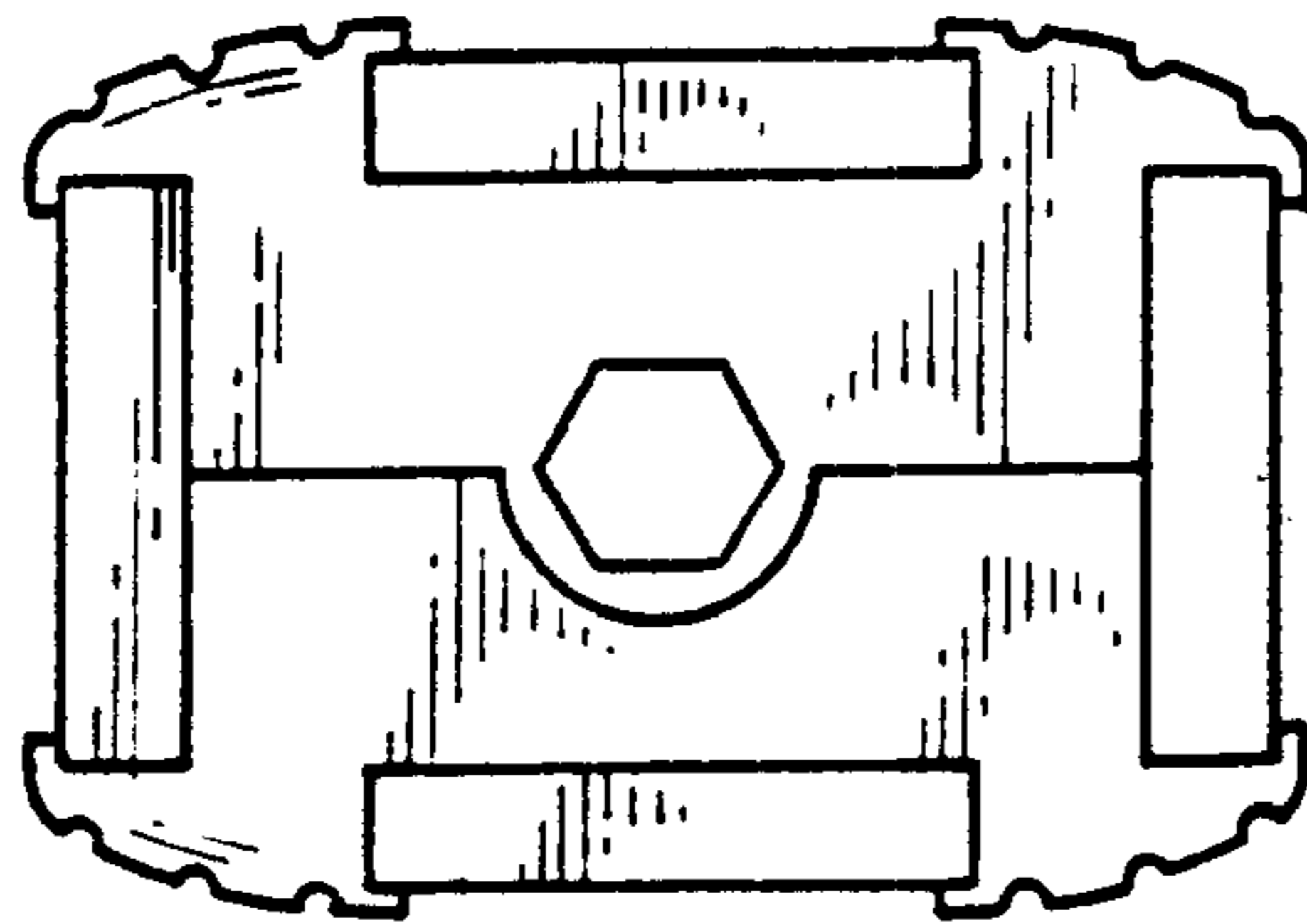


FIG. 6