



US00D470735S

(12) **United States Design Patent**
Heun

(10) **Patent No.:** **US D470,735 S**

(45) **Date of Patent:** **** Feb. 25, 2003**

(54) **ELECTRIC TRIMMER**

D447,030 S * 8/2001 Chen D8/61

(75) Inventor: **Ping Hay Heun**, Aberdeen (HK)

* cited by examiner

(73) Assignee: **Choon Nang Electrical Appliance Mfy., Ltd.**, Aberdeen (HK)

Primary Examiner—Doris V. Coles

Assistant Examiner—Elizabeth Albert

(74) *Attorney, Agent, or Firm*—Leydig, Voit & Mayer, Ltd.

(**) Term: **14 Years**

(57) **CLAIM**

(21) Appl. No.: **29/158,450**

The ornamental design for an electric trimmer, as shown and described.

(22) Filed: **Apr. 5, 2002**

(30) **Foreign Application Priority Data**

Jan. 31, 2002 (GB) 3001153

(51) **LOC (7) Cl.** **08-03**

(52) **U.S. Cl.** **D8/61**

(58) **Field of Search** D8/61, 62; D15/124;
D24/146; 81/54, 57.11, 57.42, 469, 474;
144/136.95, 154.5, 371; 173/168, 169, 170,
171, 216, 217; 310/50; 408/241 R; 409/180,
181, 182, 218; 451/344, 357, 358, 359

DESCRIPTION

FIG. 1 is a front, left side and top perspective view of an electric trimmer with the cord broken away for purposes of illustration showing my new design;

FIG. 2 is a rear, right side and top perspective view thereof with the cord broken away for purposes of illustration;

FIG. 3 is a front elevational view thereof with the cord broken away for purposes of illustration;

FIG. 4 is a rear elevational view thereof with the cord broken away for purposes of illustration;

FIG. 5 is a left side elevational view thereof;

FIG. 6 is a right side elevational view thereof with the cord broken away for purposes of illustration;

FIG. 7 is a top plan view thereof with the cord broken away for purposes of illustration; and,

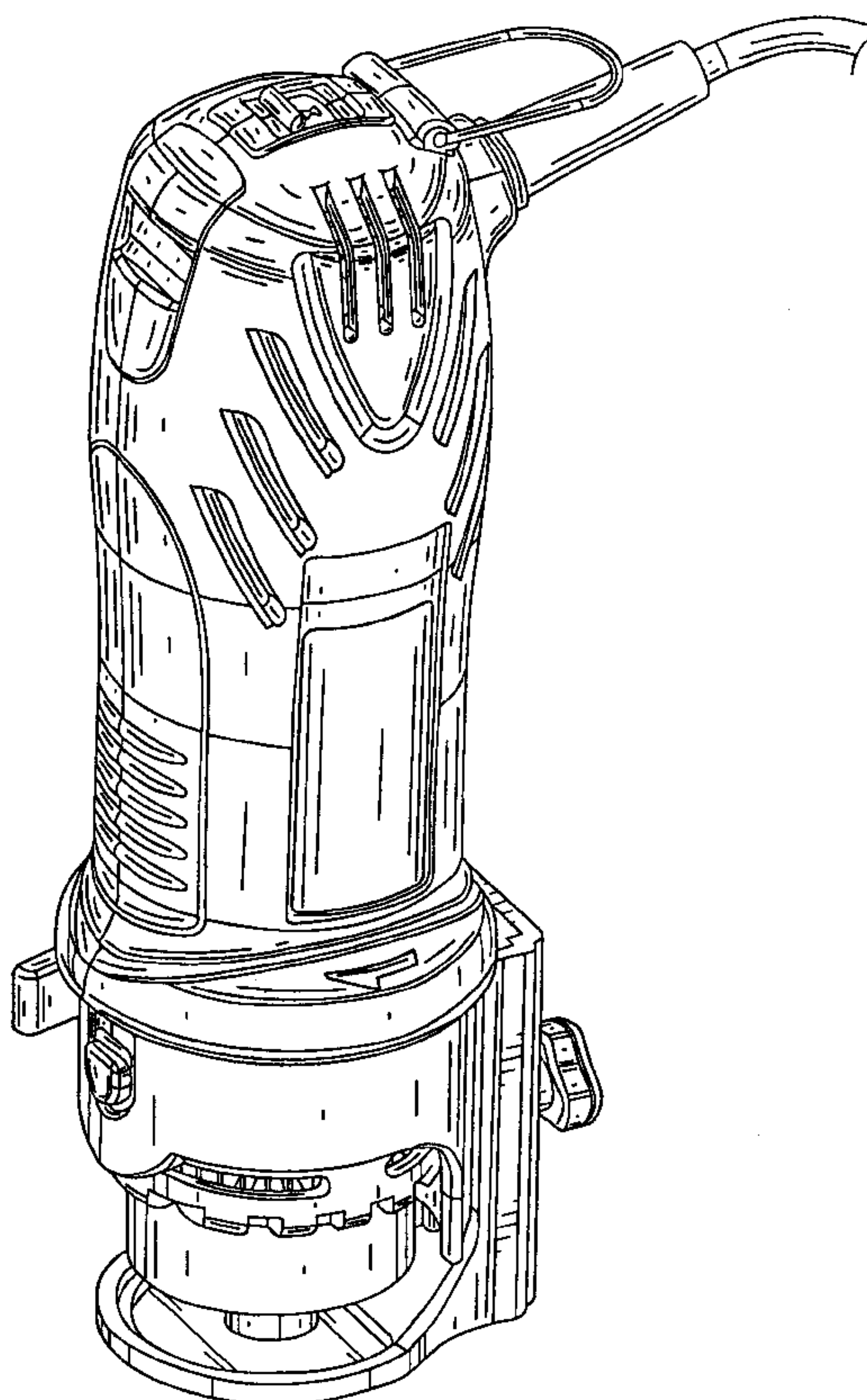
FIG. 8 is a bottom plan view thereof with the cord broken away for purposes of illustration.

(56) **References Cited**

U.S. PATENT DOCUMENTS

D364,790 S	*	12/1995	Duennes	D8/61
D433,905 S	*	11/2000	Cooper	D8/61
D437,757 S	*	2/2001	Thomson et al.	D8/61
D439,122 S	*	3/2001	Adler et al.	D8/61
D446,100 S	*	8/2001	Heun	D8/61

1 Claim, 6 Drawing Sheets



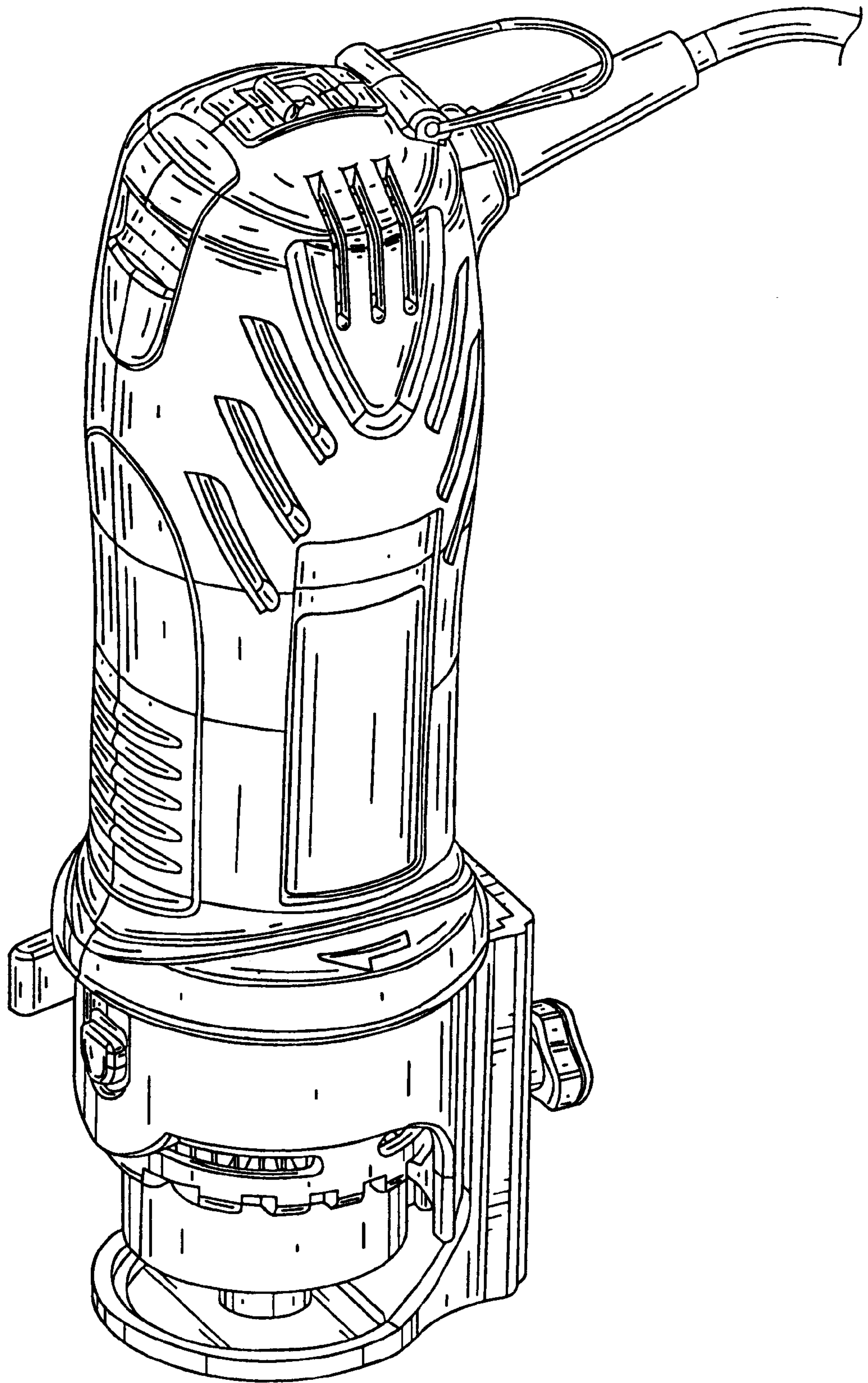


FIG. 1

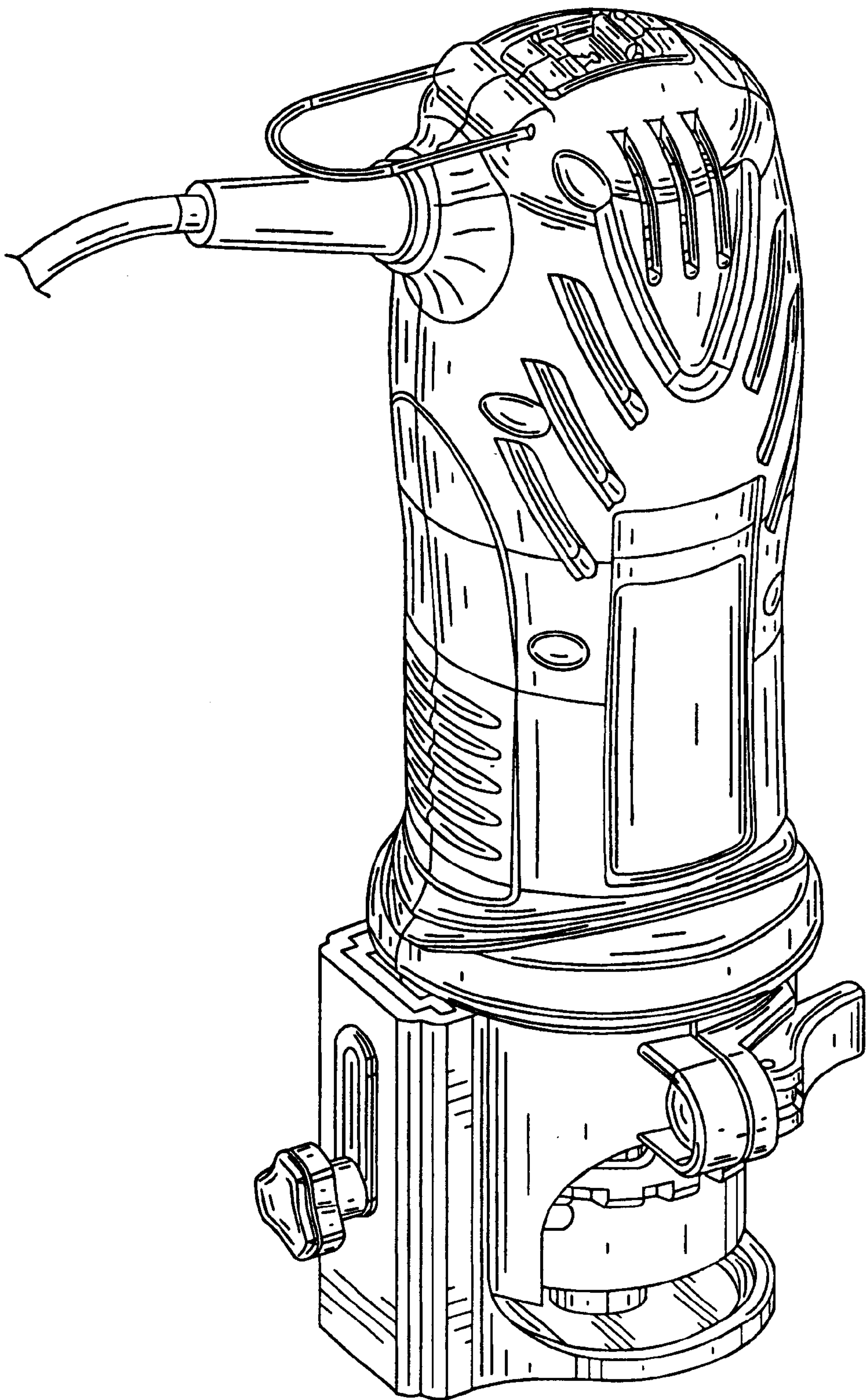


FIG. 2

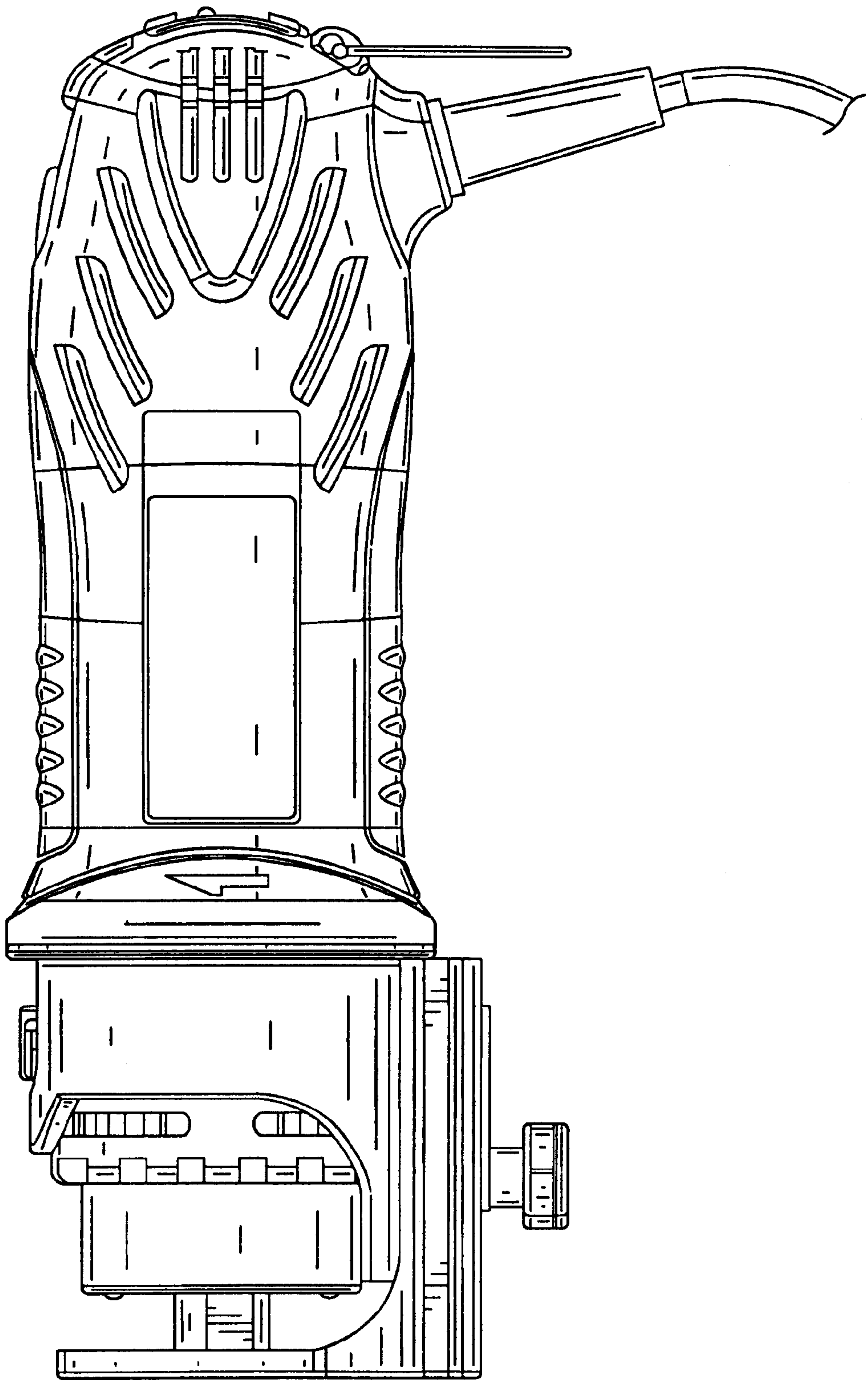


FIG. 3

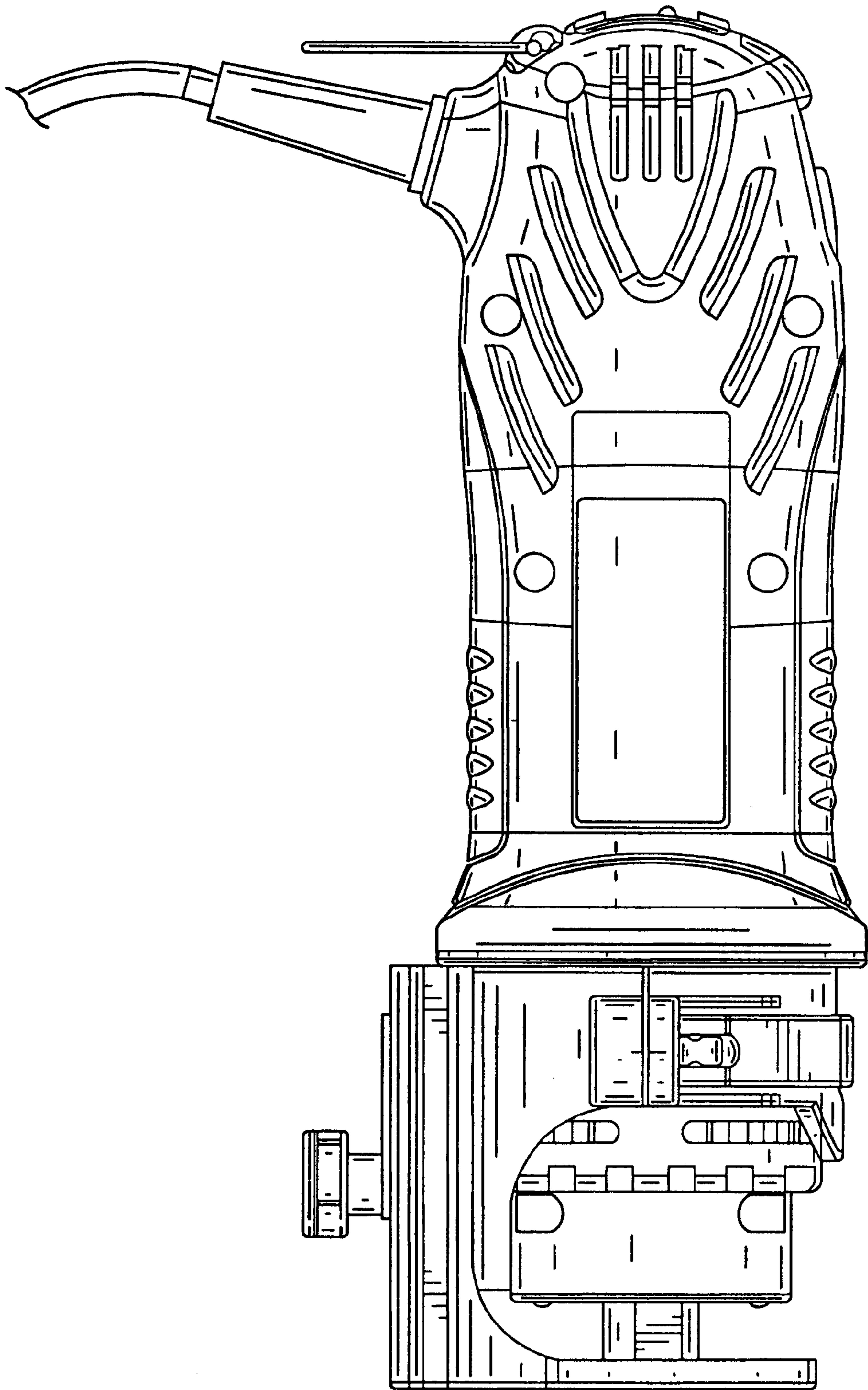


FIG. 4

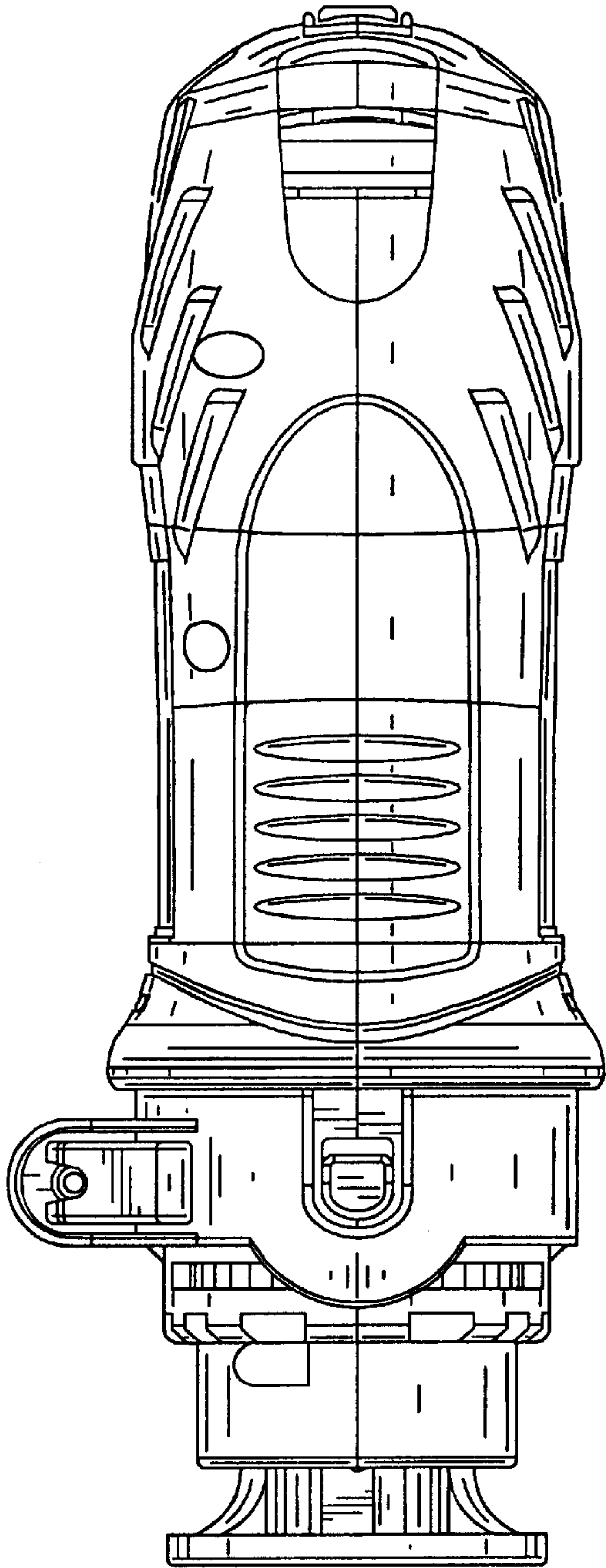


FIG. 5

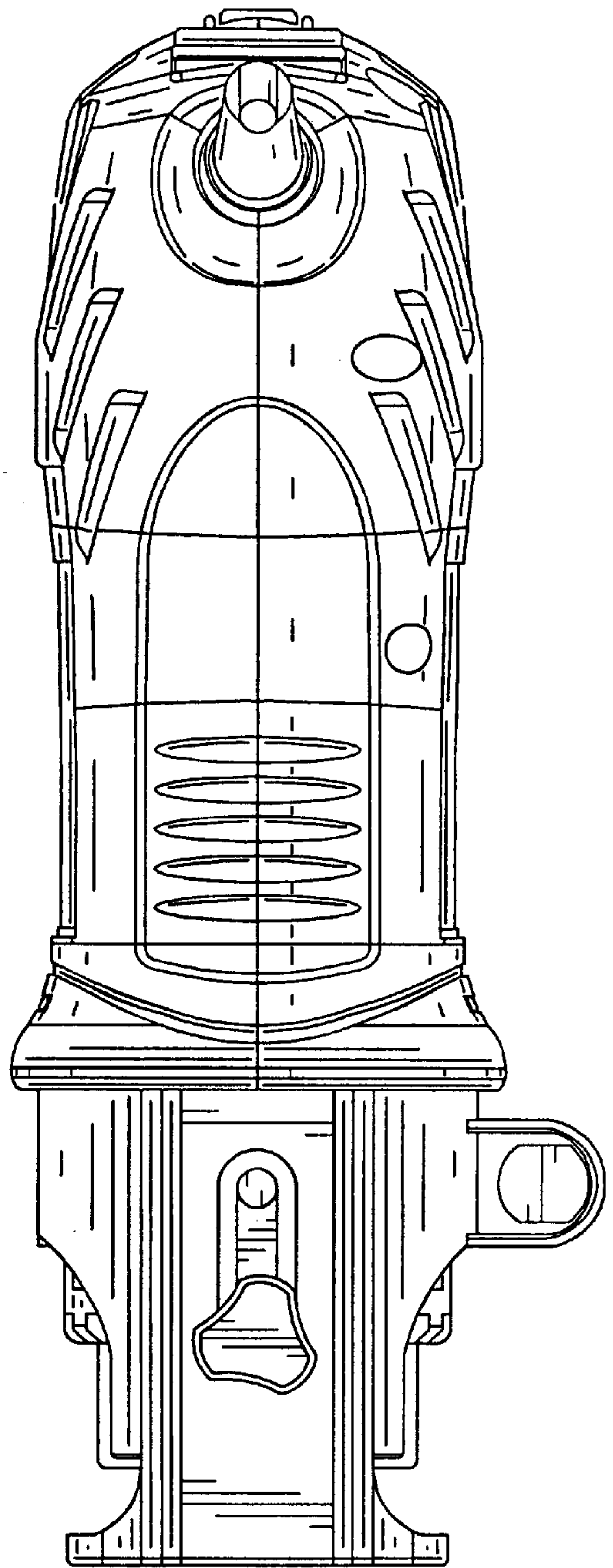


FIG. 6

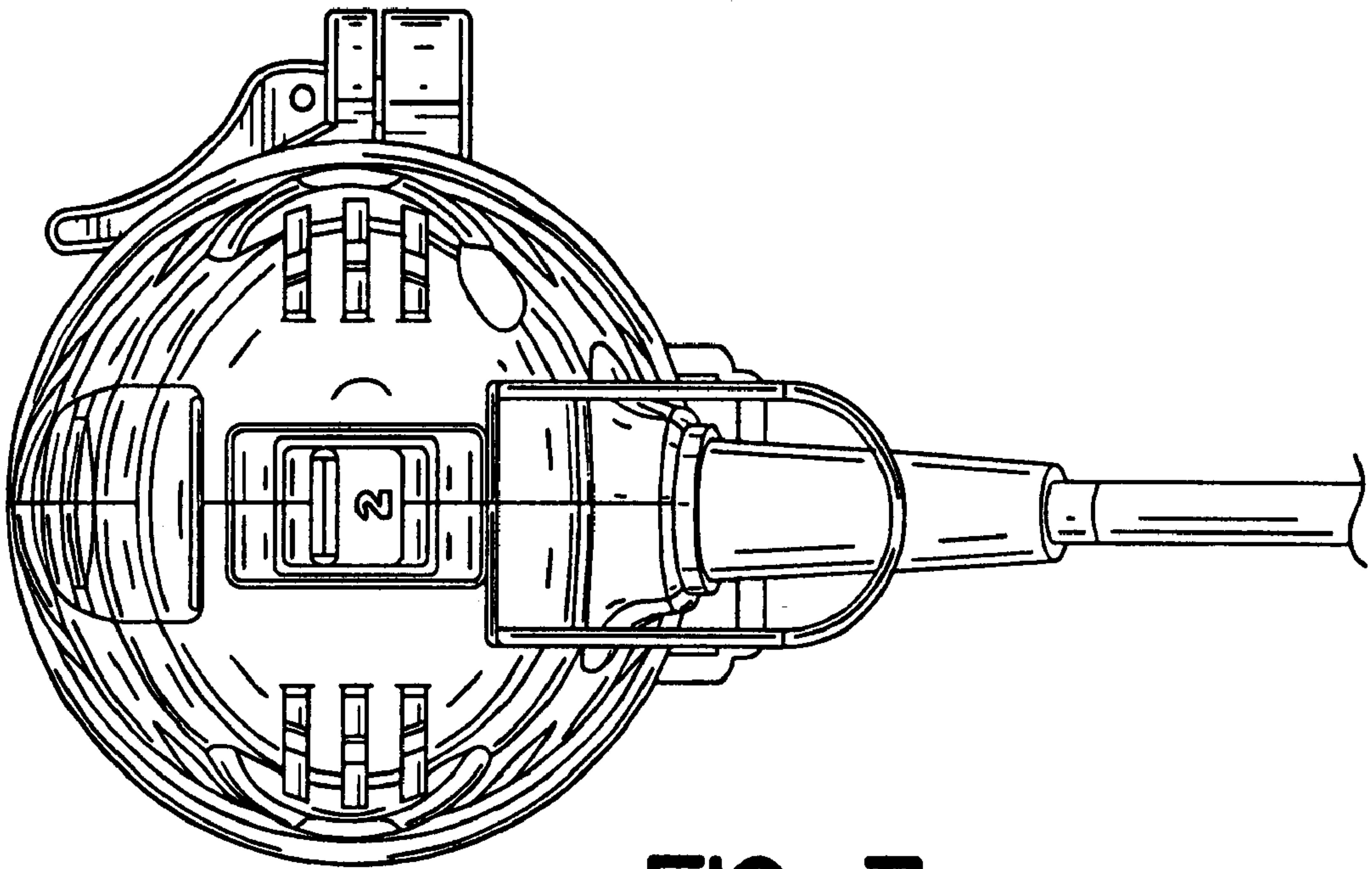


FIG. 7

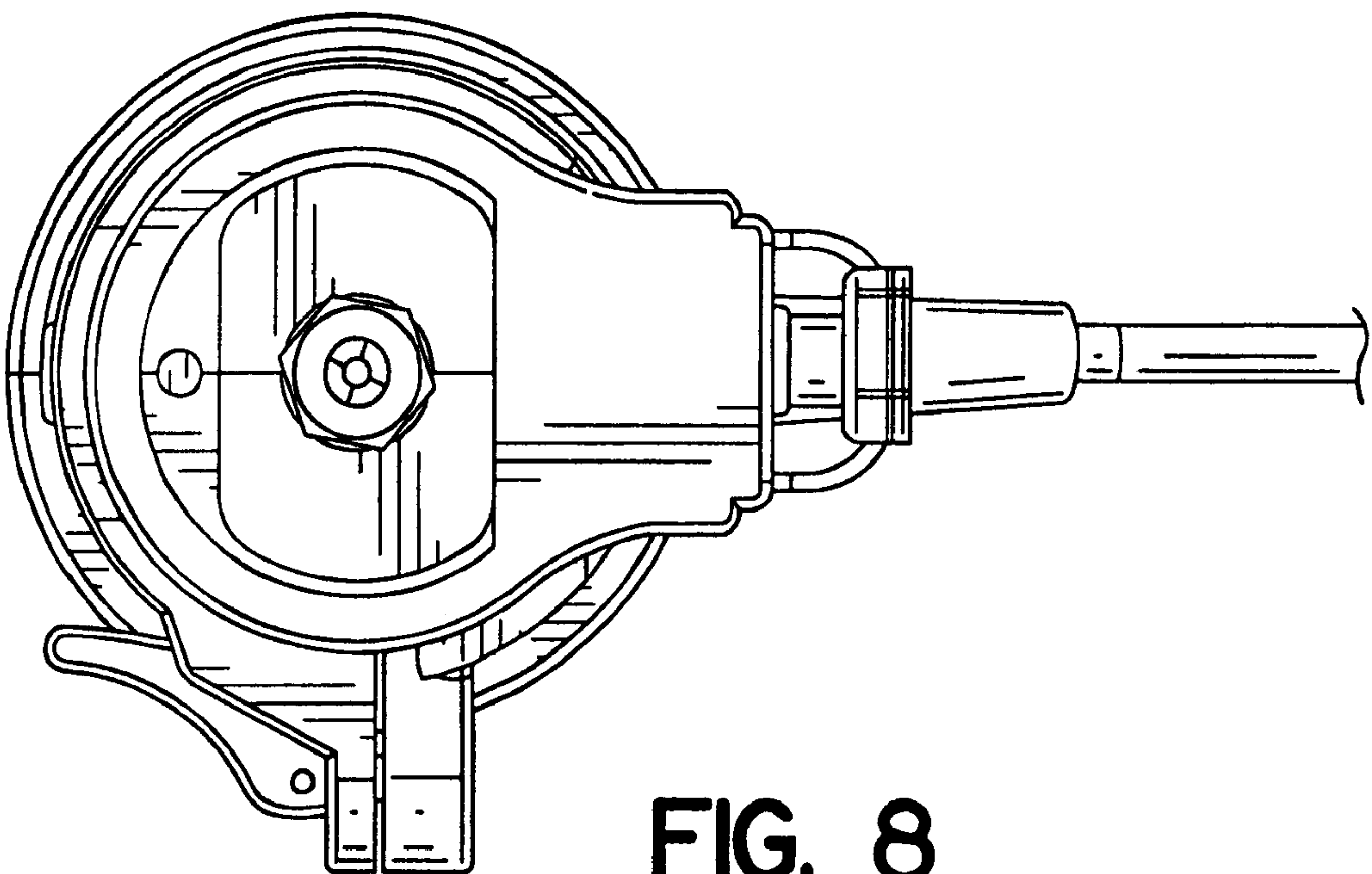


FIG. 8