



US00D470734S

(12) **United States Design Patent**  
**Budrow**

(10) **Patent No.:** **US D470,734 S**

(45) **Date of Patent:** **\*\* Feb. 25, 2003**

(54) **PLIERS WITH DUAL SETS OF OPERATING JAWS**

(75) Inventor: **William B. Budrow**, Long Beach, CA (US)

(73) Assignee: **AWI Acquisition Company**, Sylma, CA (US)

(\*\*) Term: **14 Years**

(21) Appl. No.: **29/161,223**

(22) Filed: **May 24, 2002**

(51) **LOC (7) Cl.** ..... **08-05**

(52) **U.S. Cl.** ..... **D8/55; D8/52**

(58) **Field of Search** ..... D8/52, 54-58, D8/105, 107; 81/303-305, 309, 311, 342, 415-419, 424.5, 427.5, 367, 370, 380, 390, 486, 489; 7/127-135, 167, 168, 165, 118-120

(56) **References Cited**

**U.S. PATENT DOCUMENTS**

D260,132 S	*	8/1981	Shaffer	.....	D8/52
D272,984 S	*	3/1984	Shaffer	.....	D8/52
D405,333 S	*	2/1999	Wrigley	.....	D8/52
5,950,314 A	*	9/1999	Chang	.....	30/244
6,105,189 A	*	8/2000	Nabors et al.	.....	7/128
6,223,374 B1	*	5/2001	Lin	.....	7/127
6,234,050 B1	*	5/2001	Konen et al.	.....	81/417
D448,637 S	*	10/2001	Yeh	.....	D8/105
2002/0023524 A1	*	2/2002	Lowe et al.	.....	81/427.5

\* cited by examiner

*Primary Examiner*—Alan P. Douglas

*Assistant Examiner*—Clare E. Heflin

(74) *Attorney, Agent, or Firm*—Jack C. Munro

(57) **CLAIM**

The ornamental design for pliers with dual sets of operating jaws, as shown and described.

**DESCRIPTION**

FIG. 1 is a front elevational view of the pliers with dual sets of operating jaws of the present invention showing a snub nosed set of operating jaws in position for usage;

FIG. 2 is a right side elevational view of the pliers of FIG. 1;

FIG. 3 is a top plan view of the pliers of FIG. 1;

FIG. 4 is a back elevational view of the pliers of FIG. 1;

FIG. 5 is a left side elevational view of the pliers of FIG. 1;

FIG. 6 is a bottom plan view of the pliers of FIG. 1;

FIG. 7 is a front elevational view of the pliers with dual sets of operating jaws of the present invention showing a needle nosed operating jaws in the usage position;

FIG. 8 is a right side elevational view of the pliers of FIG. 7;

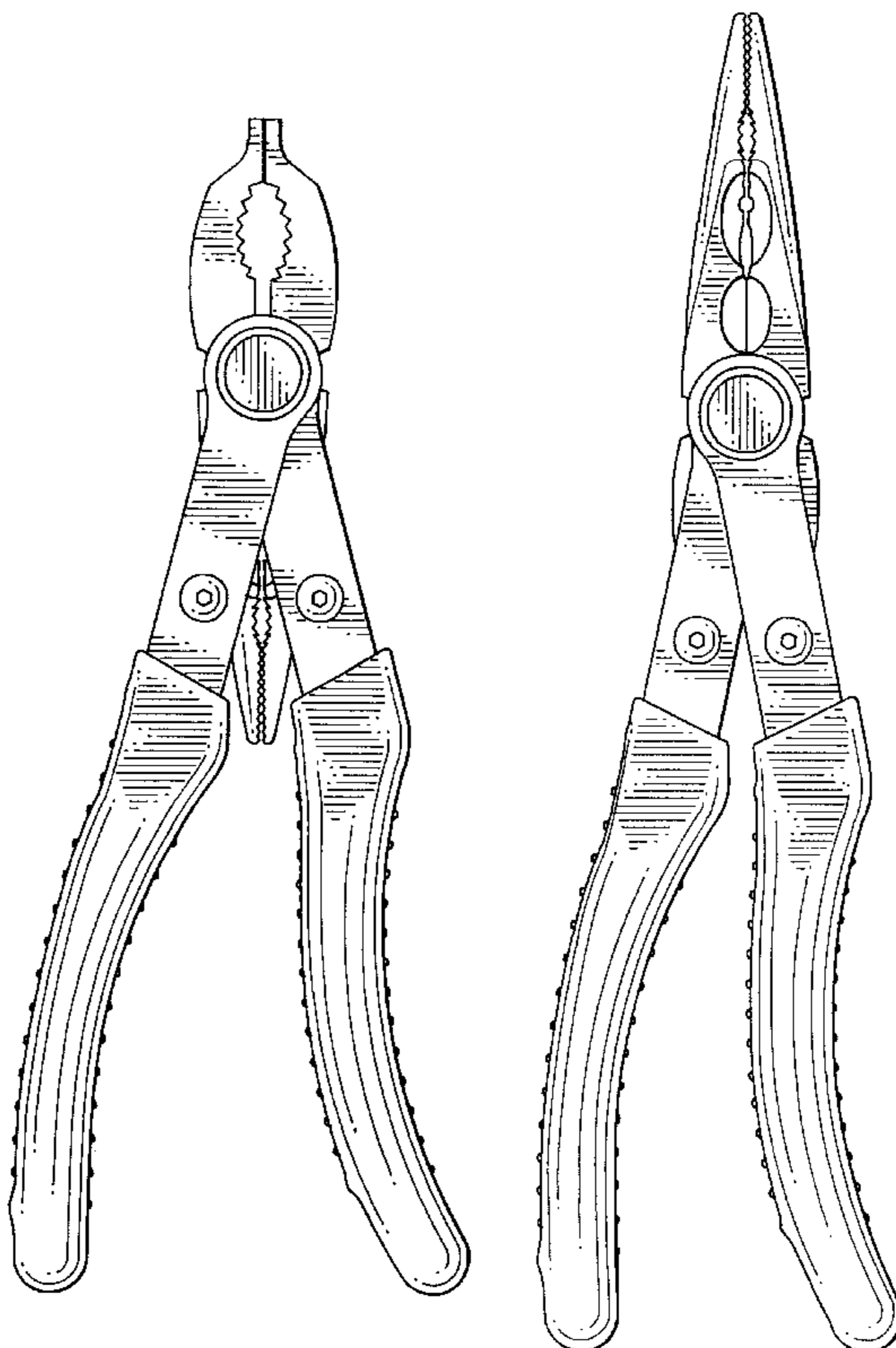
FIG. 9 is a top plan view of the pliers of FIG. 7;

FIG. 10 is a back elevational view of the pliers of FIG. 7;

FIG. 11 is a left side elevational view of the pliers of FIG. 7; and,

FIG. 12 is a bottom plan view of the pliers of FIG. 7.

**1 Claim, 4 Drawing Sheets**



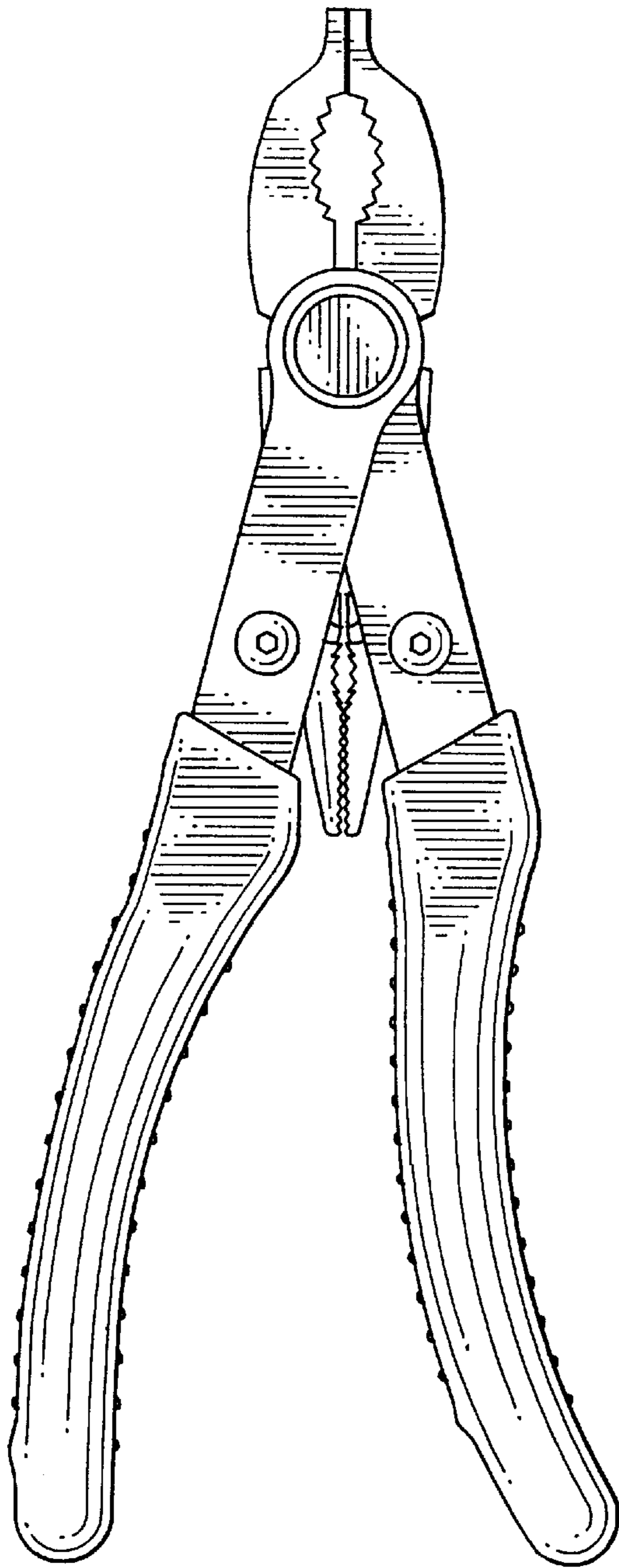


FIG. 1

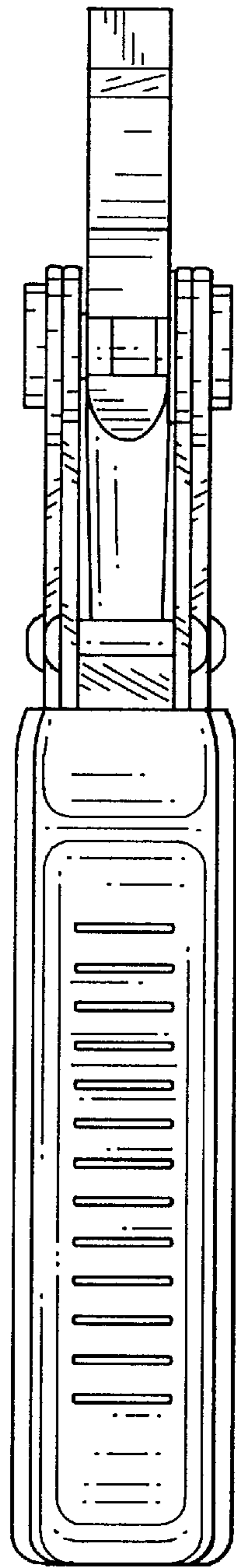


FIG. 2

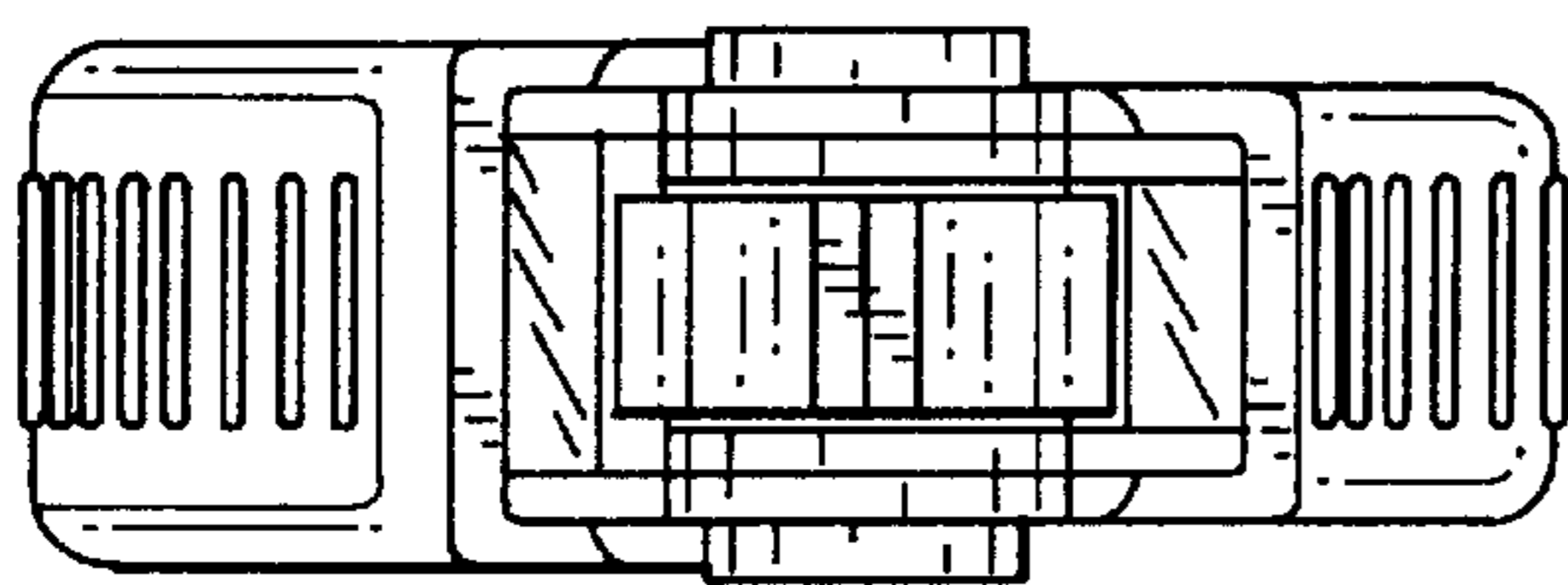


FIG. 3

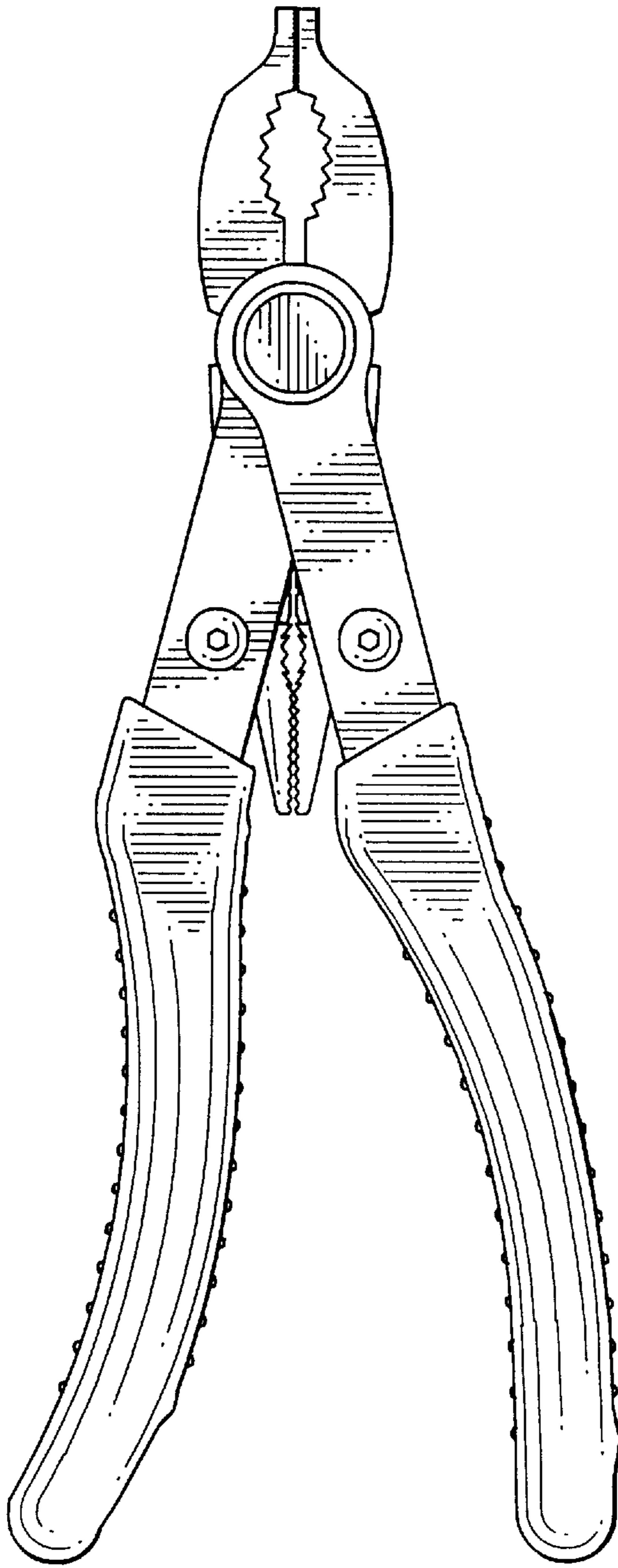


FIG. 4

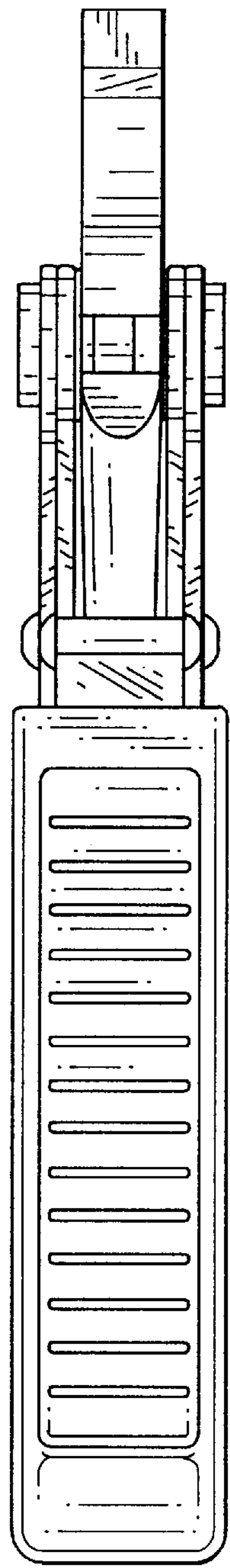


FIG. 5

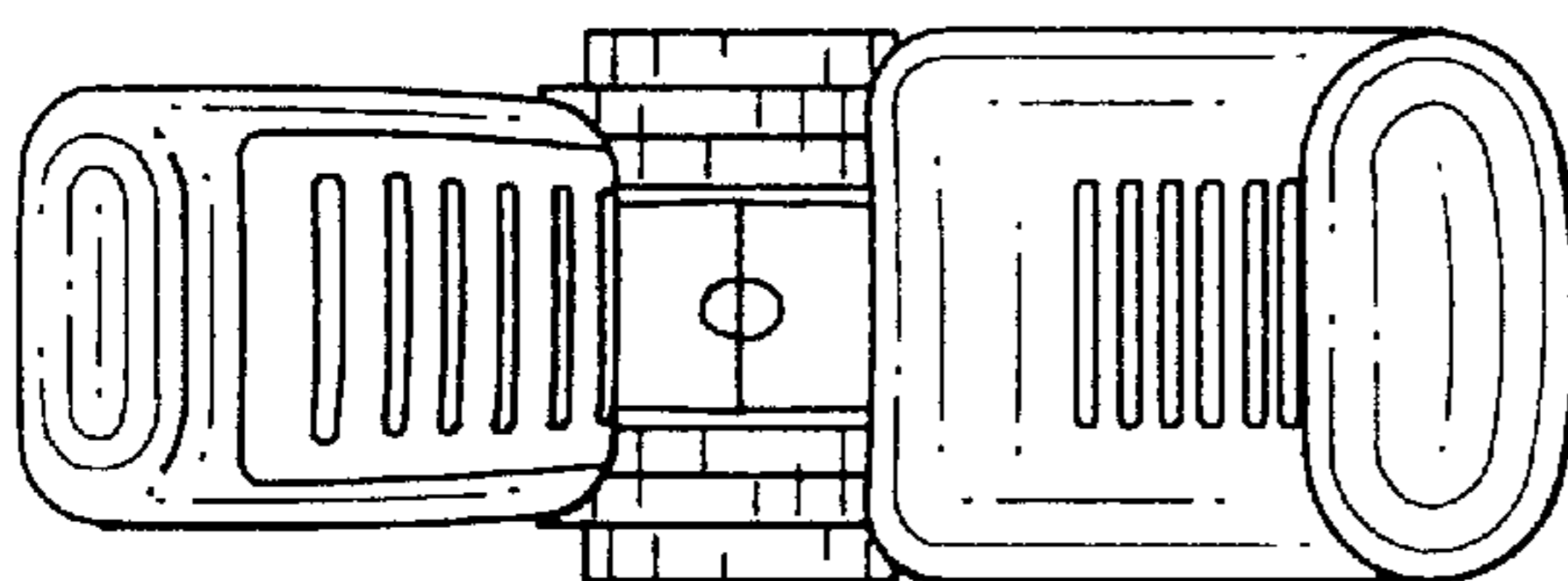


FIG. 6

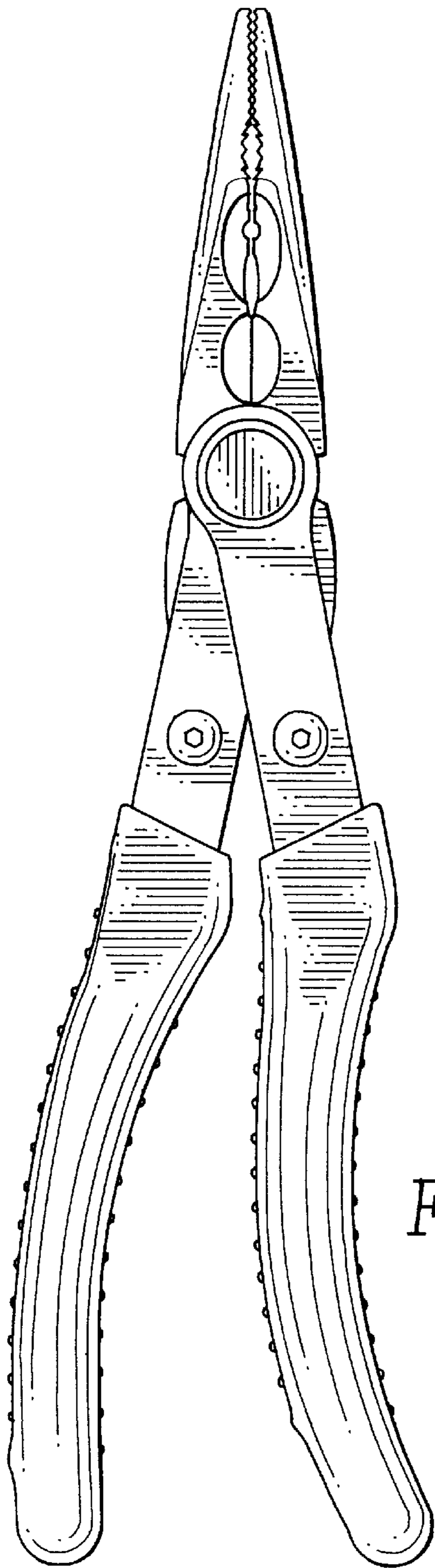


FIG. 7

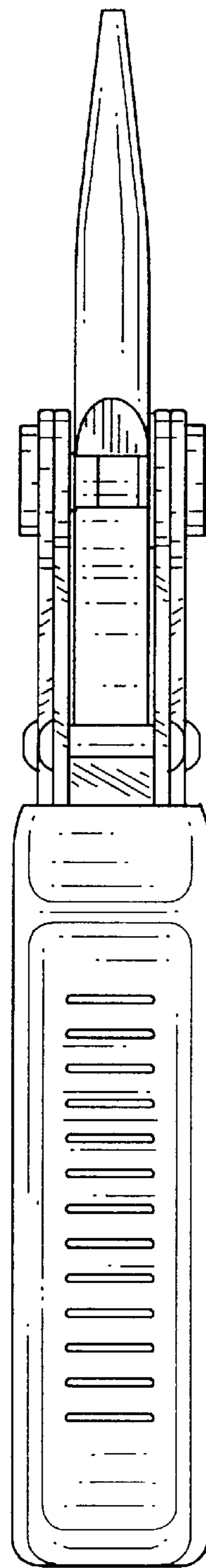


FIG. 8

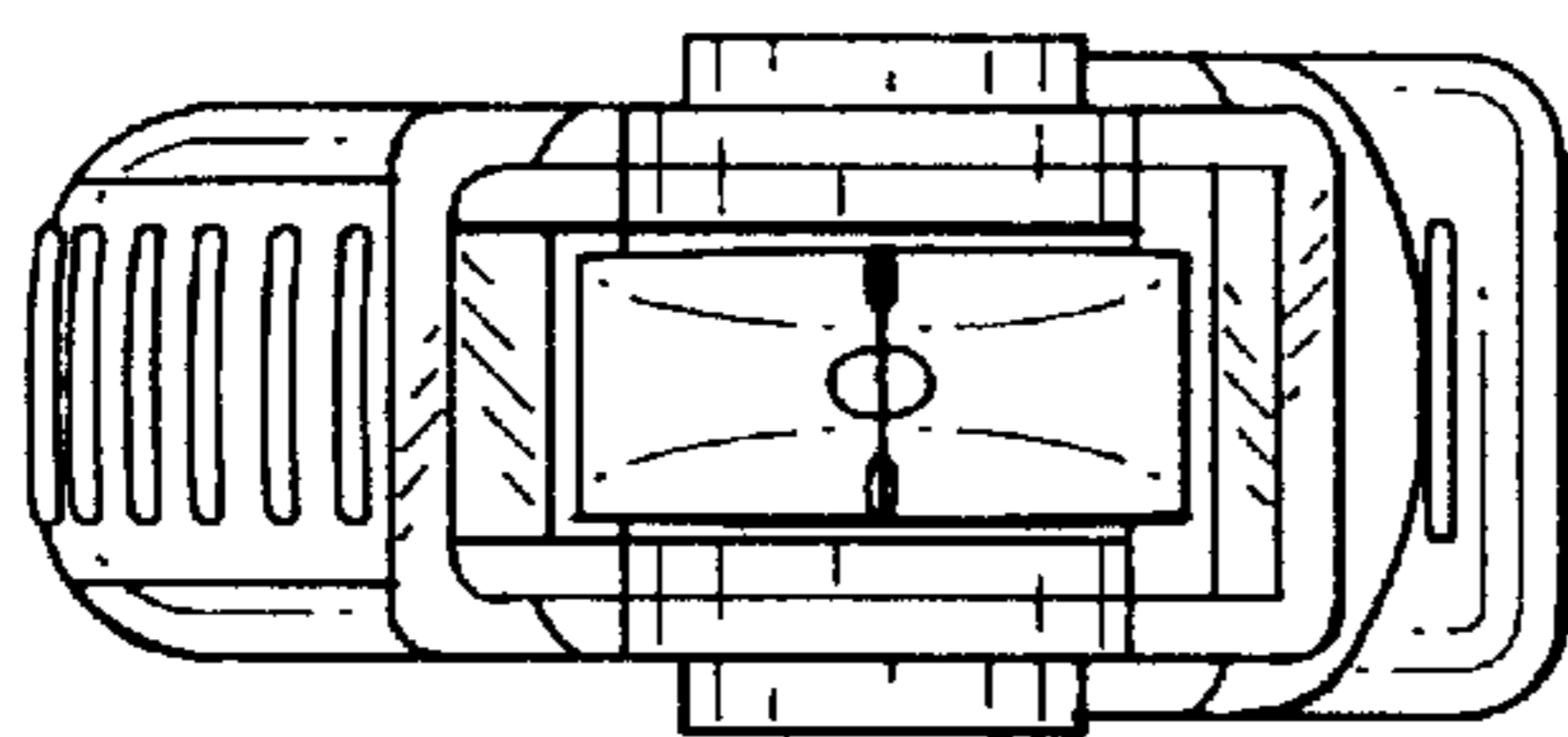


FIG. 9

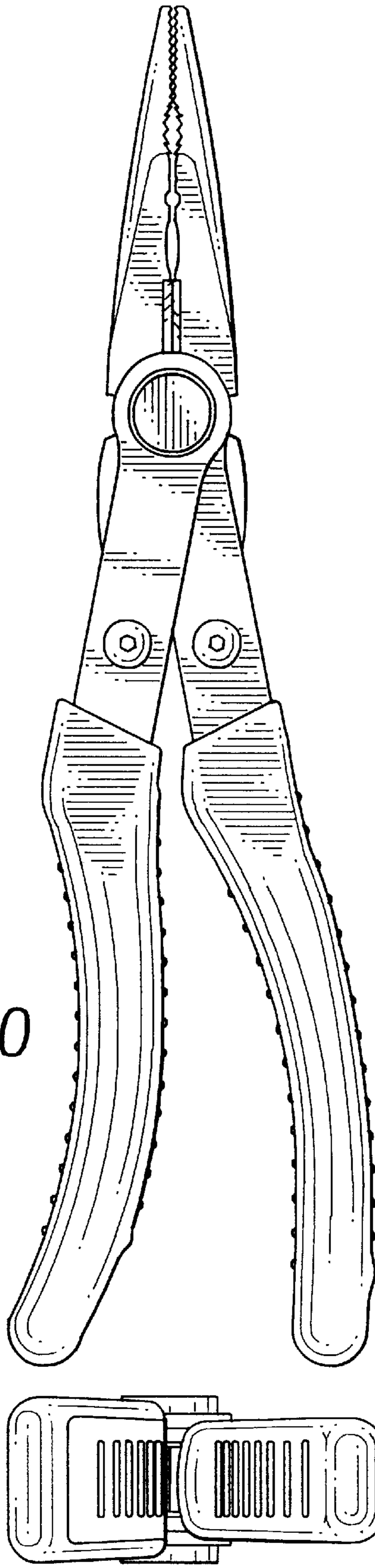


FIG. 10

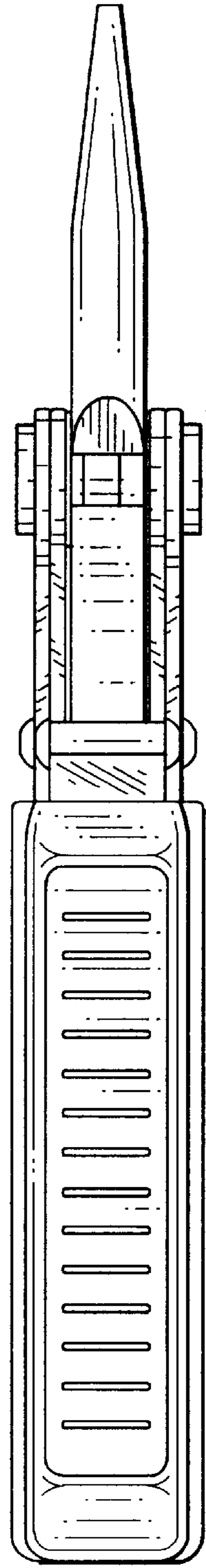


FIG. 11

FIG. 12

