



US00D470731S

(12) **United States Design Patent**  
**Hipgrave et al.**

(10) **Patent No.:** **US D470,731 S**

(45) **Date of Patent:** **\*\* Feb. 25, 2003**

(54) **PLANTER WITH MOUNTABLE WATERING TUBE**

(76) Inventors: **Edward Norris John Hipgrave**, 15 Green Lanes, Hatfield Garden Village, Hertfordshire (GB), AL10 9JT; **Chris Bushell**, 38 Beverley Gardens, St. Albans, Hertfordshire (GB), AL4 9BJ

(\*\*) Term: **14 Years**

(21) Appl. No.: **29/160,012**

(22) Filed: **May 2, 2002**

(51) **LOC (7) Cl.** ..... **08-01**

(52) **U.S. Cl.** ..... **D8/1**

(58) **Field of Search** ..... D8/1; 47/48.5, 47/40.5, 79, 81, 82

(56) **References Cited**

**U.S. PATENT DOCUMENTS**

- D257,529 S \* 11/1980 Raap ..... D11/144
- 4,454,684 A \* 6/1984 O'hare ..... 47/82
- 5,644,868 A \* 7/1997 Lui ..... 47/81

- 6,219,969 B1 \* 4/2001 Dion ..... 47/79
- 6,226,921 B1 \* 5/2001 Kang ..... 47/81
- 6,279,265 B1 \* 8/2001 Scannell ..... 47/79
- 6,378,247 B1 \* 4/2002 Takahashi ..... 47/40.5
- 6,405,482 B1 \* 6/2002 Skaife ..... 47/79

\* cited by examiner

*Primary Examiner*—Robin V. Taylor

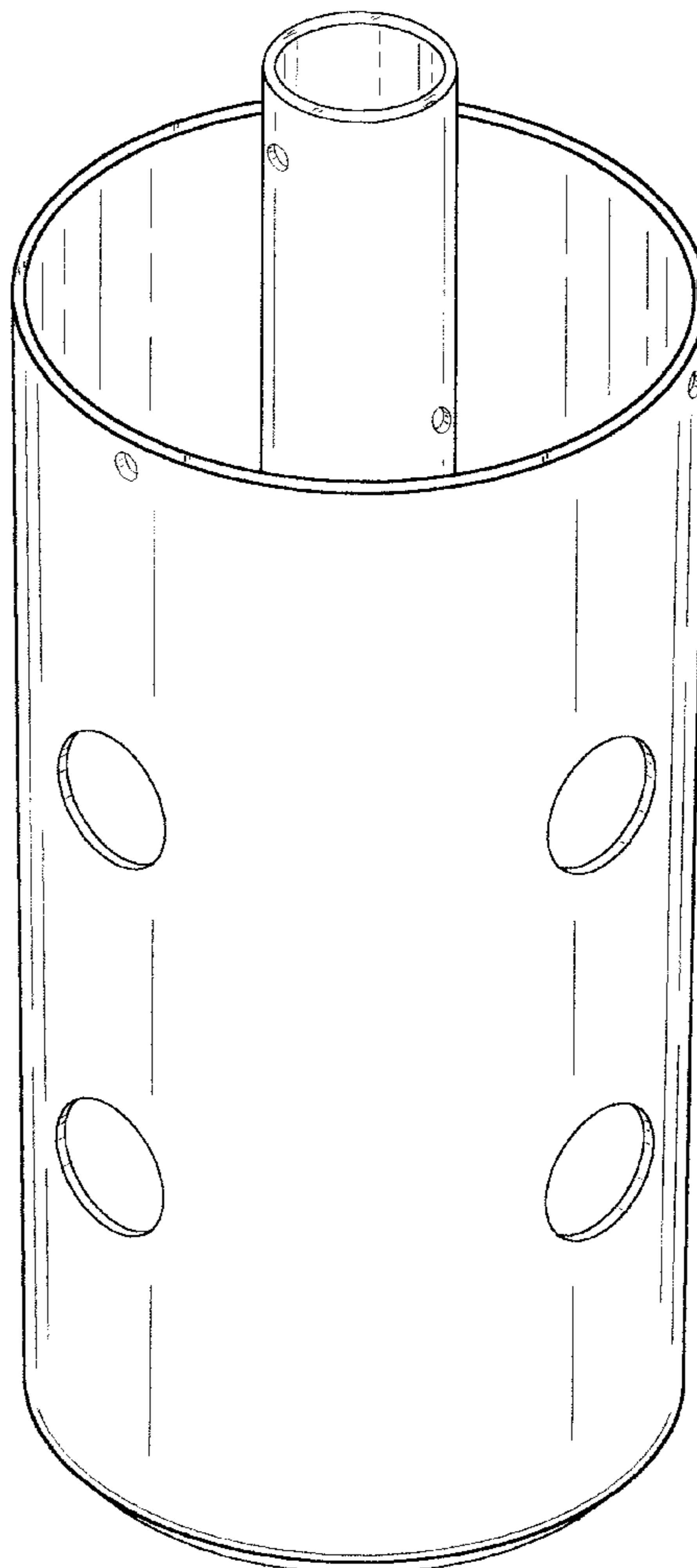
(57) **CLAIM**

The ornamental design for a planter with mountable watering tube, as shown and described.

**DESCRIPTION**

FIG. 1 is a exploded front elevational view of a planter with mountable watering tube showing my new design;  
 FIG. 2 is a rear elevational view thereof;  
 FIG. 3 is a side view, taken from the left side of FIG. 1, the right side view being a mirror image thereof;  
 FIG. 4 is a top plan view thereof;  
 FIG. 5 is a bottom plan view thereof; and,  
 FIG. 6 is a perspective view of the assembled planter with mountable watering tube of my new design.

**1 Claim, 6 Drawing Sheets**



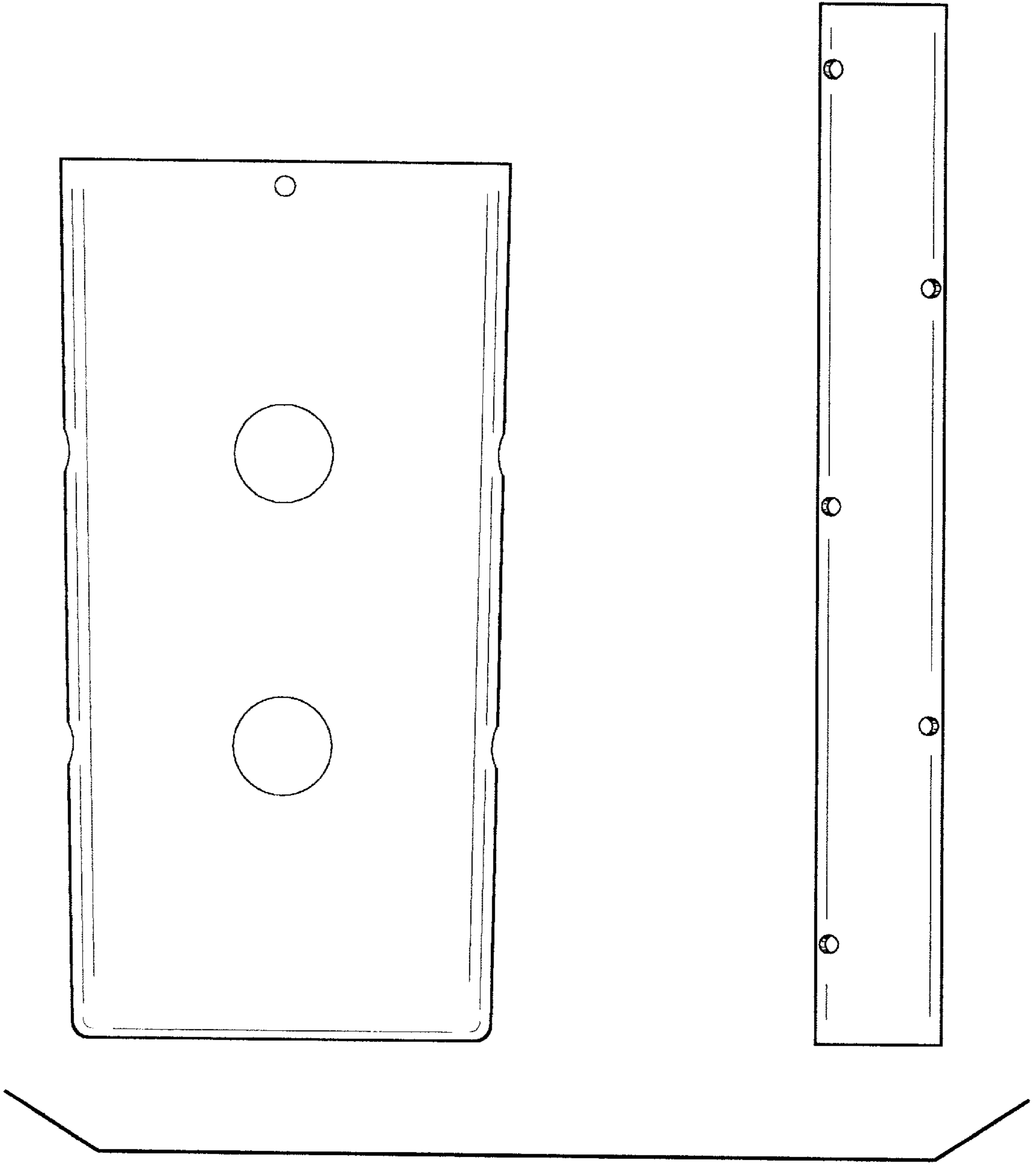


FIG. 1

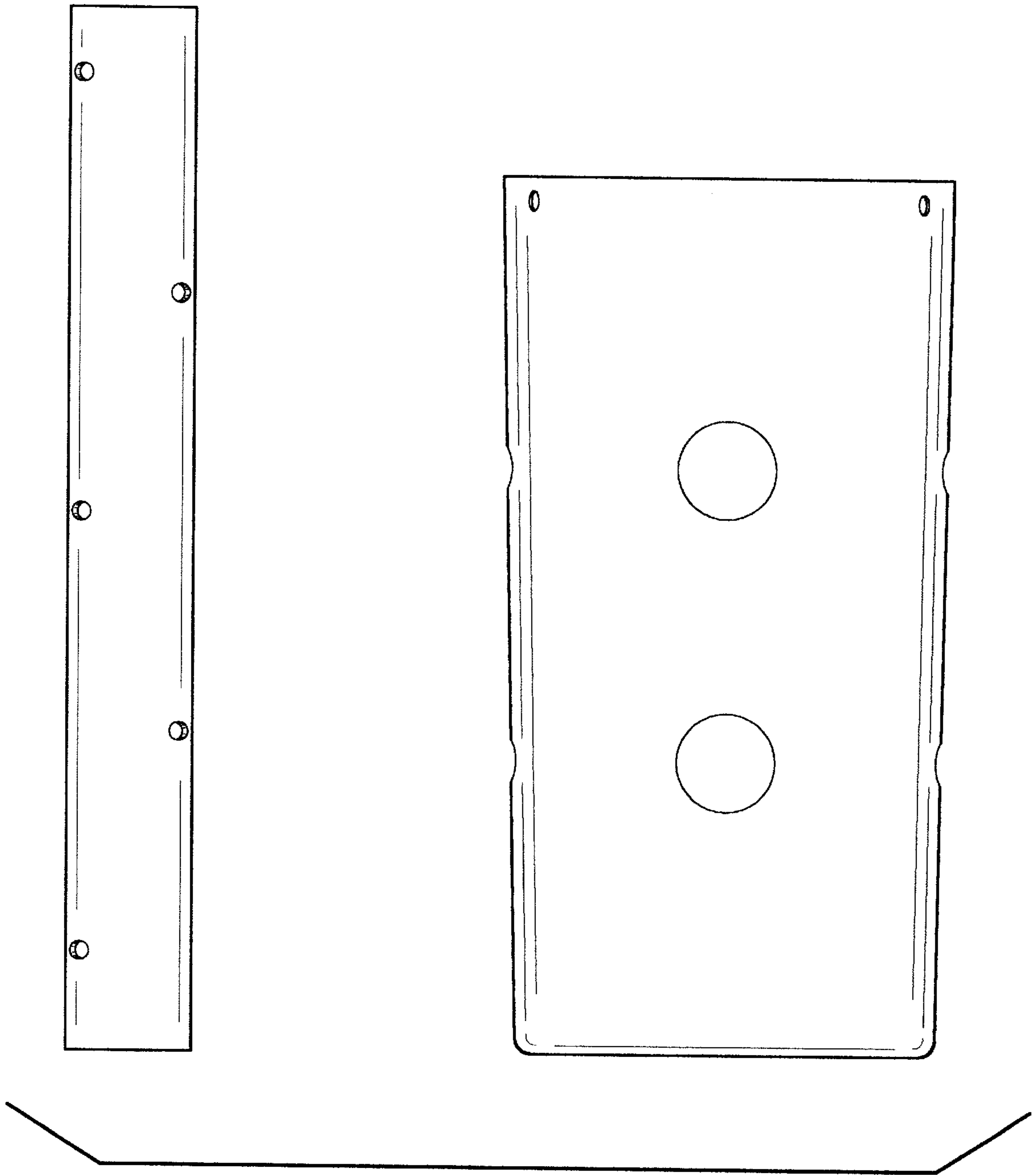


FIG. 2

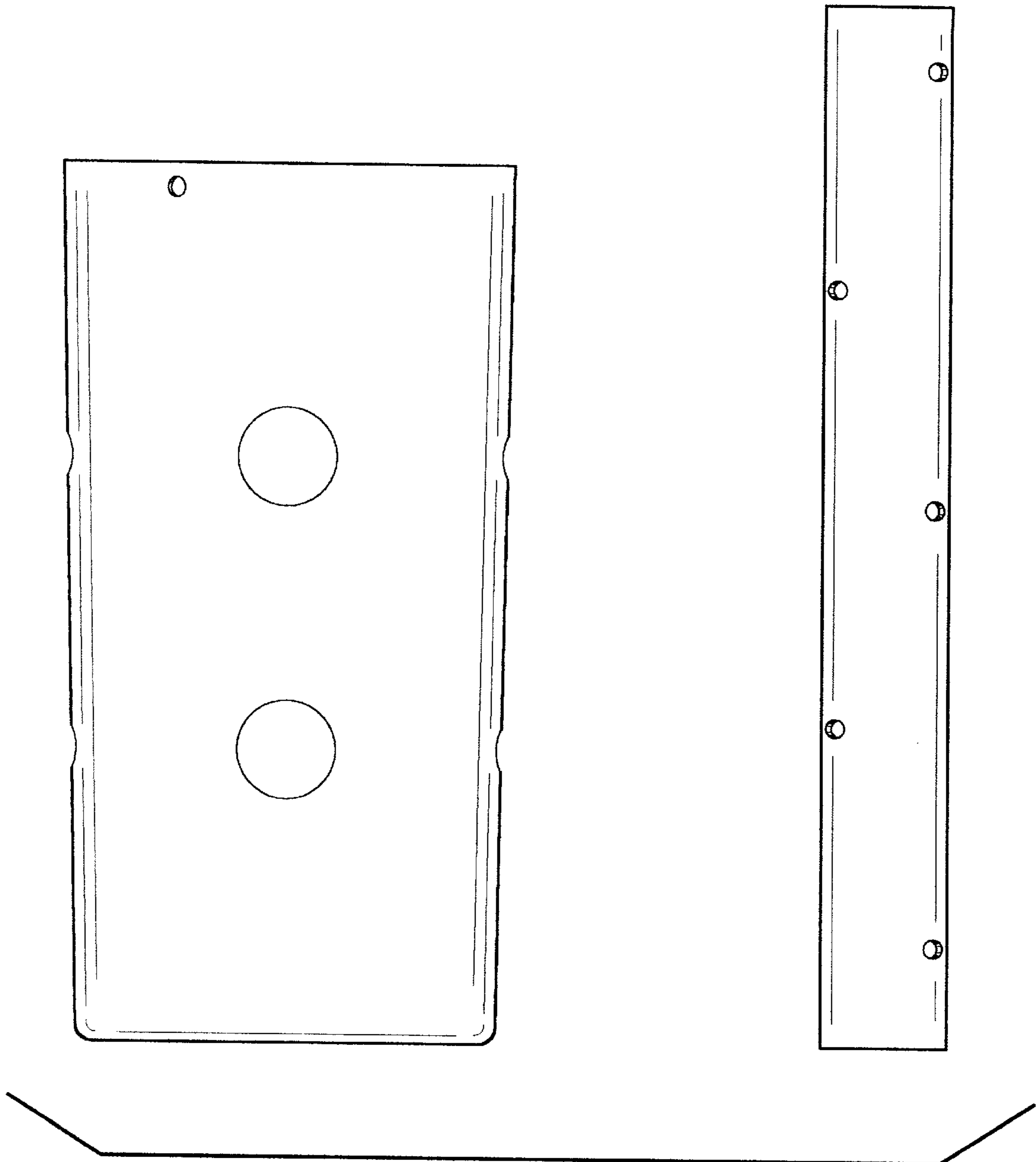


FIG. 3

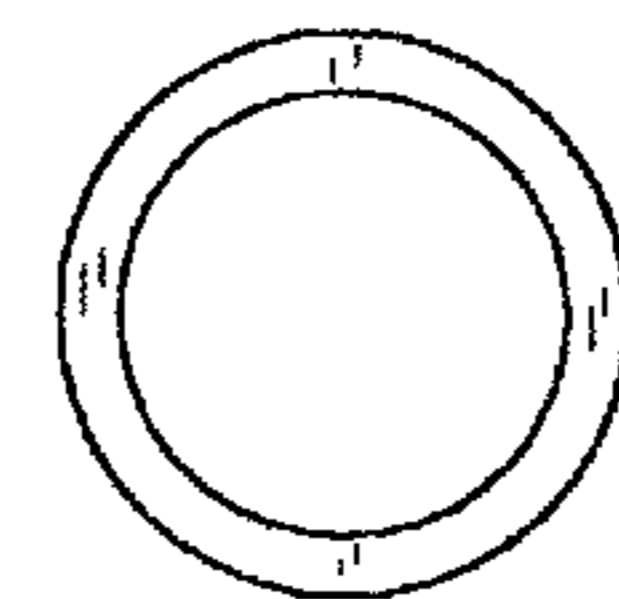
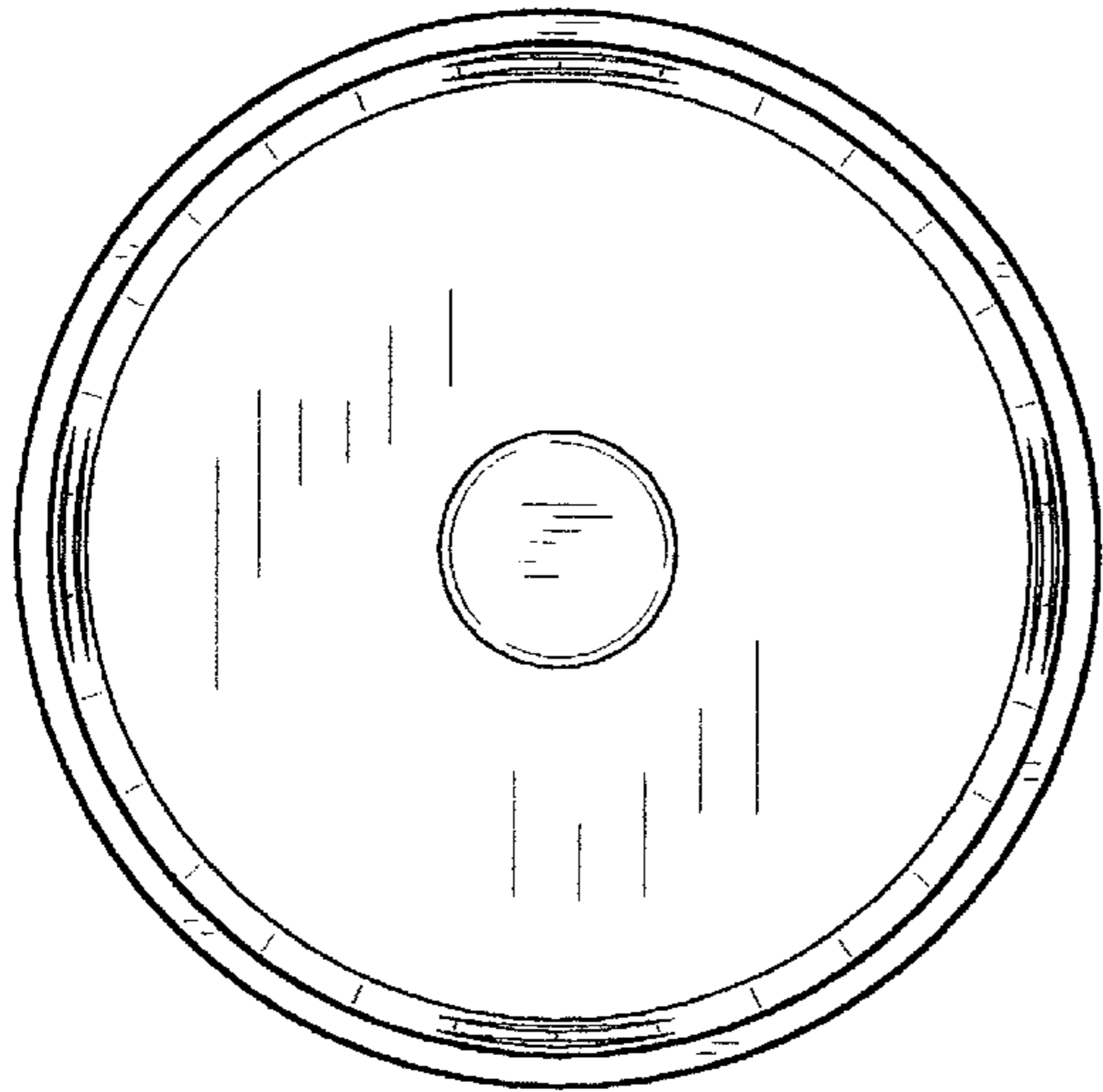


FIG. 4

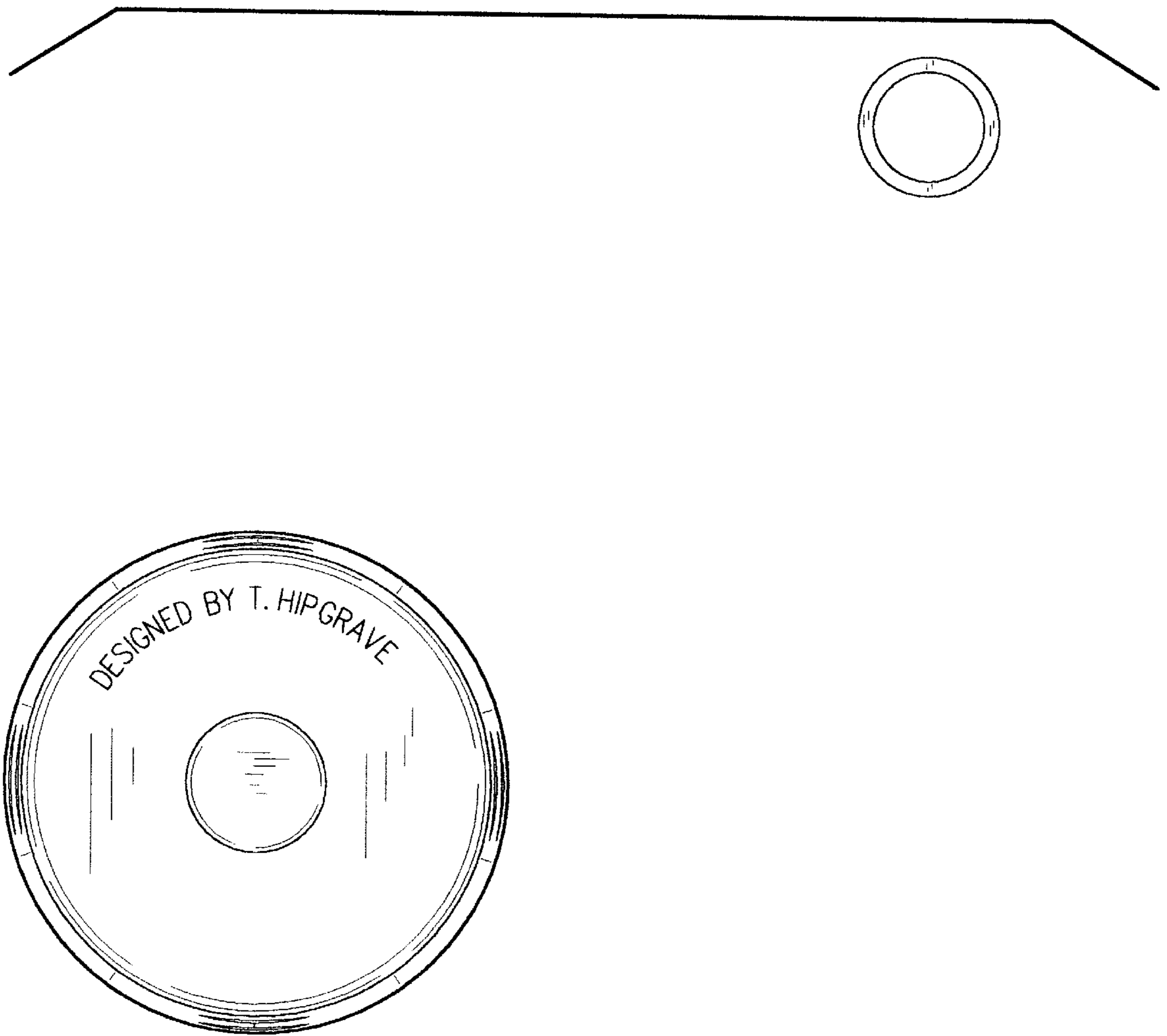


FIG. 5

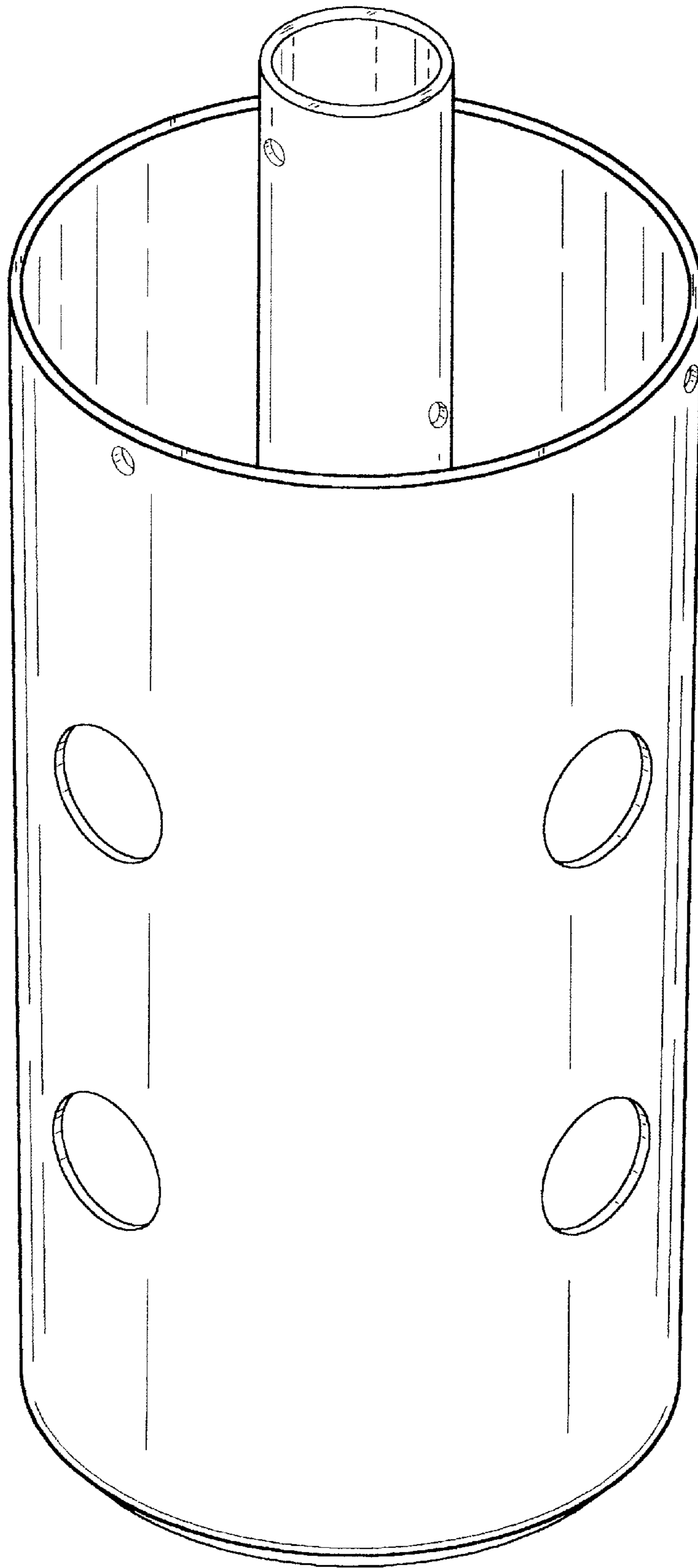


FIG. 6