



US00D470726S

(12) **United States Design Patent**
Kautzky et al.

(10) **Patent No.:** **US D470,726 S**

(45) **Date of Patent:** **** Feb. 25, 2003**

(54) **DEVICE FOR ATTACHING A CONTAINER
HOLDER TO A CYMBAL OR MICROPHONE
STAND**

3,226,075 A * 12/1965 Hopkins et al. 248/313
5,190,257 A * 3/1993 Gradei et al. 248/311.2 X
D357,613 S * 4/1995 Schultz D7/620

(76) Inventors: **Kevin Joseph Kautzky**, 10739 Kling
St., Toluca Lake, CA (US) 91602;
Douglas Michael Kautzky, 4533
Tobias Ave., Sherman Oaks, CA (US)
91403

* cited by examiner

Primary Examiner—Terry A. Wallace
(74) *Attorney, Agent, or Firm*—Edward A. Sokolski

(**) Term: **14 Years**

(57) **CLAIM**

The ornamental design for a device for attaching a container holder to a cymbal or microphone stand, as shown and described.

(21) Appl. No.: **29/156,227**

(22) Filed: **Feb. 27, 2002**

DESCRIPTION

(51) **LOC (7) Cl.** **07-06**

(52) **U.S. Cl.** **D7/620; D14/229; D17/22**

(58) **Field of Search** D7/619, 620; D8/394,
D8/397, 398; D14/229, 299; D17/22, 99;
215/395, 396; 220/737; 297/188.14, 188.18;
248/309.1, 310, 311.2, 313

FIG. 1 is a top perspective view of a device for attaching a container holder to a cymbal or microphone stand showing our new design;

FIG. 2 is a top plan view thereof;

FIG. 3 is a side elevation view thereof;

FIG. 4 is a bottom plan view thereof;

FIG. 5 is a rear elevation view thereof; and,

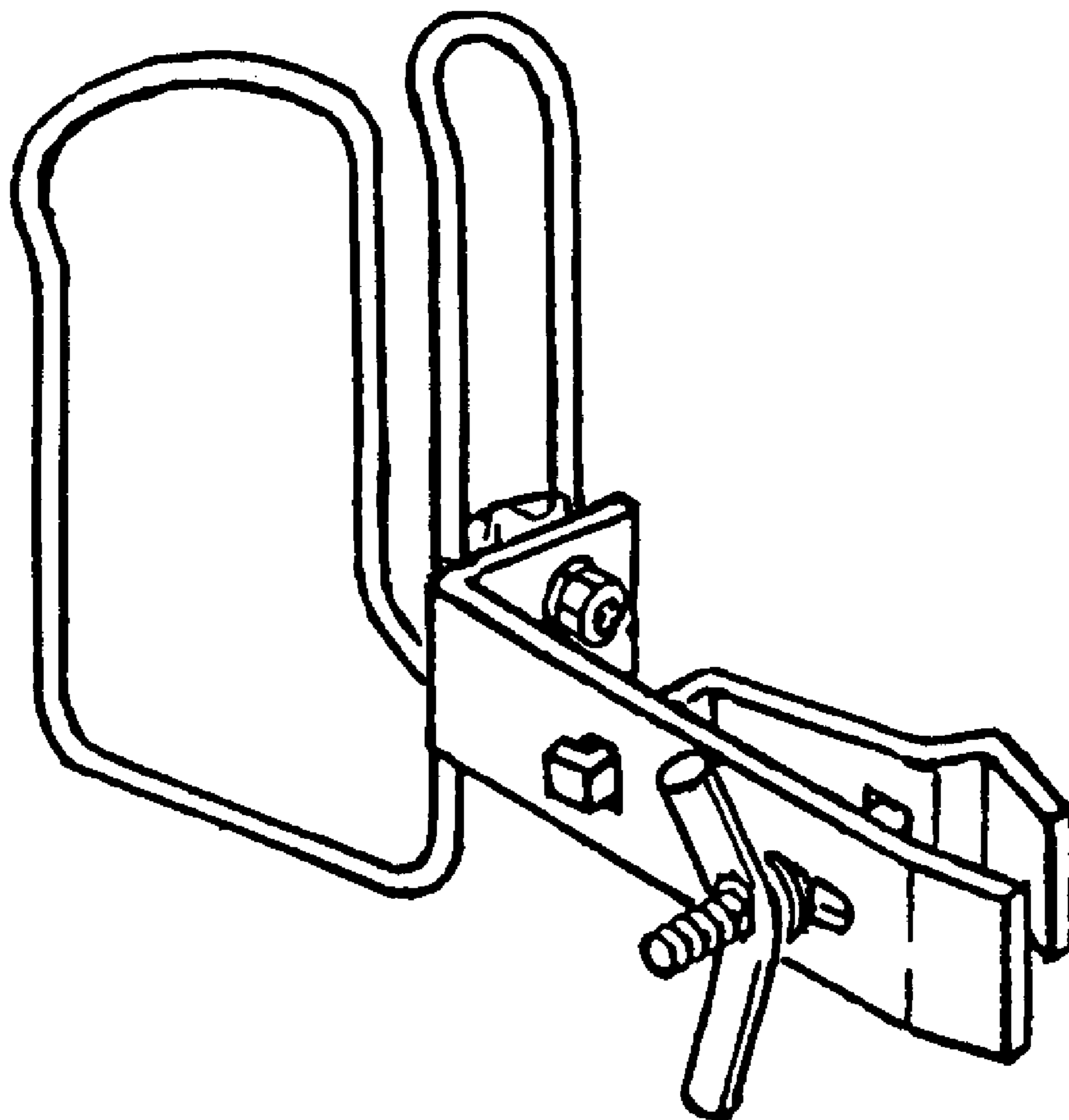
FIG. 6 is a front elevation view thereof.

(56) **References Cited**

U.S. PATENT DOCUMENTS

D203,055 S * 11/1965 Robinson D7/620

1 Claim, 1 Drawing Sheet



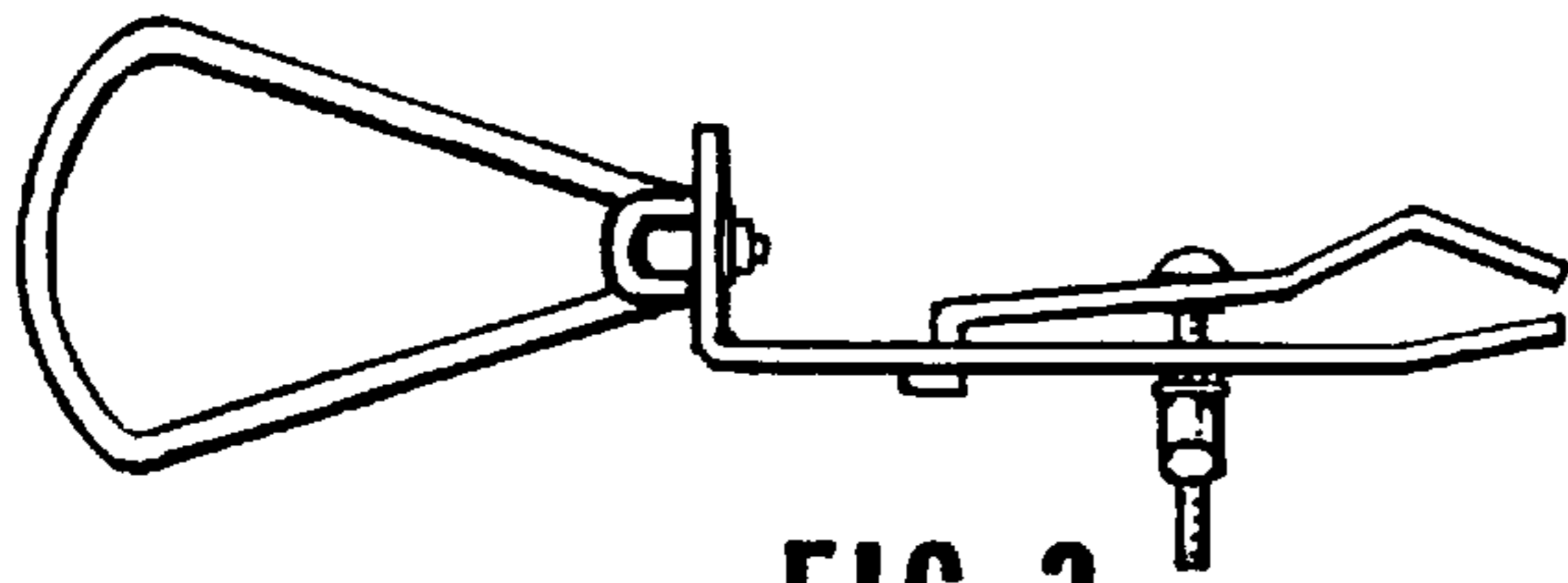


FIG. 2

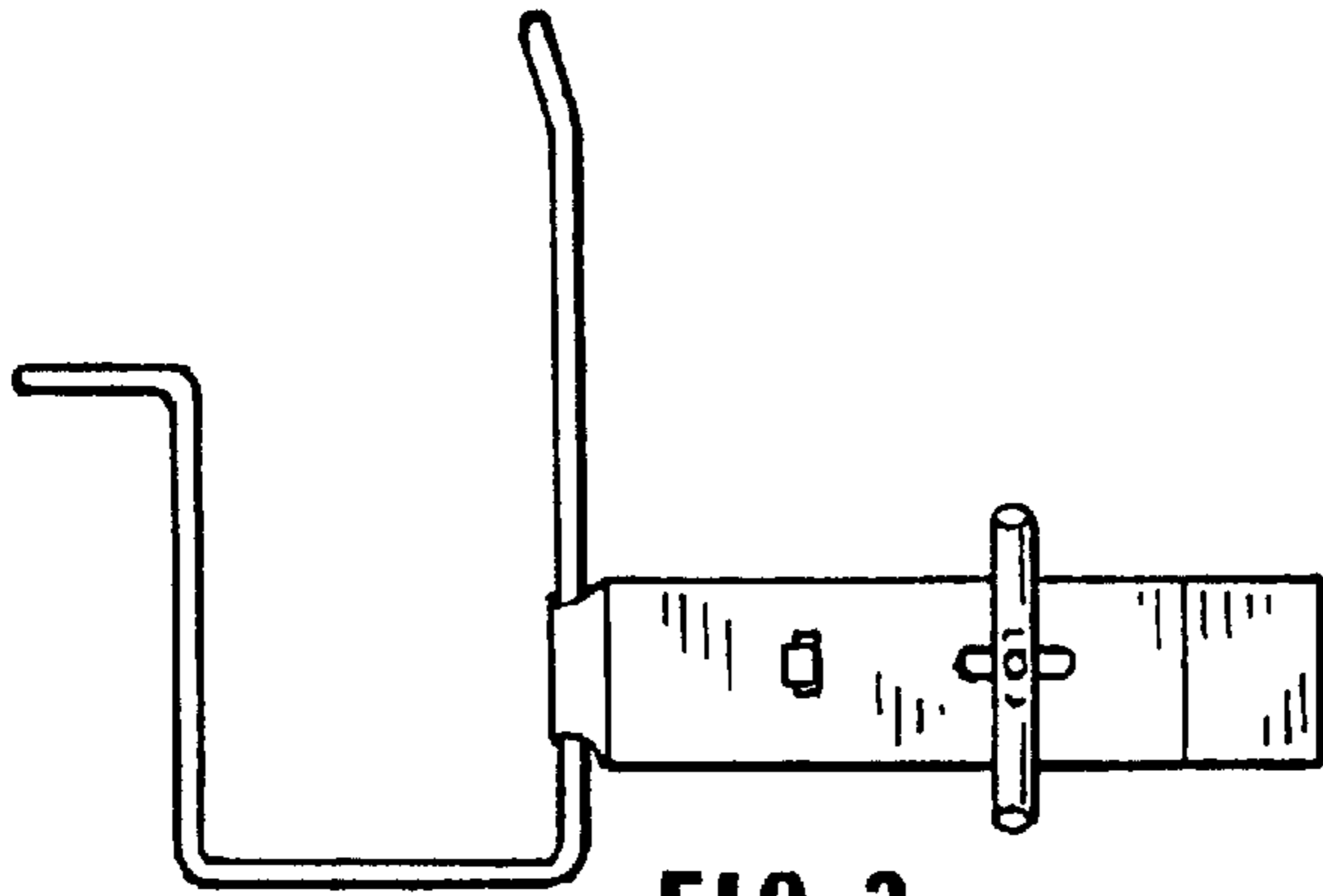


FIG. 3

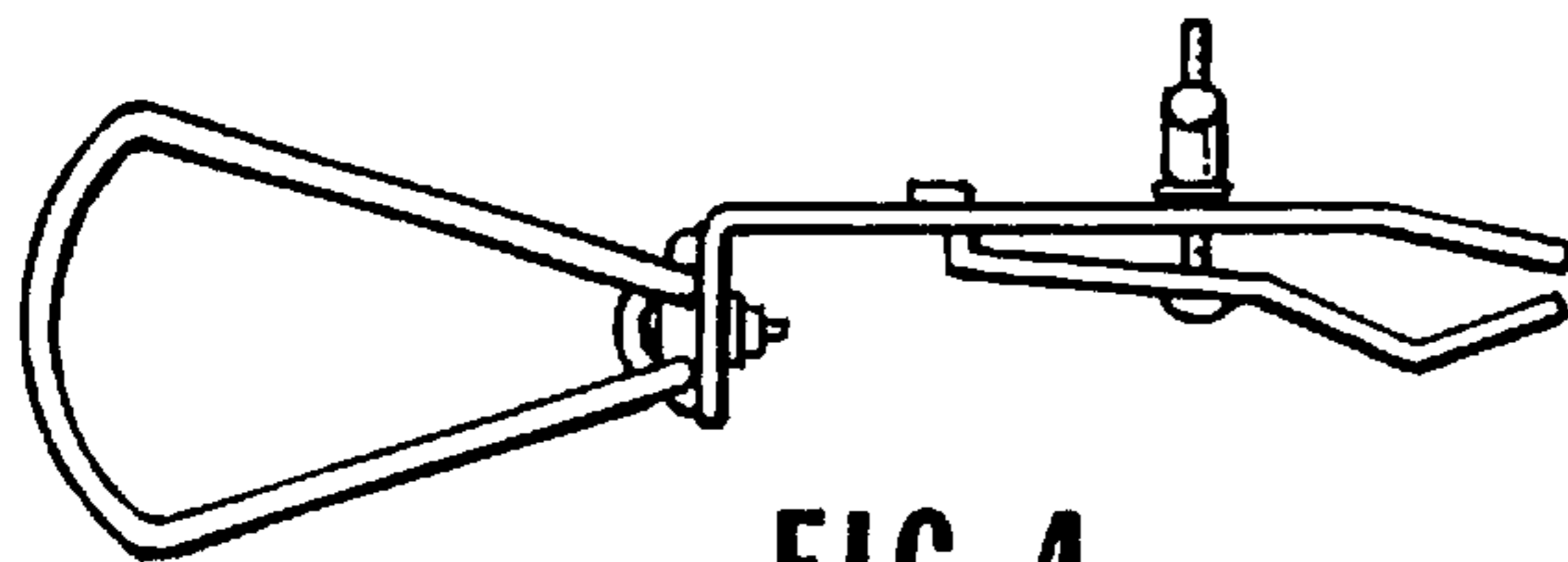


FIG. 4

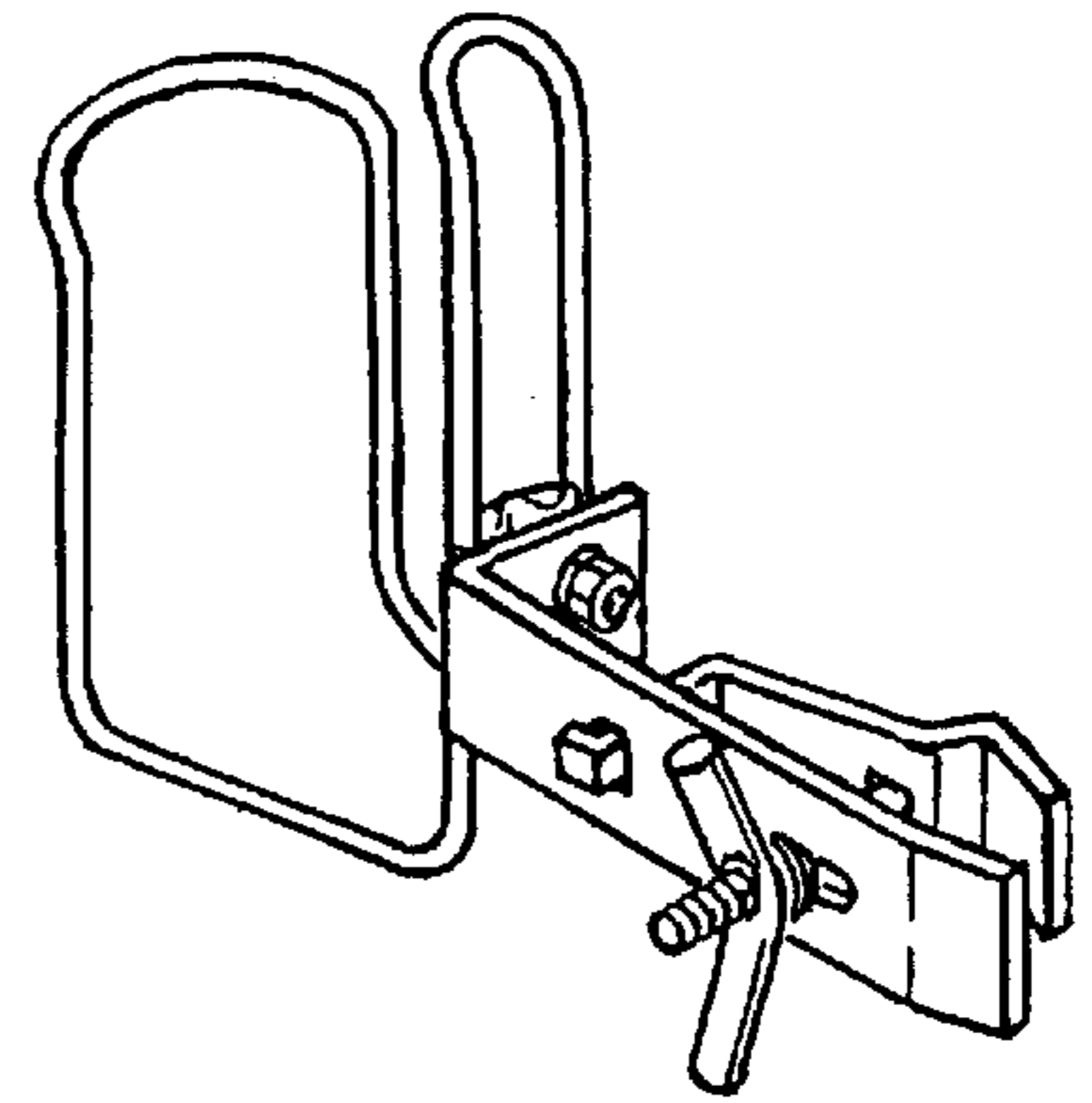


FIG. 1

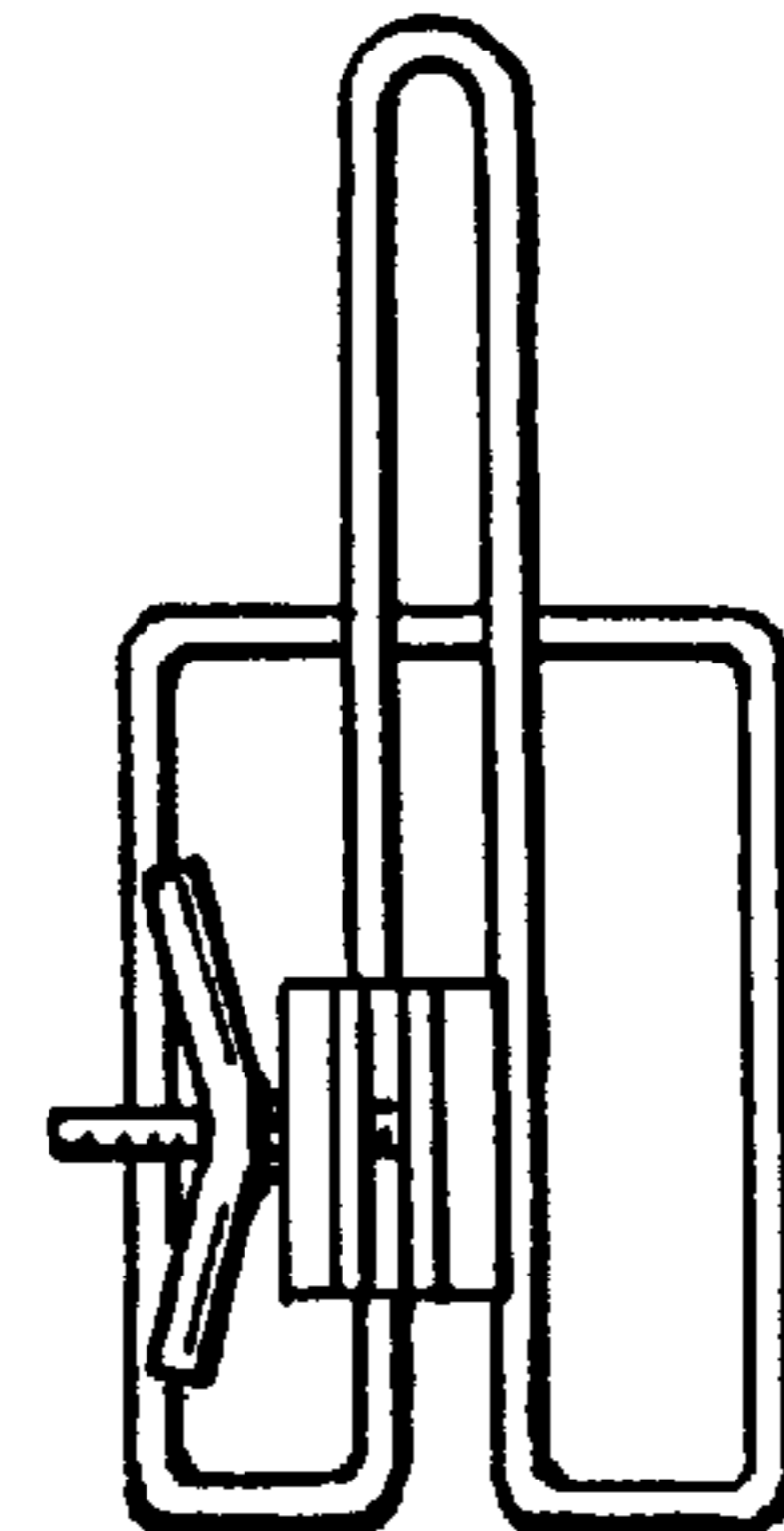


FIG. 5

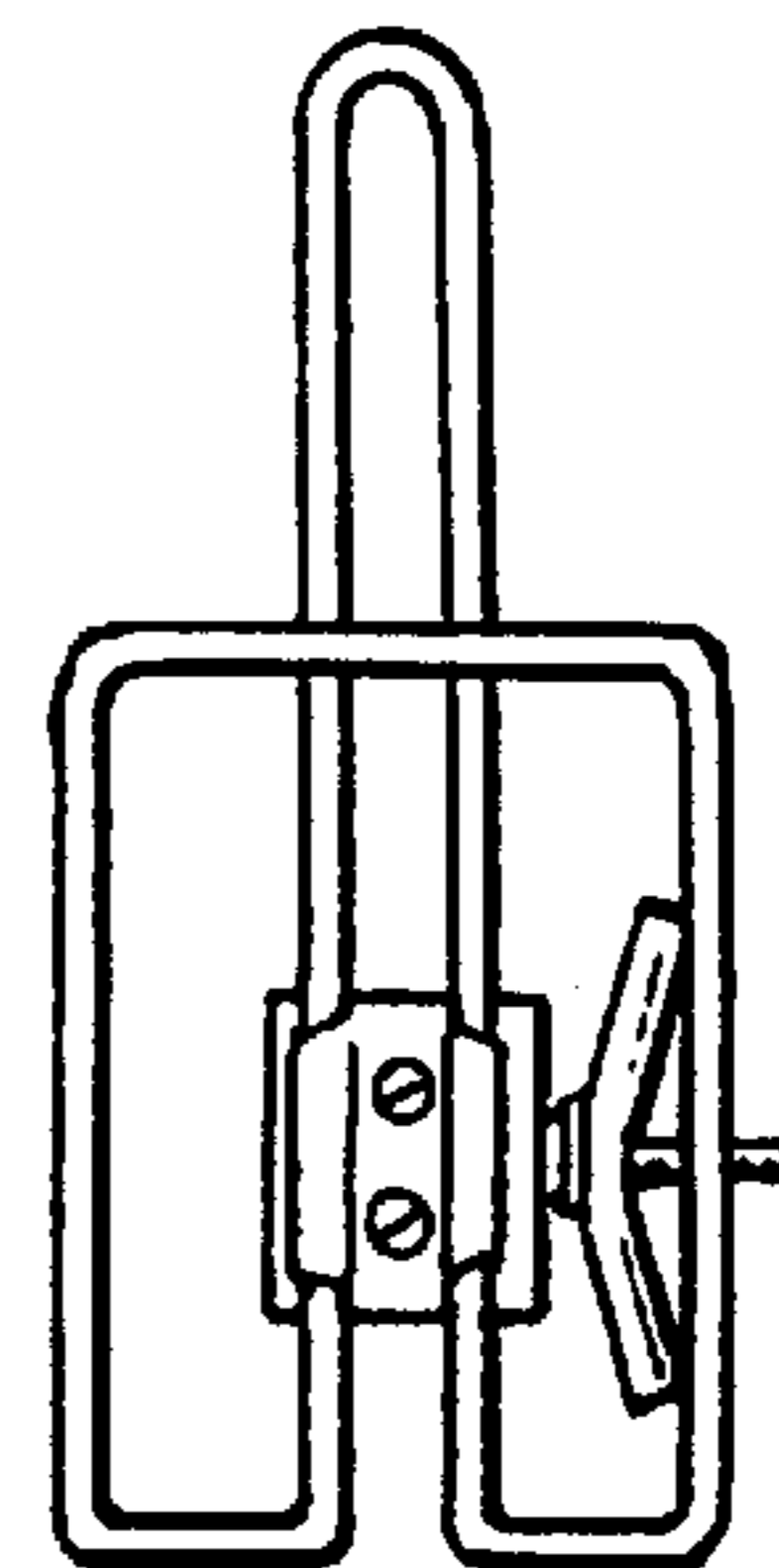


FIG. 6