



US00D470723S

(12) **United States Design Patent**  
**Carels**

(10) **Patent No.:** **US D470,723 S**

(45) **Date of Patent:** **\*\* Feb. 25, 2003**

(54) **BOWL**

(75) **Inventor:** **Nikolai Carels, Haarlem (NL)**

(73) **Assignee:** **Unilever Bestfoods, North American,**  
**Englewood Cliffs, NJ (US)**

(\*\*) **Term:** **14 Years**

(21) **Appl. No.:** **29/156,074**

(22) **Filed:** **Feb. 22, 2002**

(30) **Foreign Application Priority Data**

Aug. 24, 2001 (GB) ..... 2104339

(51) **LOC (7) Cl.** ..... **07-01**

(52) **U.S. Cl.** ..... **D7/587**

(58) **Field of Search** ..... D11/152, 153,  
D11/143; D7/584-587, 550.1, 555-559,  
566-570, 544, 548, 543, 545; 220/574,  
575

(56) **References Cited**

**U.S. PATENT DOCUMENTS**

1,507,968 A \* 9/1924 Johnson ..... D7/584

4,419,103 A \* 12/1983 Balkan ..... D7/584  
D286,249 S \* 10/1986 Carlson ..... D7/587  
5,172,826 A \* 12/1992 Celaya ..... 220/574  
D344,211 S \* 2/1994 Froger ..... D7/565  
D364,998 S \* 12/1995 Held ..... D7/545

\* cited by examiner

*Primary Examiner*—James Gandy

(57) **CLAIM**

The ornamental design for a bowl, as shown and described.

**DESCRIPTION**

FIG. 1 is a perspective view of a bowl showing my new design;

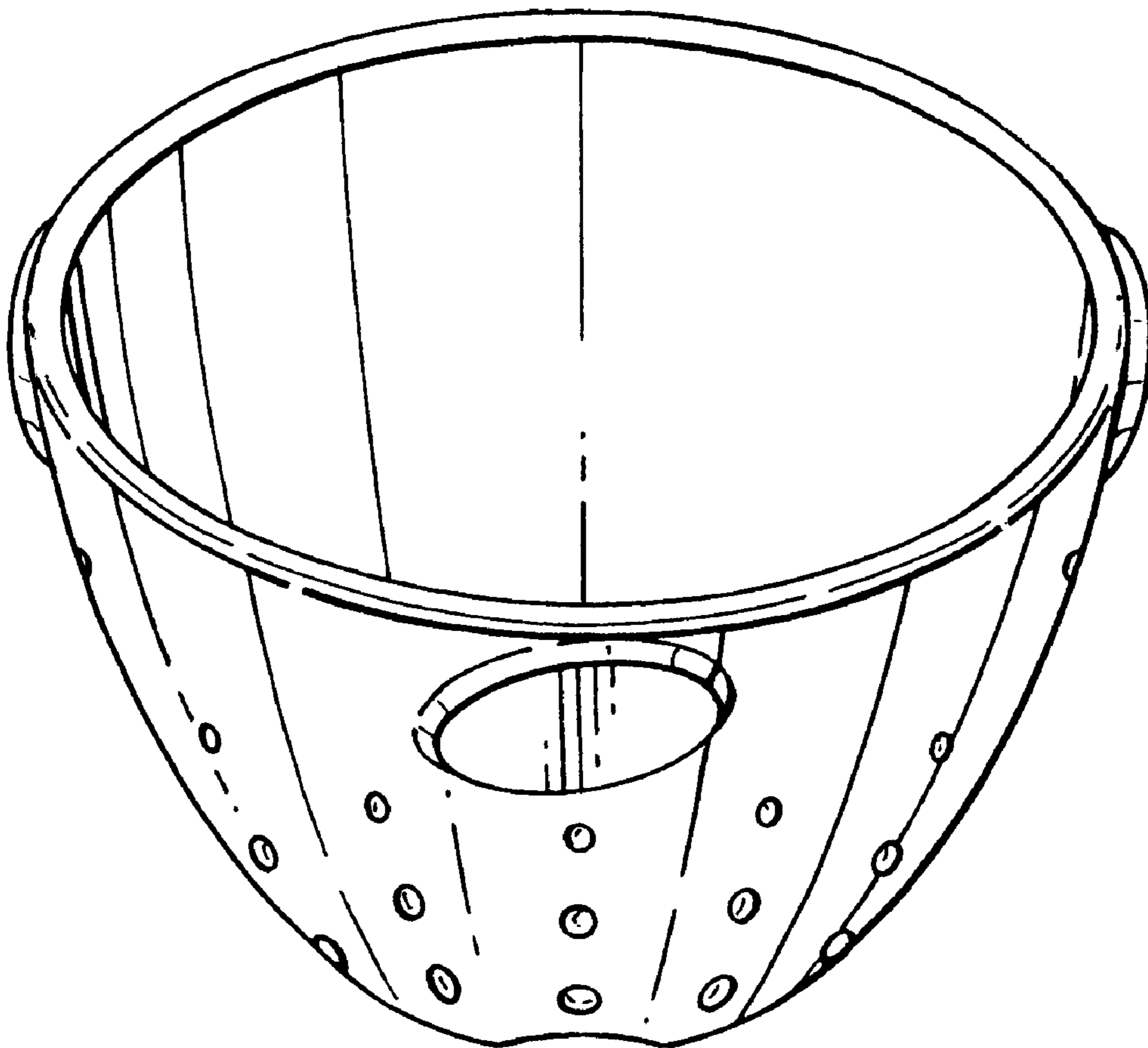
FIG. 2 is a side elevation view thereof as seen from the direction of arrow II in FIG. 3;

FIG. 3 is a top plan view thereof;

FIG. 4 is a bottom plan view thereof; and,

FIG. 5 is a cross-sectional view thereof taken along line V—V in FIG. 3.

**1 Claim, 3 Drawing Sheets**



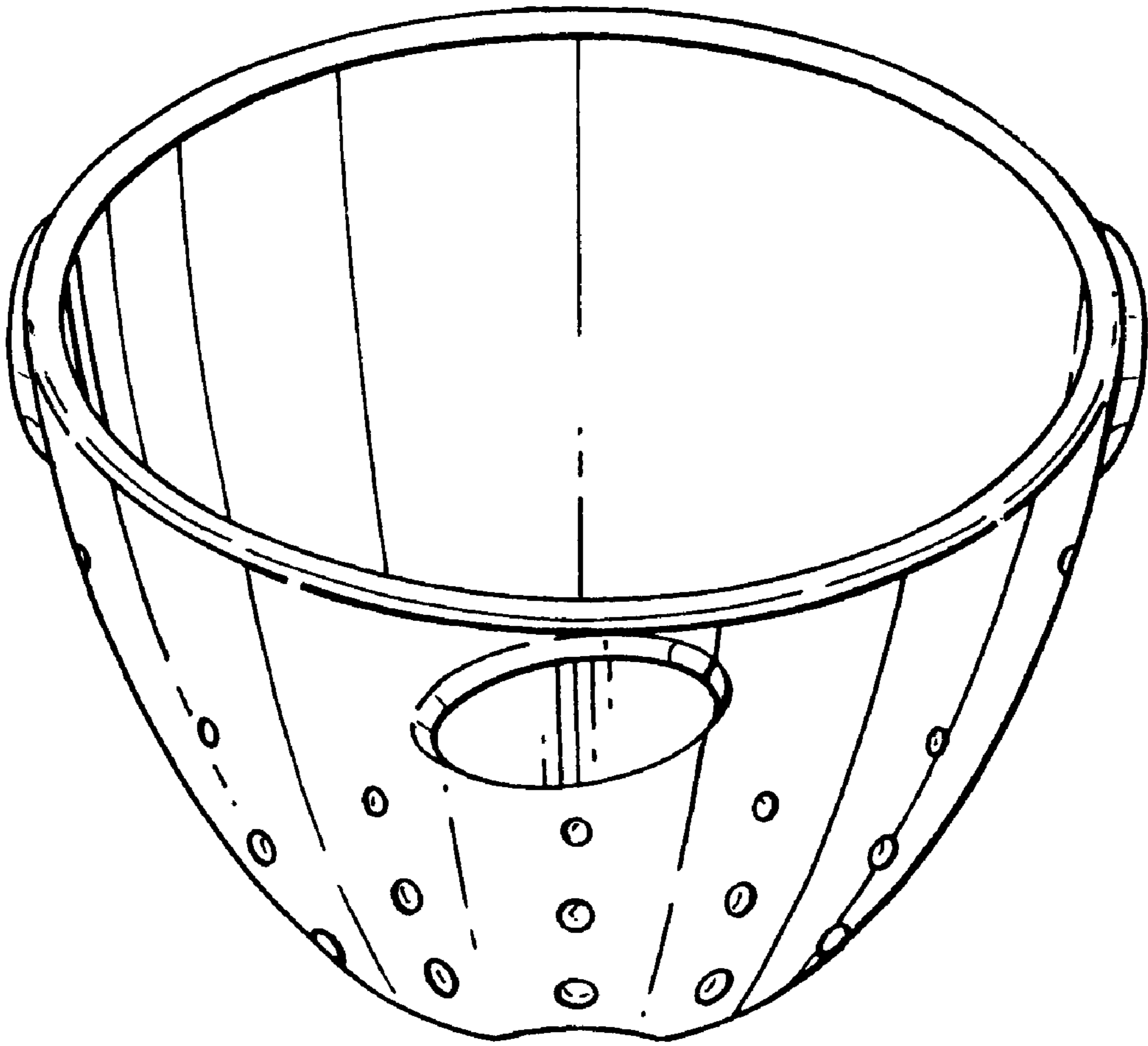


Fig. 1.

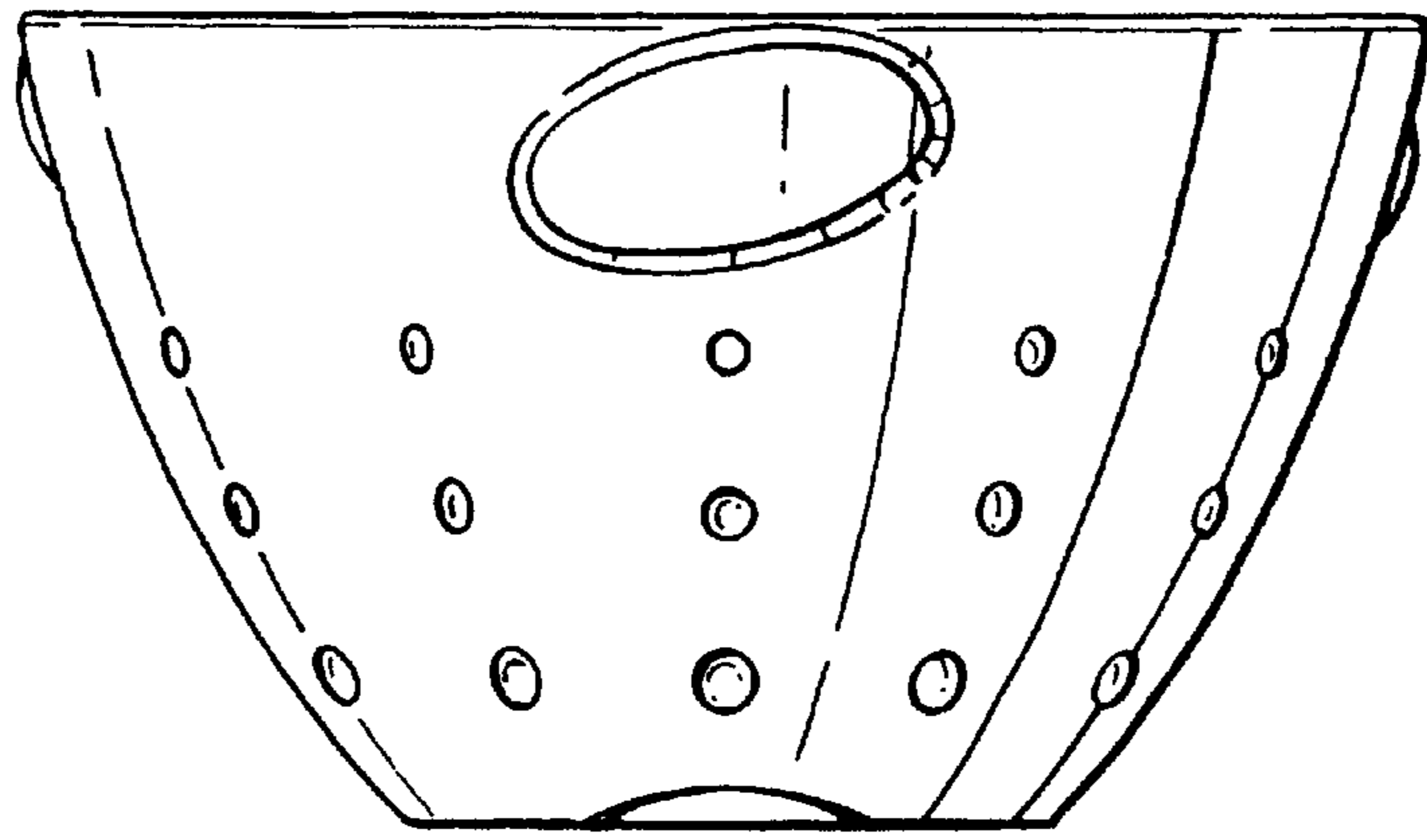


Fig.2.

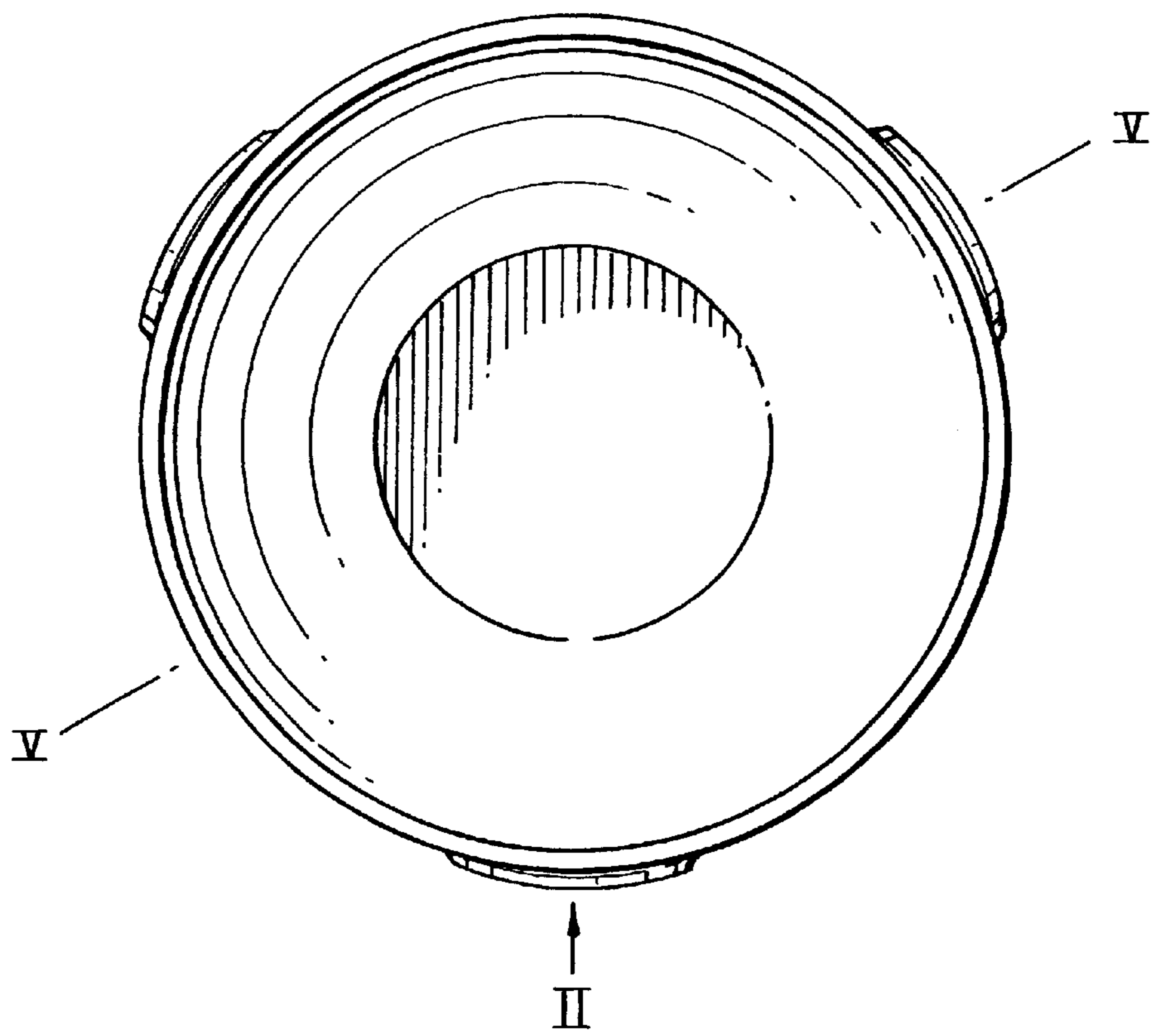


Fig.3.

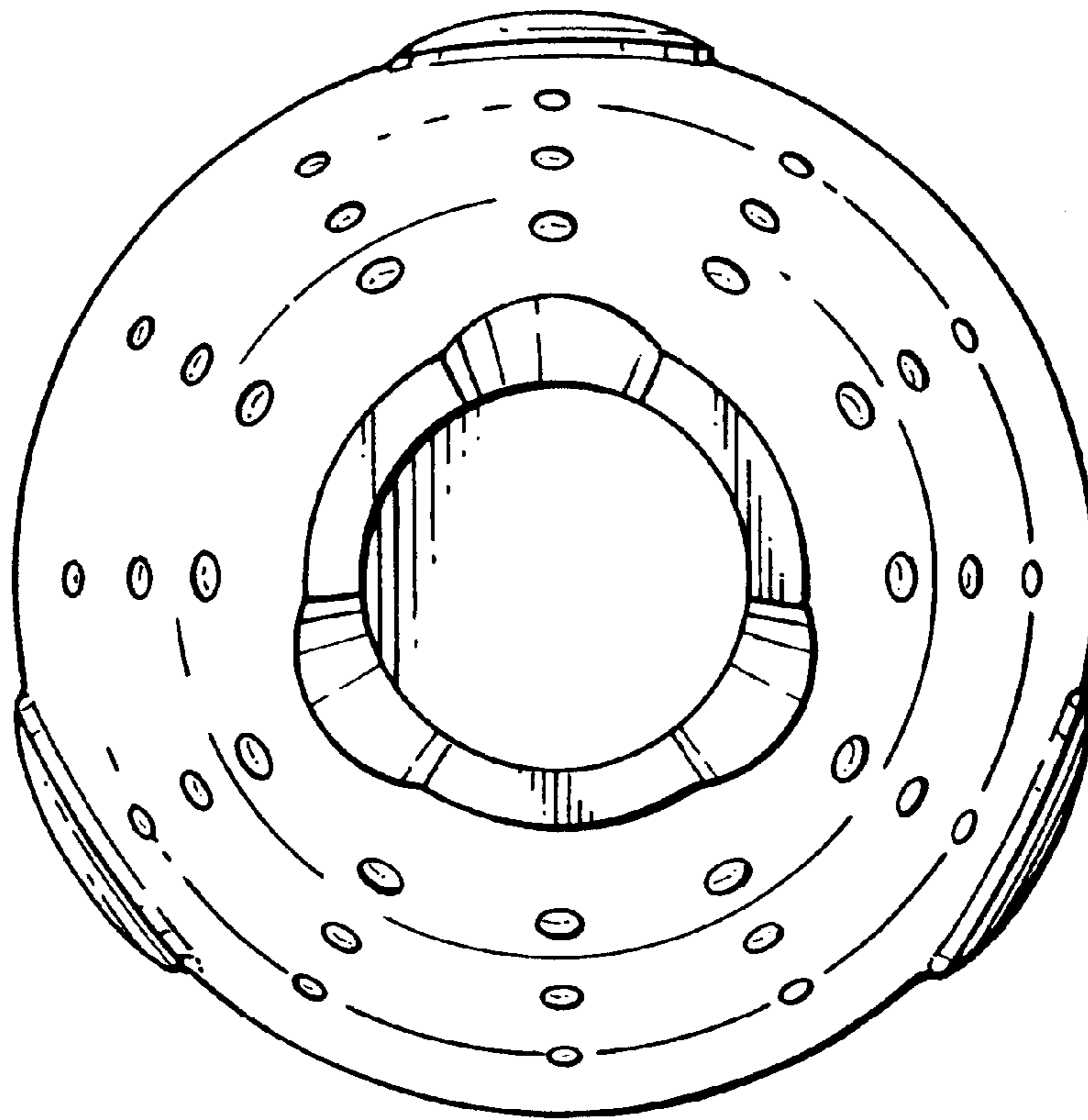


Fig.4.

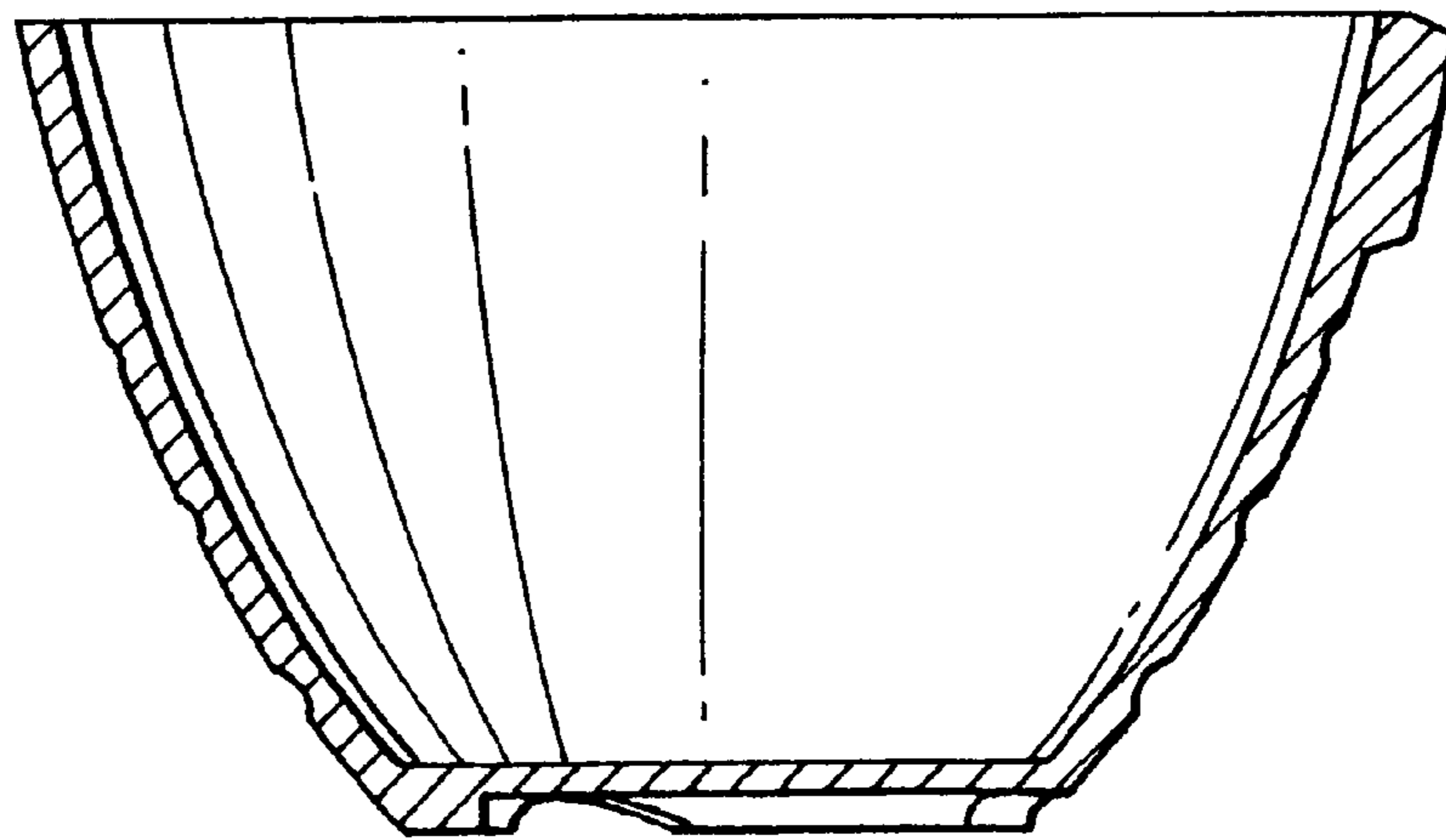


Fig.5.