



US00D470718S

(12) **United States Design Patent**  
**Johnson**

(10) **Patent No.:** **US D470,718 S**

(45) **Date of Patent:** **\*\* Feb. 25, 2003**

(54) **MOUNTING TRIM FOR A BARBECUE GRILL**

(75) **Inventor:** **Mark Johnson, Wilmette, IL (US)**

(73) **Assignee:** **Weber-Stephen Products Co., Palatine, IL (US)**

(\*\*) **Term:** **14 Years**

(21) **Appl. No.:** **29/146,541**

(22) **Filed:** **Aug. 10, 2001**

(51) **LOC (7) Cl.** ..... **07-02**

(52) **U.S. Cl.** ..... **D7/402**

(58) **Field of Search** ..... D7/332-337, 402-405, D7/350.1, 350.3, 350.4; 126/25 R, 25 A, 25 AA, 29-30, 33, 38, 41 R, 339; 99/421 H, 419, 427, 449, 339; D10/123, 102, 125, 109, 49, 50; D13/177; D8/353

(56) **References Cited**

**U.S. PATENT DOCUMENTS**

D99,306 S	*	4/1936	Pierce	.....	D10/102
D100,425 S	*	7/1936	Guild	.....	D10/102
D133,201 S	*	7/1942	Thomander et al.	.....	D10/123
D201,100 S	*	5/1965	Little et al.	.....	D10/102
3,586,518 A		6/1971	Folmar	.....	99/259
3,812,840 A	*	5/1974	Whaler	.....	126/275 R
3,859,978 A		1/1975	Smith	.....	126/25 A
D274,505 S	*	7/1984	Westberg	.....	D10/102
4,495,860 A	*	1/1985	Hitch et al.	.....	99/340
4,677,964 A		7/1987	Lohmeyer et al.	.....	126/41 R
D293,067 S		12/1987	Stephen et al.	.....	D7/334
4,886,045 A		12/1989	Ducate, Jr. et al.	.....	126/41 R
4,895,068 A		1/1990	Hanagan et al.	.....	99/357
4,924,846 A		5/1990	Peacock et al.	.....	126/41 R
4,955,358 A		9/1990	Harris et al.	.....	126/25 R

4,962,697 A	*	10/1990	Farrar	.....	99/340
D316,355 S		4/1991	Stephen et al.	.....	D7/339
5,033,449 A		7/1991	Hanagan	.....	126/39 BA
5,076,256 A		12/1991	Raymer et al.	.....	126/41 R
5,076,257 A		12/1991	Raymer et al.	.....	126/41 R
5,088,470 A		2/1992	James, Jr. et al.	.....	126/41 R
5,163,358 A		11/1992	Hanagan et al.	.....	99/339
5,483,947 A		1/1996	Giebel et al.	.....	126/41 R
5,579,755 A		12/1996	Johnston	.....	126/41 R
D381,551 S	*	7/1997	Sternberg	.....	D7/332
5,765,469 A		6/1998	Schlosser et al.	.....	99/337
5,943,183 A		8/1999	Schlosser et al.	.....	99/385
D416,164 S	*	11/1999	Wagner et al.	.....	D7/334
D433,279 S	*	11/2000	Schlosser et al.	.....	D7/402
D438,061 S	*	2/2001	Lewis et al.	.....	D7/407
D446,422 S	*	8/2001	Summer et al.	.....	D7/402
D462,234 S	*	9/2002	Alden et al.	.....	D7/402

\* cited by examiner

*Primary Examiner*—Ruth McInroy

(74) *Attorney, Agent, or Firm*—Wallenstein & Wagner, Ltd.

(57) **CLAIM**

I claim the ornamental design for a mounting trim for a barbecue grill, as shown and described.

**DESCRIPTION**

FIG. 1 is a perspective view of the mounting trim for a barbecue grill shown with the environment in broken lines. FIG. 2 is a perspective view of the mounting trim for a barbecue grill.

FIG. 3 is atop plan view of the mounting trim for a barbecue grill.

FIG. 4 is a side view of the mounting trim for a barbecue grill, the opposite side being identical, and

FIG. 5 is an end elevational view of the mounting trim for a barbecue grill the opposite side and being identical.

**1 Claim, 2 Drawing Sheets**

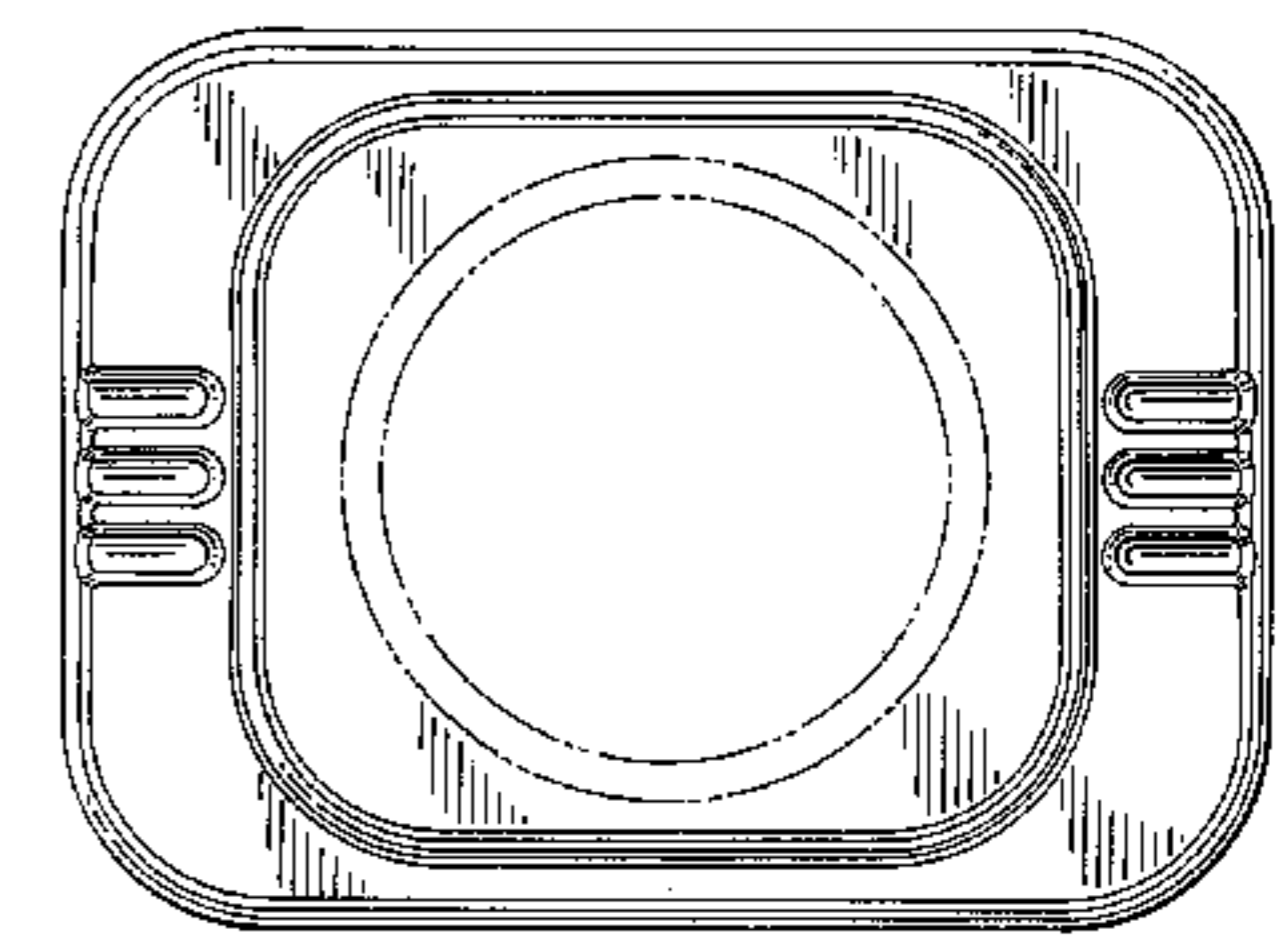
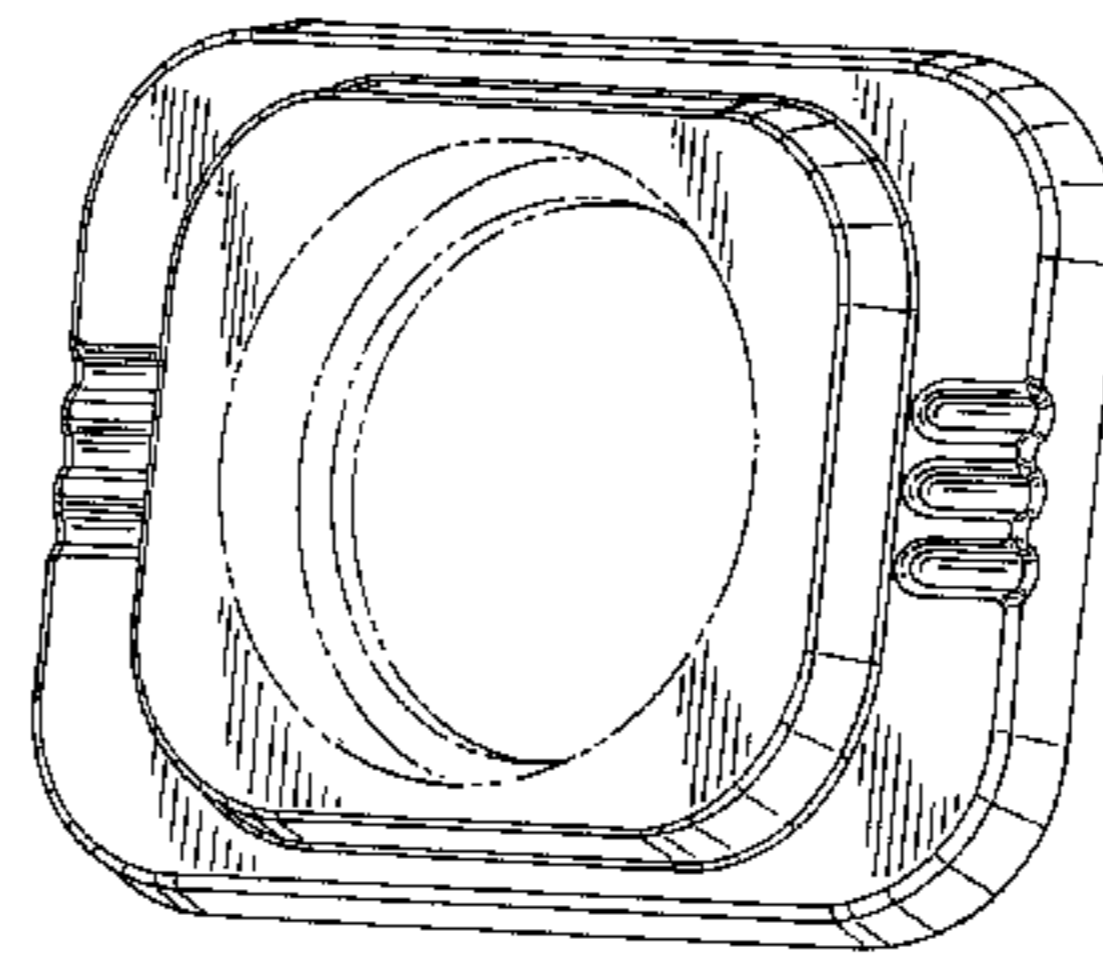
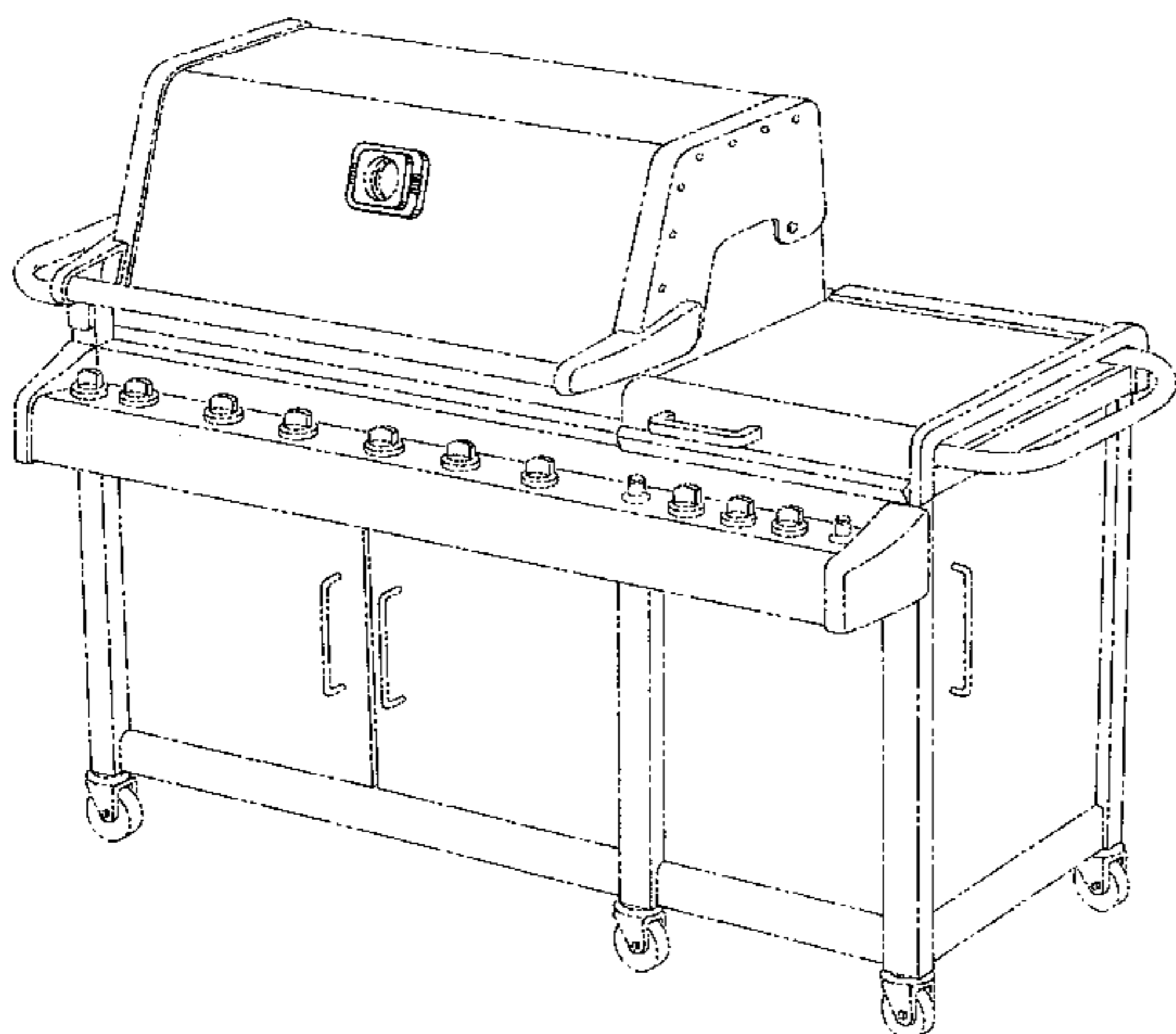


FIG. 1

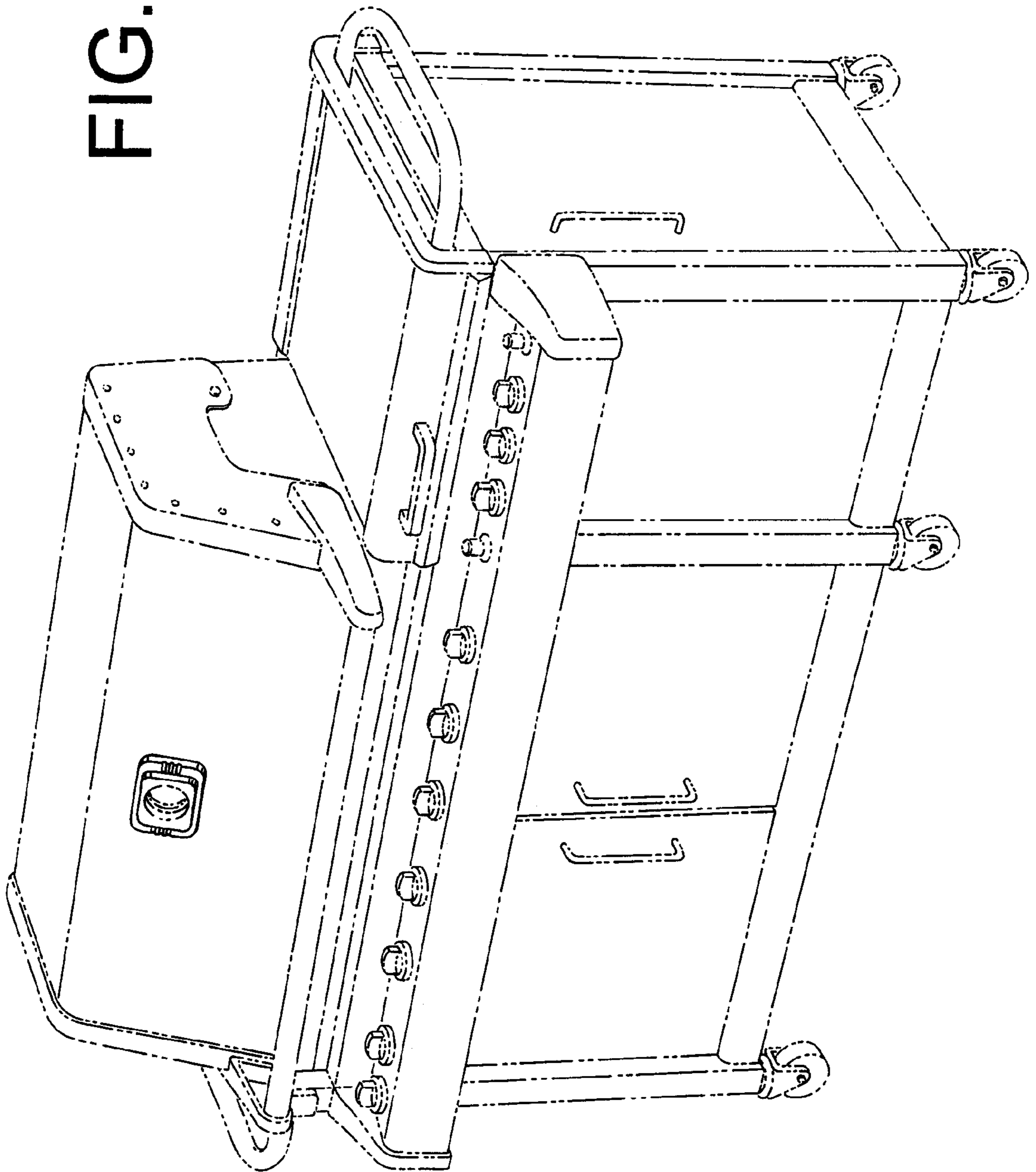


FIG. 2

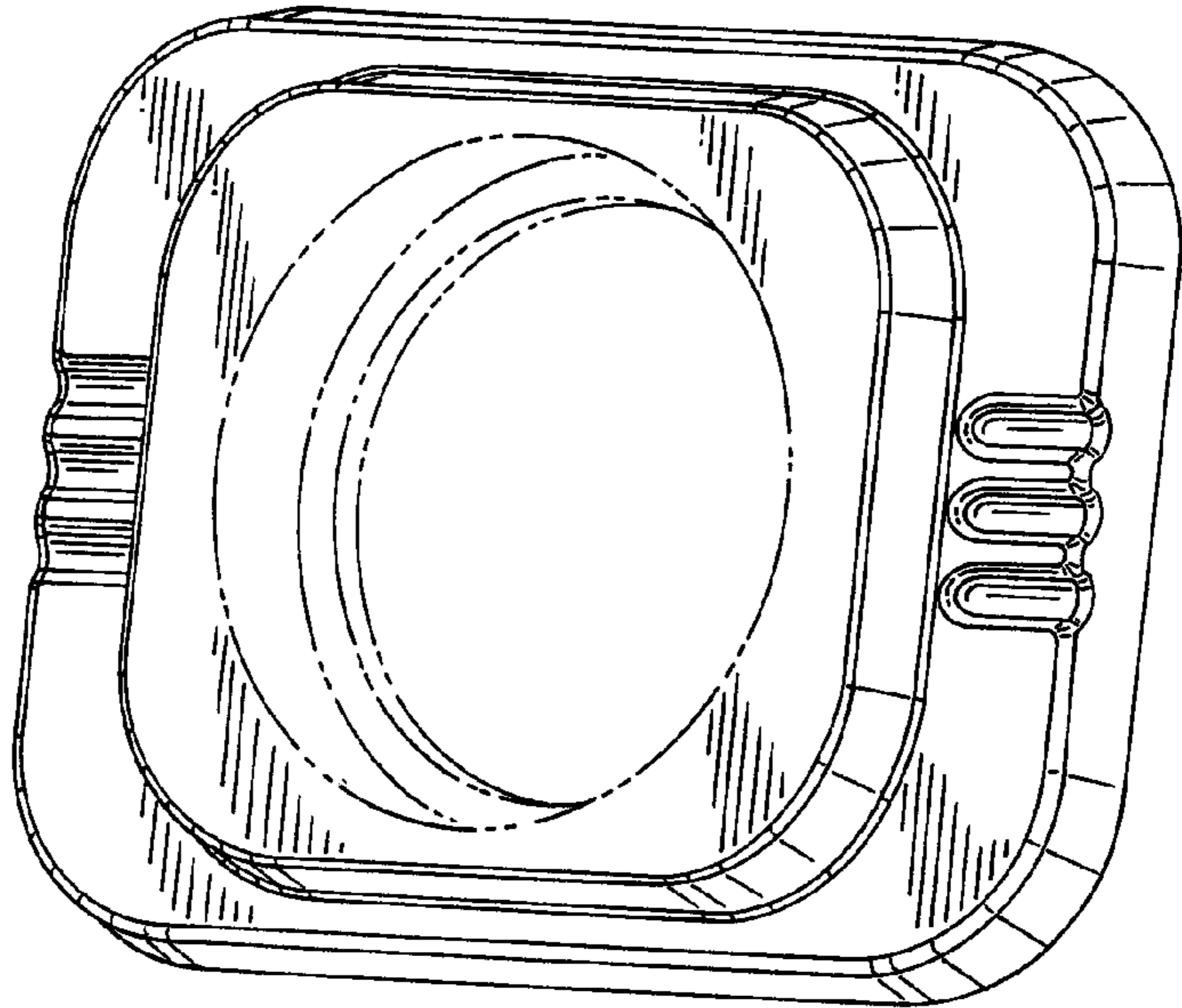


FIG. 3

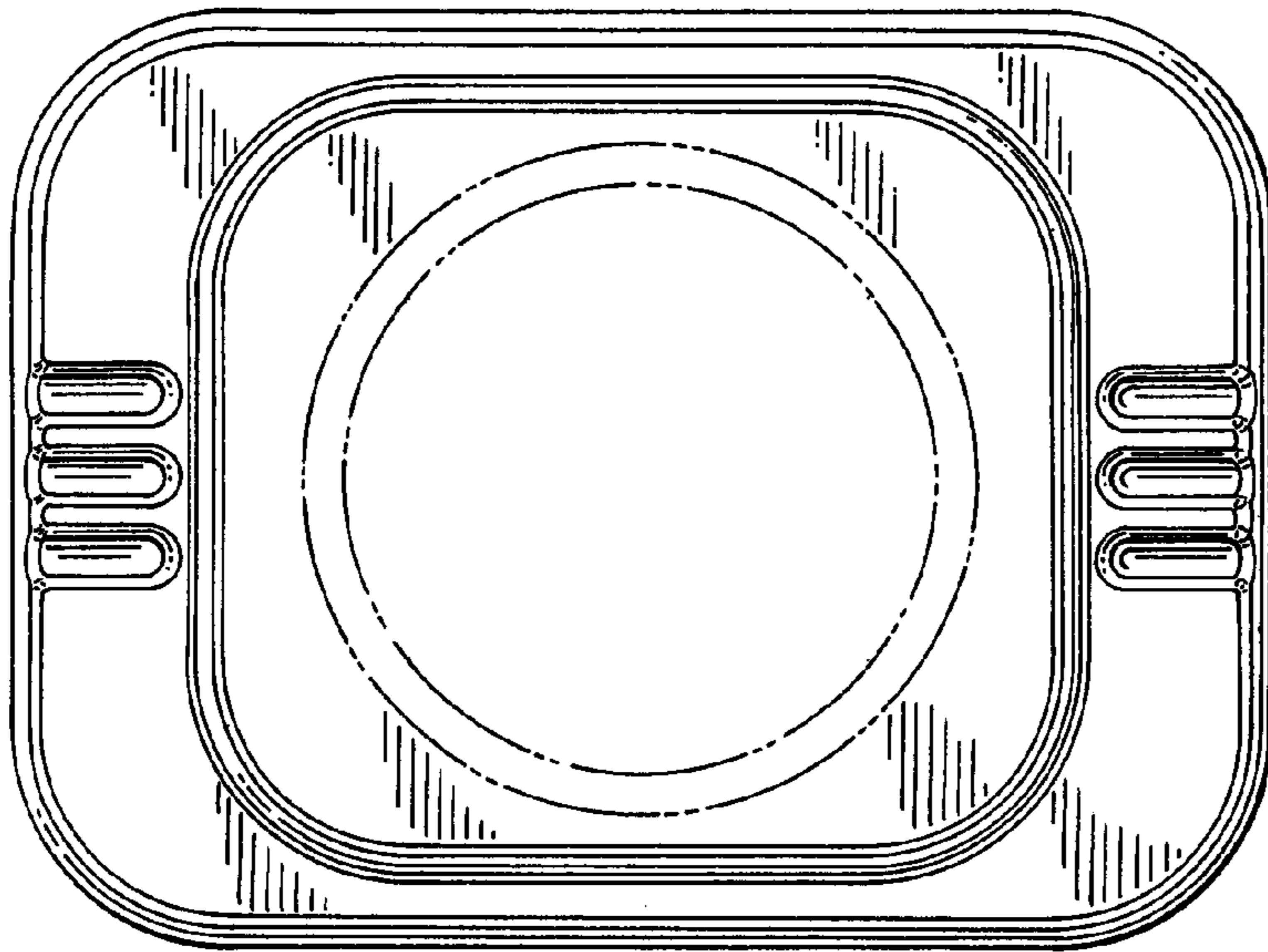


FIG. 4

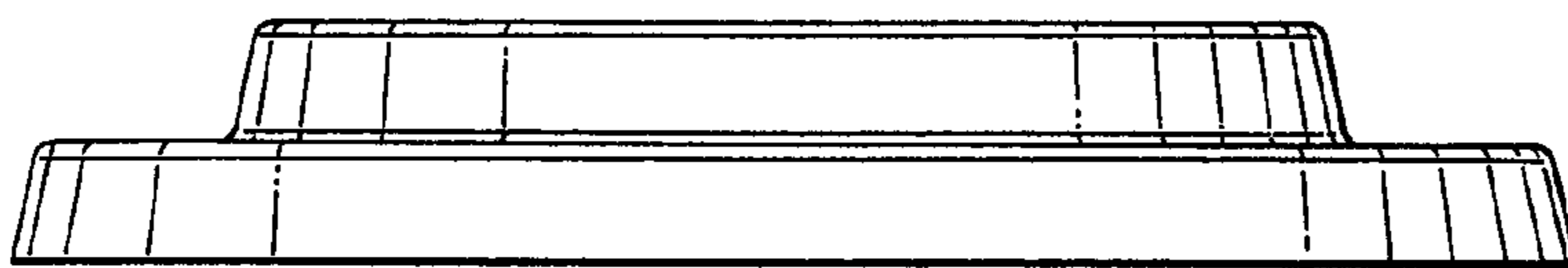


FIG. 5

