



US00D470717S

(12) **United States Design Patent**  
**Kaiser**

(10) **Patent No.:** **US D470,717 S**

(45) **Date of Patent:** **\*\* Feb. 25, 2003**

(54) **ELECTRIC MIXER**

D314,883 S \* 2/1991 Naft ..... D7/379

(75) Inventor: **Helmut Kaiser**, Wolfratshausen (DE)

\* cited by examiner

(73) Assignee: **BSH Bosch und Siemens Hausgeraete GmbH**, Munich (DE)

*Primary Examiner*—Caron D. Veynar

(74) *Attorney, Agent, or Firm*—Laurence A. Greenberg; Werner H. Stemer; Ralph E. Locher

(\*\*) Term: **14 Years**

(57) **CLAIM**

(21) Appl. No.: **29/155,836**

The ornamental design for an electric mixer, as shown and described.

(22) Filed: **Feb. 19, 2002**

**DESCRIPTION**

(30) **Foreign Application Priority Data**

Aug. 16, 2001 (DE) ..... 401 07 526

(51) **LOC (7) Cl.** ..... **31-00**

(52) **U.S. Cl.** ..... **D7/379**

(58) **Field of Search** ..... D7/376-386; 366/197, 366/200, 207, 129

FIG. 1 is a top perspective view of the electric mixer;

FIG. 2 is a bottom perspective view thereof;

FIG. 3 is a left side view thereof;

FIG. 4 is a front view thereof;

FIG. 5 is a right side view thereof;

FIG. 6 is a rear elevation view thereof;

FIG. 7 is a top view thereof;

FIG. 8 is a bottom view thereof;

FIG. 9 is a top perspective view with the mixing bowl removed for ease of illustration; and,

FIG. 10 is a top perspective view thereof with the arm retracted.

(56) **References Cited**

**U.S. PATENT DOCUMENTS**

3,224,743 A \* 12/1965 Freedman et al. .... 366/200

D255,757 S \* 7/1980 Feil ..... D7/386

D291,271 S \* 8/1987 Wilson ..... D7/379

**1 Claim, 4 Drawing Sheets**



FIG. 1

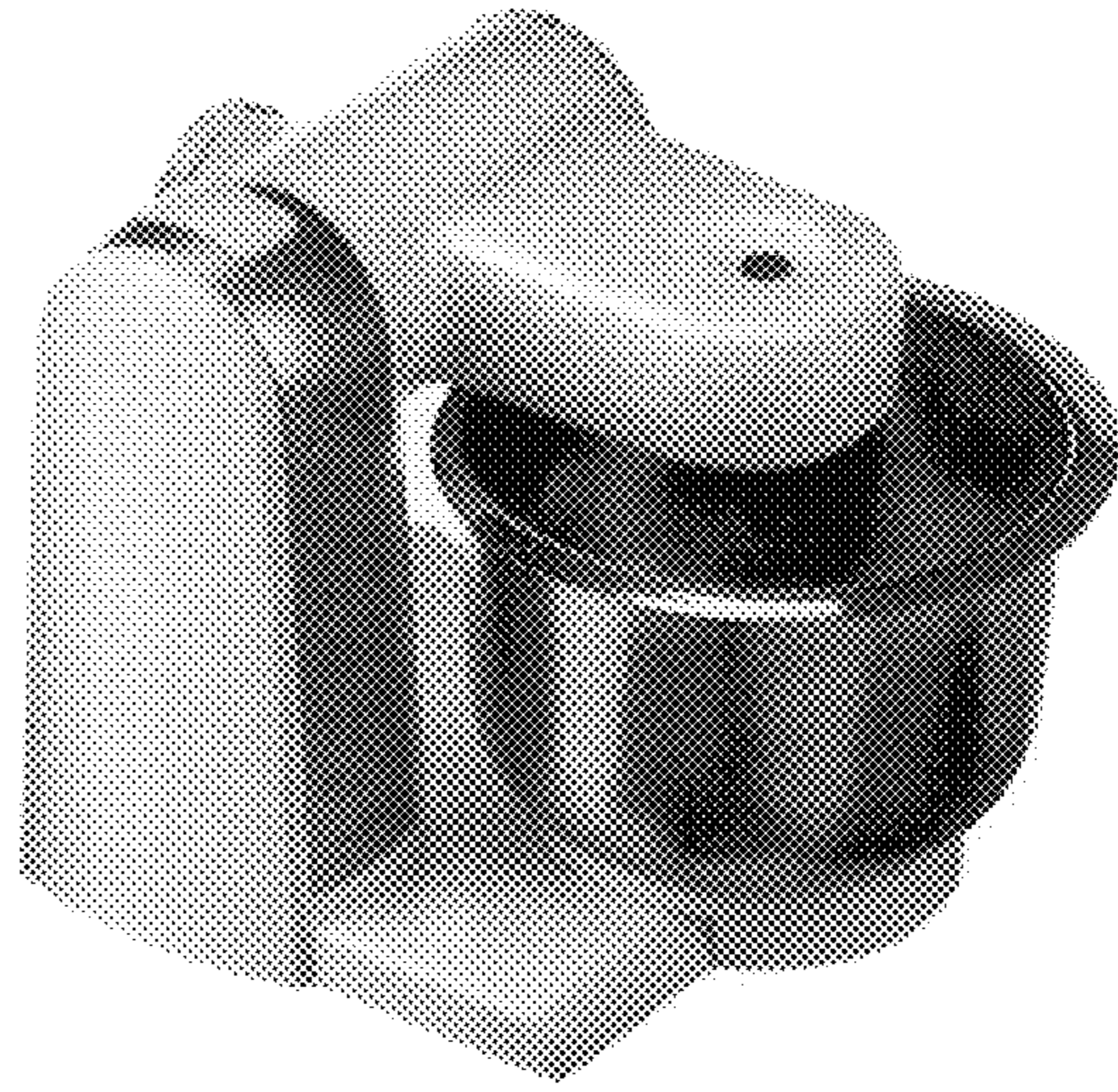


FIG. 2

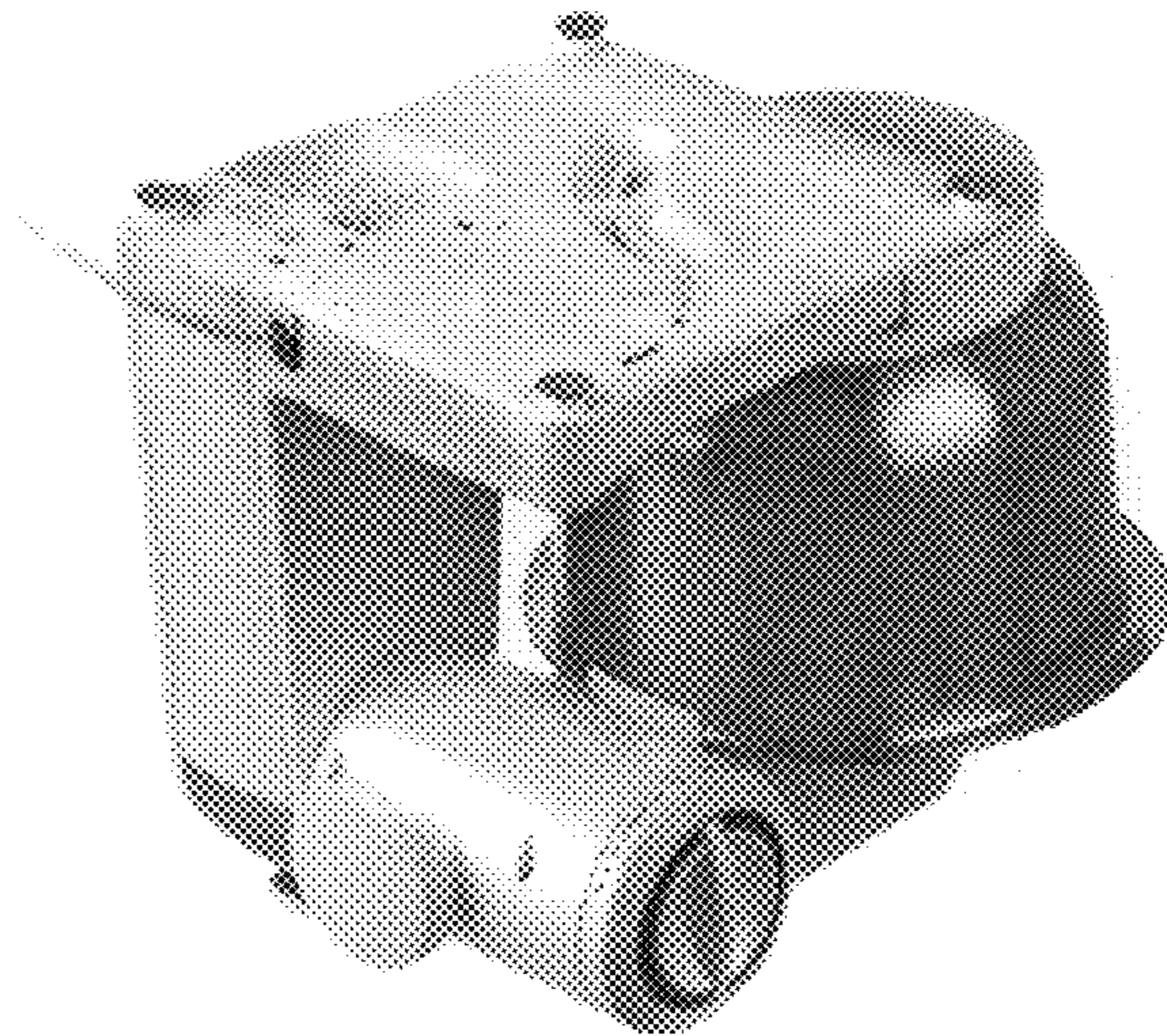


FIG. 3

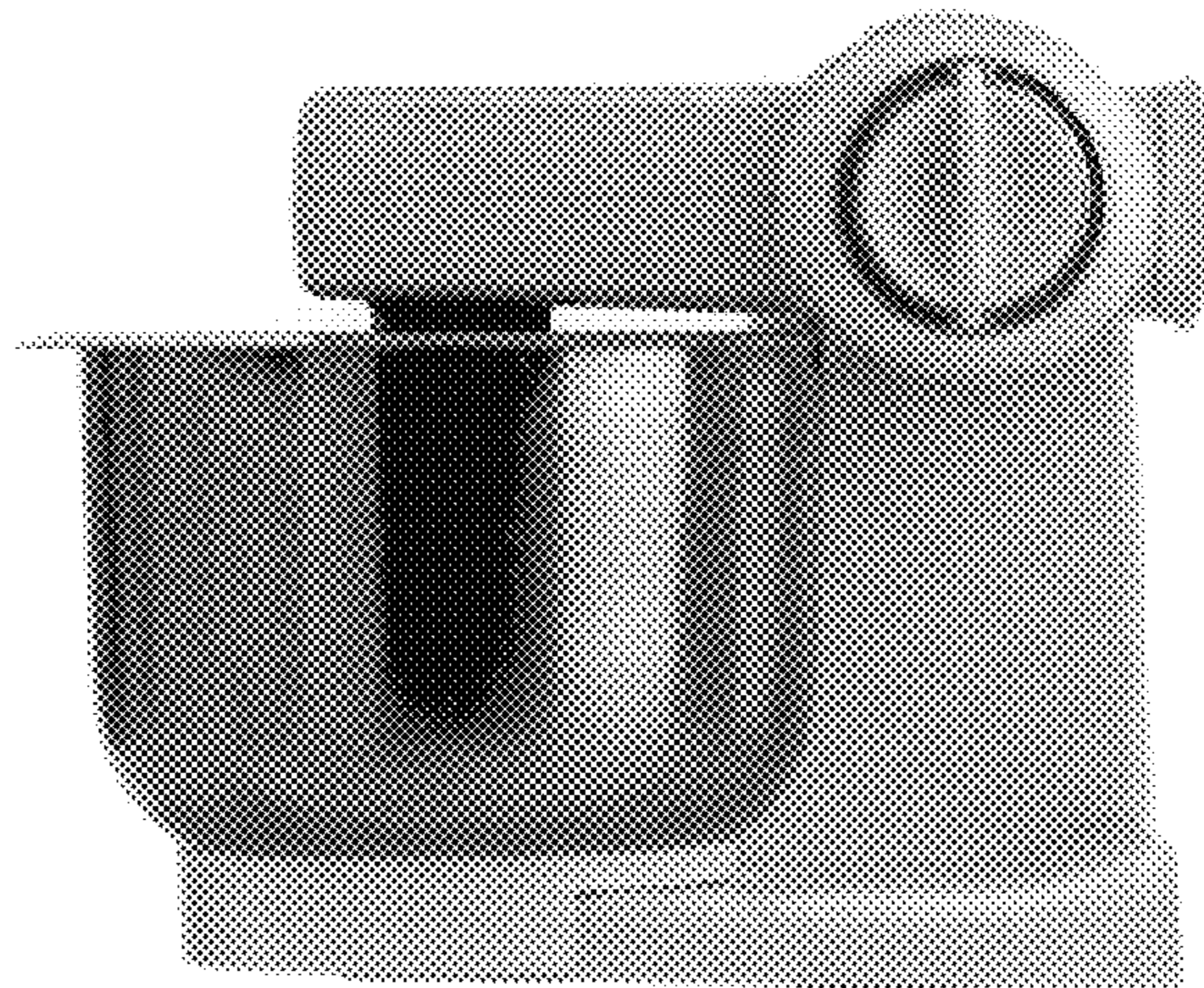


FIG. 4

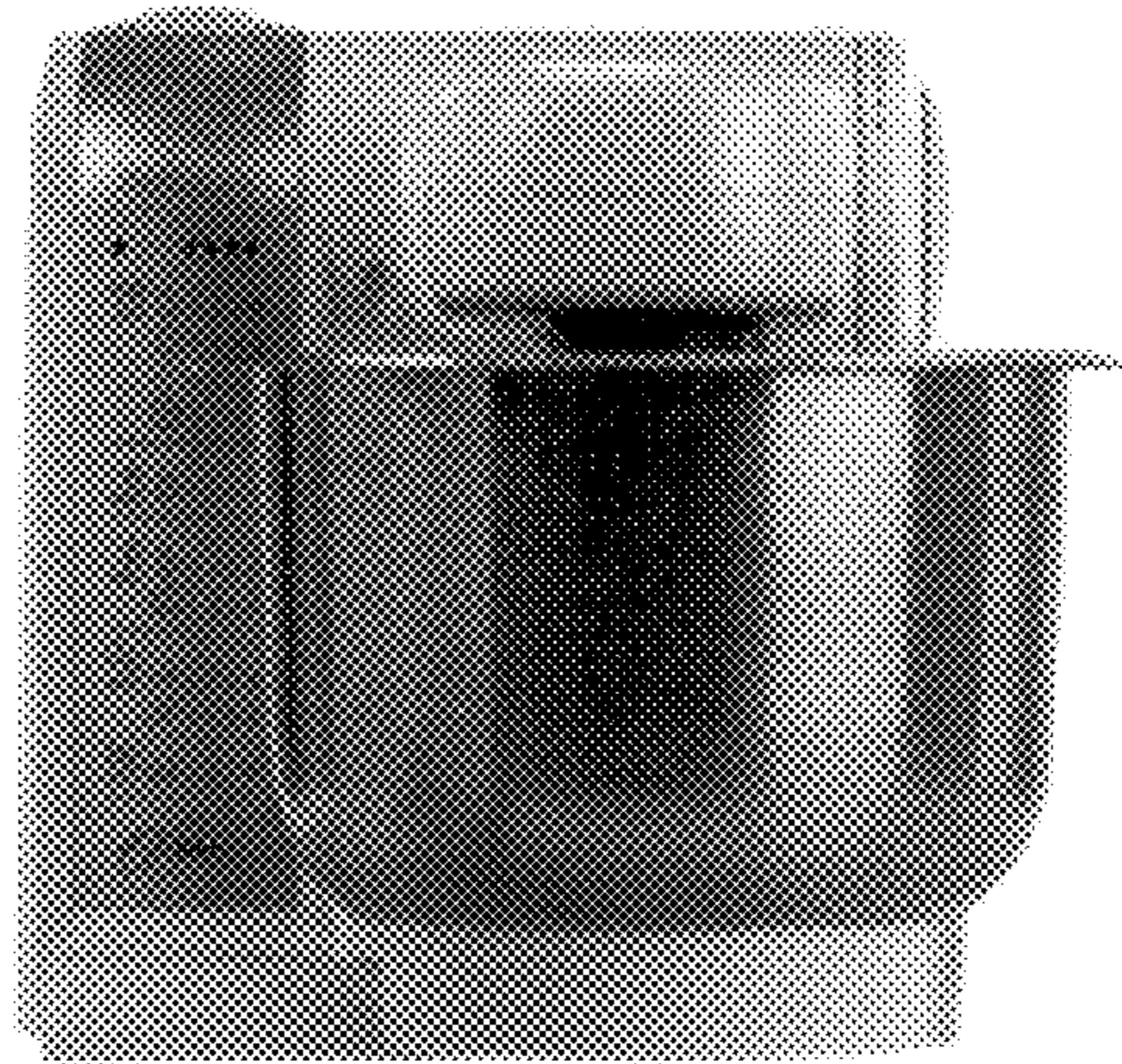


FIG. 5

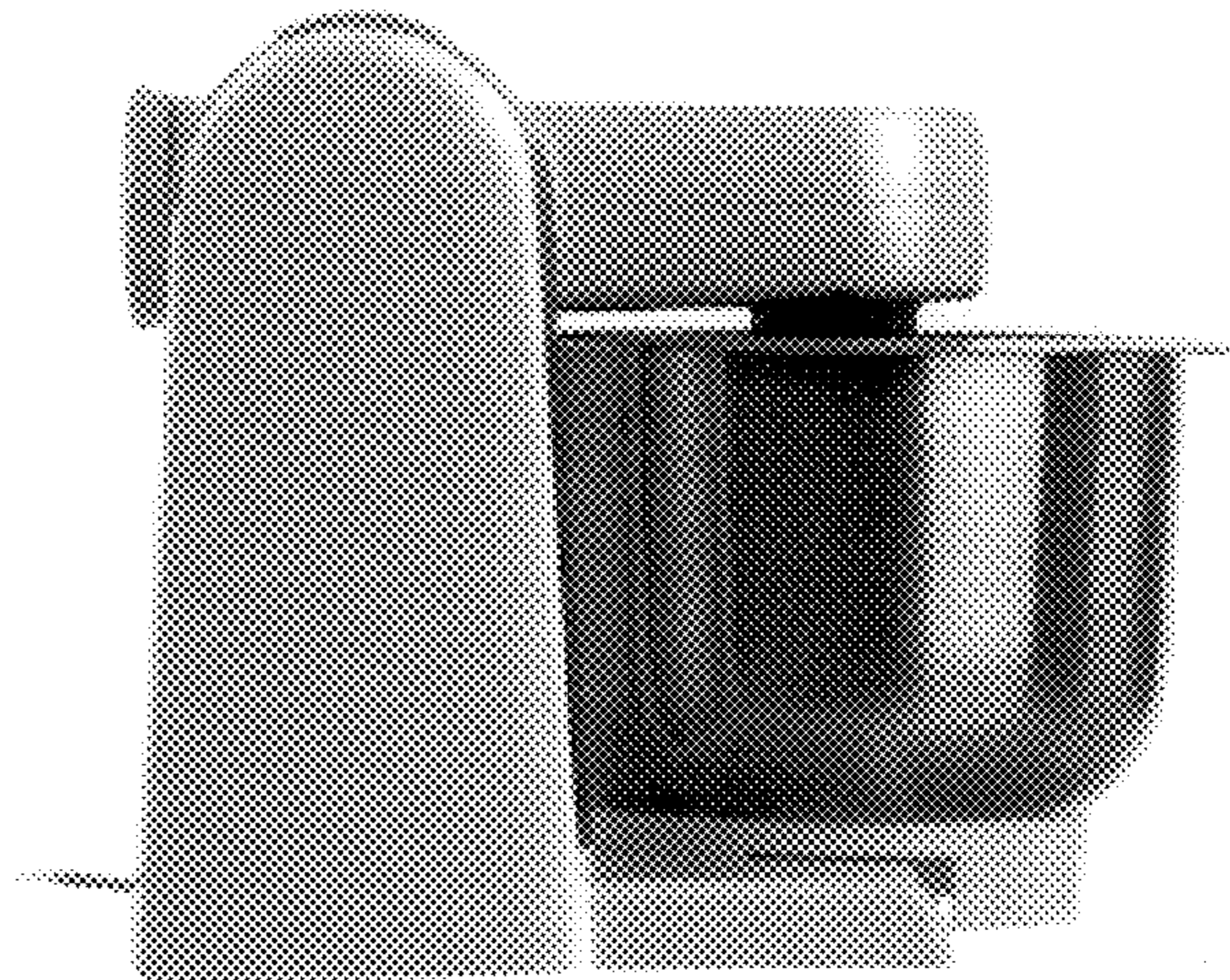


FIG. 6

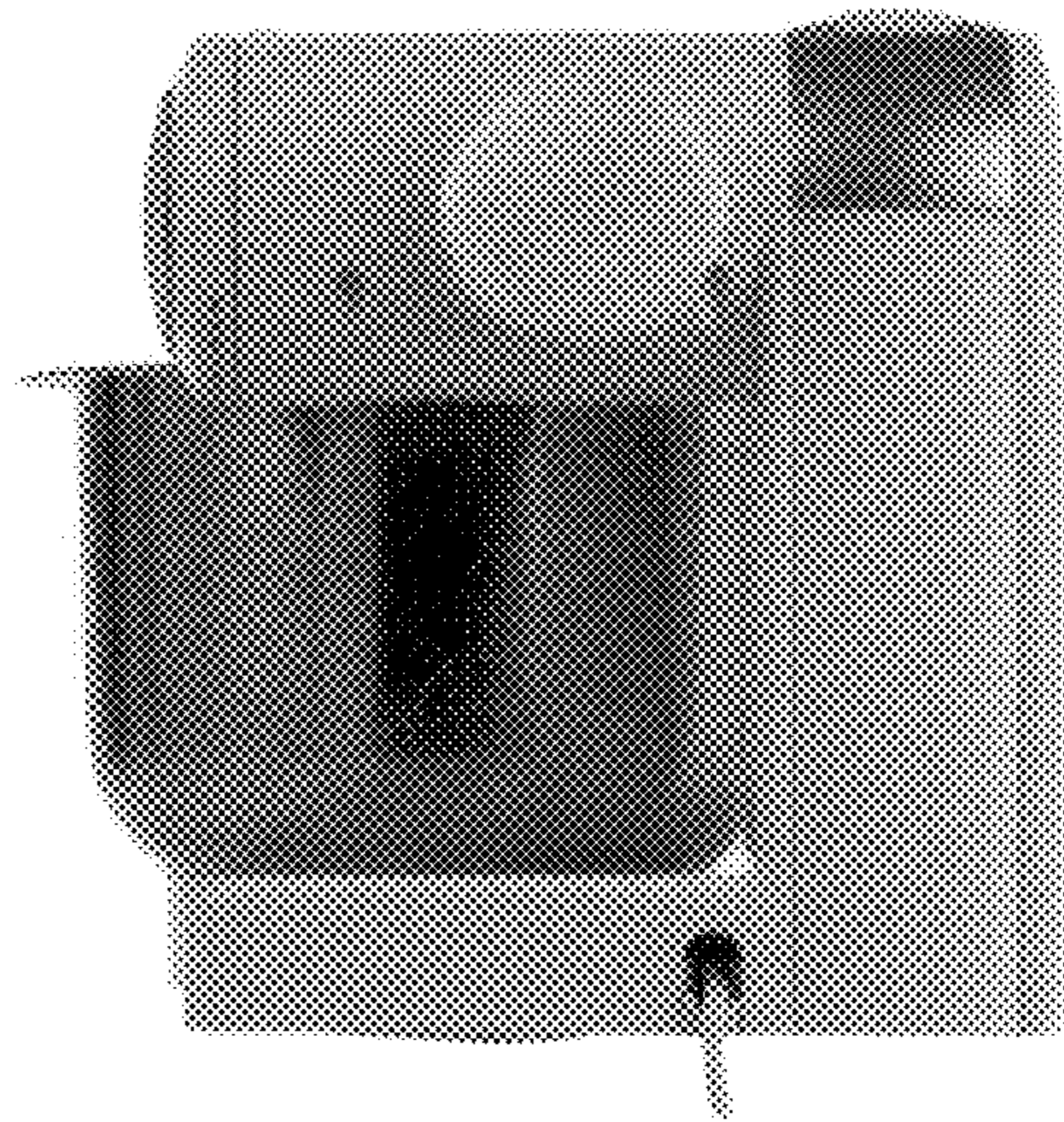


FIG. 7

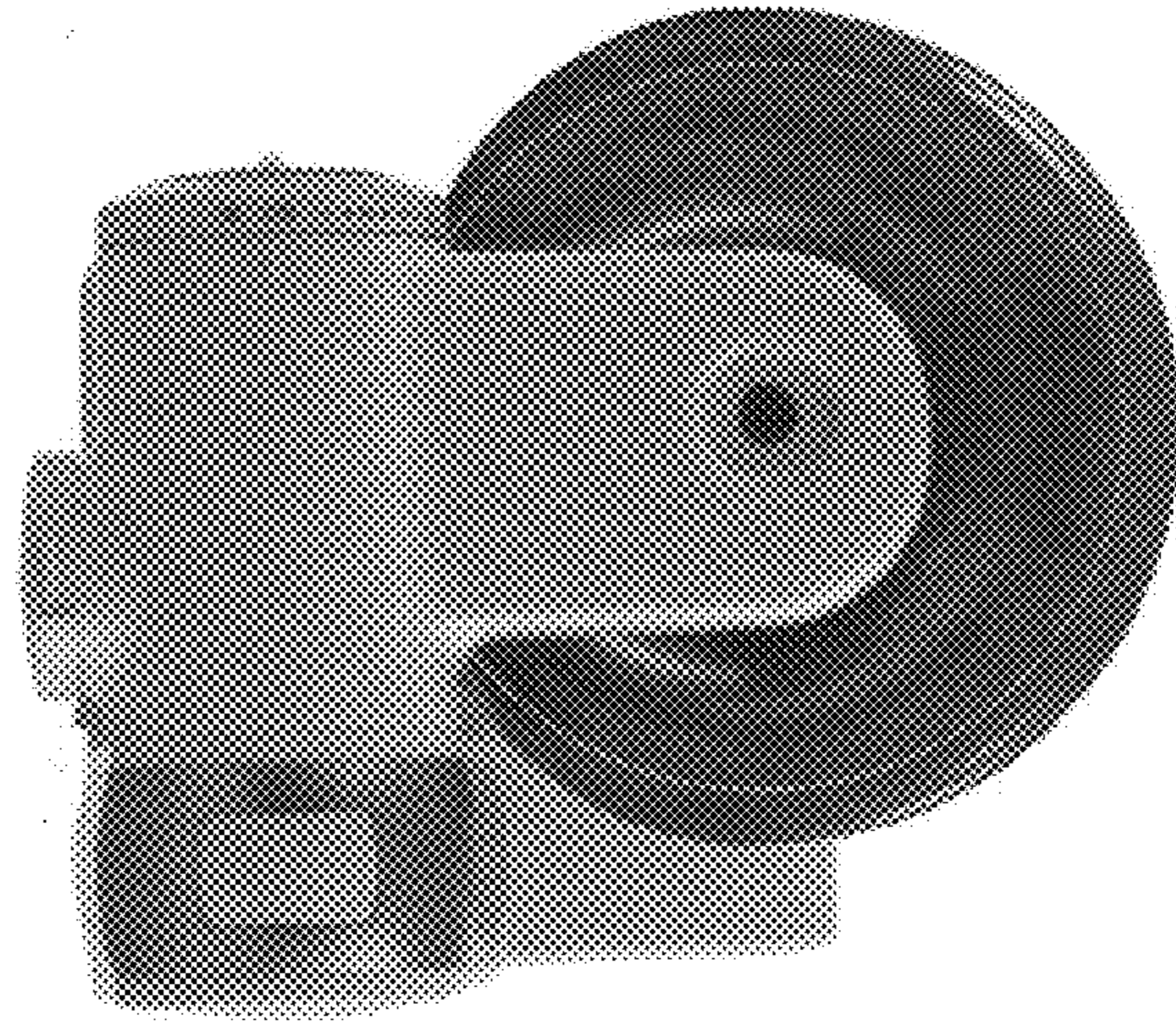


FIG. 8

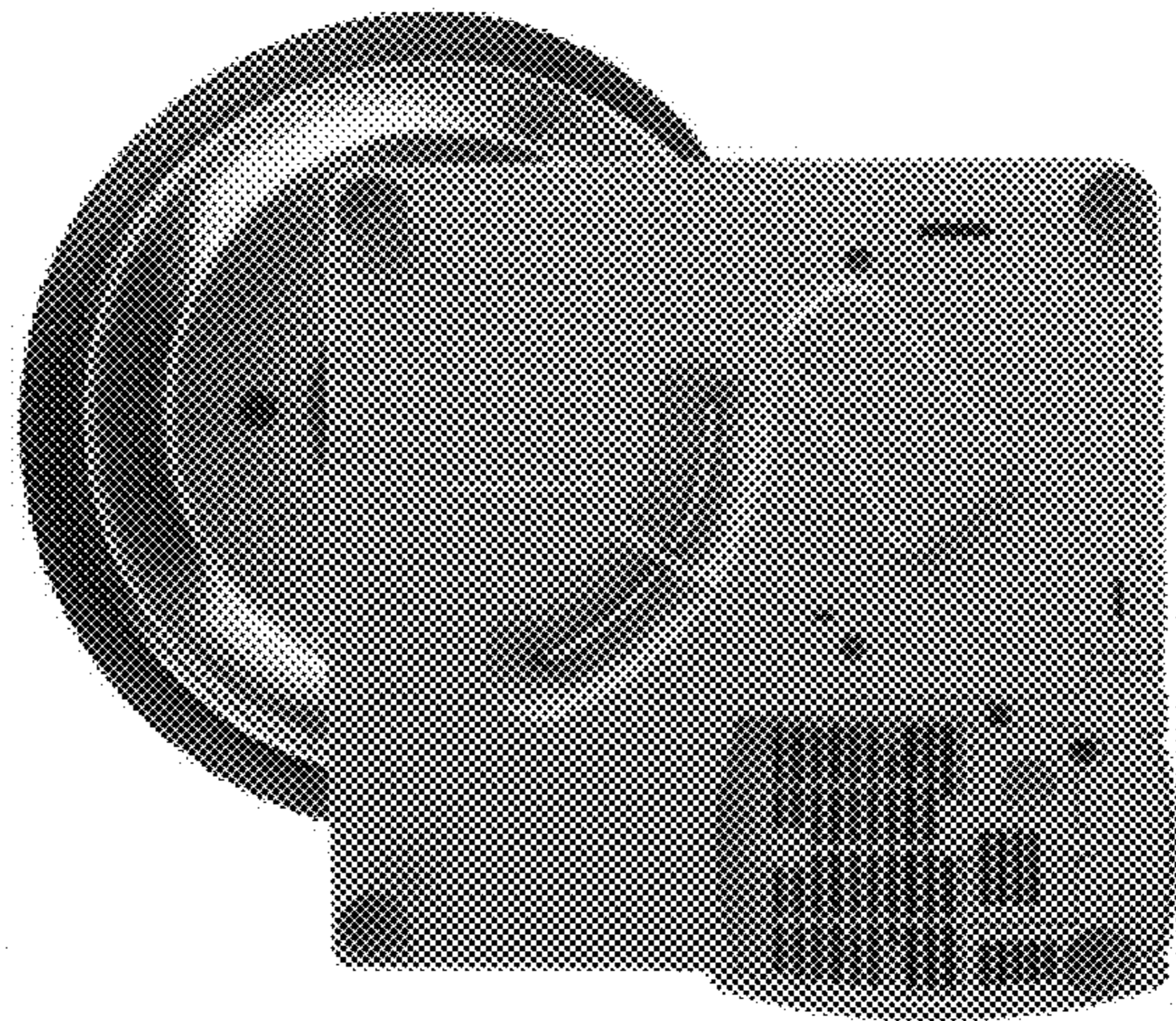


FIG. 9

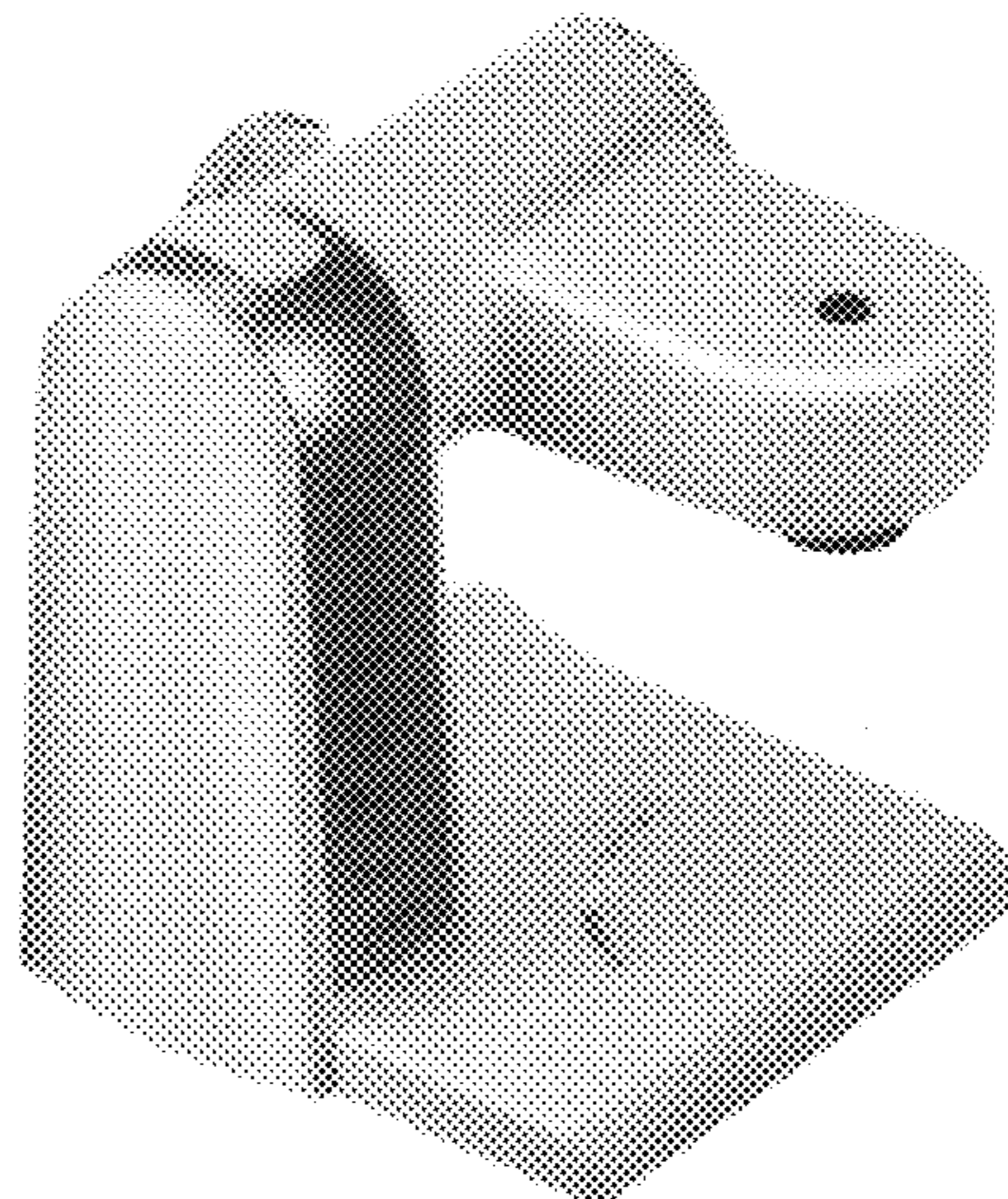


FIG. 10

