



US00D470716S

(12) **United States Design Patent**  
**Kloppsteck**

(10) **Patent No.:** **US D470,716 S**

(45) **Date of Patent:** **\*\* Feb. 25, 2003**

(54) **FRYING PAN**

(75) **Inventor:** **Gerd Kloppsteck, Arnsberg (DE)**

(73) **Assignee:** **Heinrich Berndes Haushaltstechnik GmbH & Co. KG, Arnsberg (DE)**

(\*\*) **Term:** **14 Years**

(21) **Appl. No.:** **29/164,713**

(22) **Filed:** **Jul. 31, 2002**

(30) **Foreign Application Priority Data**

Feb. 14, 2002 (DE) ..... 4 02 01 272

(51) **LOC (7) Cl.** ..... **07-02**

(52) **U.S. Cl.** ..... **D7/361**

(58) **Field of Search** ..... D7/323, 354-361;  
99/324, 325, 339, 345, 425, 426, 445; 126/373,  
390; 220/573.1, 912

(56) **References Cited**

**U.S. PATENT DOCUMENTS**

D176,328 S \* 12/1955 Hampshire ..... D7/361  
5,323,693 A \* 6/1994 Collard et al. .... 99/425

D363,851 S \* 11/1995 Chen ..... D7/361

D366,181 S \* 1/1996 Rossiaud ..... D7/361

D373,287 S \* 9/1996 Antonio ..... D7/361

D375,433 S \* 11/1996 Jorgensen ..... D7/354

D377,883 S \* 2/1997 Candianides ..... D7/361

\* cited by examiner

*Primary Examiner*—Caron D. Veynar

(74) *Attorney, Agent, or Firm*—Hoffman, Wasson & Gitler  
PC

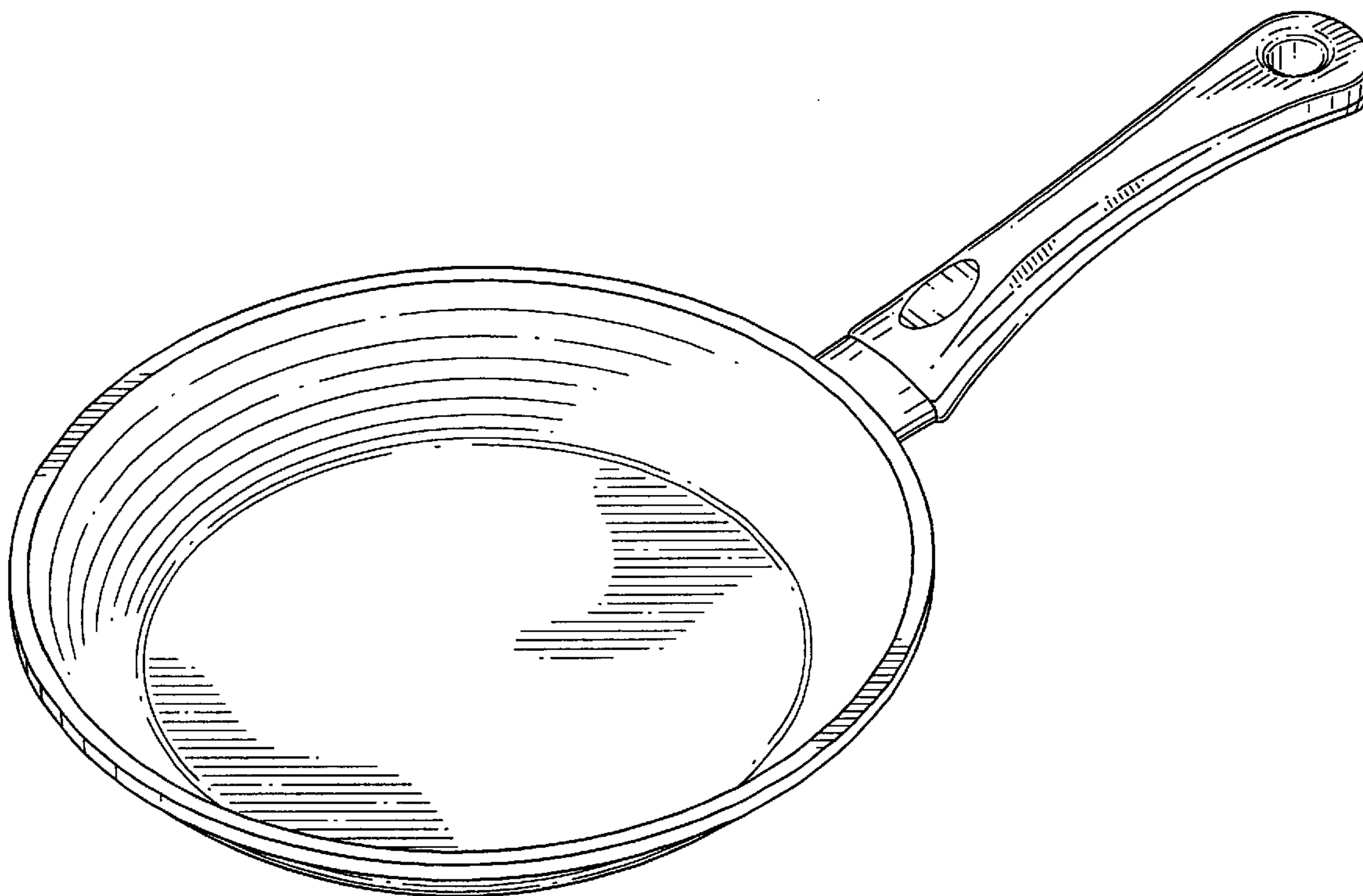
(57) **CLAIM**

The ornamental design for a frying pan, as shown and described.

**DESCRIPTION**

FIG. 1 is a perspective view of a frying pan;  
FIG. 2 is a front view of a frying pan;  
FIG. 3 is a rear view of a frying pan;  
FIG. 4 is a side view of a frying pan, the opposite side view is a mirror image;  
FIG. 5 is a top view of a frying pan; and,  
FIG. 6 is a bottom view of a frying pan.

**1 Claim, 6 Drawing Sheets**



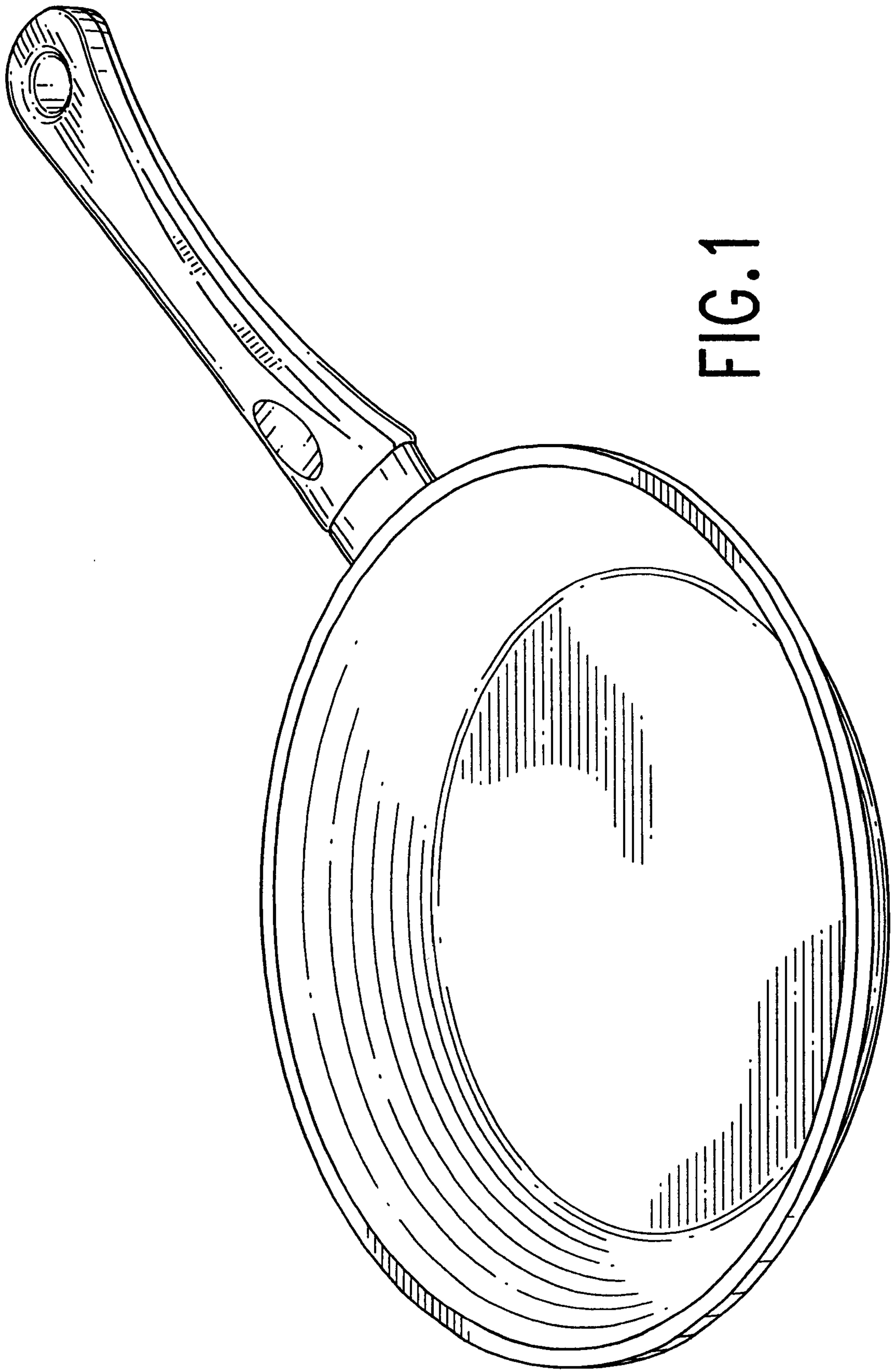


FIG. 1

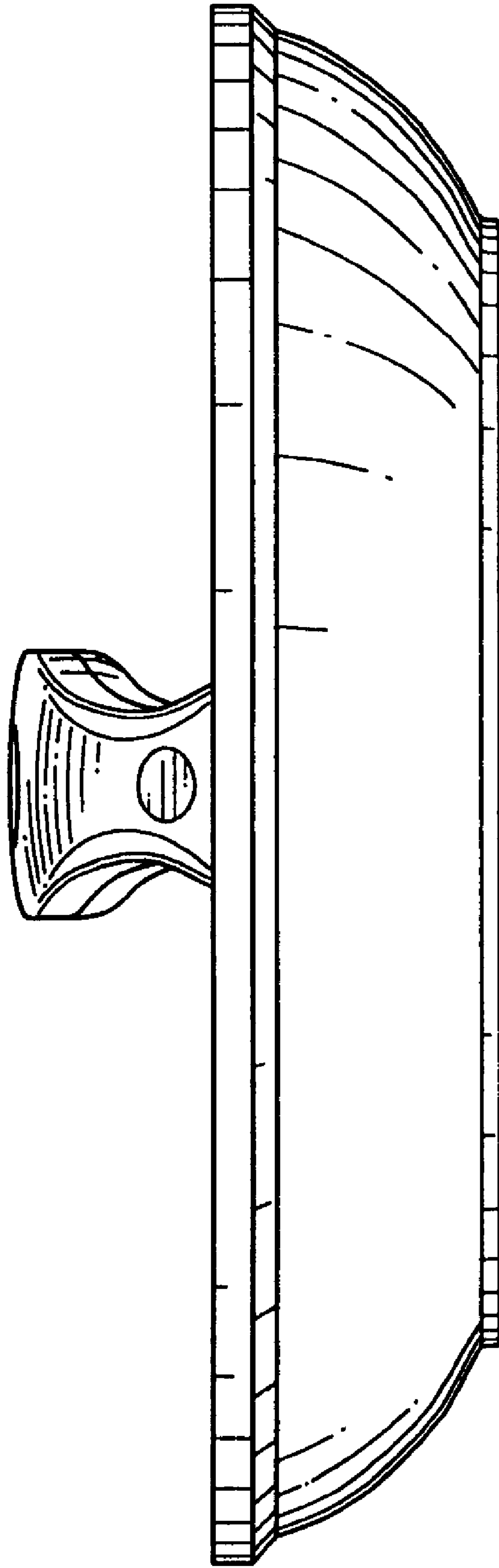


FIG. 2

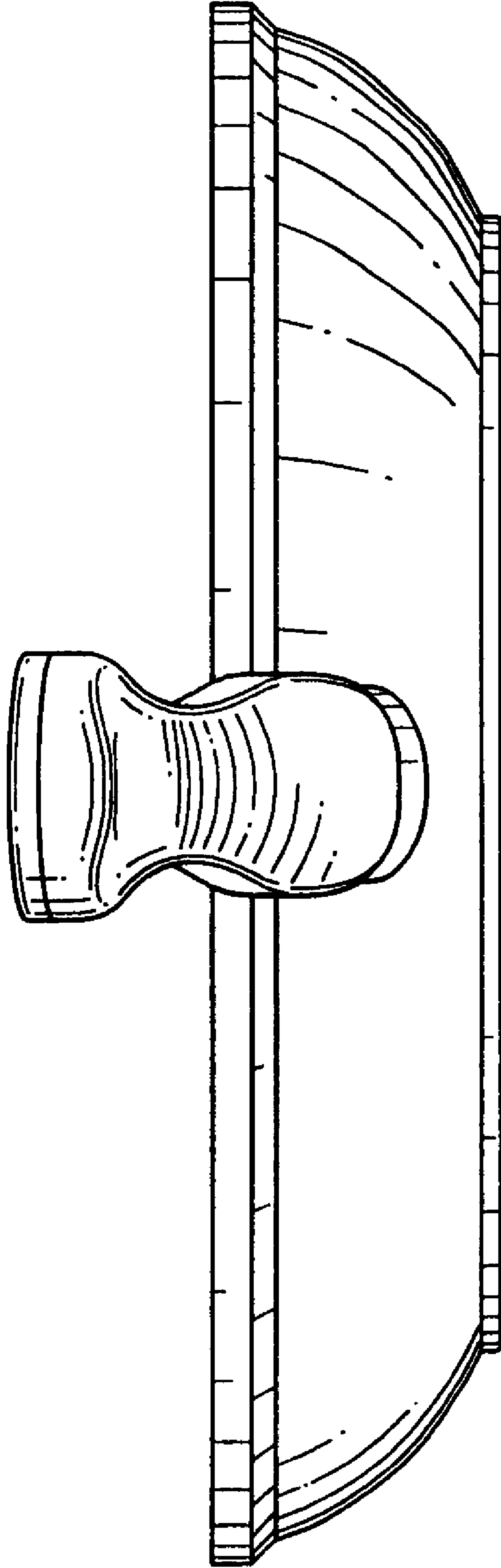


FIG. 3

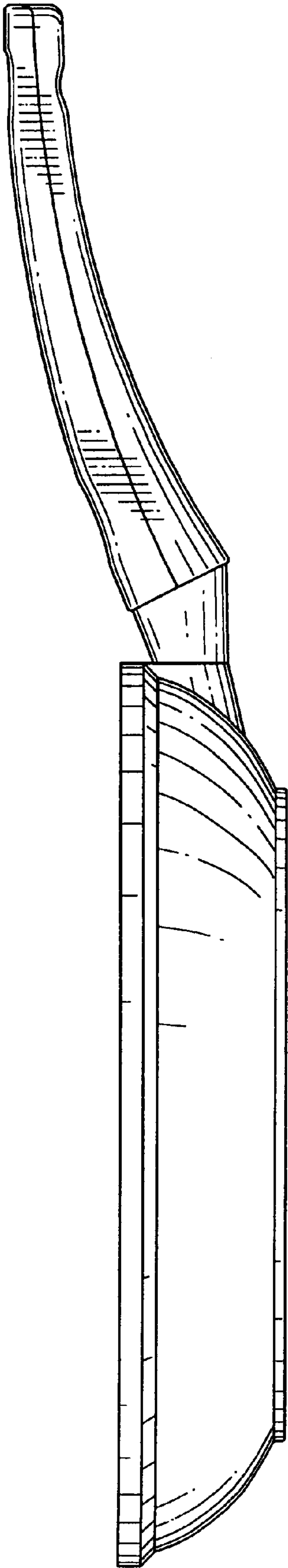


FIG.4

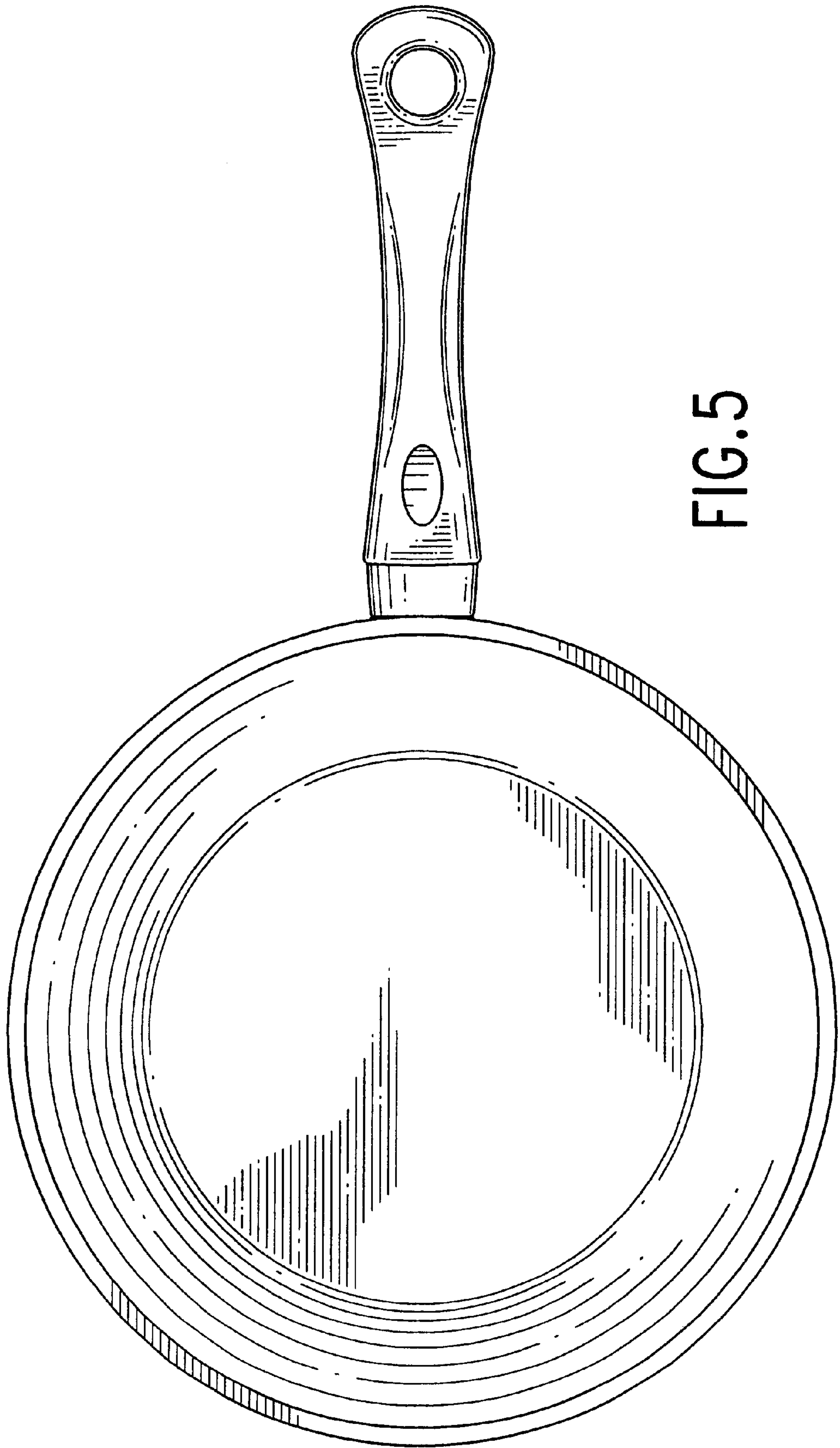


FIG. 5



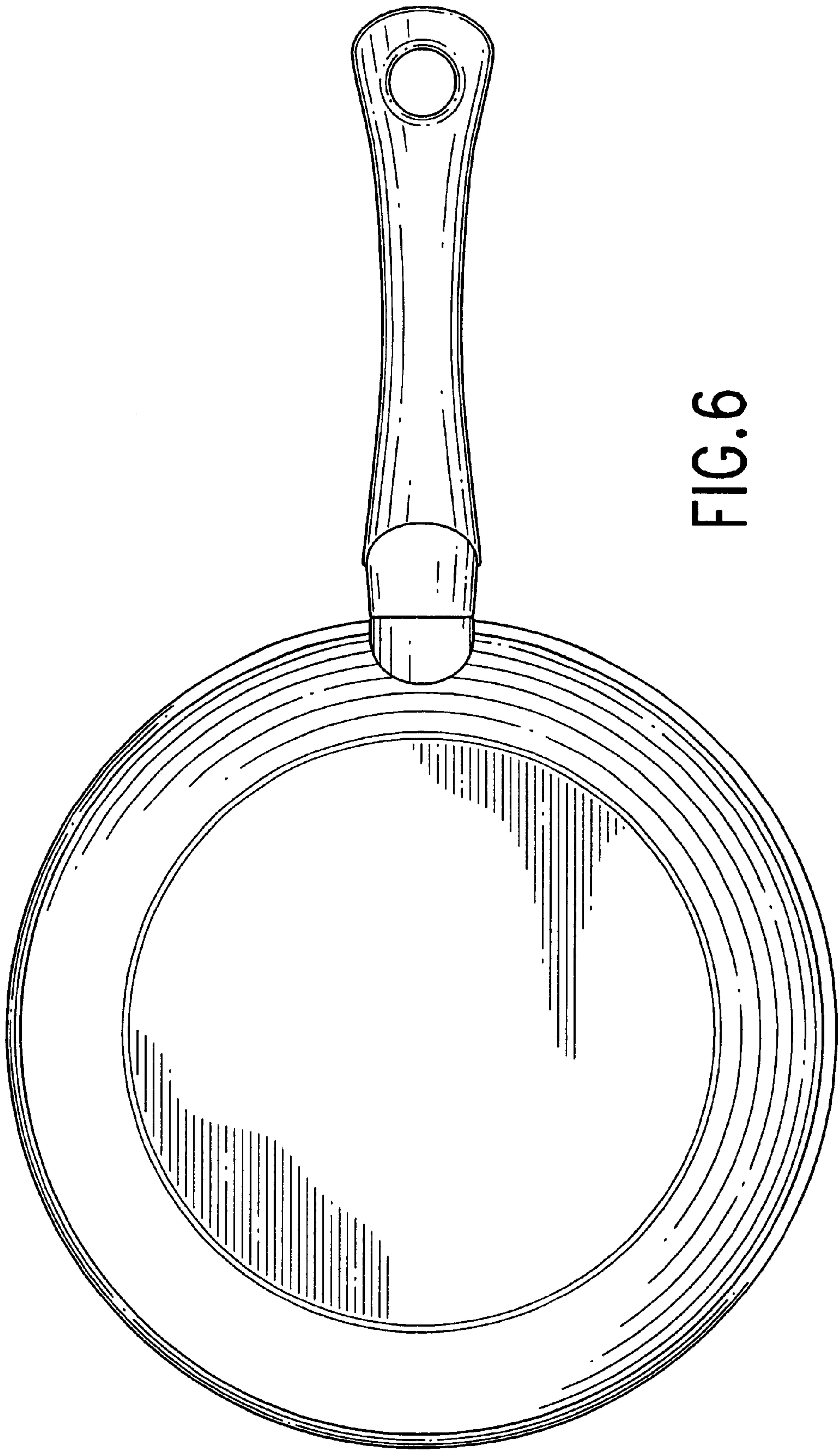


FIG. 6