



US00D470714S

(12) **United States Design Patent**
Kloppsteck

(10) **Patent No.:** **US D470,714 S**

(45) **Date of Patent:** **** Feb. 25, 2003**

(54) **ROASTING PAN**

1,874,807 A * 8/1932 Rudolph 220/772
2,131,663 A * 9/1938 Hughes 220/772

(75) Inventor: **Gerd Kloppsteck**, Arnsberg (DE)

* cited by examiner

(73) Assignee: **Heinrich Berndes Haushaltstechnik GmbH & Co. KG**, Arnsberg (DE)

Primary Examiner—Caron D. Veynar
(74) *Attorney, Agent, or Firm*—Hoffman, Wasson & Gitler PC

(**) Term: **14 Years**

(21) Appl. No.: **29/164,476**

(57) **CLAIM**

(22) Filed: **Jul. 26, 2002**

The ornamental design for a roasting pan, as shown and described.

(30) **Foreign Application Priority Data**

Feb. 14, 2002 (DE) 402 01 272

DESCRIPTION

(51) **LOC (7) Cl.** **07-02**

FIG. 1 is a front view of a roasting pan;

(52) **U.S. Cl.** **D7/360**

FIG. 2 is a rear view of a roasting pan;

(58) **Field of Search** D7/323, 354-361;
99/324, 339; 220/573.1, 4.21, 772, 912

FIG. 3 is a side view of a roasting pan;

FIG. 4 is a top view of a roasting pan; and,

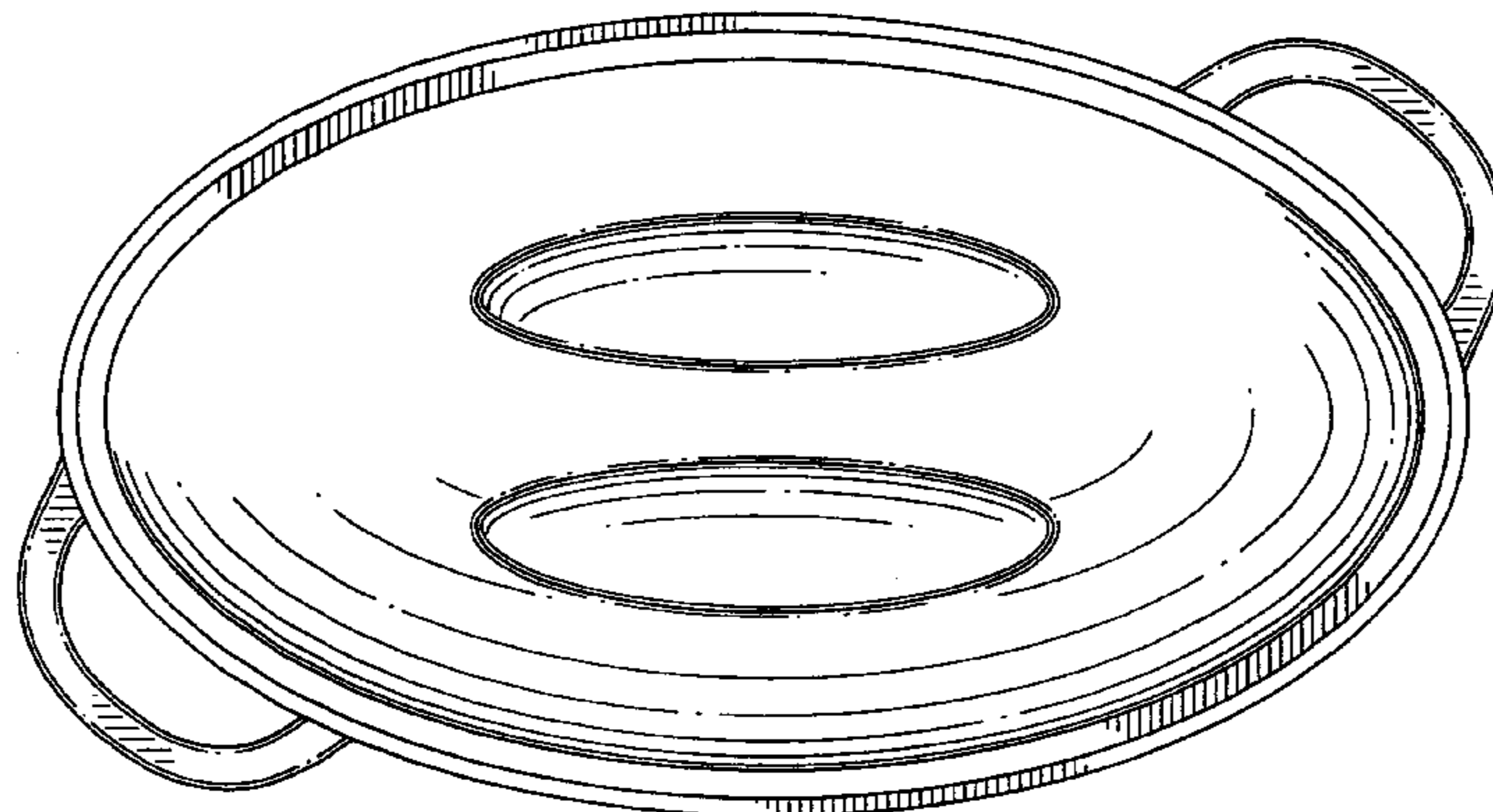
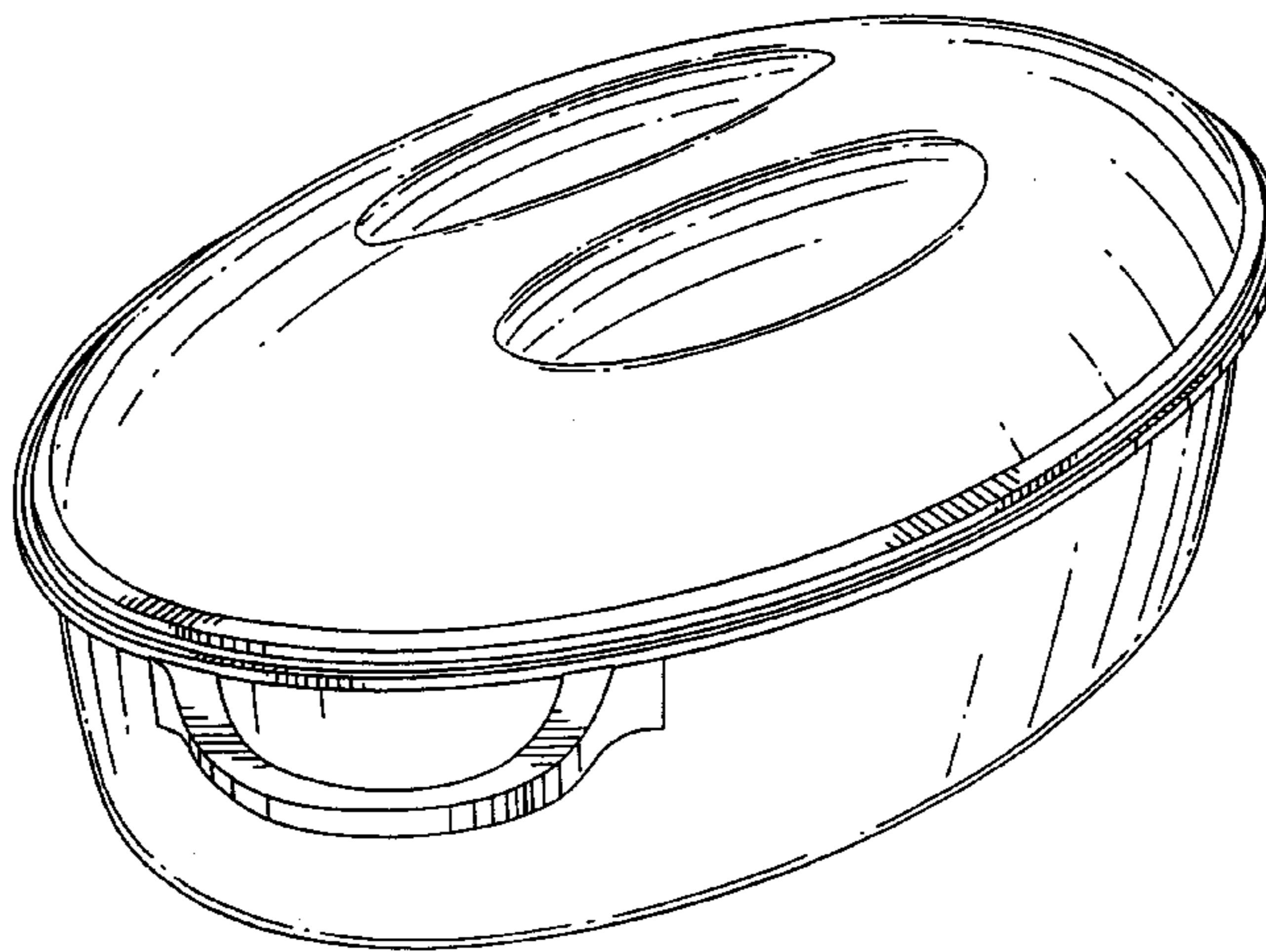
FIG. 5 is a bottom view of a roasting pan.

(56) **References Cited**

U.S. PATENT DOCUMENTS

925,781 A * 6/1909 Mathy 220/4.21

1 Claim, 5 Drawing Sheets



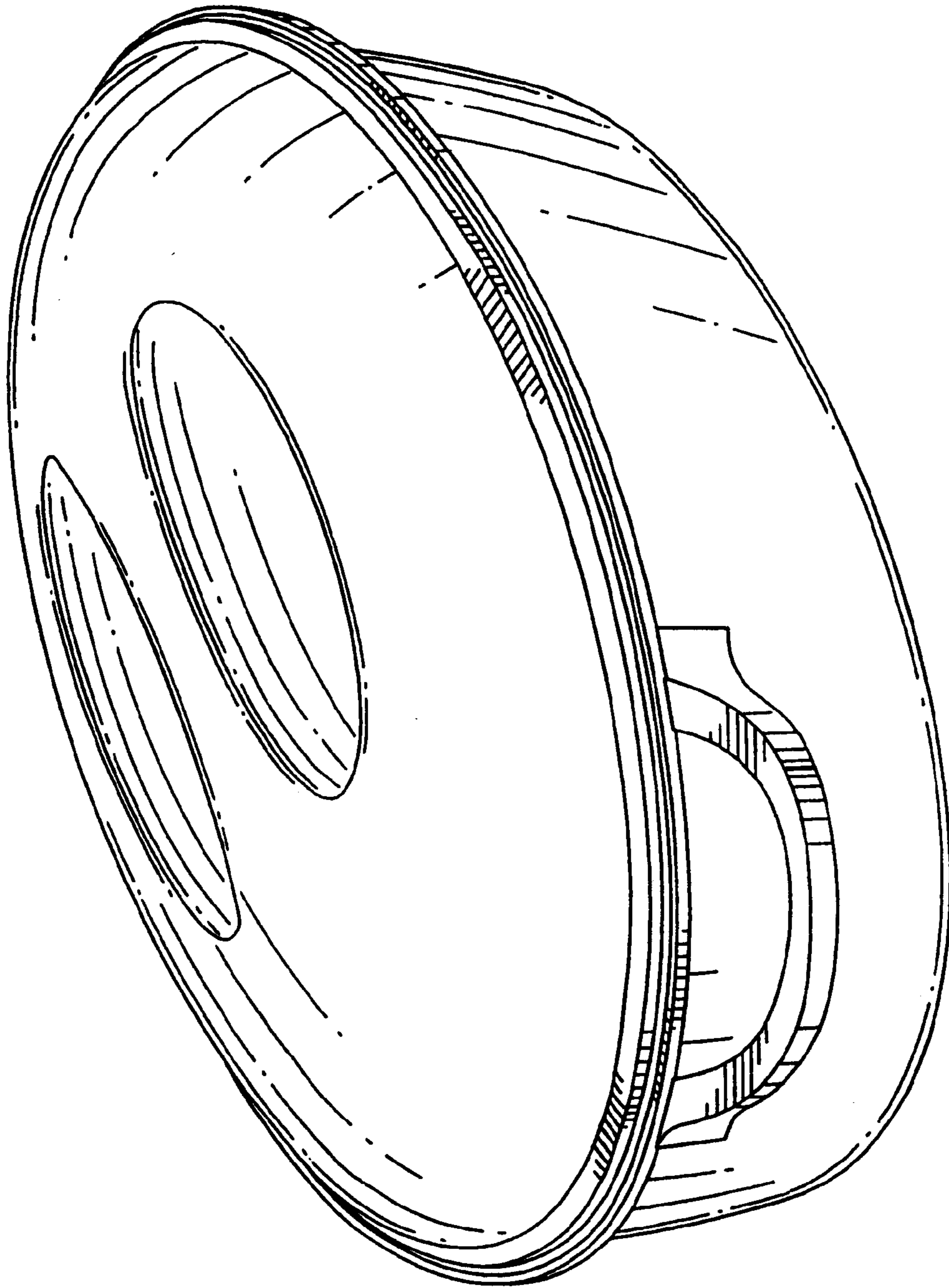


FIG. 1

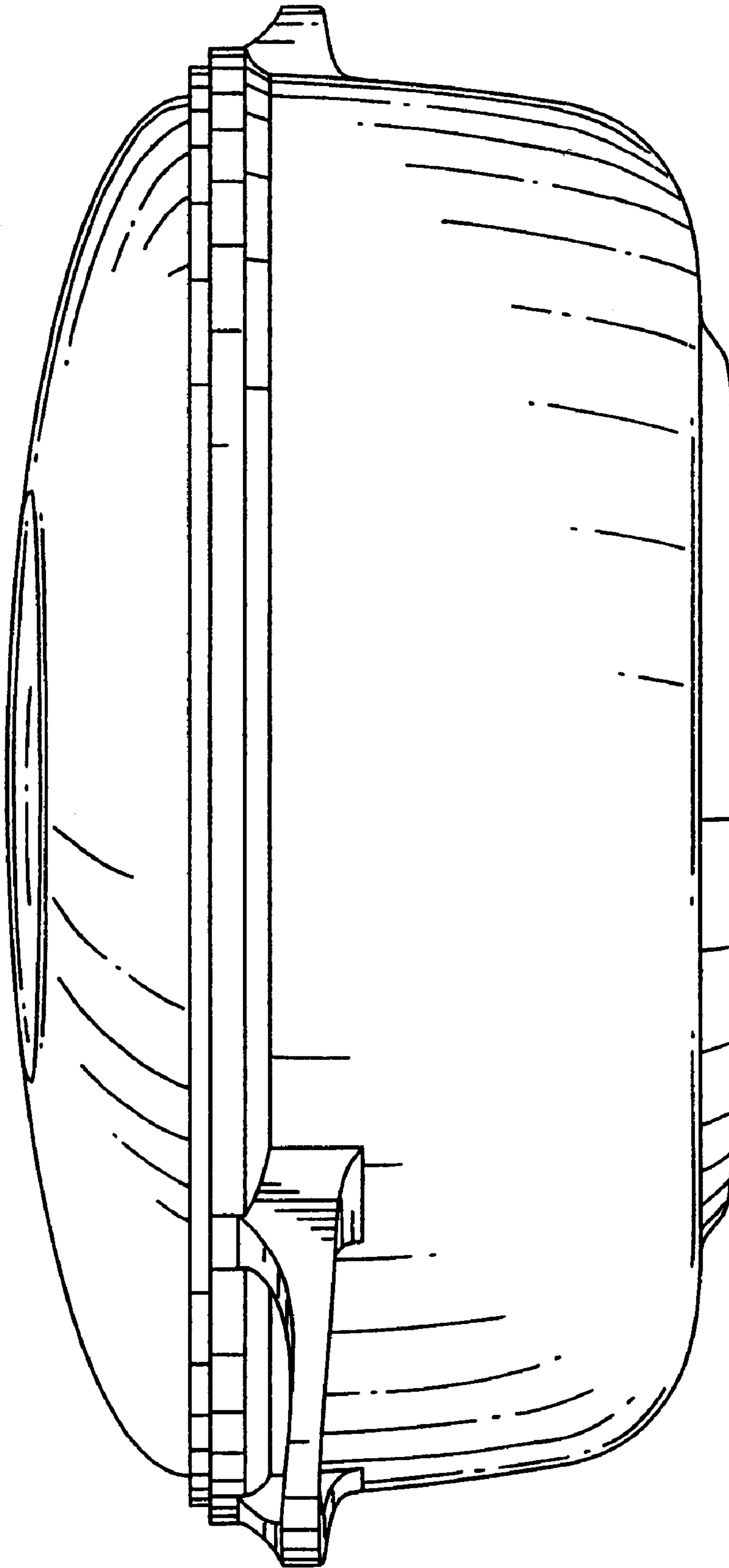


FIG. 2

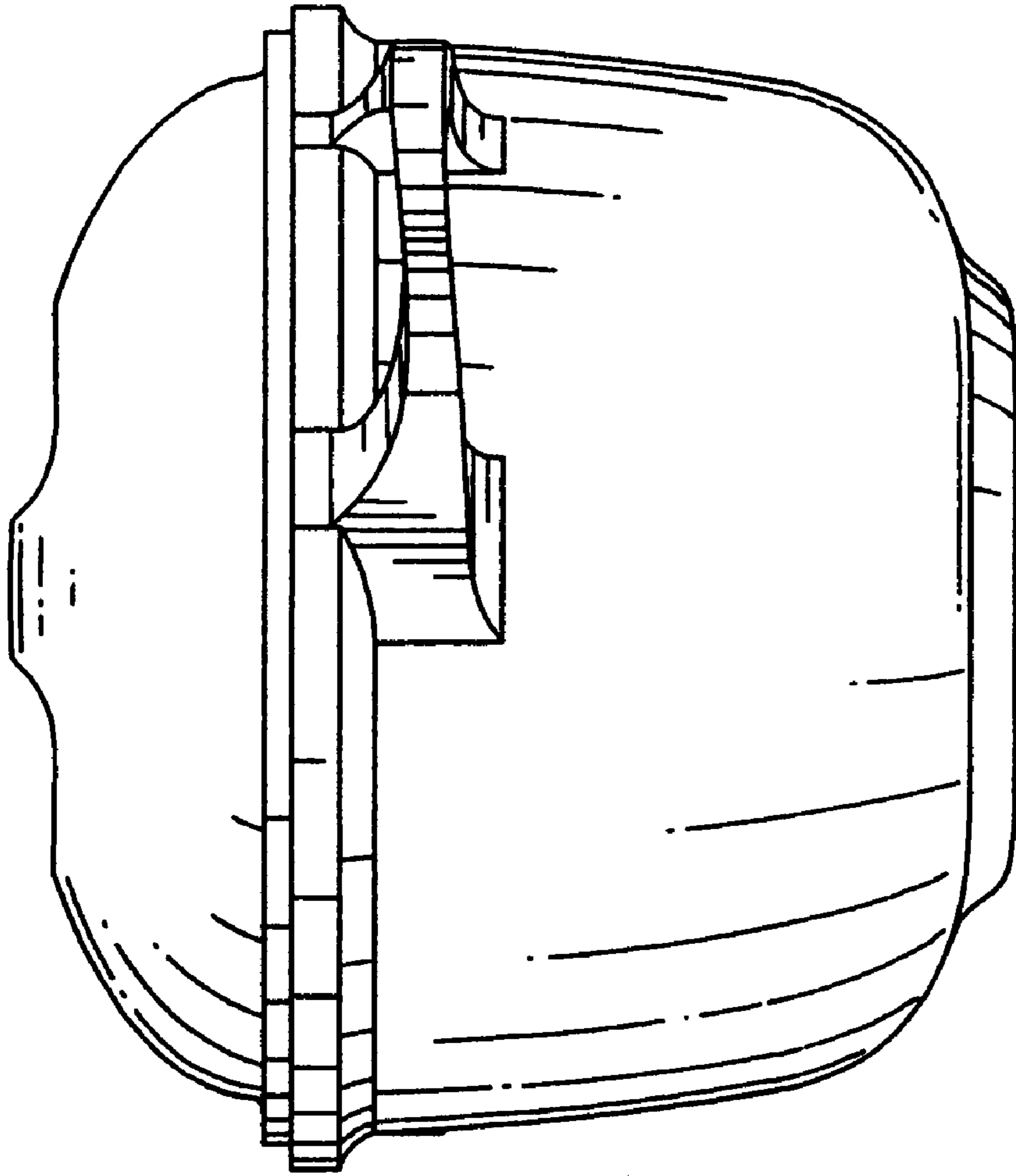


FIG. 3

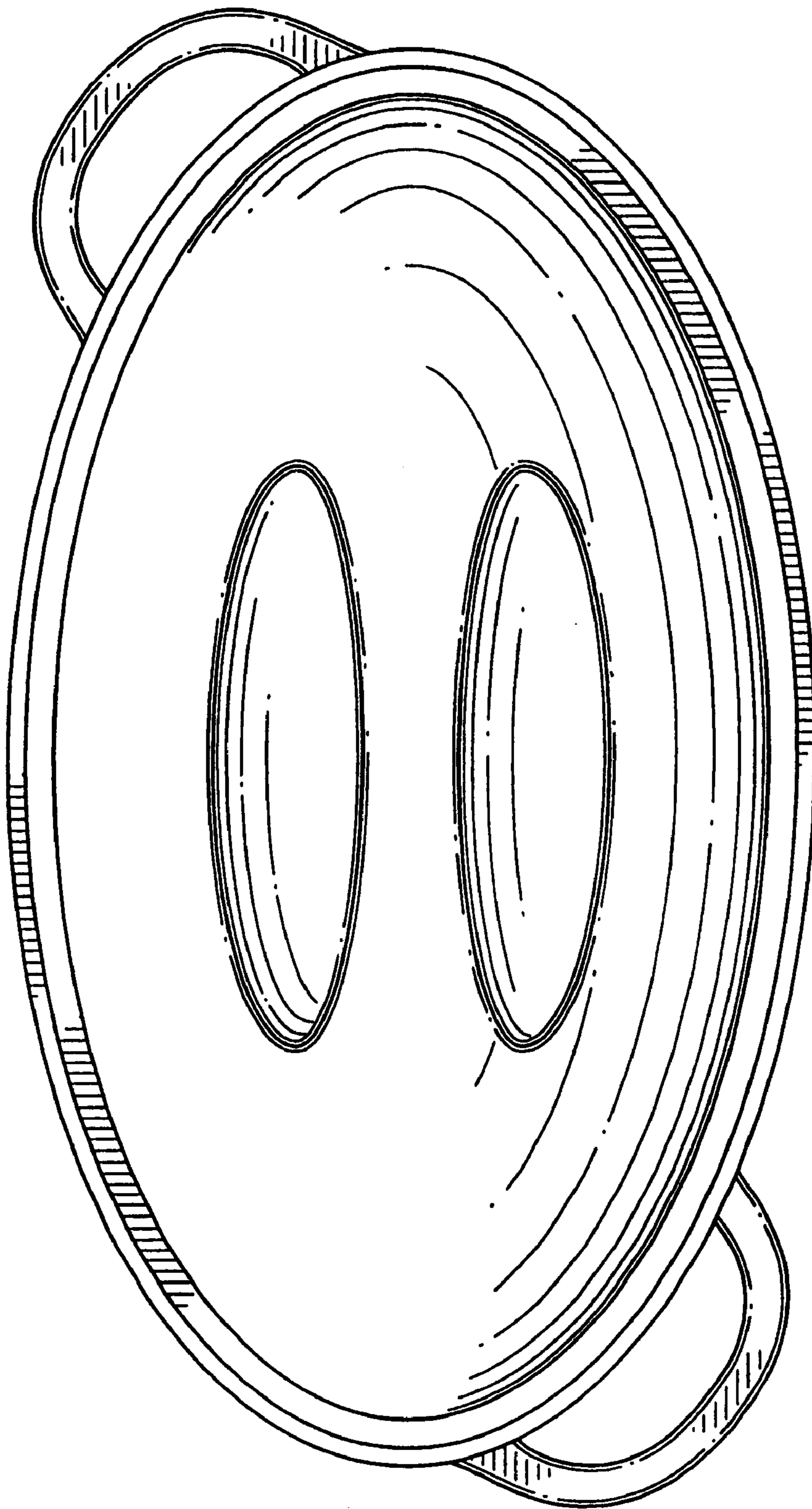


FIG. 4

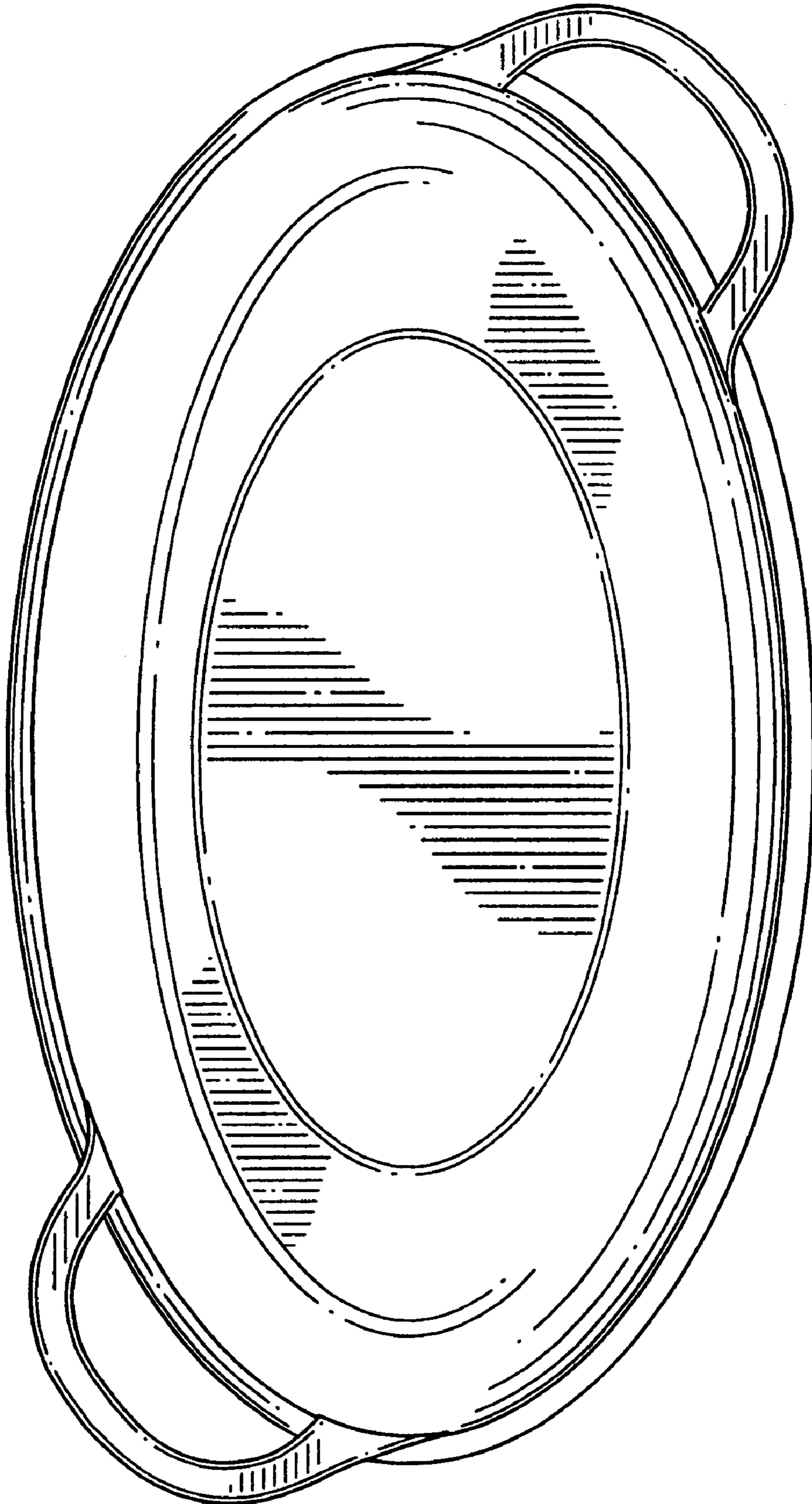


FIG. 5