



US00D470708S

(12) **United States Design Patent**
Young

(10) **Patent No.:** **US D470,708 S**

(45) **Date of Patent:** **** Feb. 25, 2003**

(54) **SOLAR ROTISSERIE HOT DOG COOKER**

5,924,415 A * 7/1999 Esteverena 126/681

(76) Inventor: **Robert W. Young**, 705 Milmont Ave.,
Swarthmore, PA (US) 19081

* cited by examiner

(**) Term: **14 Years**

Primary Examiner—Catherine R. Oliver
(74) *Attorney, Agent, or Firm*—Goldstein & Lavas, P.C.

(21) Appl. No.: **29/160,153**

(22) Filed: **May 3, 2002**

(57) **CLAIM**

The ornamental design for a solar rotisserie hot dog cooker,
as shown and described.

(51) **LOC (7) Cl.** **07-02**

DESCRIPTION

(52) **U.S. Cl.** **D7/324**

FIG. 1 is a perspective view of a solar rotisserie hot dog
cooker.

(58) **Field of Search** D7/324, 323, 326,
D7/339, 340, 354, 402, 605, 338; 126/681,
682, 607, 606, 600; 99/421 R

FIG. 2 is a right side elevational view thereof.

FIG. 3 is a left side elevational view thereof.

FIG. 4 is a rear elevational view thereof.

FIG. 5 is a front elevational view thereof.

FIG. 6 is a top plan view of the solar rotisserie hot dog
cooker; and,

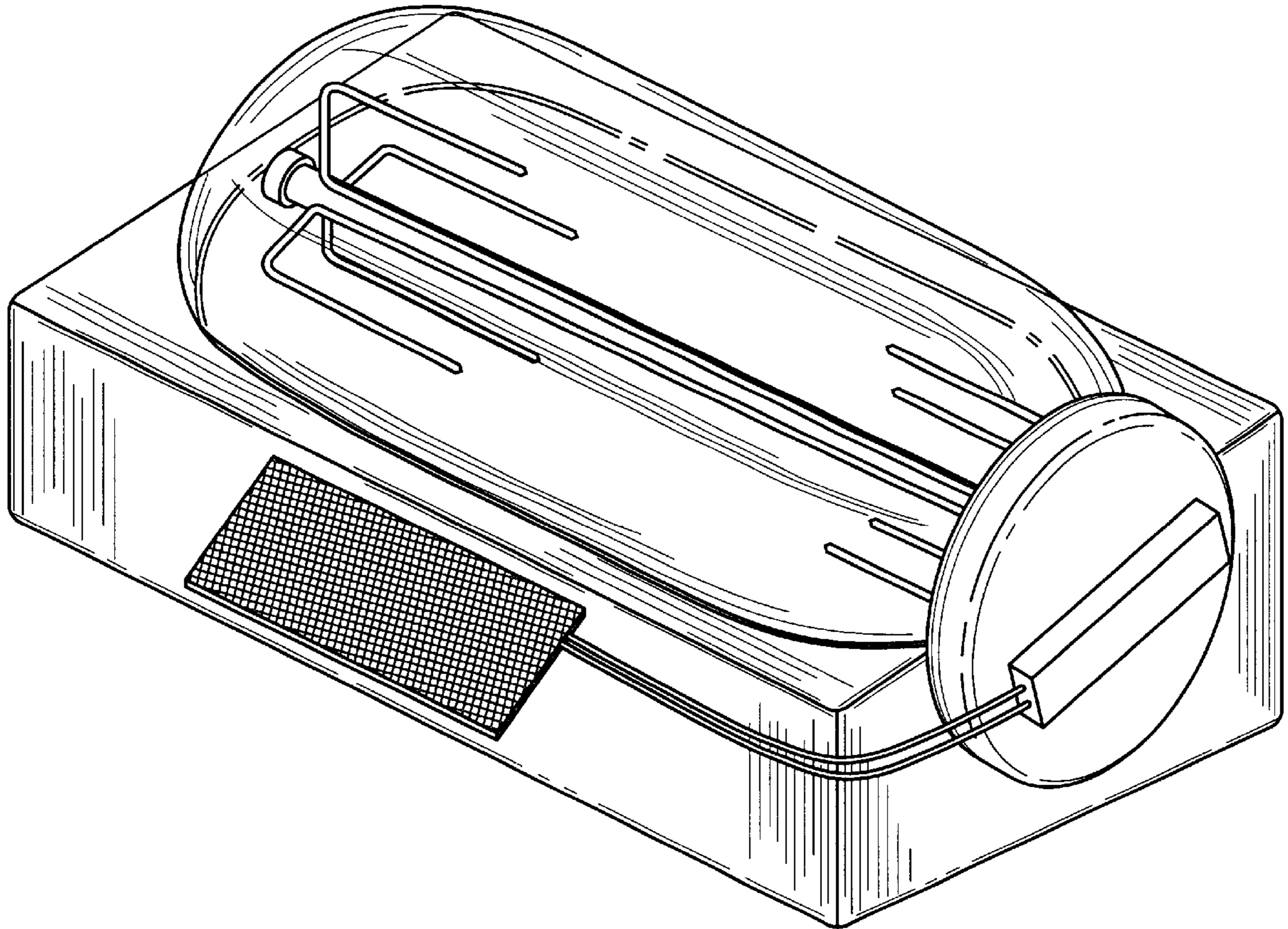
FIG. 7 is a bottom plan view thereof.

(56) **References Cited**

U.S. PATENT DOCUMENTS

- D259,384 S * 6/1981 Levin D7/324
- 5,054,467 A * 10/1991 Videtto, Jr. 126/681
- D373,924 S * 9/1996 Tralongo D7/324

1 Claim, 4 Drawing Sheets



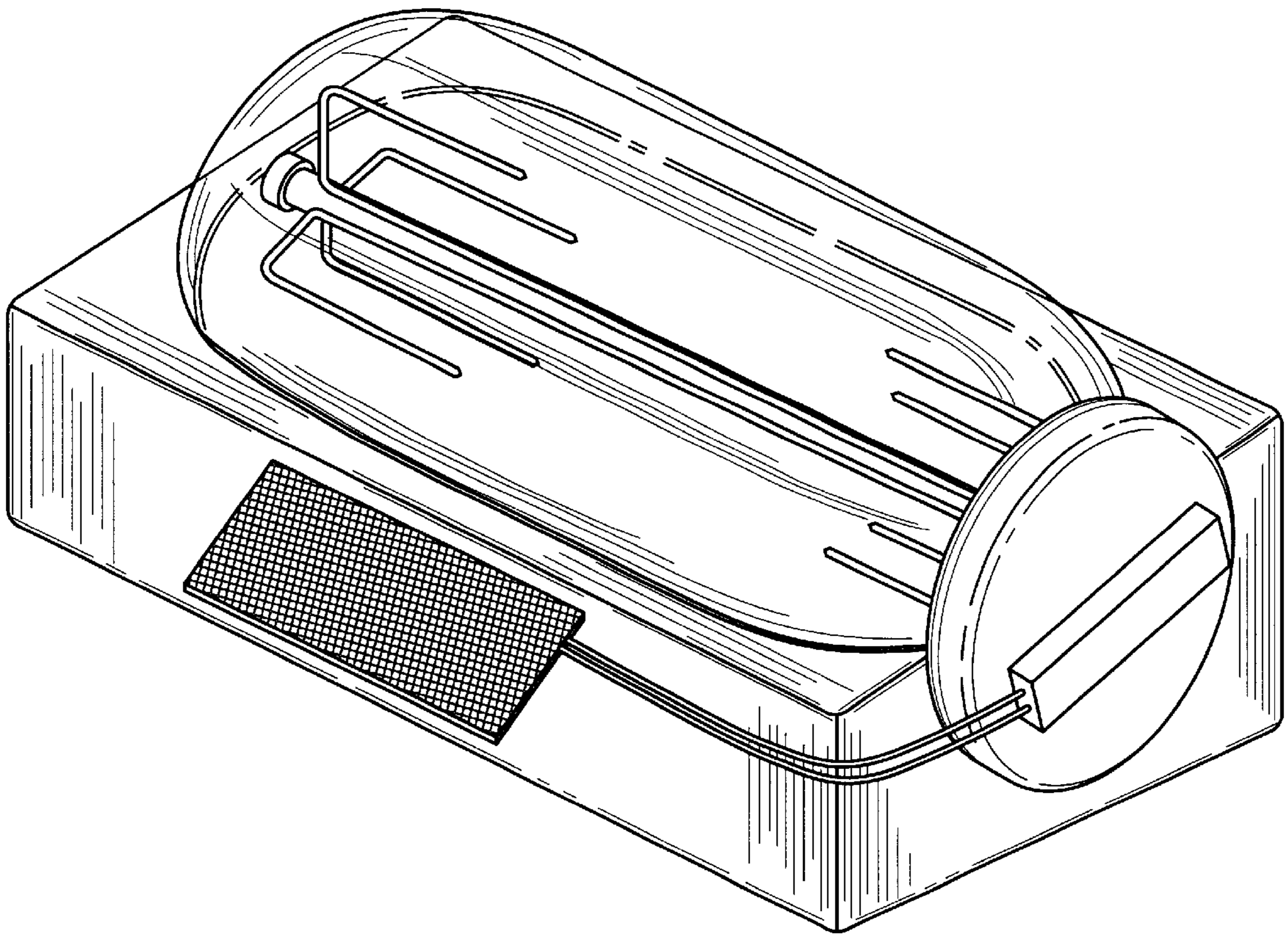


Fig. 1

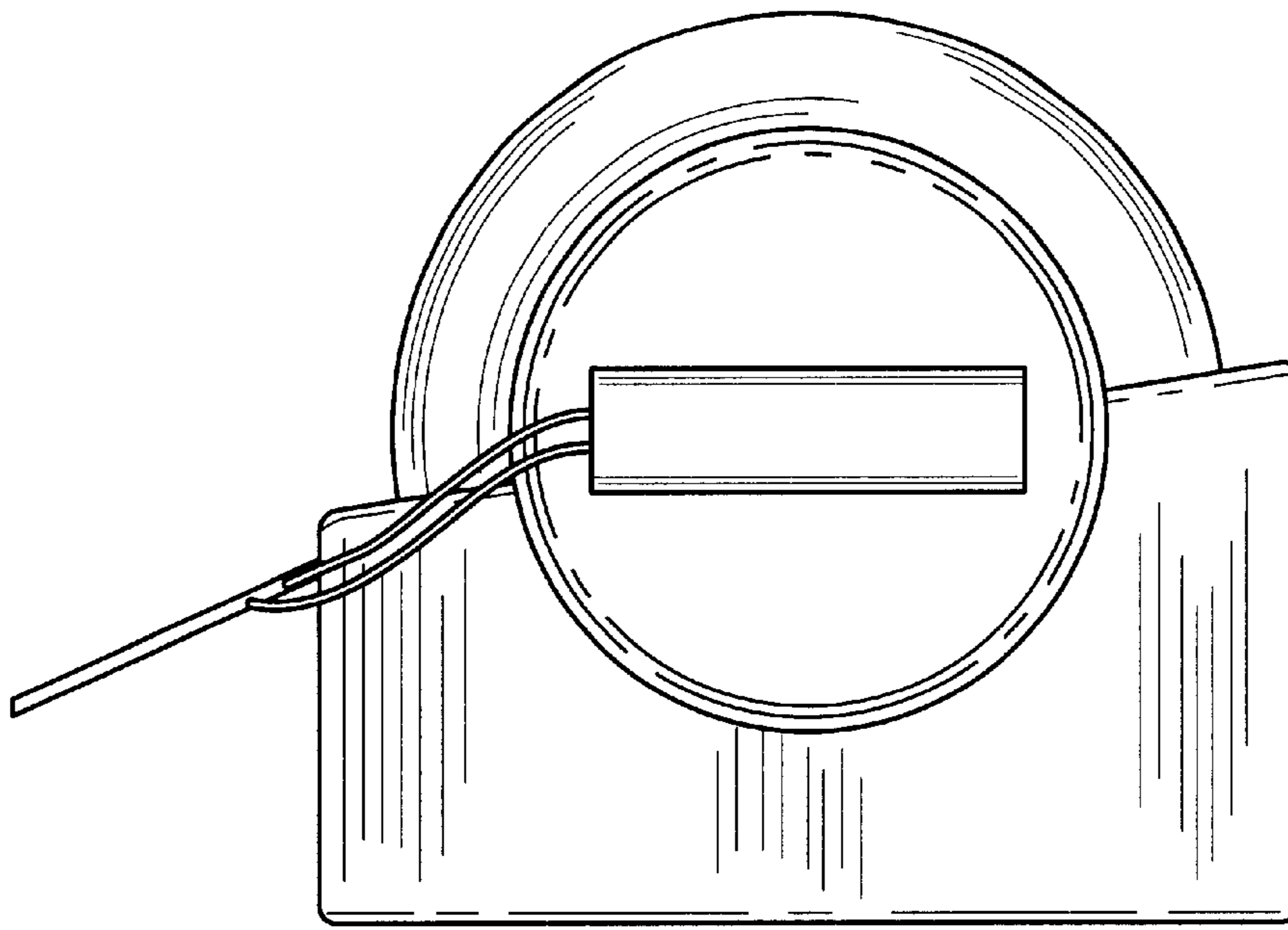


Fig. 2

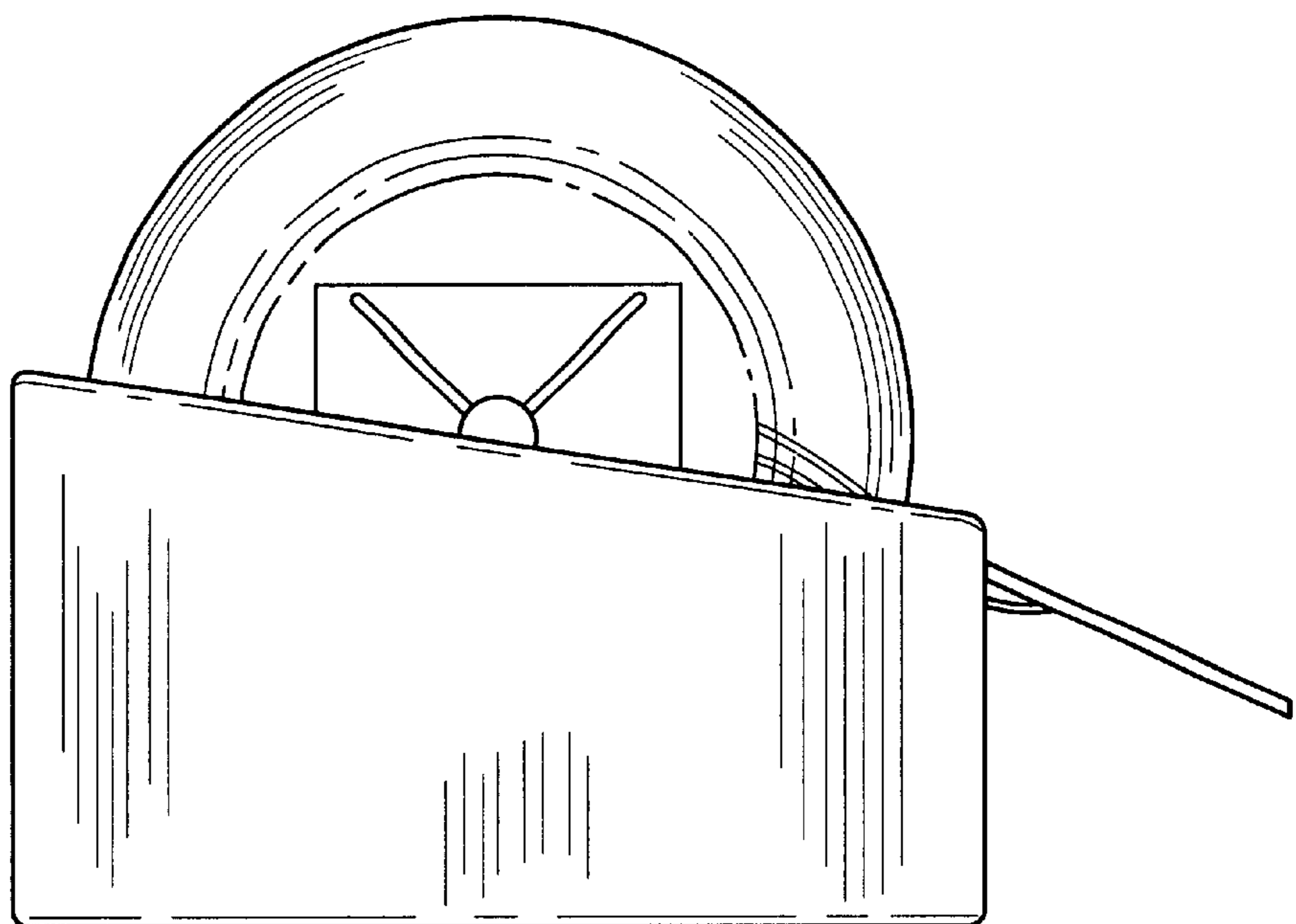


Fig. 3

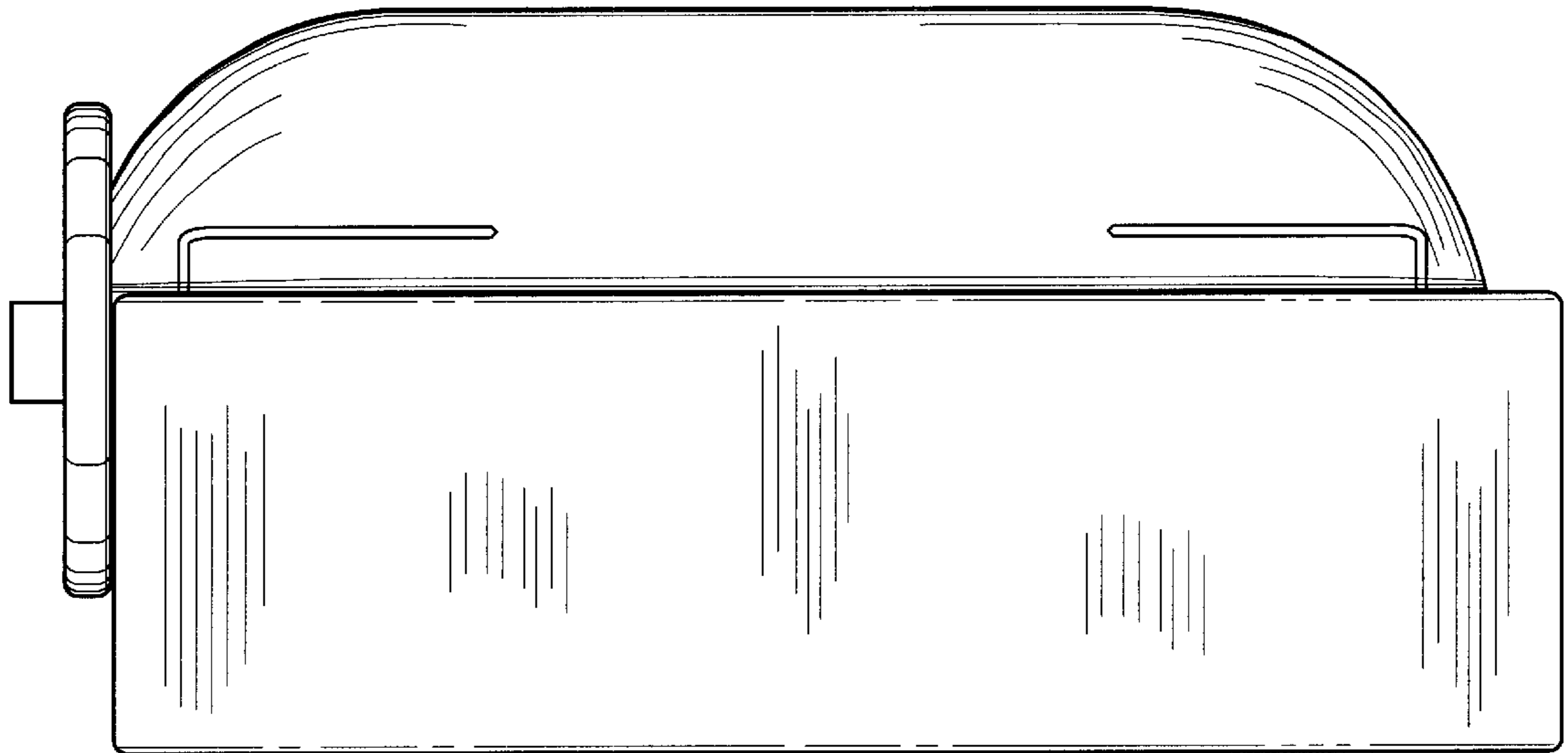


Fig. 4

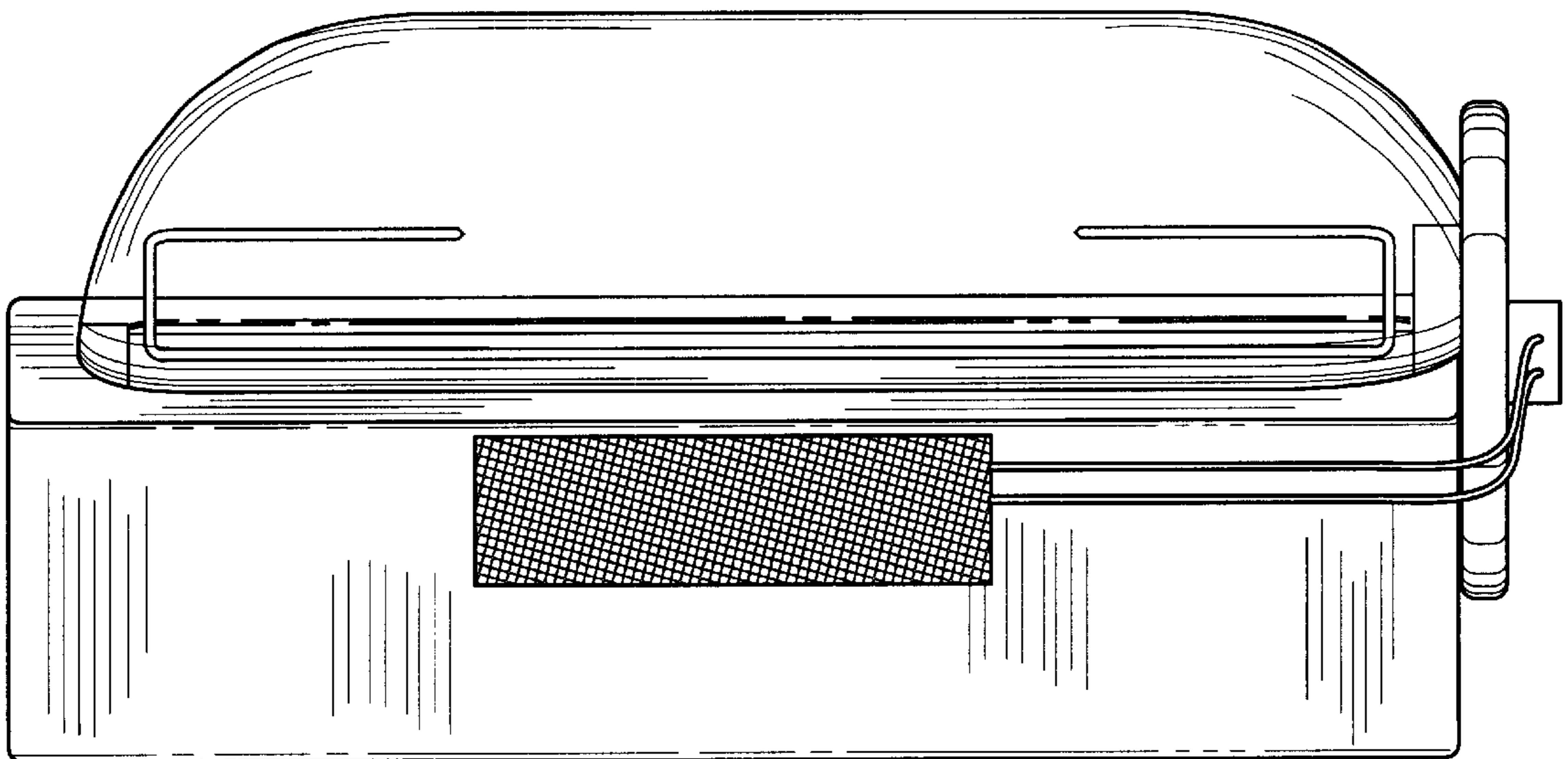


Fig. 5

