



US00D470703S

(12) **United States Design Patent**  
**Hoernig**

(10) **Patent No.:** **US D470,703 S**

(45) **Date of Patent:** **\*\* Feb. 25, 2003**

(54) **DOUBLE TRAY**

D450,969 S \* 11/2001 Lai ..... D6/574  
D458,072 S \* 6/2002 Hoernig ..... D6/574

(75) Inventor: **Victor Hoernig**, Lowell, IN (US)

\* cited by examiner

(73) Assignee: **Bath Unlimited, Inc.**, Fort Mill, SC (US)

*Primary Examiner*—Brian N. Vinson

(\*\*) Term: **14 Years**

(74) *Attorney, Agent, or Firm*—Edgar A. Zarins; Lloyd D. Doigan

(21) Appl. No.: **29/163,141**

(57) **CLAIM**

(22) Filed: **Jun. 26, 2002**

The ornamental design for a double tray, as shown and described.

**Related U.S. Application Data**

**DESCRIPTION**

(62) Division of application No. 29/144,482, filed on Jul. 3, 2001.

(51) **LOC (7) Cl.** ..... **06-04**

(52) **U.S. Cl.** ..... **D6/574; D6/570**

(58) **Field of Search** ..... D6/566, 567, 553,  
D6/569, 570, 571, 574; 211/13.1, 42, 70.01,  
86.01, 87.01, 90.01, 90.04, 134

FIG. 1 is a perspective view of a double tray showing my new design;

FIG. 2 is a top plan view thereof;

FIG. 3 is a bottom plan view thereof;

FIG. 4 is a left side view thereof, the opposite side being a mirror image of the side shown;

FIG. 5 is a rear view thereof; and,

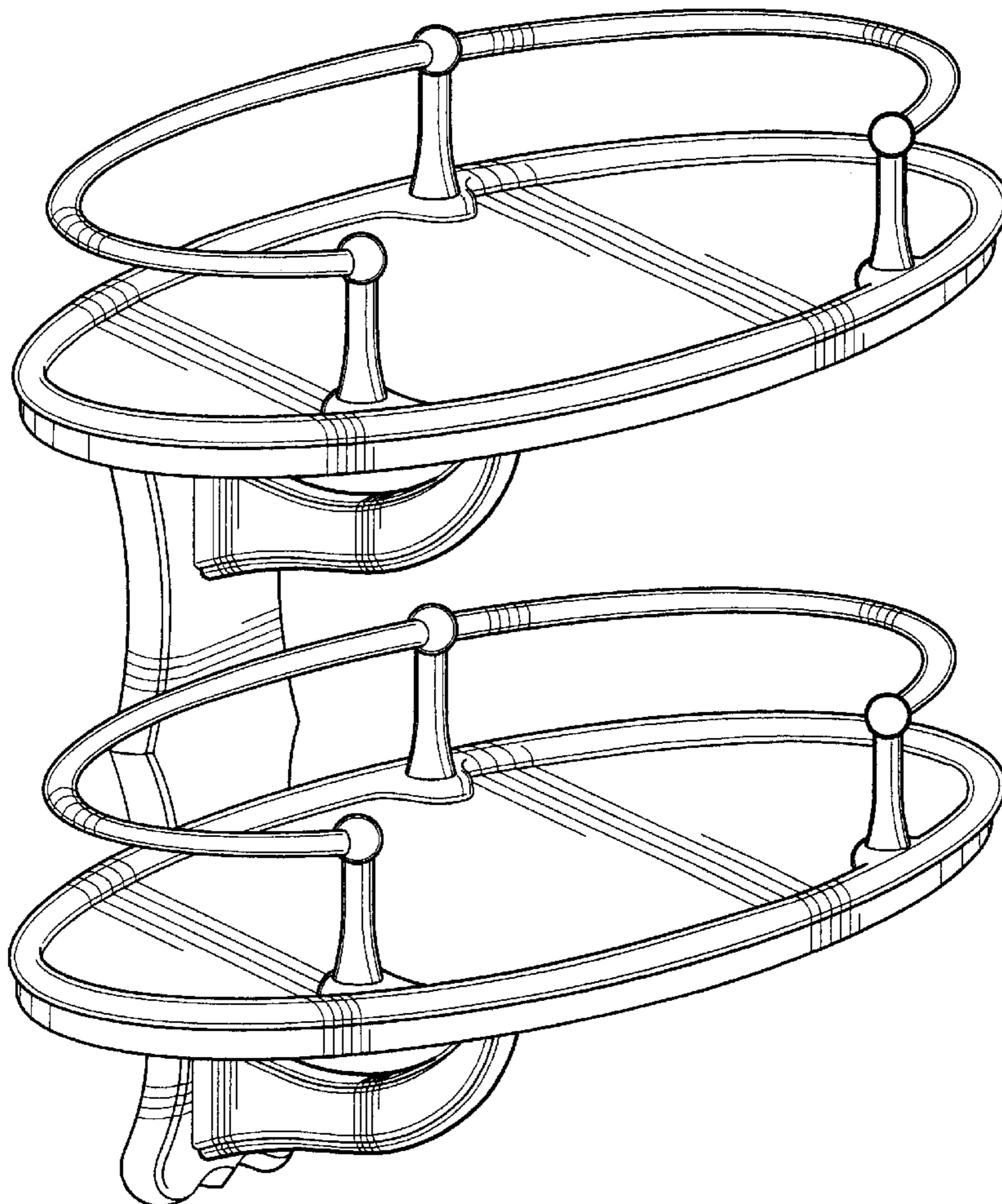
FIG. 6 is a front elevational view thereof.

(56) **References Cited**

**U.S. PATENT DOCUMENTS**

D344,651 S \* 3/1994 Reese ..... D6/574

**1 Claim, 5 Drawing Sheets**



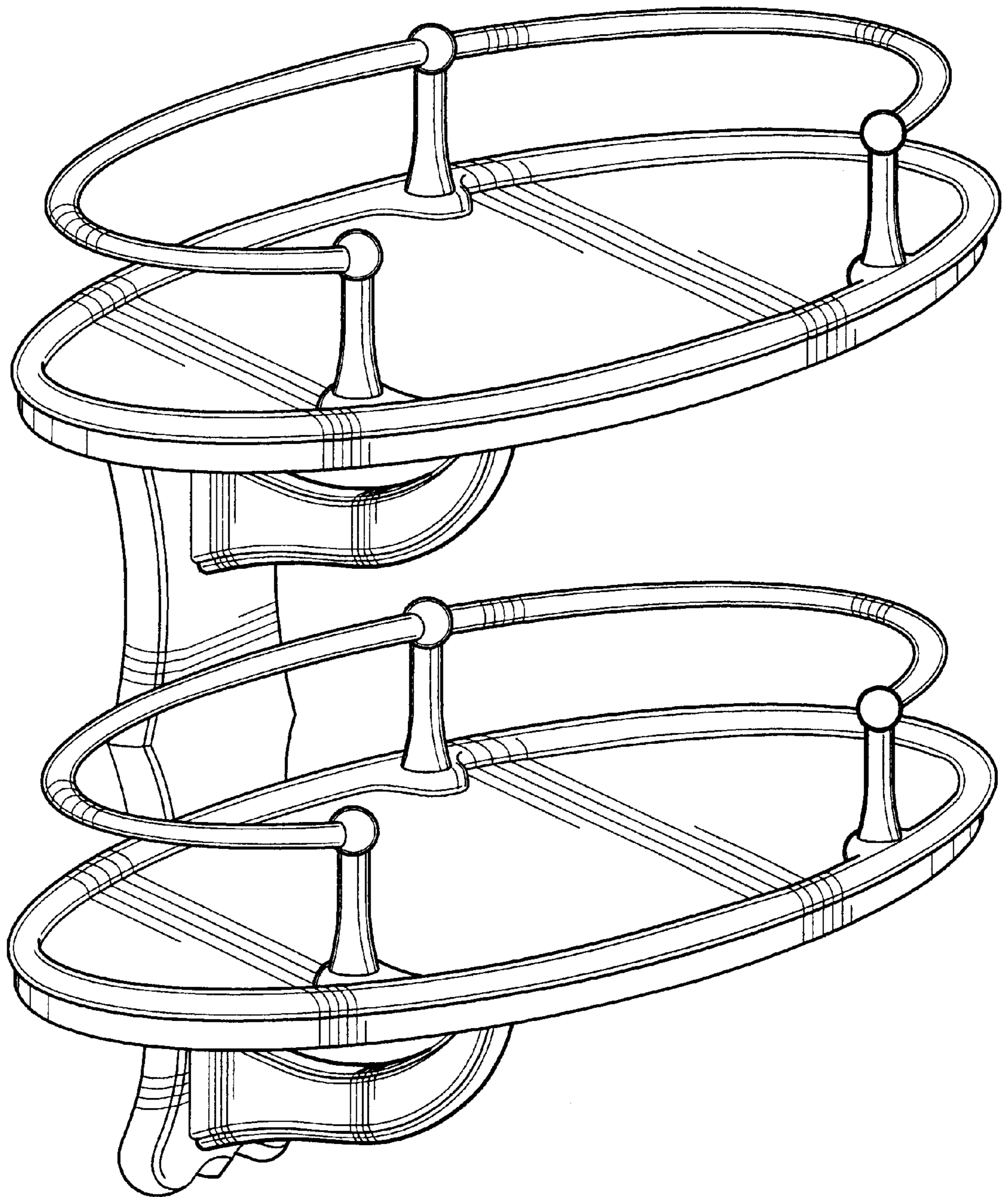


Fig-1

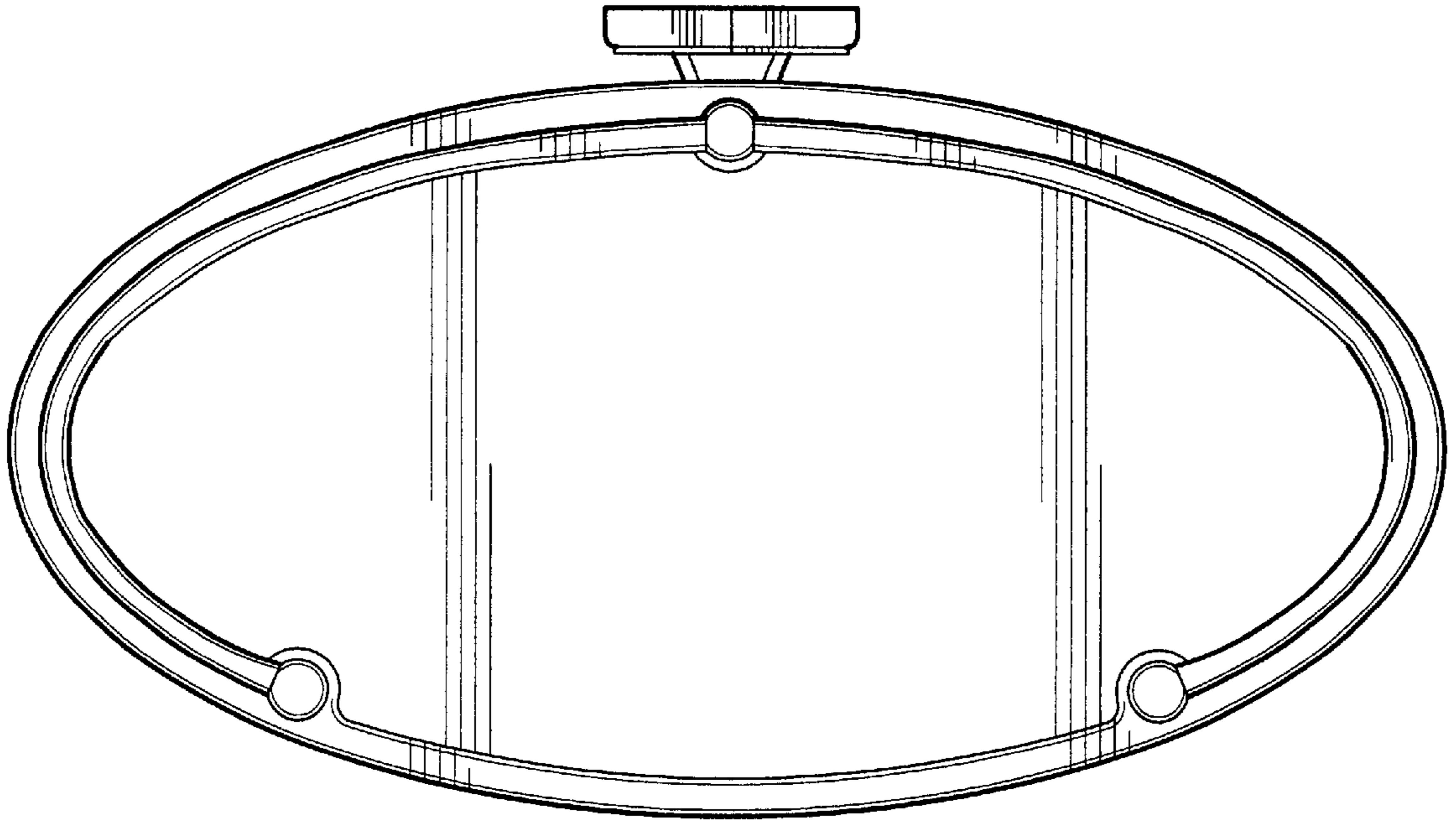


Fig-2

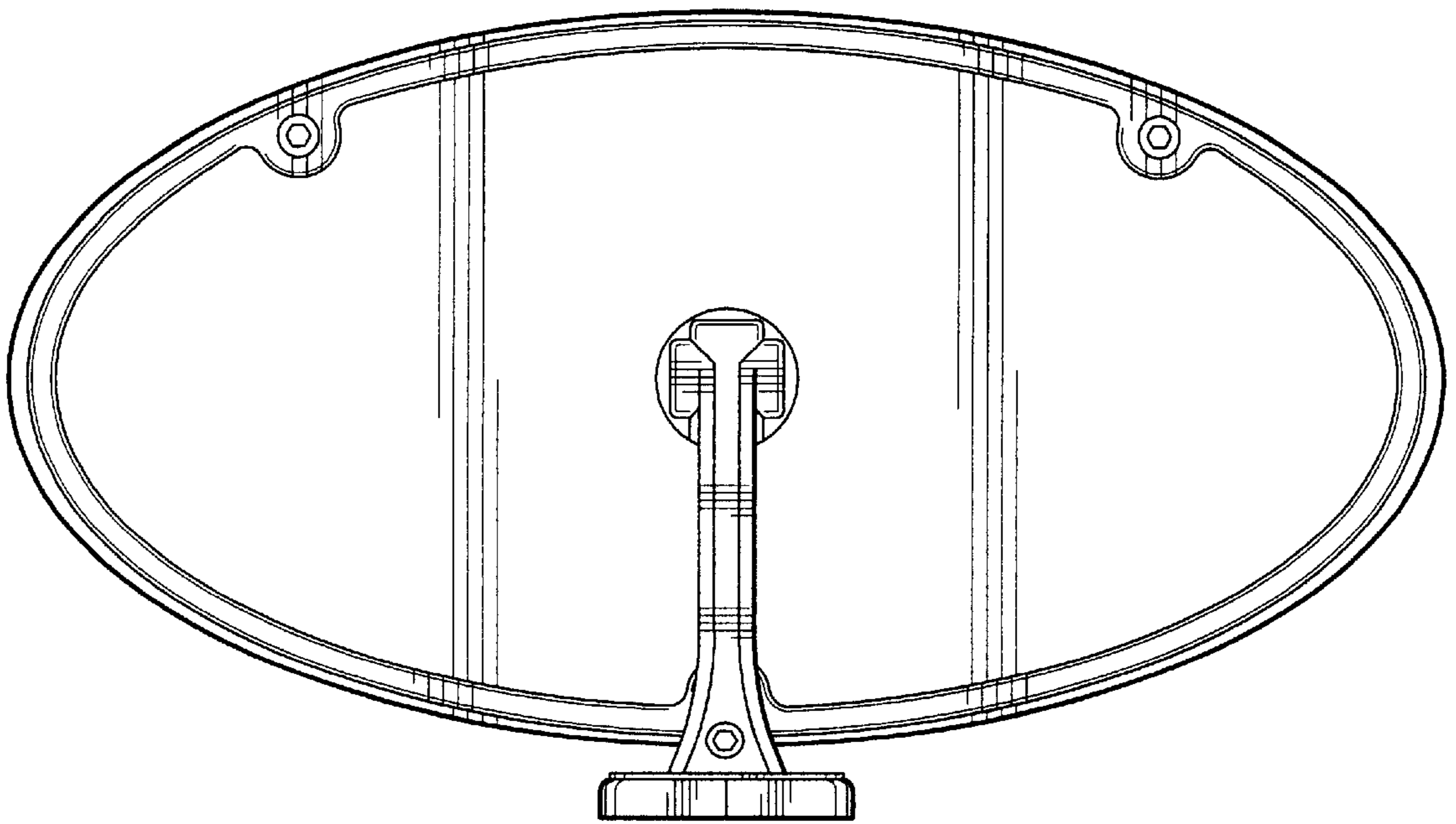


Fig-3

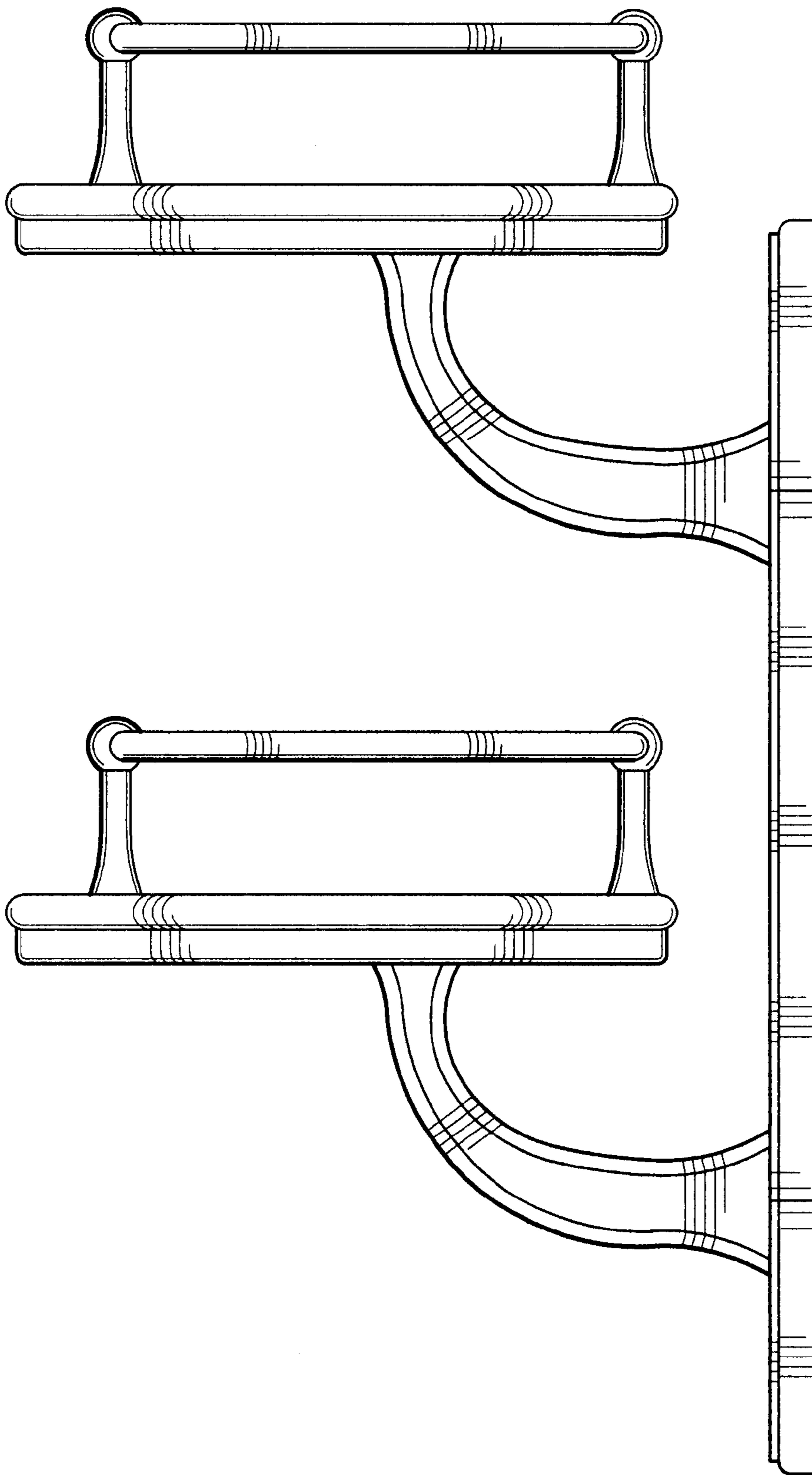


Fig-4

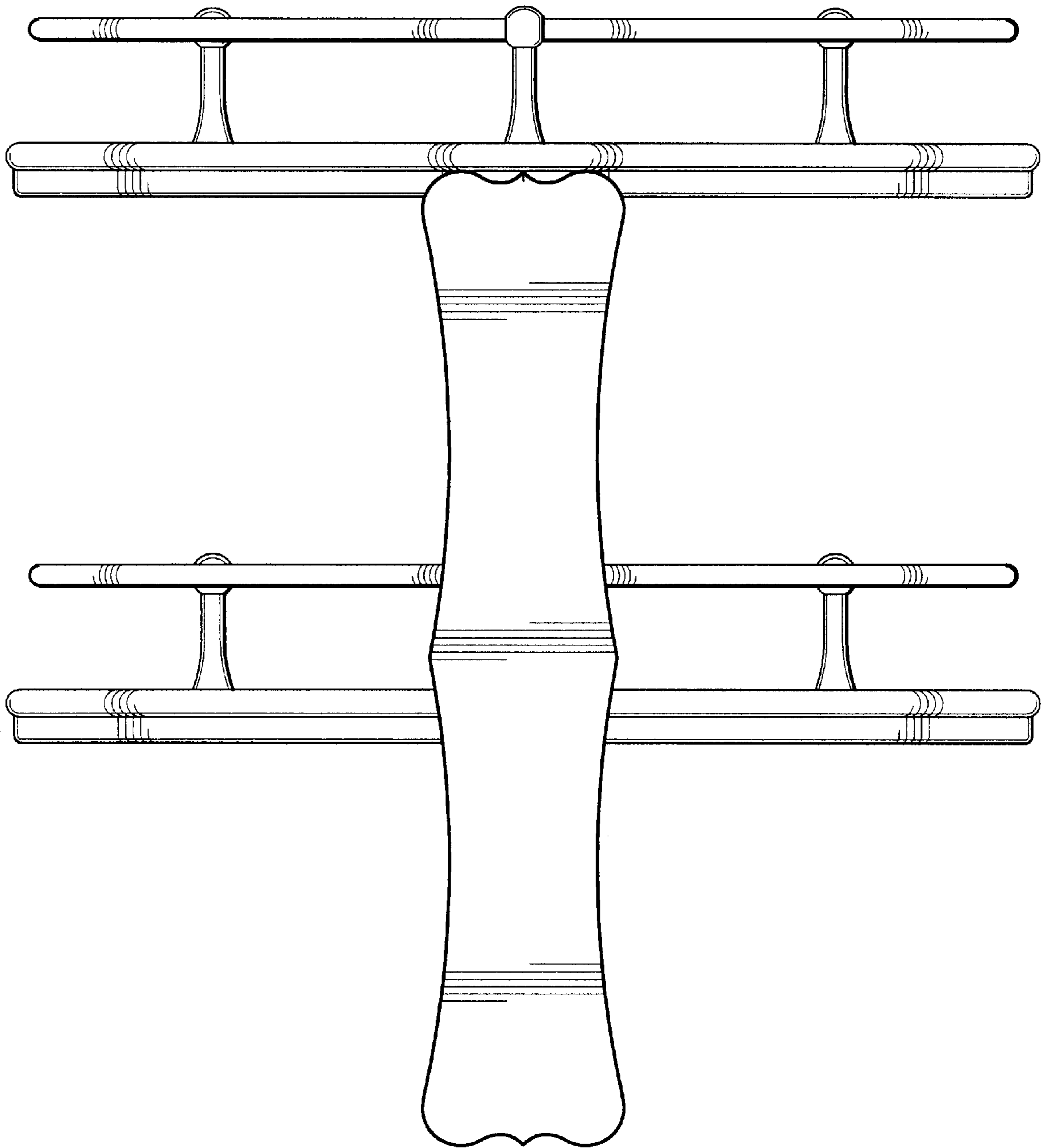


Fig-5

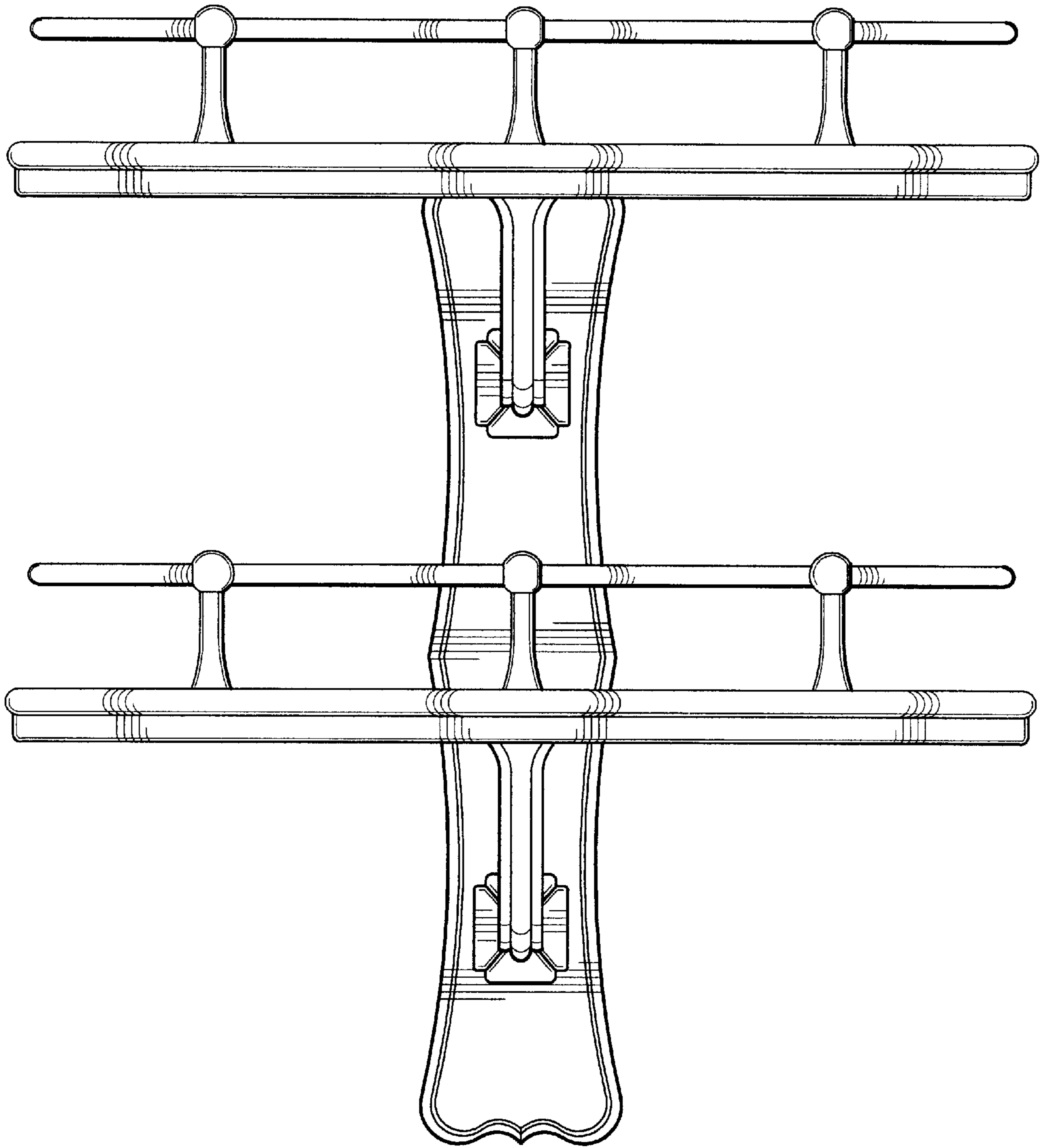


Fig-6