



US00D470702S

(12) **United States Design Patent**
Kelly

(10) **Patent No.:** **US D470,702 S**

(45) **Date of Patent:** **** Feb. 25, 2003**

(54) **GOLF BALL STACKING TRAY PORTION**

(76) Inventor: **Gregory J. Kelly**, 133 Lakeshore Dr.,
Duluth, GA (US) 30096

(**) Term: **14 Years**

(21) Appl. No.: **29/152,325**

(22) Filed: **Dec. 17, 2001**

(51) **LOC (7) Cl.** **08-08**

(52) **U.S. Cl.** **D6/552**

(58) **Field of Search** D6/552, 553, 567;
206/315.9; 211/13.1, 14, 86.01, 88.01, 126.1

(56) **References Cited**

U.S. PATENT DOCUMENTS

D212,853 S	*	12/1968	Campbell	D6/552
D304,888 S	*	12/1989	Korpijaako	D6/552
D386,925 S	*	12/1997	Hogan	D6/552
5,746,332 A	*	5/1998	Kleinschmidt	211/14 X
D422,439 S	*	4/2000	Chen	D6/552
D457,371 S	*	5/2002	Grassman	D6/552

* cited by examiner

Primary Examiner—Brian N. Vinson

(74) *Attorney, Agent, or Firm*—Gibbons, Del Deo, Dolan,
Griffinger & Vecchione

(57) **CLAIM**

The ornamental design for a golf ball stacking tray portion,
as shown and described.

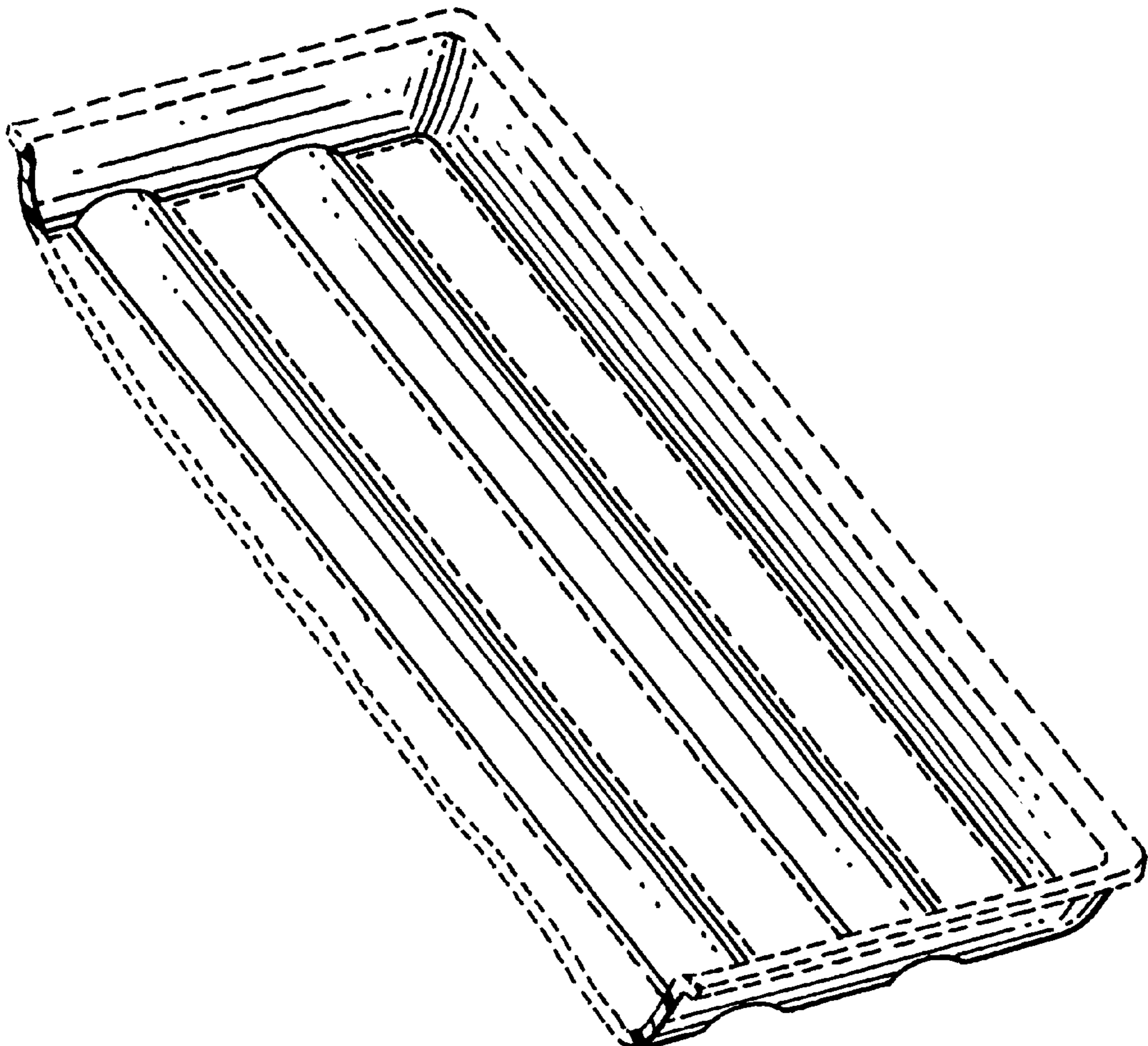
DESCRIPTION

FIG. 1 is a cutaway top, front and left side perspective view
of a golf ball stacking tray portion in accordance with my
invention, with a portion shown in dashed, phantom lines for
environmental purposes only that forms no part of my
design; and,

FIG. 2 is a cutaway bottom, front and left side perspective
view thereof, with a portion shown in dashed, phantom lines
for environmental purposes only that forms no part of my
design.

That which is depicted in solid lines in the drawing repre-
sents the claimed invention and that which is depicted in
broken lines forms no part of the claimed invention.

1 Claim, 1 Drawing Sheet



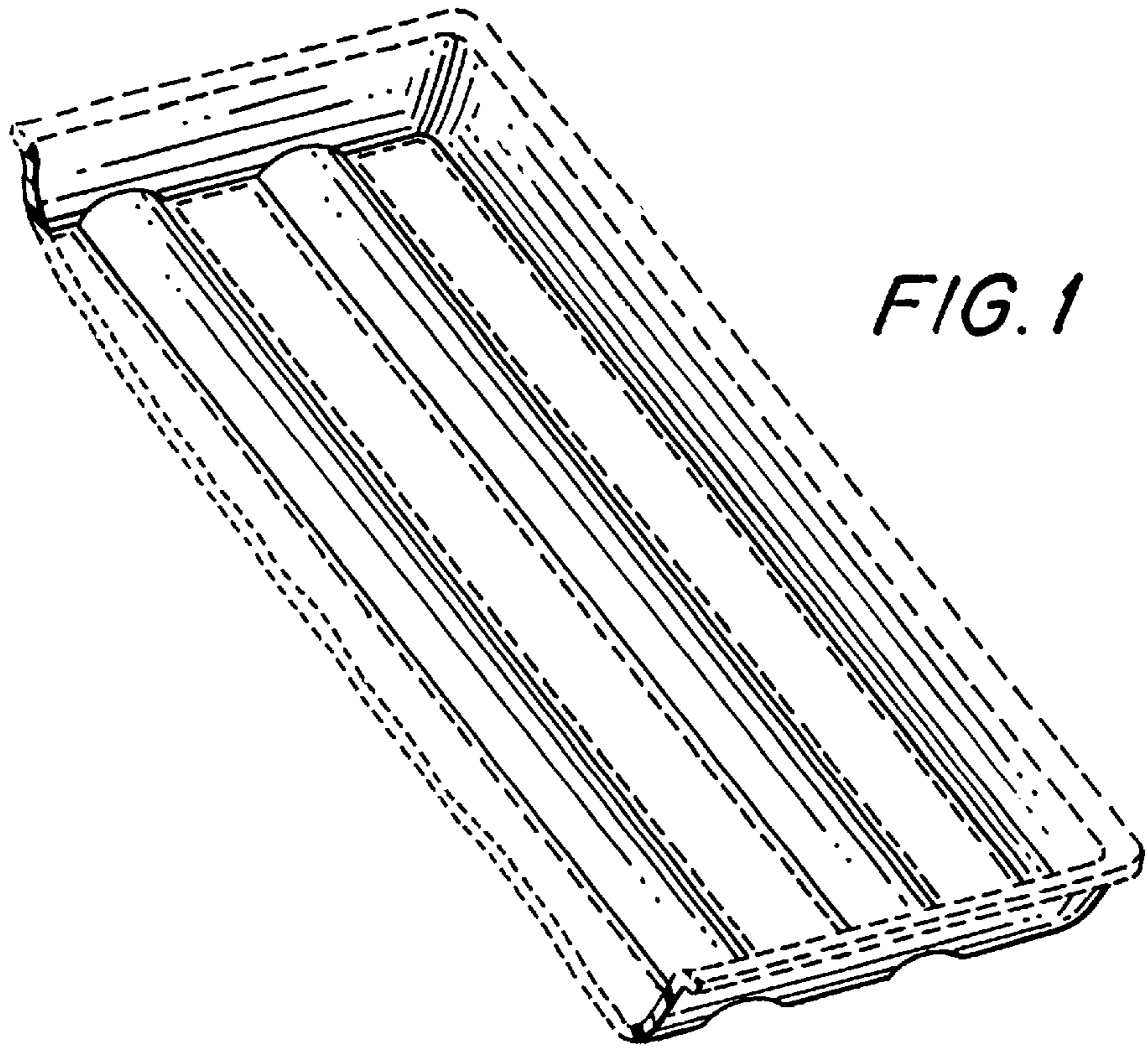


FIG. 1

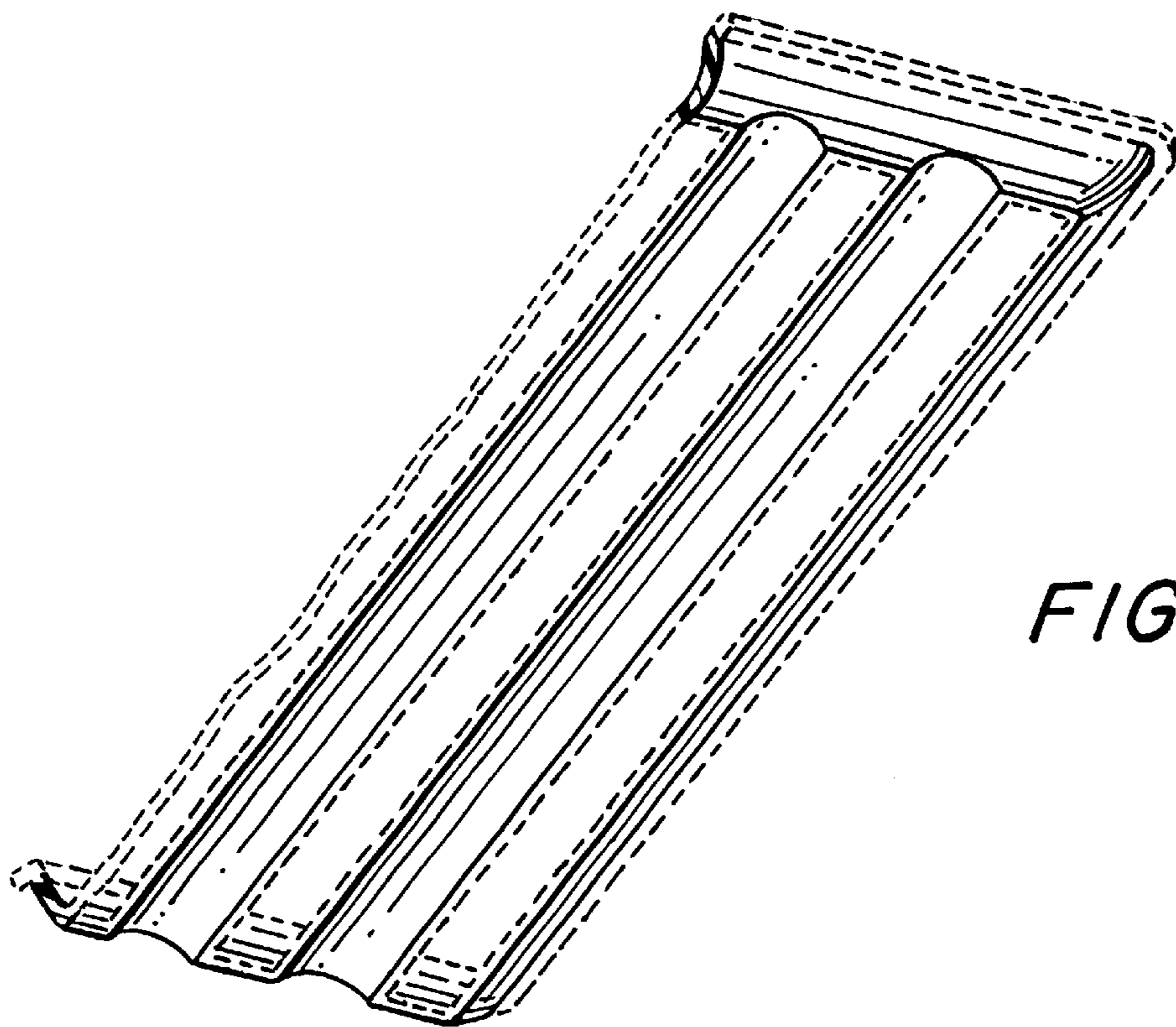


FIG. 2