



US00D470700S

(12) **United States Design Patent**
Lai

(10) **Patent No.:** **US D470,700 S**

(45) **Date of Patent:** **** Feb. 25, 2003**

(54) **EXTRUSION DEVICE FOR FLEXIBLE TUBELIKE CONTAINER**

D351,521 S * 10/1994 Knight, III D6/541
D437,160 S * 2/2001 Broussard D6/541

(76) Inventor: **Chen-Yuan Lai**, No. 17, Sec. 3,
Meichuan W. Rd., Bei Chiu, Taichung
(TW)

* cited by examiner

Primary Examiner—Brian N. Vinson
(74) *Attorney, Agent, or Firm*—Browdy and Neimark,
P.L.L.C.

(**) Term: **14 Years**

(57) **CLAIM**

(21) Appl. No.: **29/158,088**

The ornamental design for a “extrusion device for flexible tubelike container”, as shown.

(22) Filed: **Mar. 29, 2002**

(51) **LOC (7) Cl.** **06-02**

(52) **U.S. Cl.** **D6/541**

(58) **Field of Search** D6/541; 222/100,
222/101, 102, 103, 95–99

DESCRIPTION

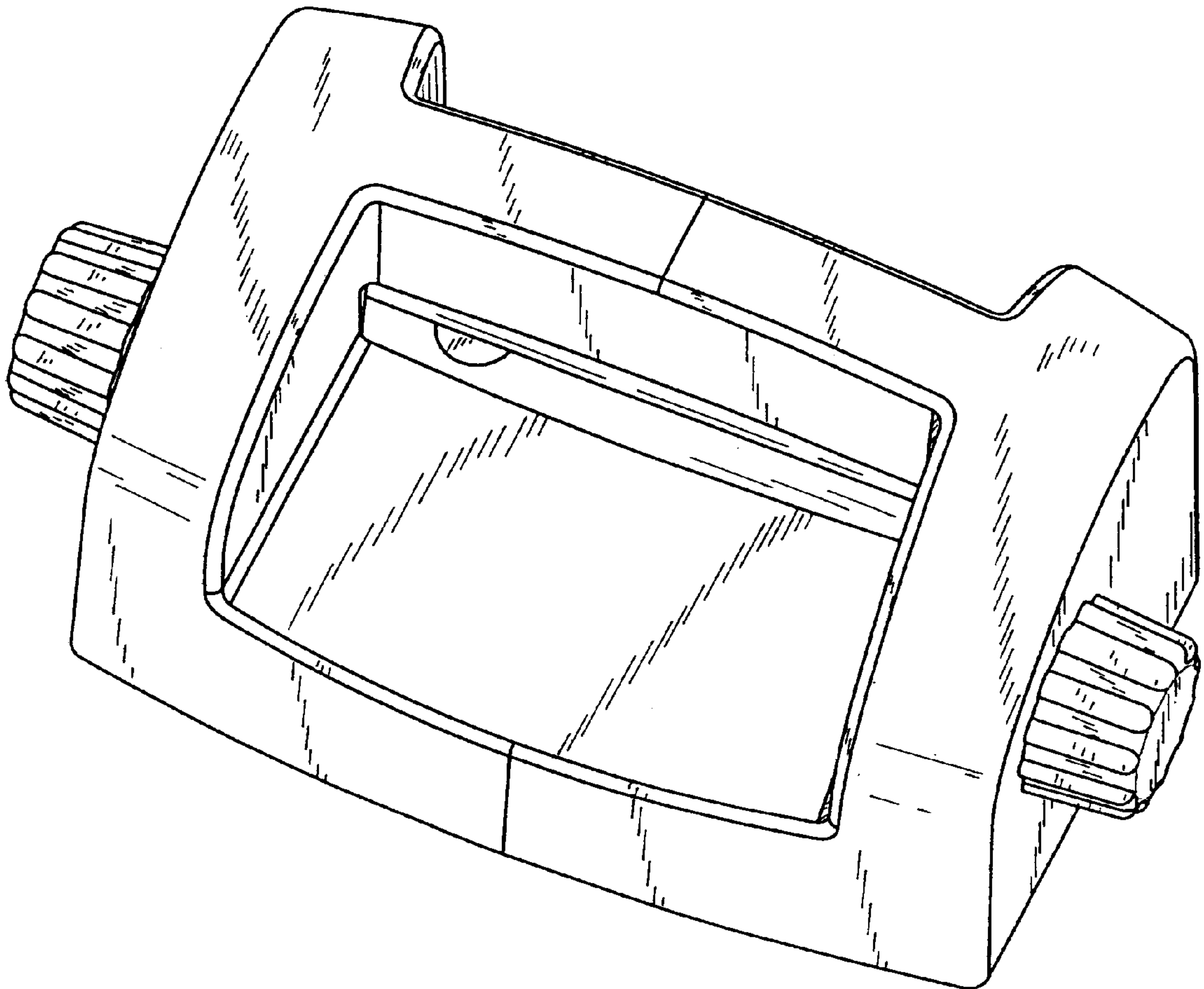
(56) **References Cited**

U.S. PATENT DOCUMENTS

D317,689 S * 6/1991 Curtis D6/541
5,035,347 A 7/1991 Trovò
D333,608 S * 3/1993 Yisrael et al. D6/541
5,330,077 A 7/1994 Swanson

FIG. 1 shows a perspective view of the present design.
FIG. 2 shows a right side elevational view of the present design.
FIG. 3 shows a top plan view of the present design.
FIG. 4 shows a front elevational view of the present design.
FIG. 5 shows a bottom plan view of the present design.
FIG. 6 shows a left side elevational view of the present design; and,
FIG. 7 shows a rear elevational view of the present design.

1 Claim, 4 Drawing Sheets



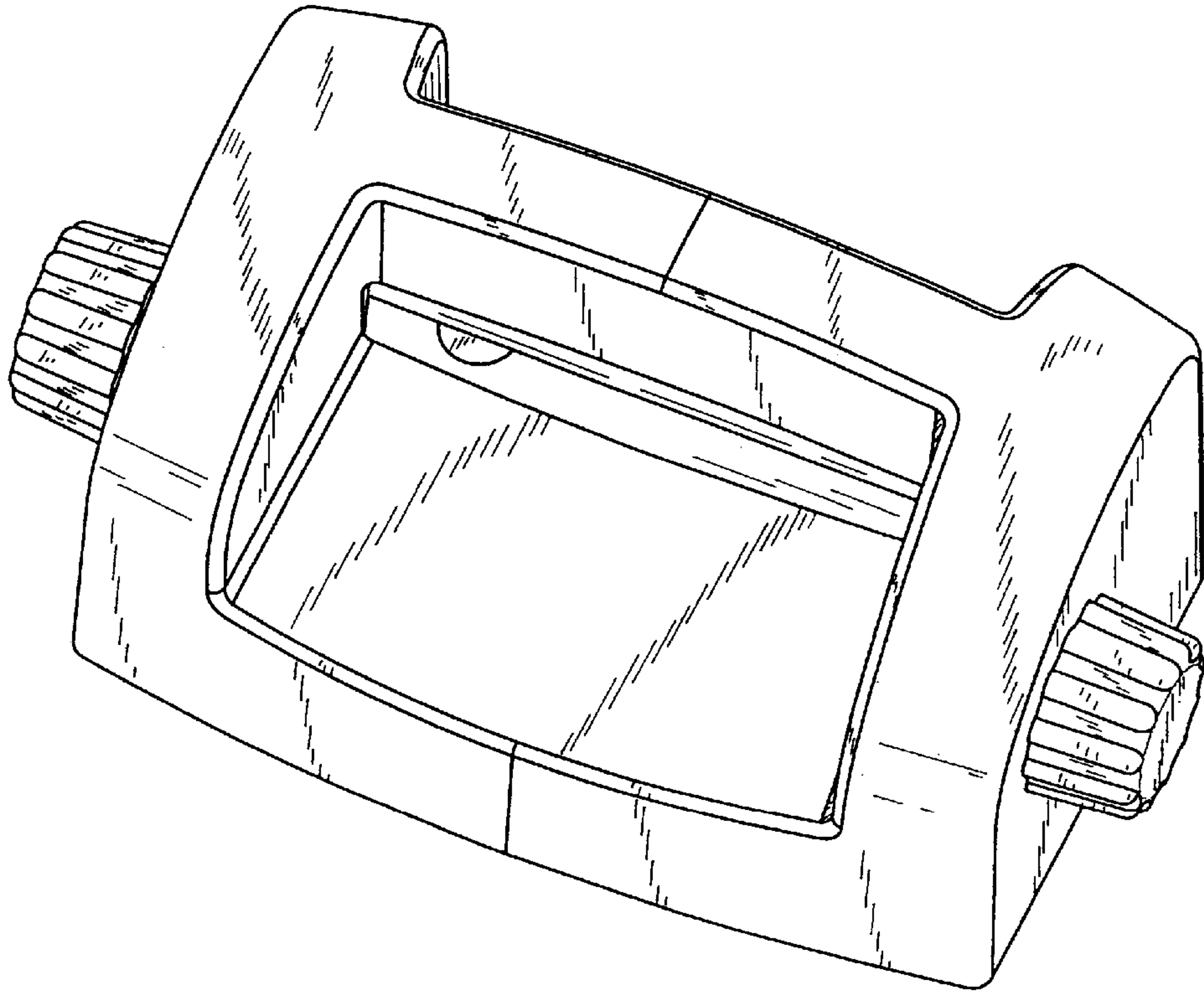


FIG. 1

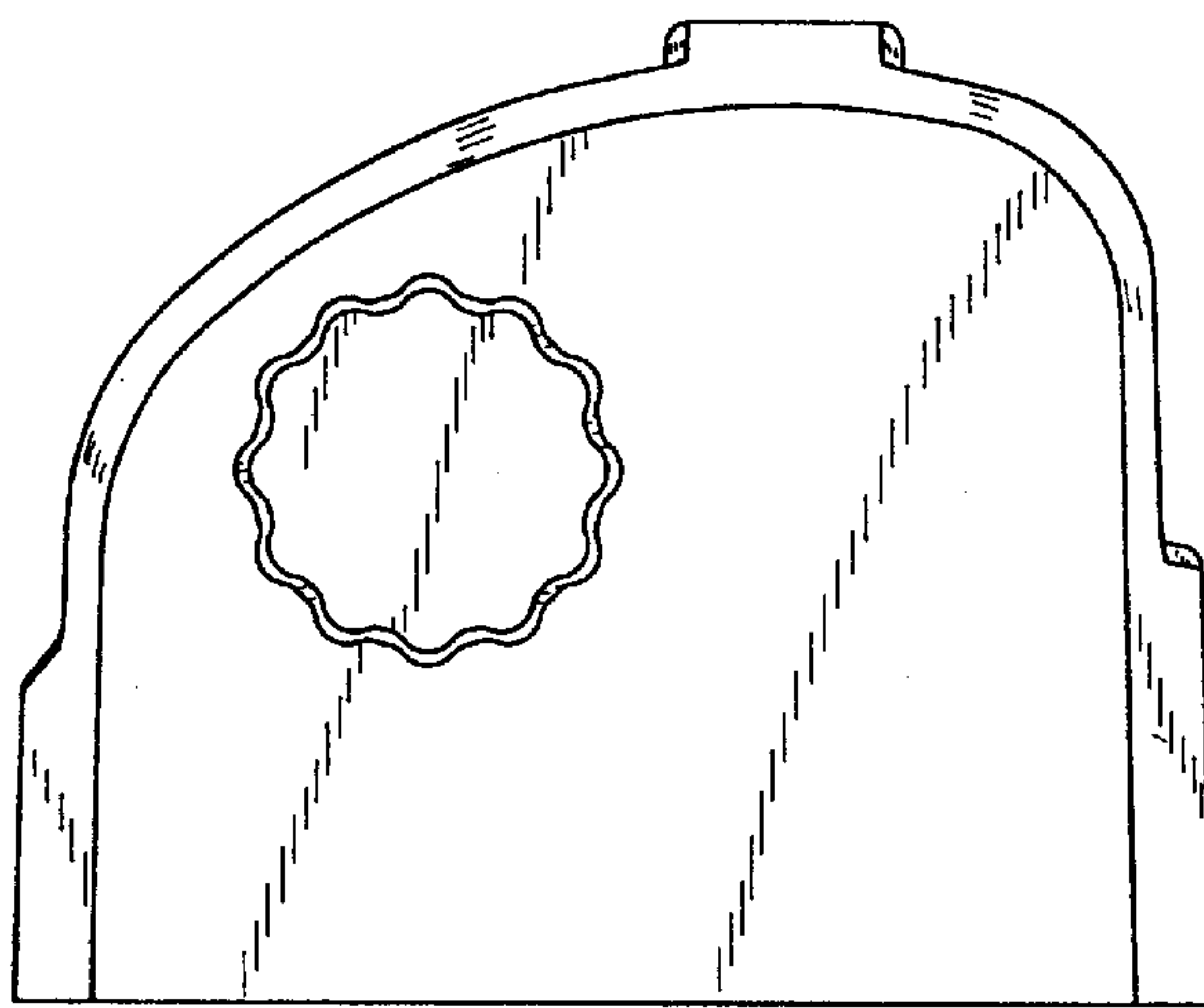


FIG. 2

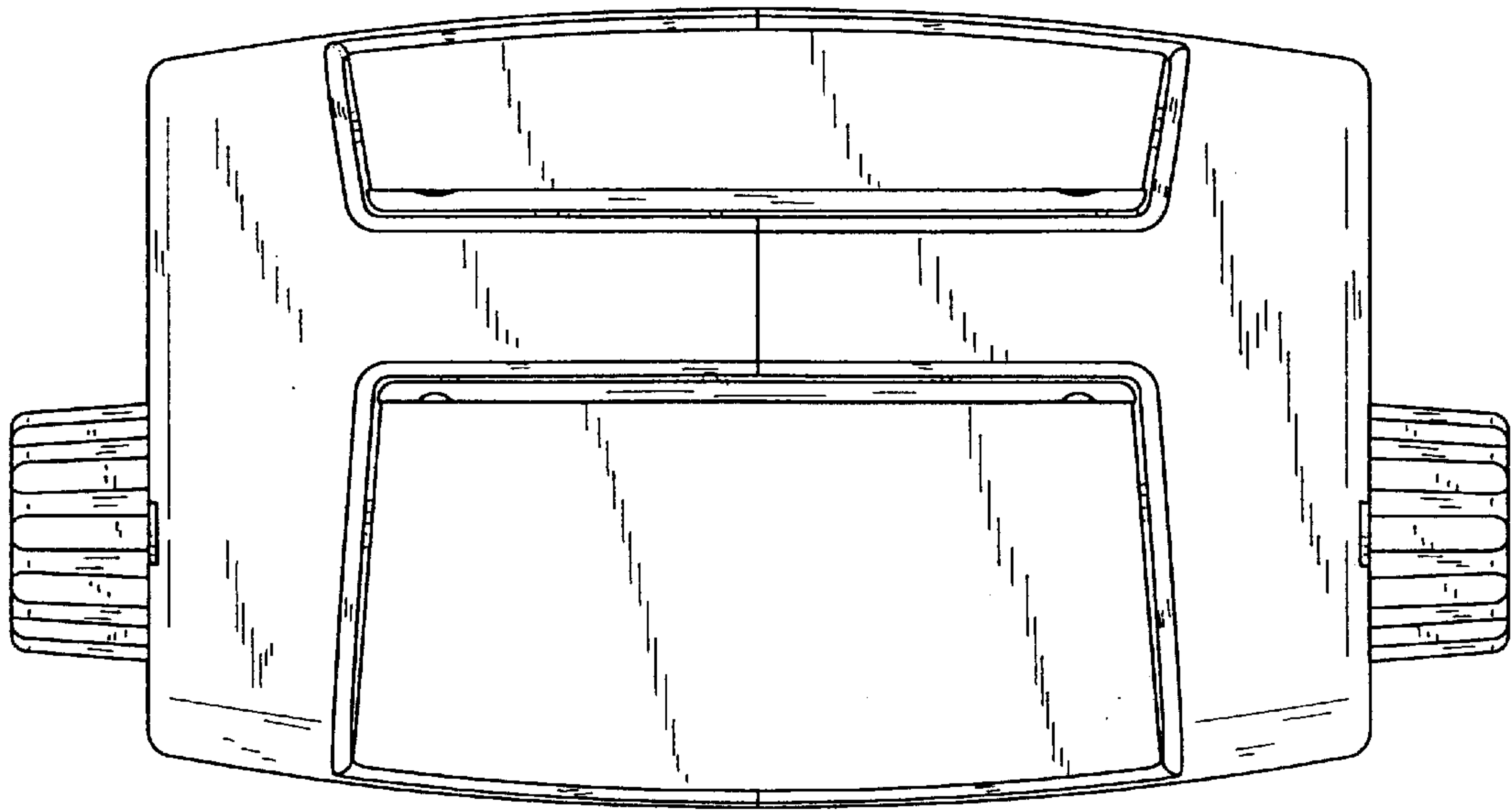


FIG. 3

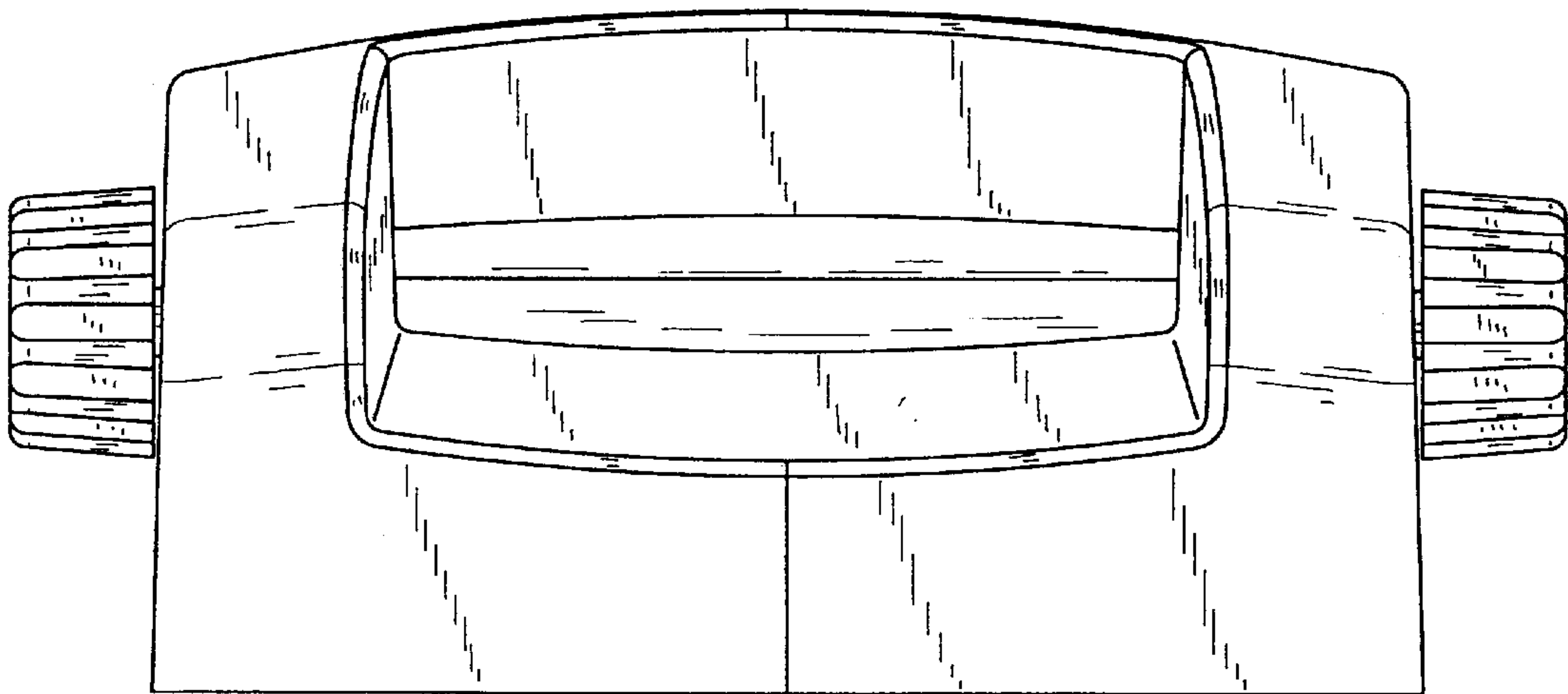


FIG. 4

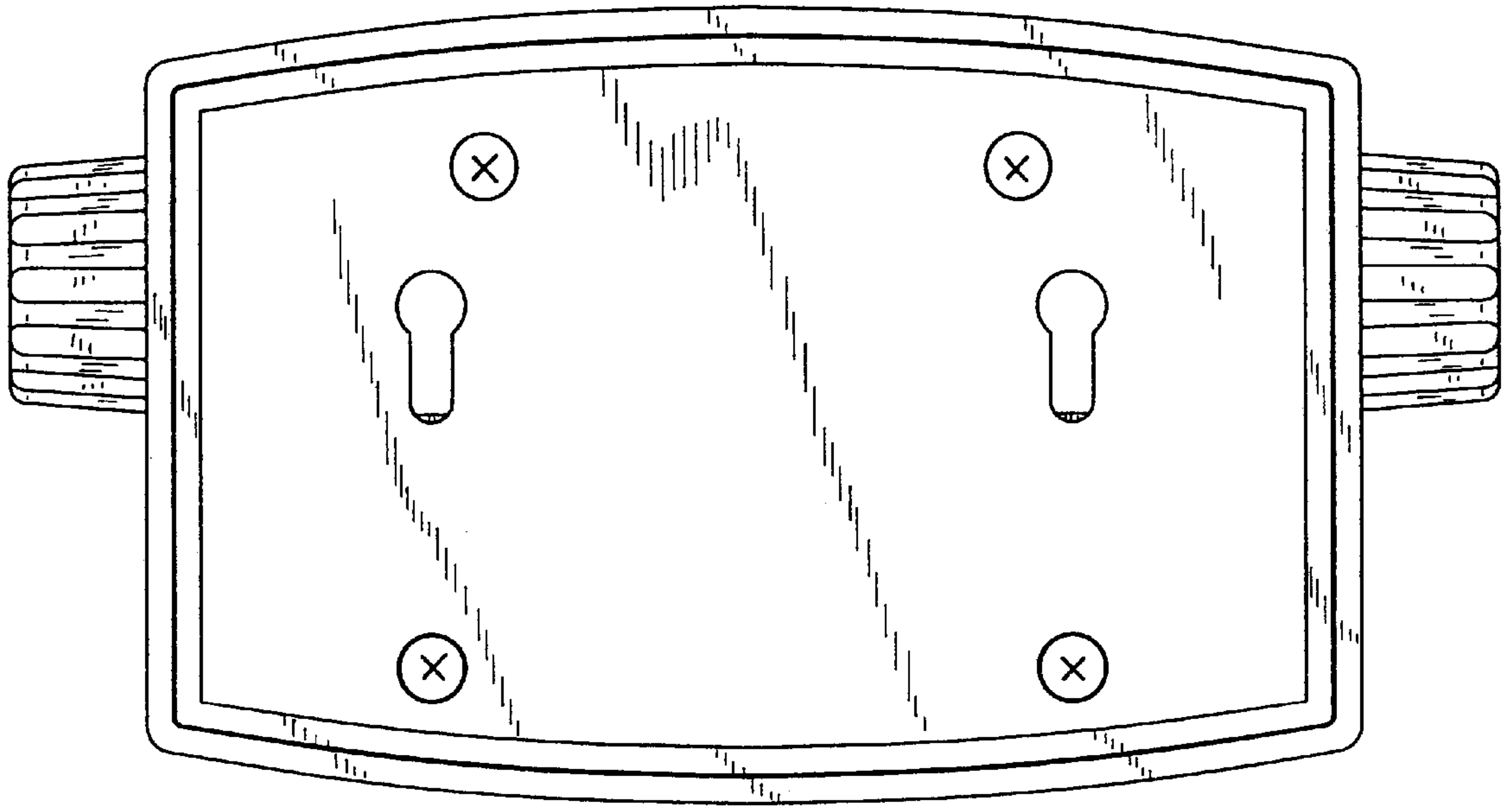


FIG. 5

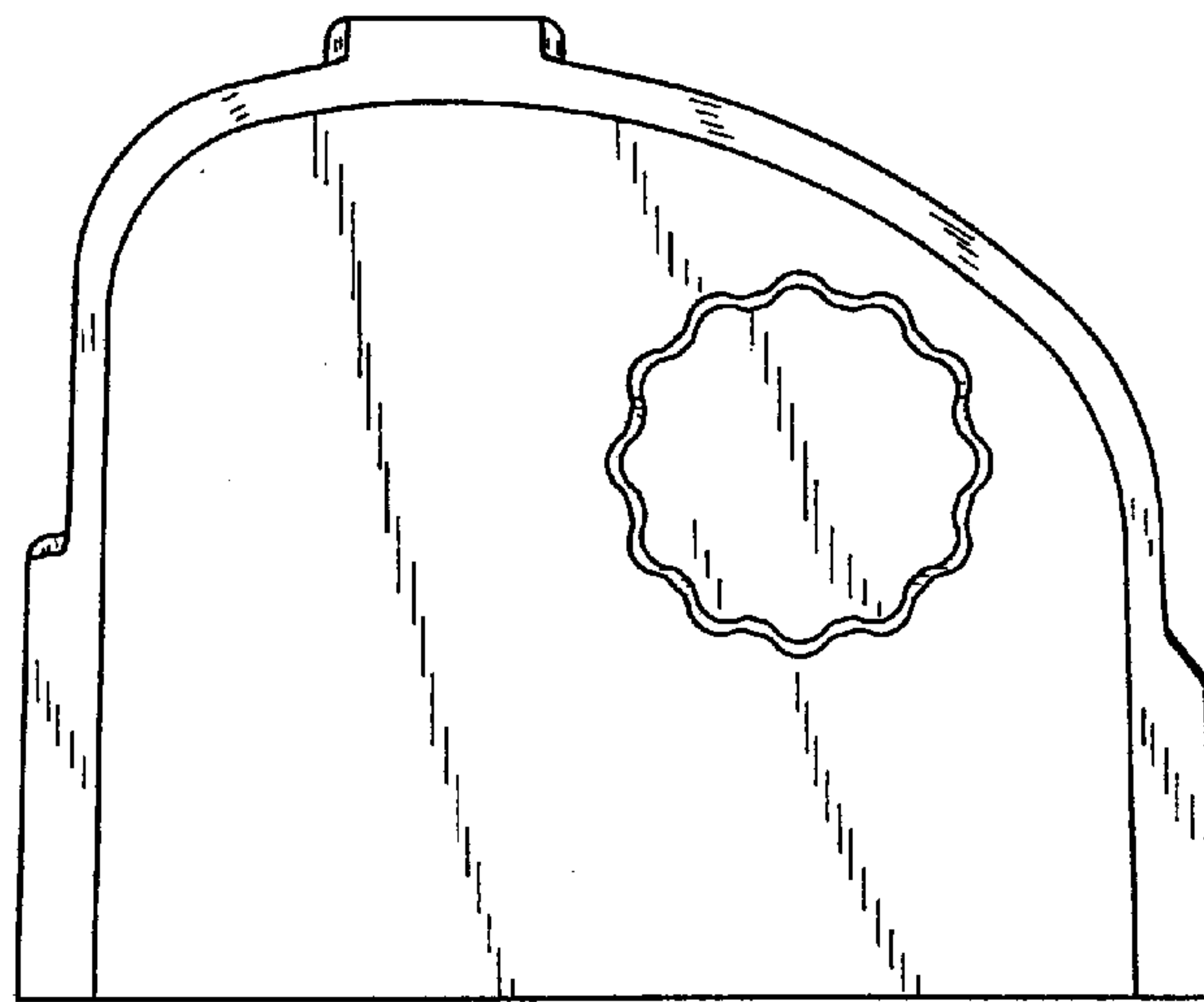


FIG. 6

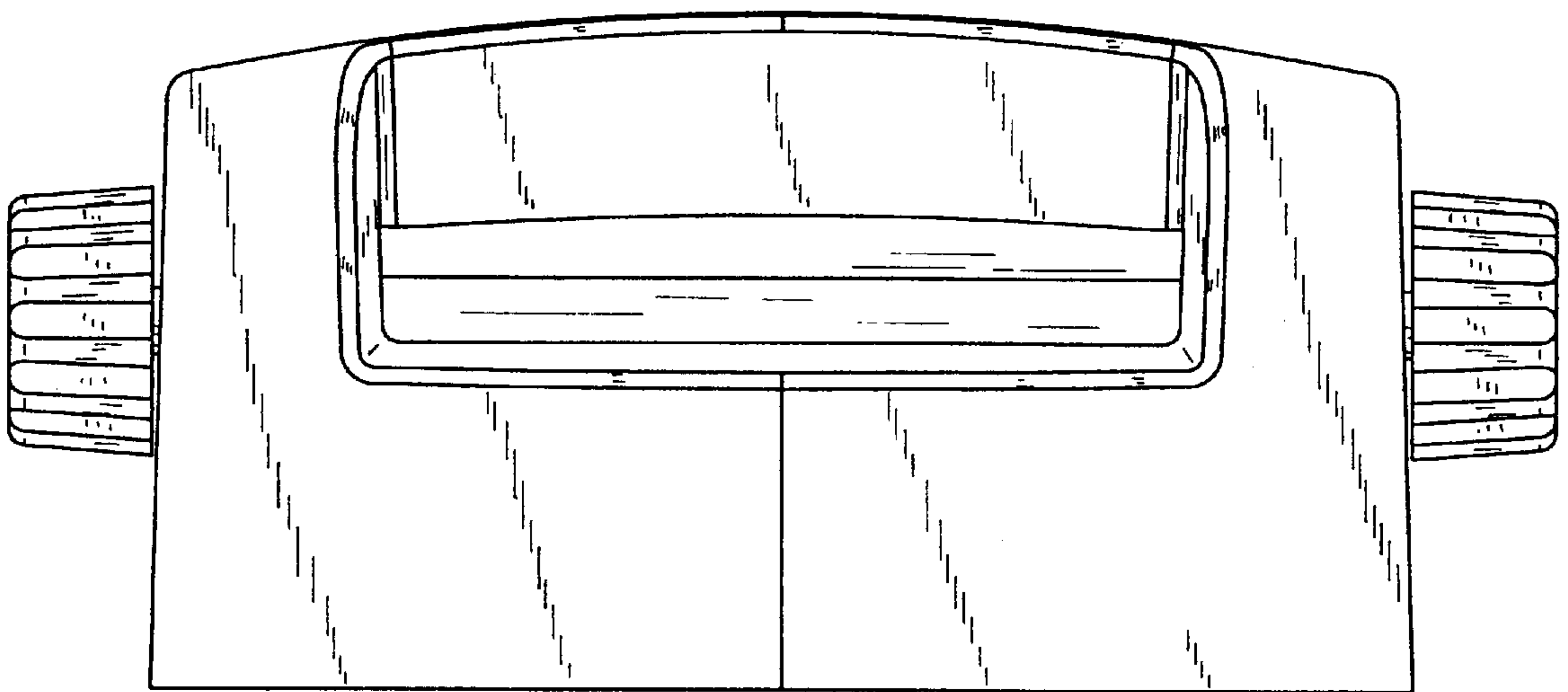


FIG. 7