



US00D470699S

(12) **United States Design Patent**  
**Cheng**

(10) **Patent No.:** **US D470,699 S**

(45) **Date of Patent:** **\*\* Feb. 25, 2003**

(54) **TOILET SUSPENDING FRAME WITH MIRROR**

D446,670 S \* 8/2001 Emery et al. .... D6/525  
D447,900 S \* 9/2001 Wright ..... D6/525  
D461,668 S \* 8/2002 Zadro ..... D6/525

(76) Inventor: **Yuan-Yen Cheng**, 235 Chung-Ho Box 8-24, Taipei (TW)

\* cited by examiner

(\*\*) Term: **14 Years**

*Primary Examiner*—Brian N. Vinson

(21) Appl. No.: **29/164,256**

(57) **CLAIM**

(22) Filed: **Jul. 22, 2002**

The ornamental design for a toilet suspending frame with mirror, as shown and described.

(51) **LOC (7) Cl.** ..... **23-02**

**DESCRIPTION**

(52) **U.S. Cl.** ..... **D6/525**

(58) **Field of Search** ..... D6/524, 525, 566;  
108/14; 211/13.1, 71, 74, 75, 86.01, 87.01,  
88.01, 90.01, 90.03, 181.1

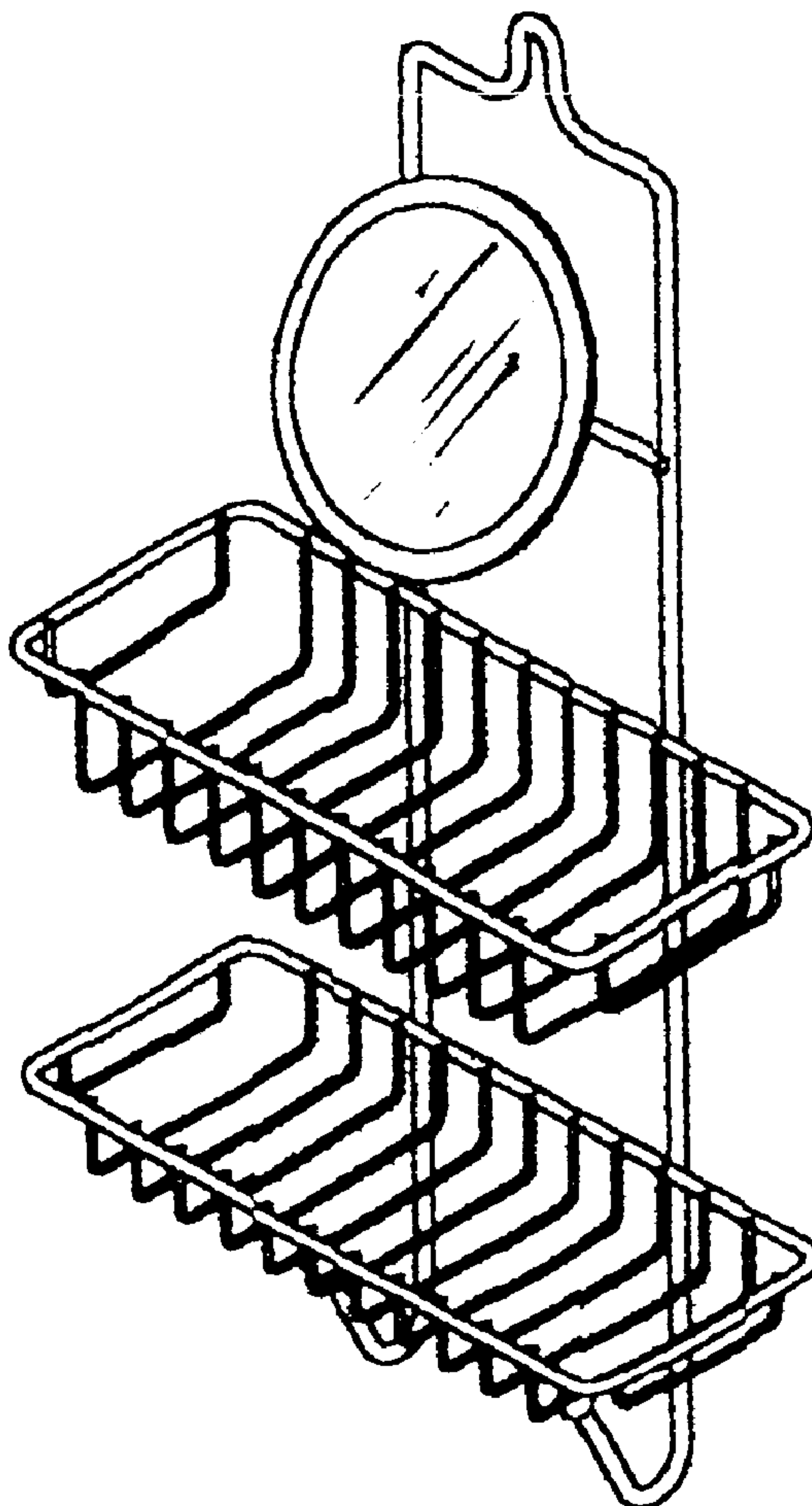
FIG. 1 is a front elevational view of a toilet suspending frame with mirror showing my new design;  
FIG. 2 is a rear elevational view thereof;  
FIG. 3 is a left side view thereof;  
FIG. 4 is a right side view thereof;  
FIG. 5 is a top plan view thereof;  
FIG. 6 is a bottom plan view thereof; and  
FIG. 7 is a perspective view thereof; and,  
FIG. 8 shows another embodiment of the present invention, where the mirror has a greater mirror surface.

(56) **References Cited**

**U.S. PATENT DOCUMENTS**

3,789,996 A \* 2/1974 Stroh ..... 211/181.1 X  
D351,750 S \* 10/1994 Sweeney ..... D6/525  
D367,790 S \* 3/1996 Munoz et al. .... D6/525  
D378,556 S \* 3/1997 Munoz ..... D6/525  
D415,916 S \* 11/1999 Hofman et al. .... D6/525

**1 Claim, 4 Drawing Sheets**



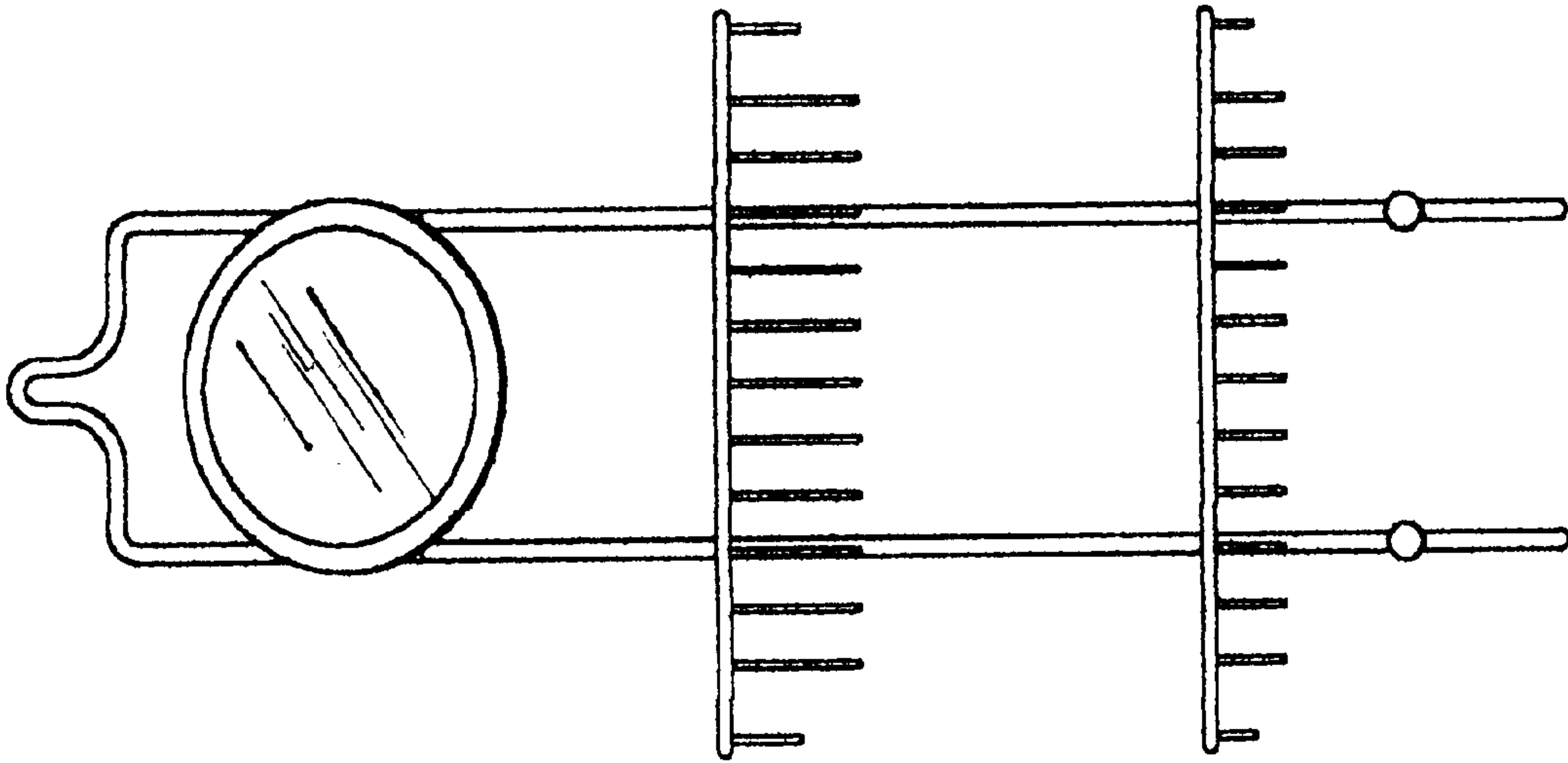


FIG. 1

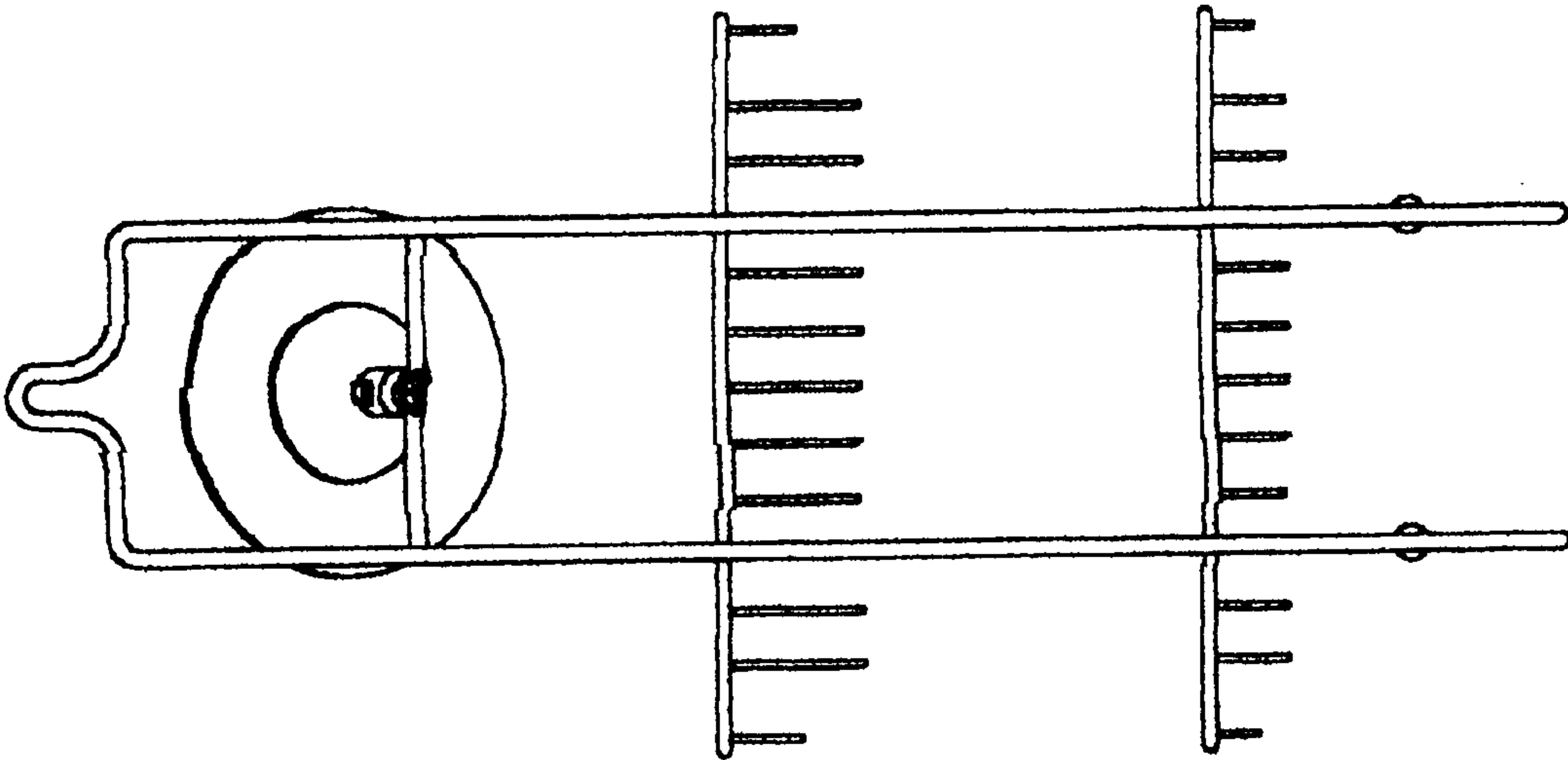


FIG. 2

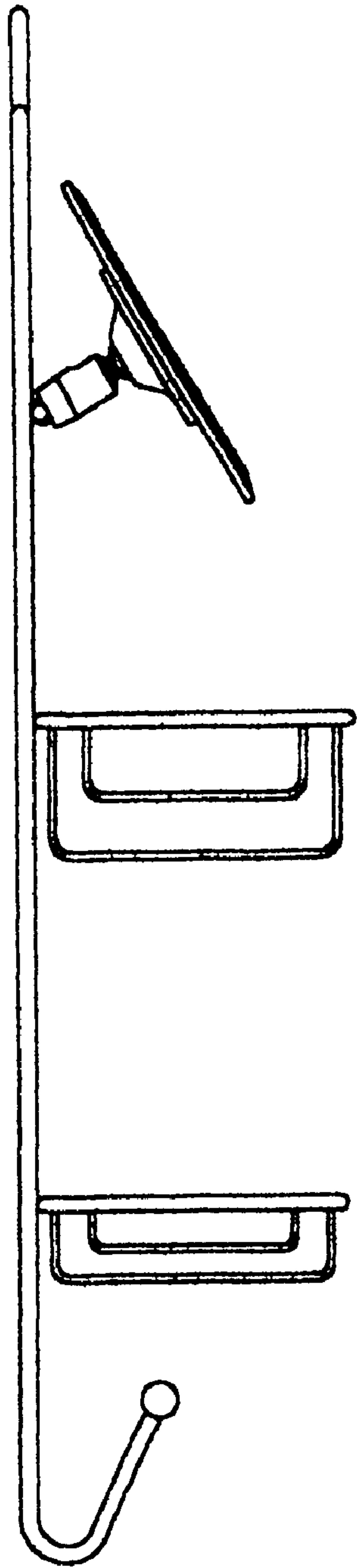


FIG. 3

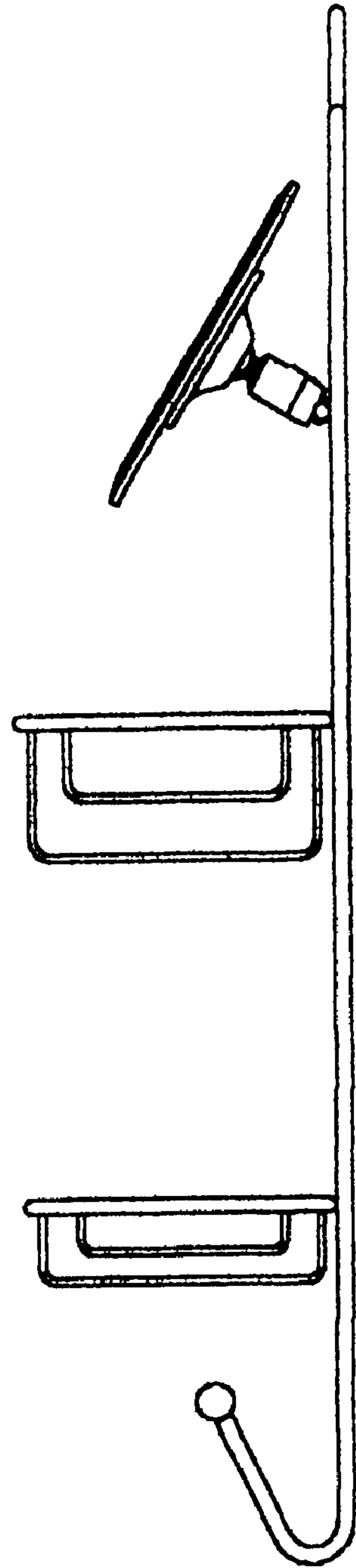


FIG. 4

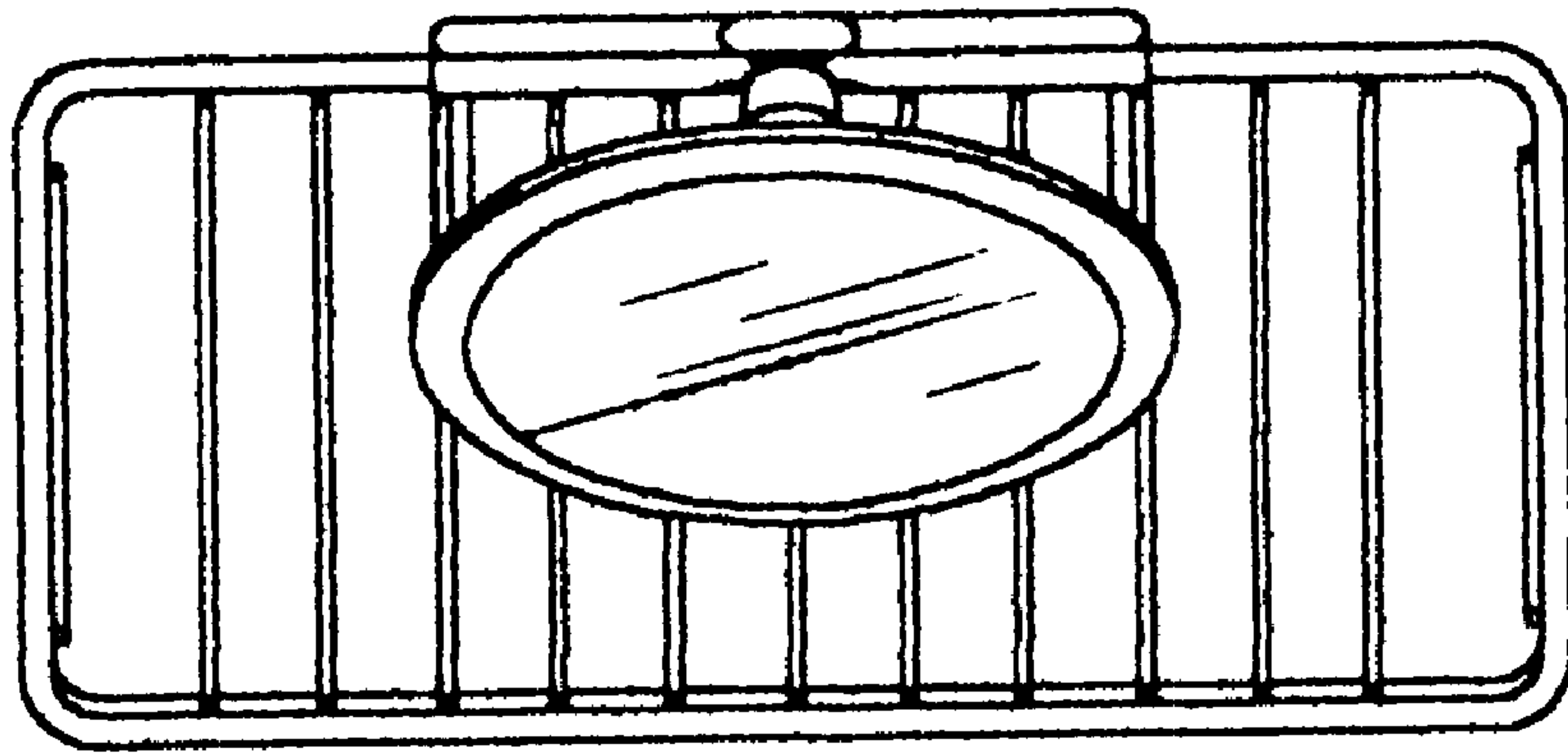


FIG. 5

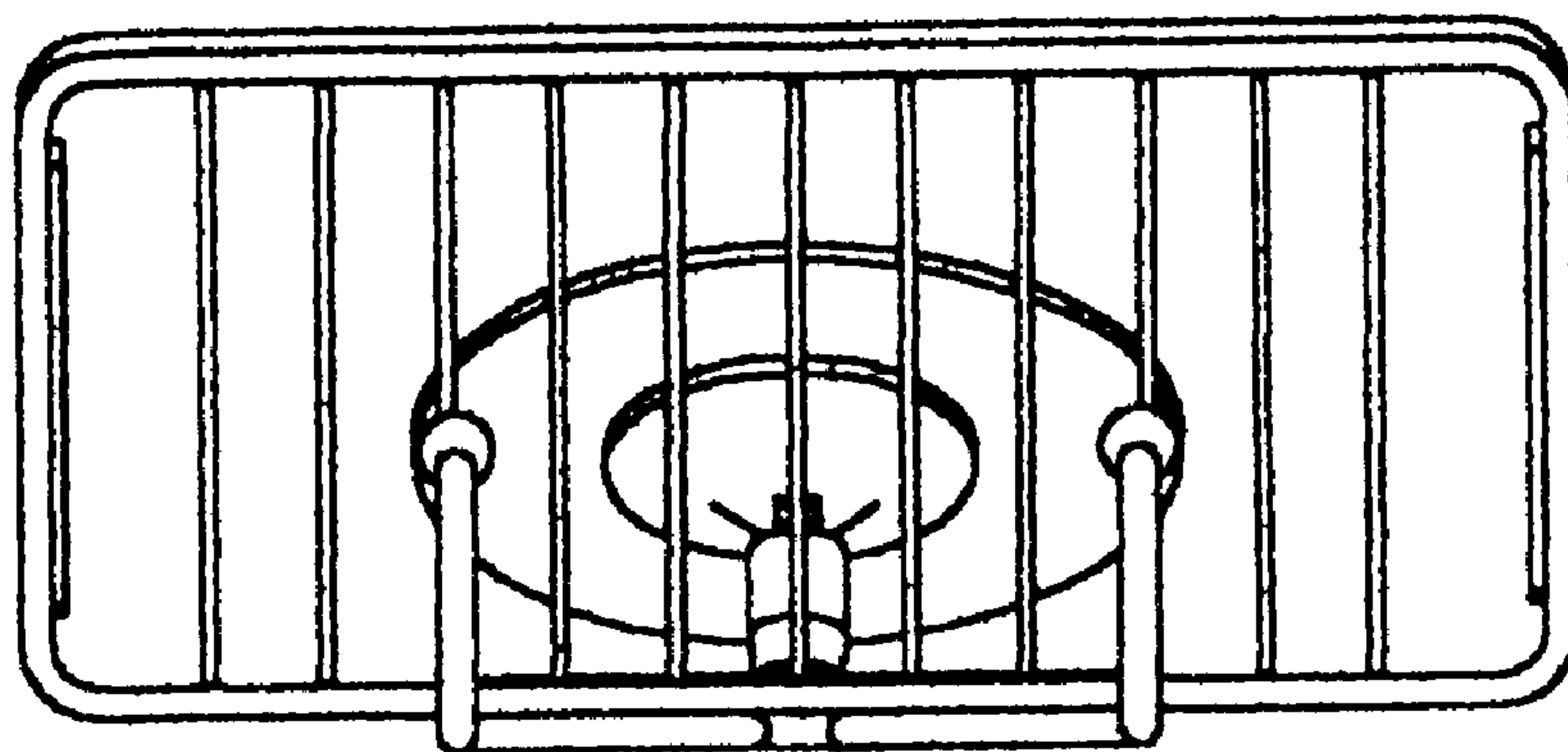


FIG. 6

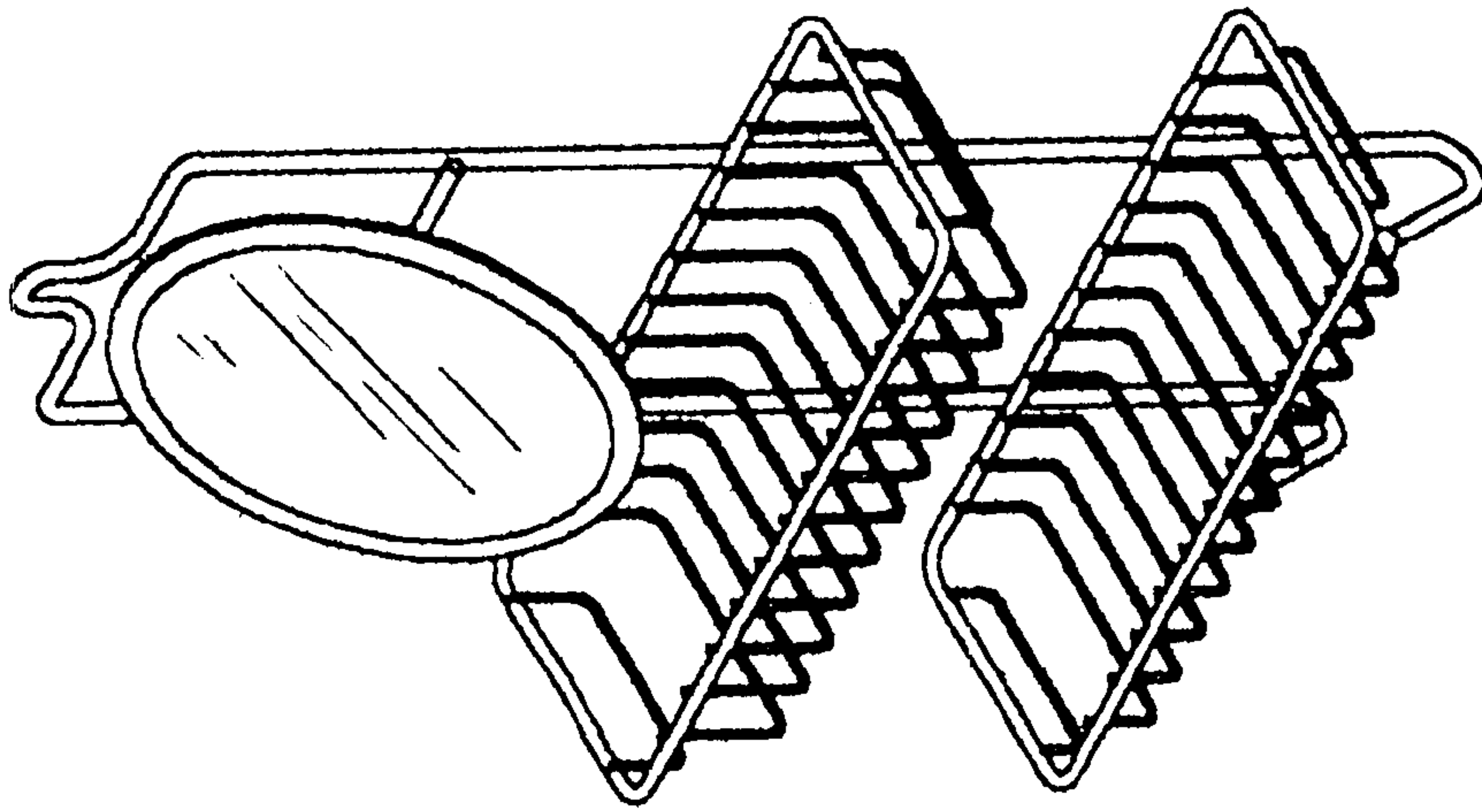


FIG. 8

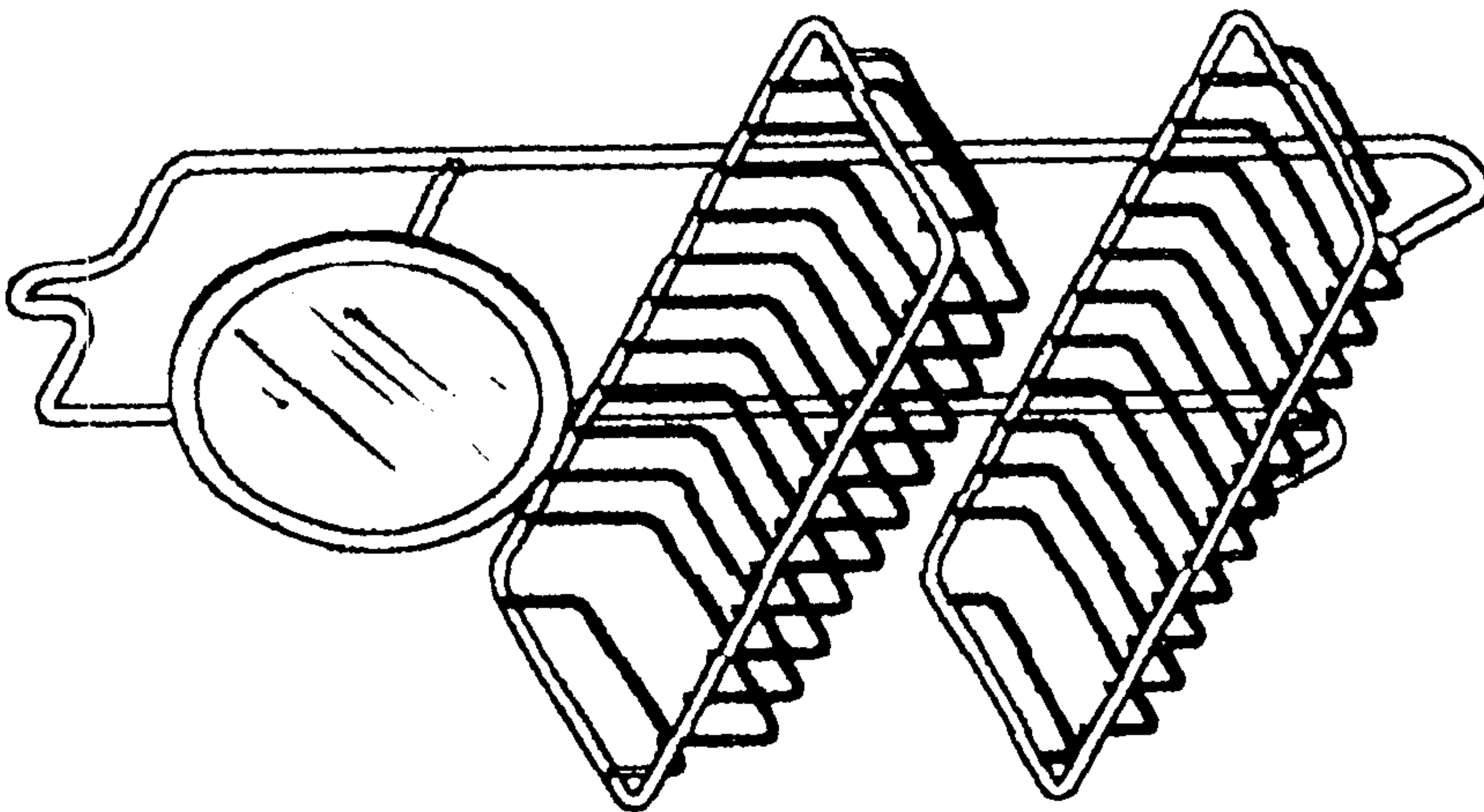


FIG. 7