



US00D470694S

(12) **United States Design Patent**
Strong et al.

(10) **Patent No.:** **US D470,694 S**

(45) **Date of Patent:** **** Feb. 25, 2003**

(54) **PAIR OF TABLE LEGS**

D239,679 S * 4/1976 Szucs D6/422
5,636,578 A * 6/1997 Rizzi 108/129

(75) Inventors: **Lynn Curtis Strong**, Clearfield, UT
(US); **Khamphay Thongrit**, Clinton,
UT (US)

* cited by examiner

(73) Assignee: **Lifetime Products, Inc.**, Clearfield, UT
(US)

Primary Examiner—Janice E. Seeger

(74) *Attorney, Agent, or Firm*—Workman, Nydegger &
Seeley

(**) Term: **14 Years**

(57) **CLAIM**

(21) Appl. No.: **29/168,077**

The ornamental design for a pair of table legs, as shown and
described.

(22) Filed: **Sep. 25, 2002**

DESCRIPTION

Related U.S. Application Data

(62) Division of application No. 29/154,791, filed on Jan. 28,
2002.

FIG. 1 is a perspective view of a pair of table legs in
accordance with a preferred embodiment of the present
invention;

(51) **LOC (7) Cl.** **06-06**

(52) **U.S. Cl.** **D6/499**; D6/495

FIG. 2 is a front view of the pair of table legs shown in FIG.
1;

(58) **Field of Search** D6/480–489, 495–499,
D6/422, 429; 108/153.1, 155, 156, 157.1,
161, 115, 129, 132; 248/188, 188.1, 188.7,
188.8

FIG. 3 is a right side view of the pair of table legs shown in
FIG. 1, with the left side view being a mirror image thereof;
FIG. 4 is a back view of the pair of table legs shown in FIG.
1;

(56) **References Cited**

U.S. PATENT DOCUMENTS

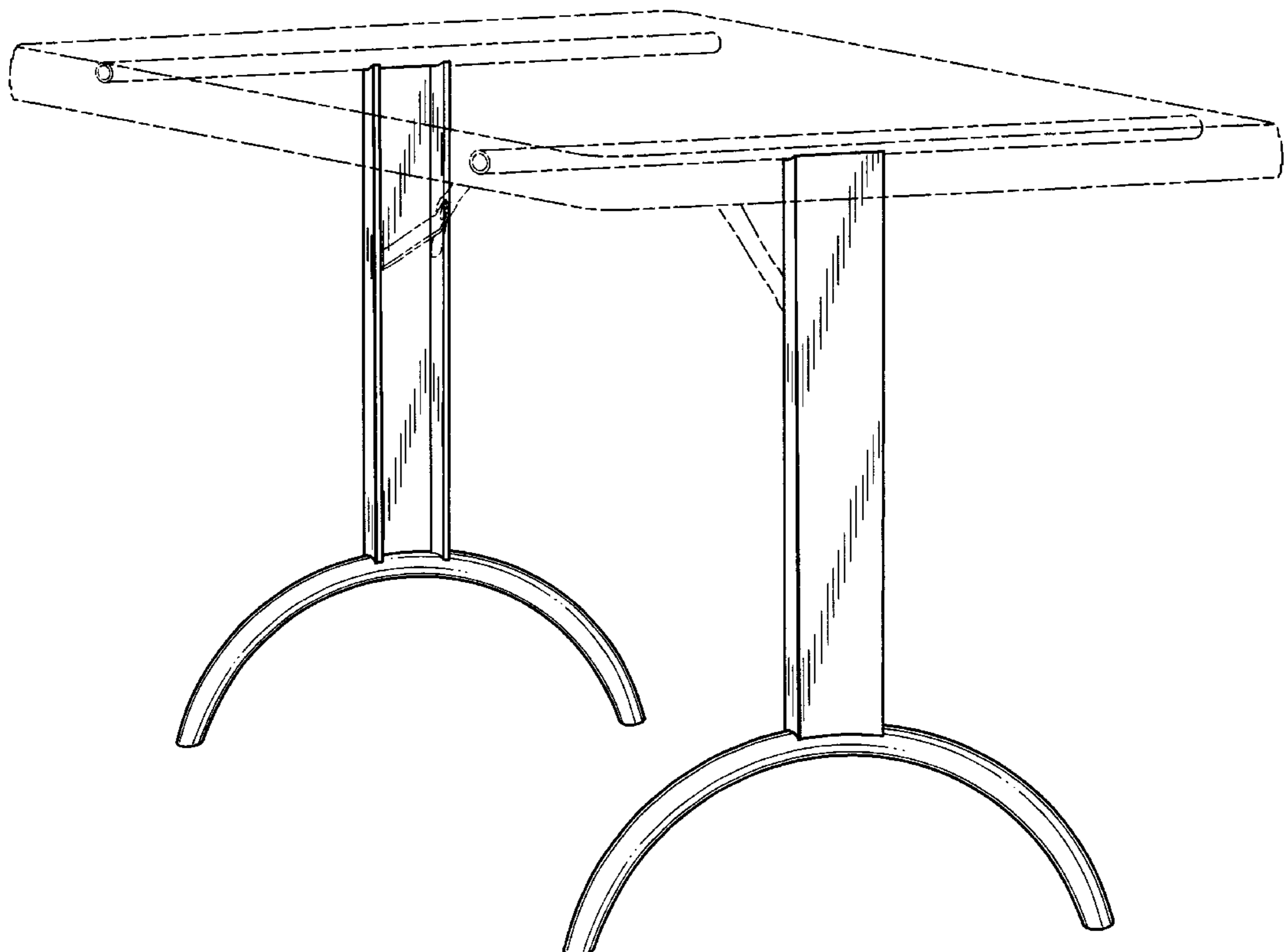
D115,103 S * 6/1939 Erickson D6/429
D157,649 S * 3/1950 White D6/487

FIG. 5 is a top view of the pair of table legs shown in FIG.
1; and,

FIG. 6 is a bottom view of the pair of table legs shown in
FIG. 1.

The broken lines are for environmental purposes only and
form no part of the claimed design.

1 Claim, 2 Drawing Sheets



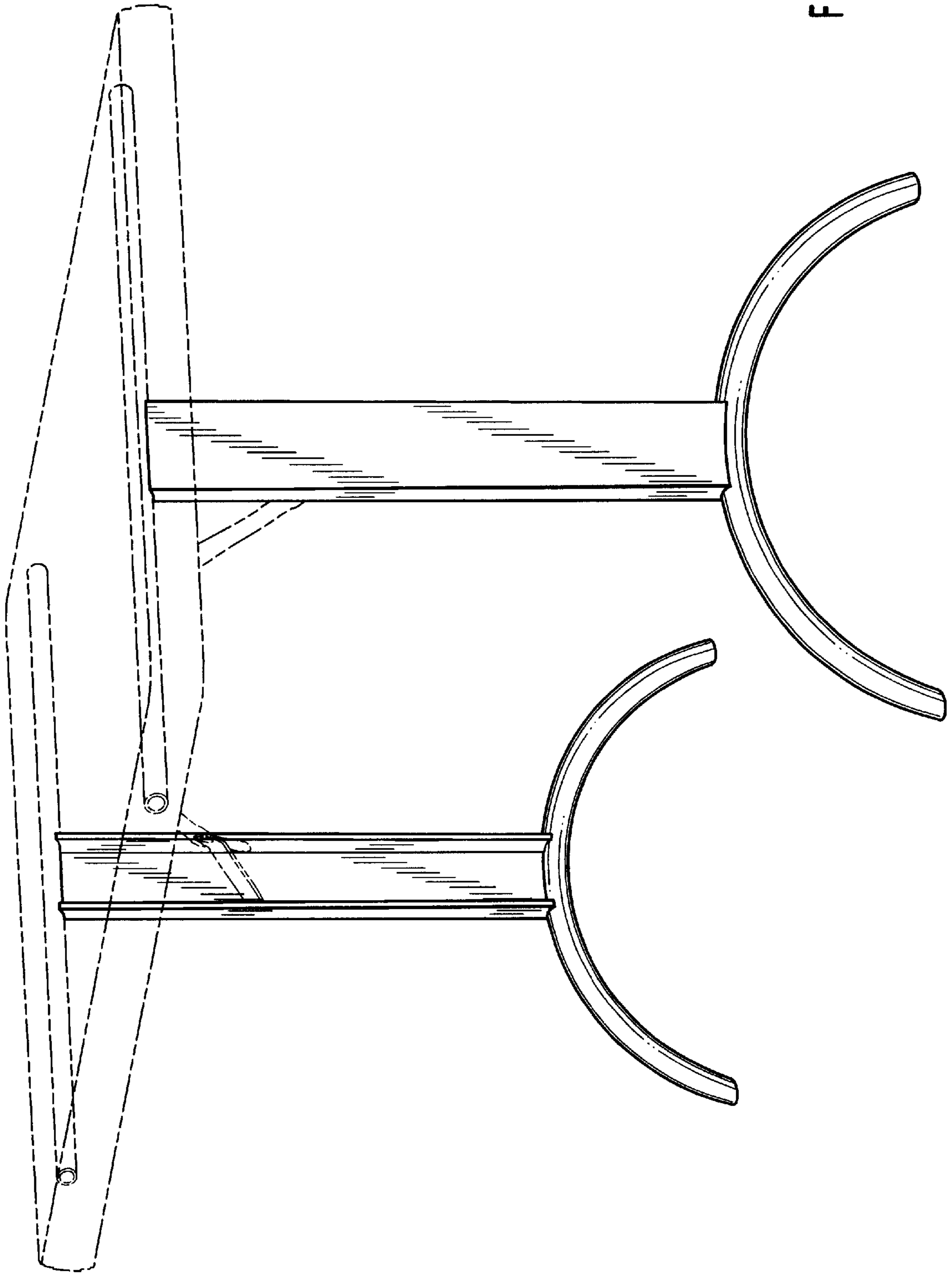


FIG. 1



FIG. 5

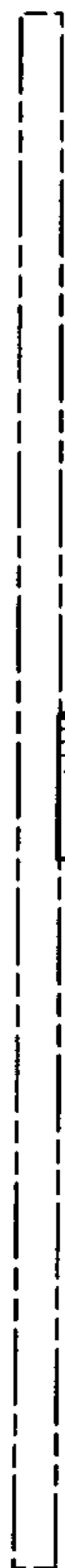


FIG. 2

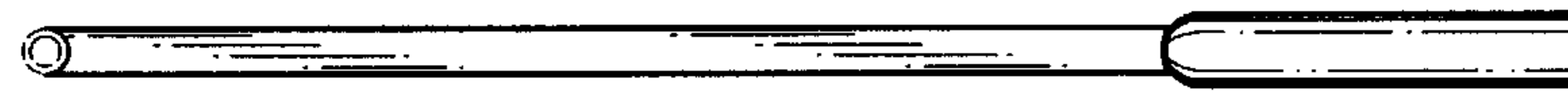


FIG. 3

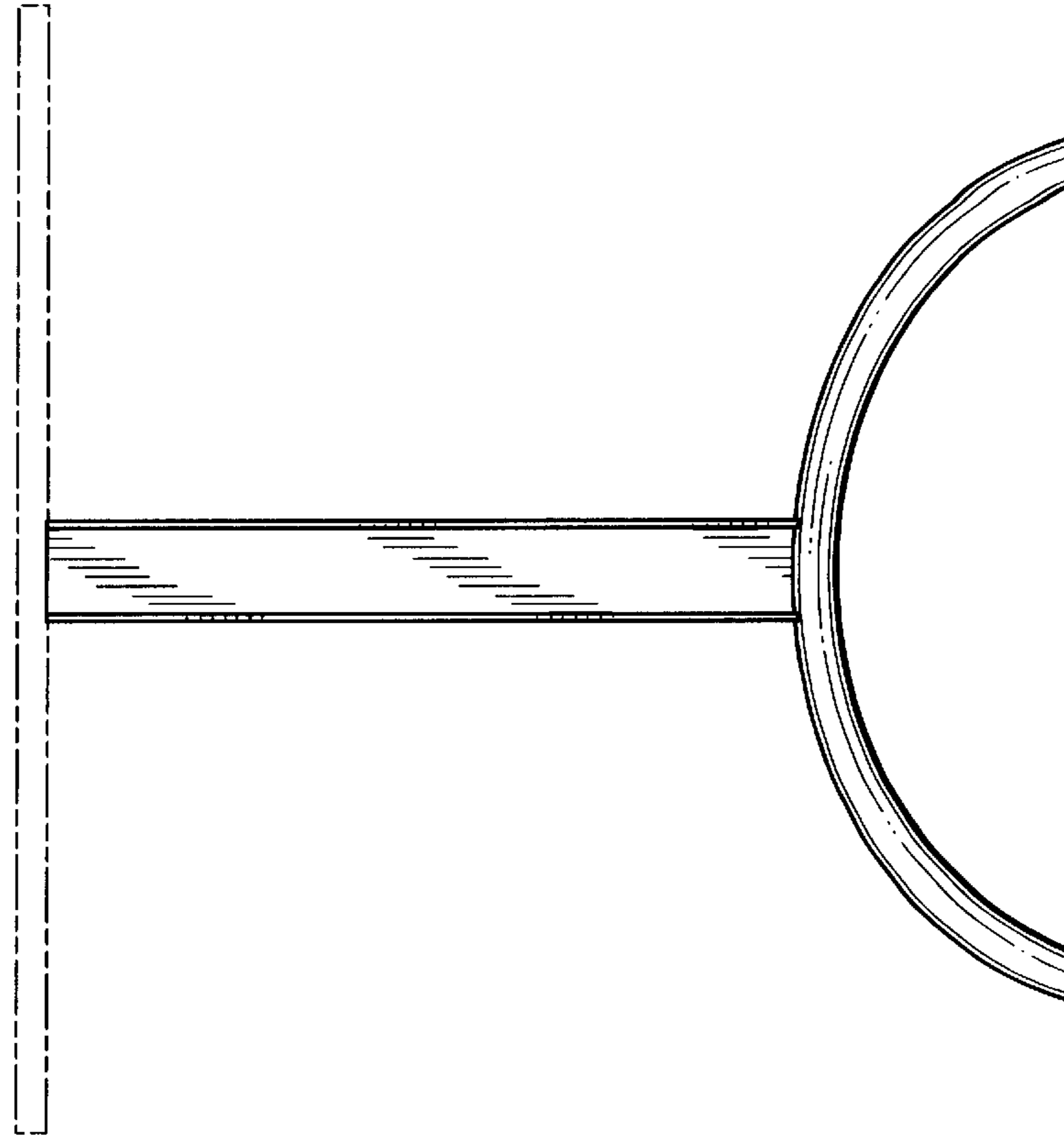


FIG. 4



FIG. 6