



US00D470693S

(12) **United States Design Patent**  
**Strong et al.**

(10) **Patent No.:** **US D470,693 S**

(45) **Date of Patent:** **\*\* Feb. 25, 2003**

(54) **PAIR OF TABLE LEGS**

(75) Inventors: **Lynn Curtis Strong**, Clearfield, UT (US); **Khamphay Thongrit**, Clinton, UT (US)

(73) Assignee: **Lifetime Products, Inc.**, Clearfield, UT (US)

(\*\*) Term: **14 Years**

(21) Appl. No.: **29/168,048**

(22) Filed: **Sep. 25, 2002**

**Related U.S. Application Data**

(62) Division of application No. 29/154,791, filed on Jan. 28, 2002.

(51) **LOC (7) Cl.** ..... **06-06**

(52) **U.S. Cl.** ..... **D6/499**

(58) **Field of Search** ..... D6/480-489, 495-499, D6/422, 429; 108/153.1, 155, 156, 157.1, 161, 115, 129, 132; 248/188, 188.1, 188.7, 188.8

(56) **References Cited**

**U.S. PATENT DOCUMENTS**

D115,103 S \* 6/1939 Erickson ..... D6/429  
D180,283 S \* 5/1957 Hoven et al. .... D6/487

D224,876 S \* 10/1972 Acton ..... D6/499  
D248,139 S \* 6/1978 Petersen ..... D6/480  
5,636,578 A \* 6/1997 Rizzi ..... 108/129

\* cited by examiner

*Primary Examiner*—Janice E. Seeger

(74) *Attorney, Agent, or Firm*—Workman, Nydegger & Seeley

(57) **CLAIM**

The ornamental design for a pair of table legs, as shown and described.

**DESCRIPTION**

FIG. 1 is a perspective view of a pair of table legs in accordance with a preferred embodiment of the present invention;

FIG. 2 is a front view of the pair of table legs shown in FIG. 1, with the back view being a mirror image thereof;

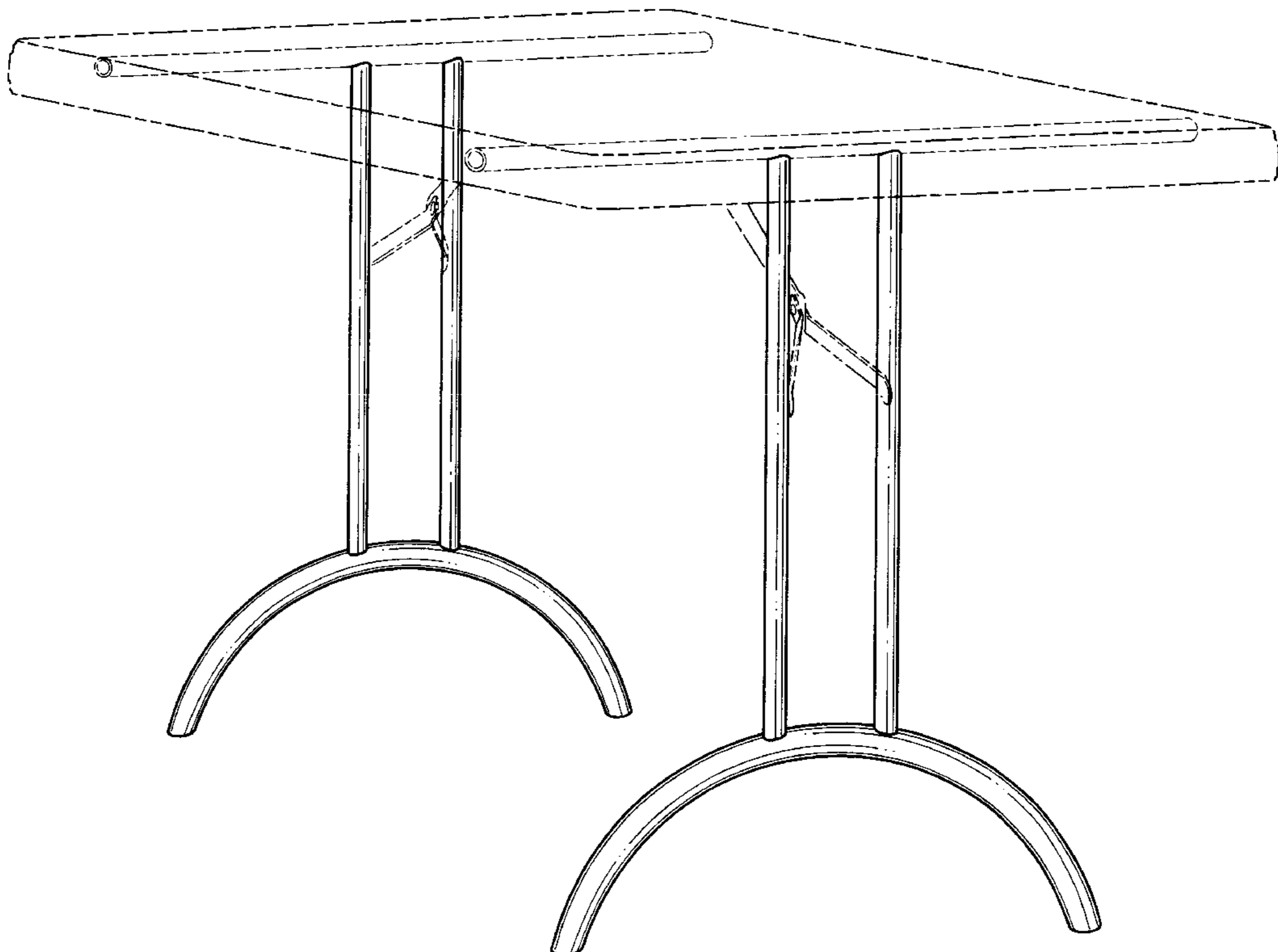
FIG. 3 is a right side view of the pair of table legs shown in FIG. 1, with the left side view being a mirror image thereof; and,

FIG. 4 is a top view of the pair of table legs shown in FIG. 1; and,

FIG. 5 is a bottom view of the pair of table legs shown in FIG. 1.

The broken lines are for environmental purposes only and form no part of the claimed design.

**1 Claim, 2 Drawing Sheets**



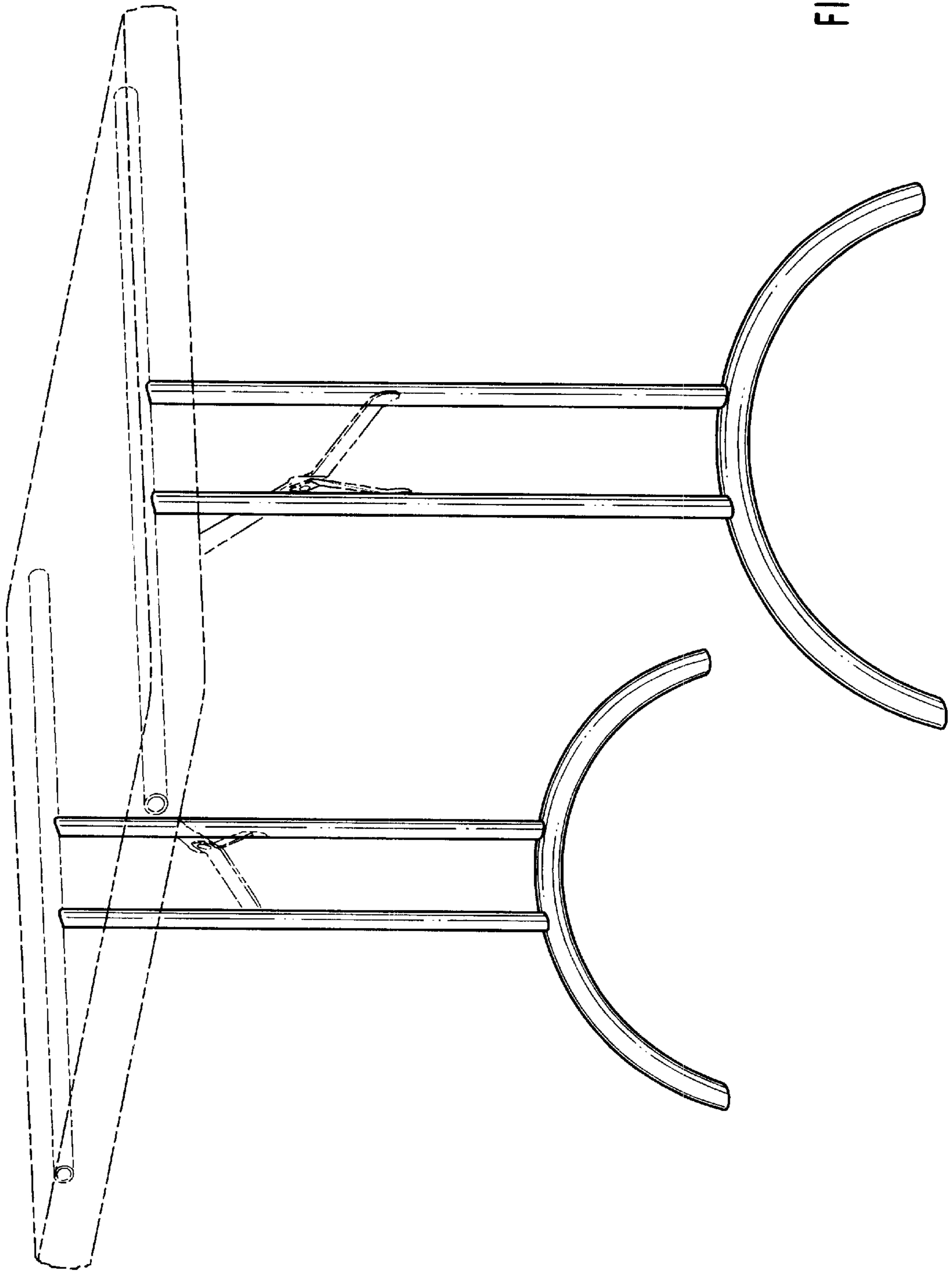


FIG. 1



FIG. 4

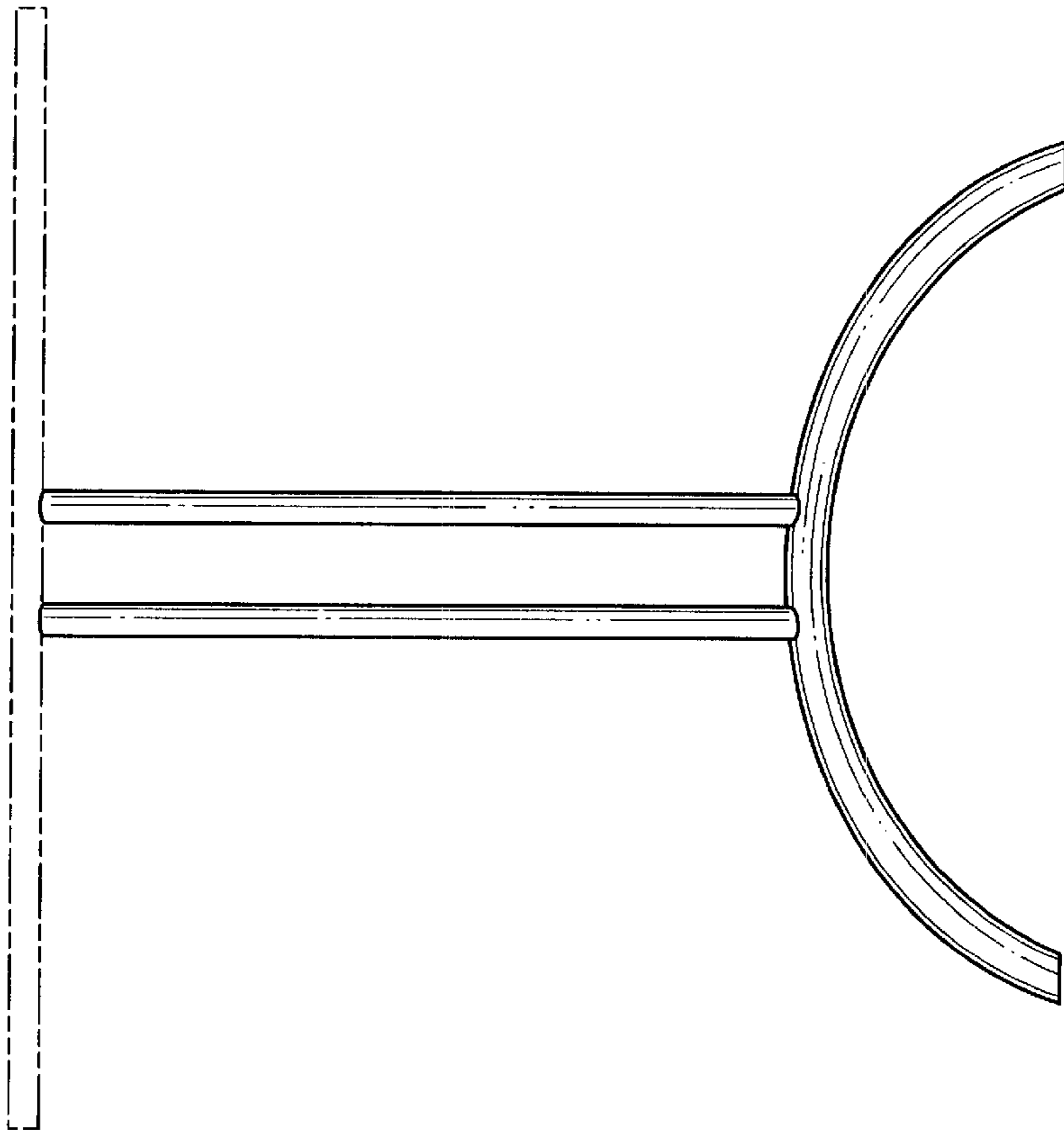


FIG. 2



FIG. 5

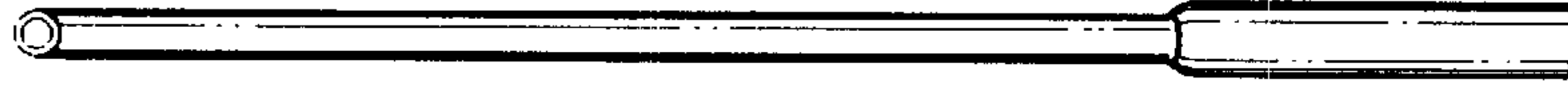


FIG. 3

UNITED STATES PATENT AND TRADEMARK OFFICE  
**CERTIFICATE OF CORRECTION**

PATENT NO. : Des. 470,693 S  
DATED : February 25, 2003  
INVENTOR(S) : Lynn Curtis Strong and Khamphay Thongrit

Page 1 of 1

It is certified that error appears in the above-identified patent and that said Letters Patent is hereby corrected as shown below:

Title page,  
**DESCRIPTION,**  
Line 8, delete "and,"

Signed and Sealed this

Twenty-ninth Day of July, 2003

A handwritten signature in black ink, appearing to read "James E. Rogan", with a horizontal line drawn underneath it.

JAMES E. ROGAN  
*Director of the United States Patent and Trademark Office*