



US00D470692S

(12) **United States Design Patent**
Strong et al.

(10) **Patent No.:** **US D470,692 S**

(45) **Date of Patent:** **** Feb. 25, 2003**

- (54) **PAIR OF TABLE LEGS**
- (75) Inventors: **Lynn Curtis Strong**, Clearfield, UT (US); **Khamphay Thongrit**, Clinton, UT (US)
- (73) Assignee: **Lifetime Products, Inc.**, Clearfield, UT (US)
- (**) Term: **14 Years**

5,421,272 A	6/1995	Wilmore	108/115
5,636,578 A *	6/1997	Rizzi	108/129
5,694,865 A	12/1997	Raab	108/161
5,732,637 A	3/1998	Raab	108/129
5,865,128 A	2/1999	Tarnay	108/133
5,868,081 A	2/1999	Raab	108/161
5,921,623 A	7/1999	Nye et al.	297/158.4
D414,626 S	10/1999	Collins et al.	D6/429
6,109,687 A	8/2000	Nye et al.	297/158.4
6,112,674 A	9/2000	Stanford	108/132

- (21) Appl. No.: **29/154,791**
- (22) Filed: **Jan. 28, 2002**
- (51) **LOC (7) Cl.** **06-06**
- (52) **U.S. Cl.** **D6/499**
- (58) **Field of Search** D6/480-489, 495-499, D6/422, 429; 108/153.1, 155, 156, 157.1, 161, 115, 129, 132; 248/188, 188.1, 188.7, 188.8

OTHER PUBLICATIONS

Palmer Snyder, The Durable Table Company, *Solid Choices Classic Plywood Laminates, New Designer Series*, 1997.
 Palmer Snyder, *The Durable Table Company, Now handling tables is child's play. ABS Plastic Folding Tables* 1998.

* cited by examiner

Primary Examiner—Janice E. Seeger
 (74) *Attorney, Agent, or Firm*—Workman, Nydegger & Seeley

(56) **References Cited**

U.S. PATENT DOCUMENTS

1,757,260 A	5/1930	Silverman	
D115,103 S *	6/1939	Erickson	D6/429
2,689,158 A	9/1954	Mahr	
3,349,728 A	10/1967	Barecki et al.	
3,357,729 A	12/1967	Krueger	
D224,876 S *	10/1972	Acton	D6/499
D239,680 S *	4/1976	Szucs	D6/422
4,191,111 A	3/1980	Emmert	108/132
4,727,816 A	3/1988	Virtue	108/91
4,827,851 A	5/1989	Diffrient	108/132
4,838,180 A	6/1989	Gutgsell	108/132
4,841,877 A	6/1989	Virtue	108/36
4,951,576 A	8/1990	Cobos et al.	108/131
5,056,439 A	10/1991	Hodge, Jr. et al.	108/34
D323,947 S	2/1992	Pomeroy et al.	D6/495
5,109,778 A	5/1992	Berkowitz et al.	108/127
5,279,233 A	1/1994	Cox	108/129
5,284,100 A	2/1994	Thorn	108/129
5,357,872 A	10/1994	Wilmore	108/35

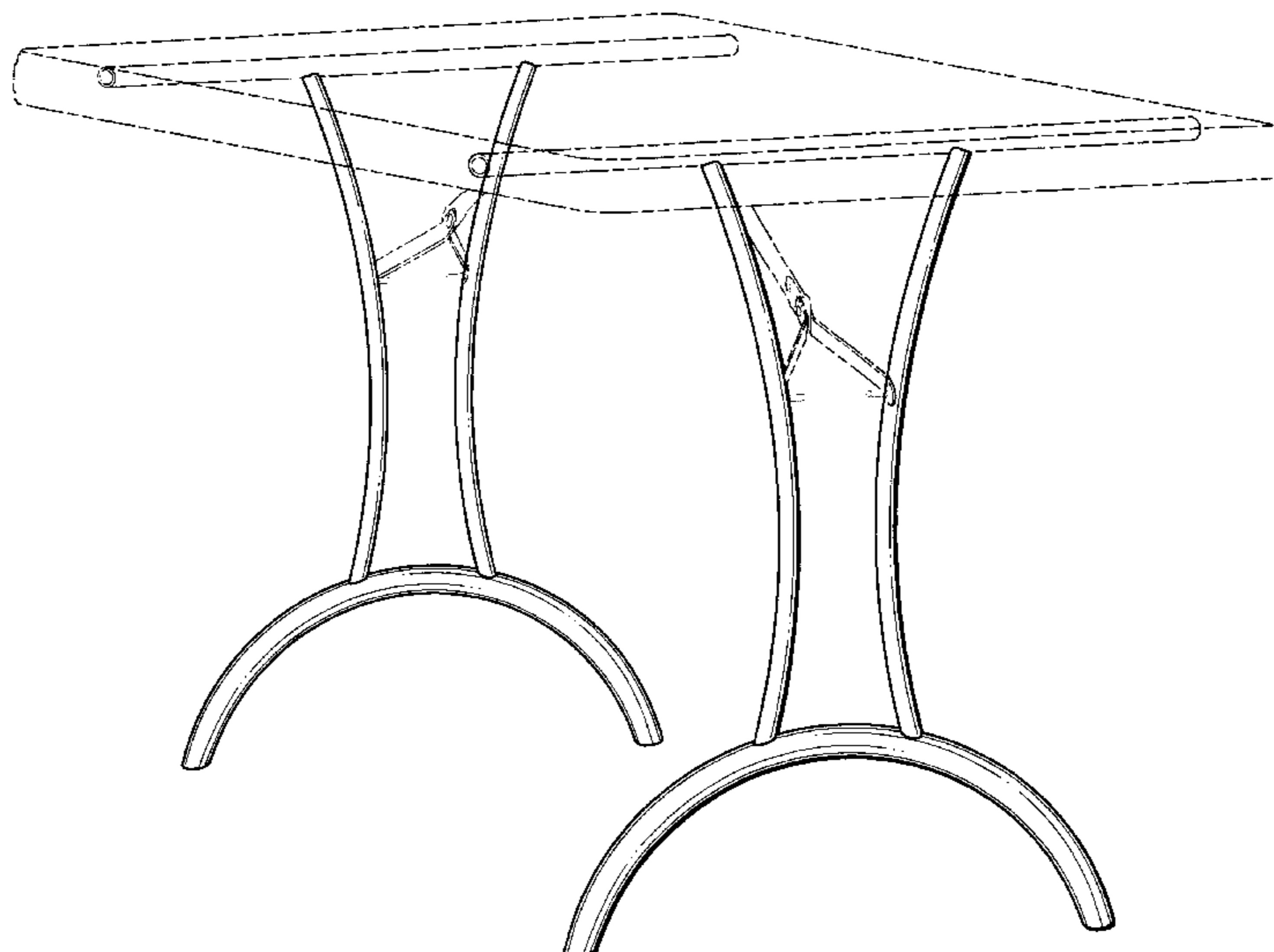
(57) **CLAIM**

The ornamental design for a pair of table legs, as shown and described.

DESCRIPTION

FIG. 1 is a perspective view of a pair of table legs in accordance with a preferred embodiment of the present invention;
 FIG. 2 is a front view of the pair of table legs shown in FIG. 1, with the back view being a mirror image thereof;
 FIG. 3 is a right side view of the pair of table legs shown in FIG. 1, with the left side view being a mirror image thereof;
 FIG. 4 is a top view of the pair of table legs shown in FIG. 1; and,
 FIG. 5 is a bottom view of the pair of table legs shown in FIG. 1.
 The broken line are for environmental purposes only and form no part of the claimed design.

1 Claim, 2 Drawing Sheets



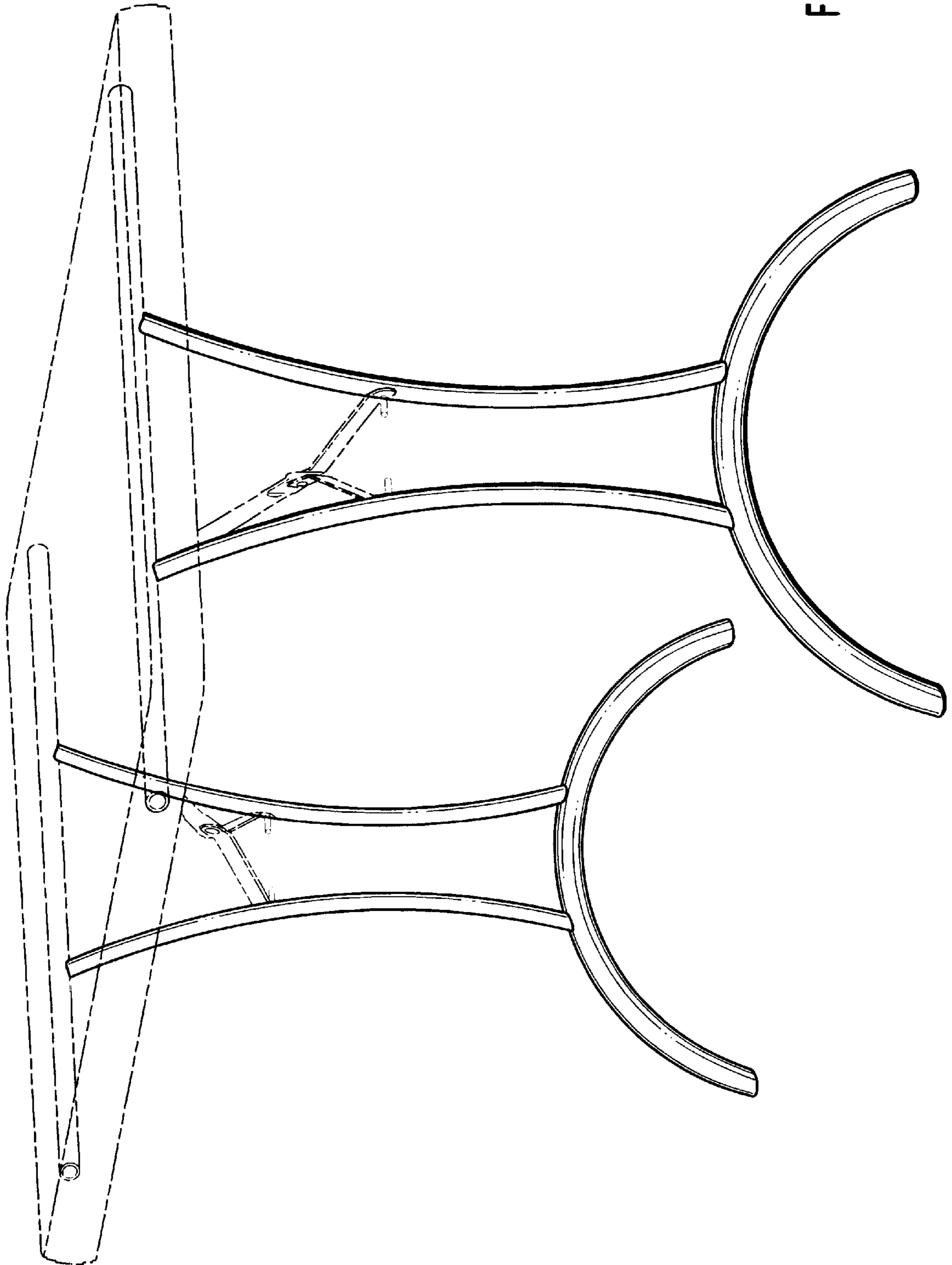


FIG. 1



FIG. 4

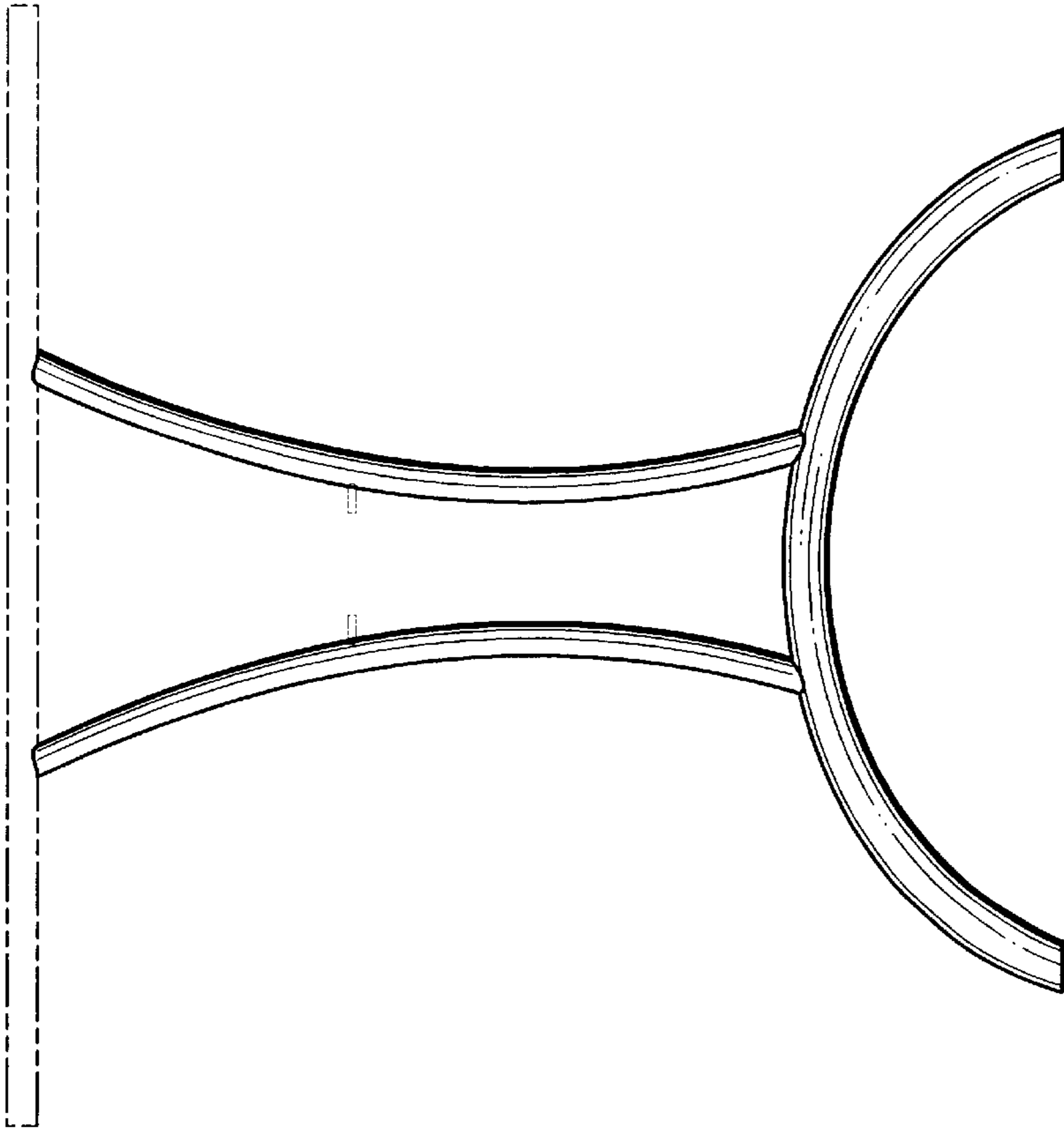


FIG. 2

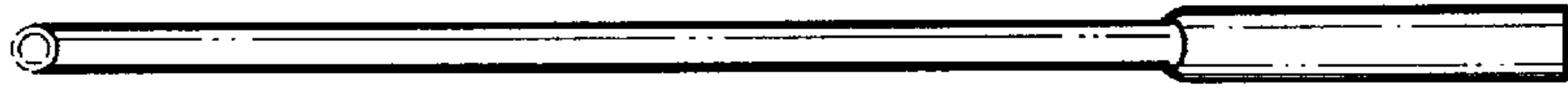


FIG. 3

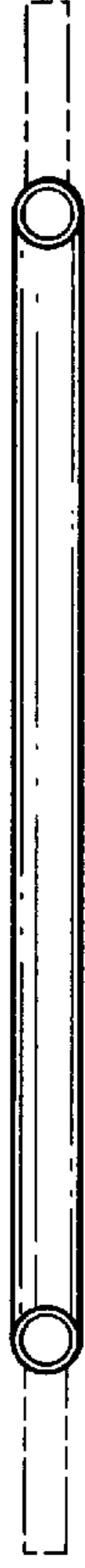


FIG. 5